

**FISHER & PAYKEL**

**COMBINATION STEAM OVEN**

---

OS76NPTX1, OS76NDTDX1, OS76NDTDB1, OS76NMTDB1,  
OS76NMTDG1

**INSTALLATION GUIDE**

**NZ AU UK IE**

**⚠ WARNING!**



**Electric Shock Hazard**

**Failure to follow this advice may result in electric shock or death.**

- Before carrying out any work on the electrical section of the appliance, it must be disconnected from the mains electricity supply.
- Connection to a good earth wiring system is absolutely essential and mandatory.
- Alterations to the domestic wiring system must only be made by a qualified electrician.

**⚠ WARNING!**



**Fire Hazard**

**Failure to follow this advice may result in overheating, burning, and injury.**

- Do not use adapters, reducers, or branching devices to connect this appliance to the mains power supply.

**⚠ WARNING!**



**Cut Hazard**

**Failure to use caution could result in injury.**

- Take care: some edges are sharp.

## SAFETY AND WARNINGS

---

### READ AND SAVE THIS GUIDE

#### **WARNING!**

To avoid hazard, follow these instructions carefully before installing or using this appliance.

- Please make this information available to the person installing the appliance—doing so could reduce your installation costs.
- This appliance must be installed and connected to the mains power supply only by a suitably qualified person according to these installation instructions and in compliance with any applicable local building and electricity regulations. Failure to install the appliance correctly could invalidate any warranty or liability claims.
- If the power supply cable is damaged, it must be replaced by the manufacturer, its service agent or similarly qualified person in order to avoid a hazard.
- Isolating switch: make sure this oven is connected to a circuit which incorporates an isolating switch providing full disconnection from the power supply in accordance with the wiring rules.
- The oven must be earthed.
- Do not use adaptors, reducers or branching devices to connect the oven to the mains electricity supply, as they can cause overheating and burning.
- The appliance must not be installed behind a decorative door in order to avoid overheating.
- Please take extra care not to damage the lower trim of the oven during installation. The trim is important for correct air circulation and allows the door to open and close without obstruction. The manufacturer does not accept any responsibility for damage resulting from incorrect installation.

---

### SAVE THESE INSTRUCTIONS

The models shown in this installation guide may not be available in all markets and are subject to change at any time. For current details about model and specification availability in your country, please go to our website [www.fisherpaykel.com](http://www.fisherpaykel.com) or contact your local Fisher & Paykel dealer.

## COMPONENTS REQUIRED

---

..... **TOOLS** .....

**Supplied**

- Powered driver
- Cross-head screwdriver

..... **PARTS** .....

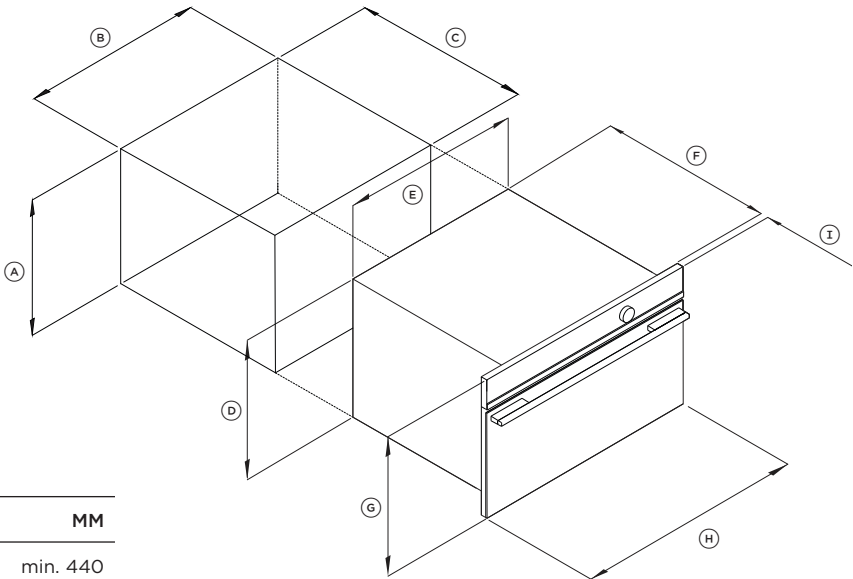
**Supplied**

- Metal side shelves fixing nut (2)
- #7x13 pan head screws (2)

## ACCESSING YOUR PRODUCT SPECIFICATIONS



For full product, cabinetry and service specifications, refer to the Planning Guide. To access the Planning Guide, scan the QR code or visit [fisherpaykel.com/specify](http://fisherpaykel.com/specify). Search by appliance type, product name or model code.



	MM
Ⓐ	min. 440
Ⓑ	min. 724
Ⓒ	min. 550
Ⓓ	435
Ⓔ	720
Ⓕ	545
Ⓖ	458
Ⓗ	760
Ⓘ	20

## PRIOR TO INSTALLATION

---

Ensure that:

- The countertop and oven cavity are square and level, and are the required dimensions.
- The installation will comply with all clearance requirements and applicable standards and regulations.
- The isolating switch will be easily accessible to the customer with the oven installed.
- The electrician provides sufficient free length of power supply cable to reach from the bottom rear of the cavity to at least 1.5m in front of the bottom edge of the opening.
- The cable may enter the cavity from the side, top or bottom, but top entry must be at the rear of the cavity.
- The oven connection socket (if fitted) is outside the cavity if the oven is flush to the rear wall.
- The oven will rest on a surface that can support its weight.
- The height from the floor suits the customer.
- You consult local building authorities and by-laws if in doubt regarding installation.

**Some environmental factors and cooking habits can cause condensation in and around the oven during use. To protect surrounding cabinetry from possible damage caused by frequent or excessive condensation, we recommend moisture-proofing the oven cabinetry.**

## SERVICES

---

- This oven must be connected to the mains power supply only by a suitably qualified person.
- This oven must be earthed.

**Before connecting the oven to the mains power supply, check that:**

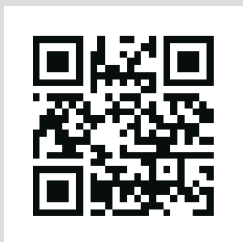
the domestic wiring system is suitable for the power drawn by the oven (as specified on the rating plate)

the voltage corresponds to the value given on the rating plate.

MODEL CODE	MAX POWER (W)	HZ	VOLTAGE (V)	AMPS (A)
OS76	2800 - 3300	50 - 60	220 - 240 V-	12.8 - 13.8

## CHECK CAVITY

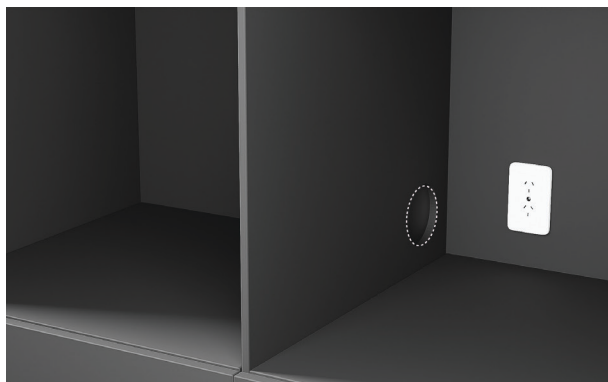
---



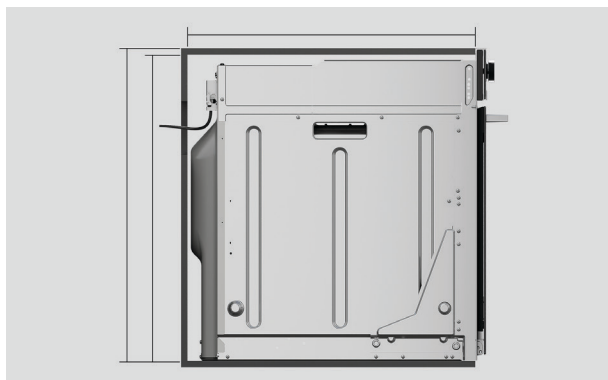
[fisherpaykel.com/specify](https://fisherpaykel.com/specify)

**1. Measure cavity dimensions.**  
Ensure all minimum specifications have been met. Refer to the planning guide for details.

For dark cabinetry, ensure clashing has been considered and installed.



**2. Ensure service access complies with local requirements.**



**3. Ensure cavity ventilation has been set up correctly.**



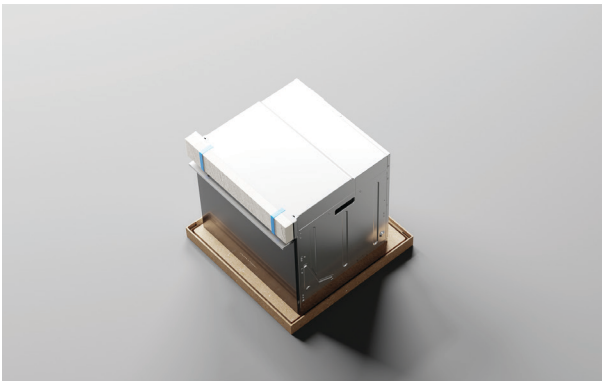
## UNPACK PRODUCT

---

- Do not lift or move the product using the door handle.
- Keep all packing materials until the unit has been inspected.
- Inspect the product to ensure there is no shipping damage. If any damage is detected contact the dealer or retailer you brought the product from to report the damage.
- Fisher & Paykel is not responsible for shipping damage.



**1.** Cut all straps and remove the carton top cap. Lift the carton sleeve and remove any transit packaging. Set aside any accessories.

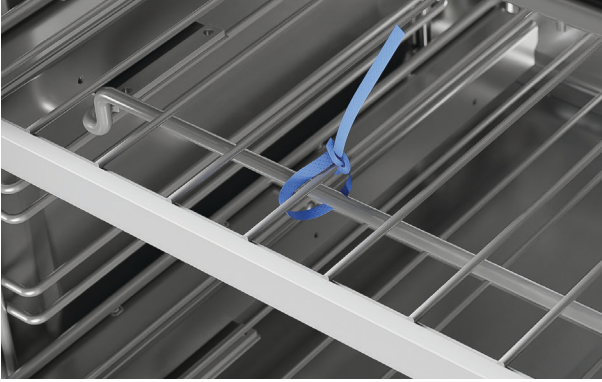


**2.** Remove all control panel packaging. The control panel can be moved manually as needed. Take care when handling.

Dispose of packaging responsibly.

## REMOVE DOOR

---



1. Open the door and remove all cable ties and packaging holding the oven shelves in place.



2. Grip the shelves at the front, making sure to hold the wire shelf and frame together. Lift upwards and pull out from the oven.

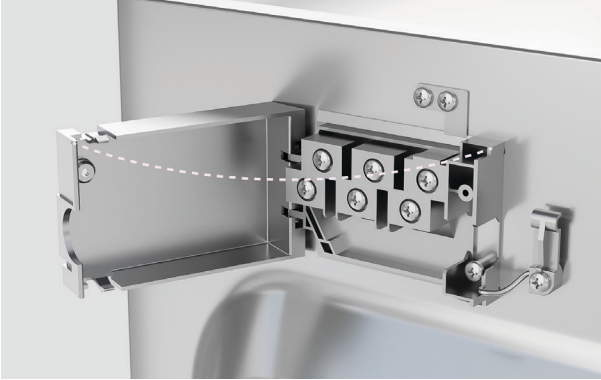


3. Locate the hinge locks on either side of the door. Push the locks upwards to release.

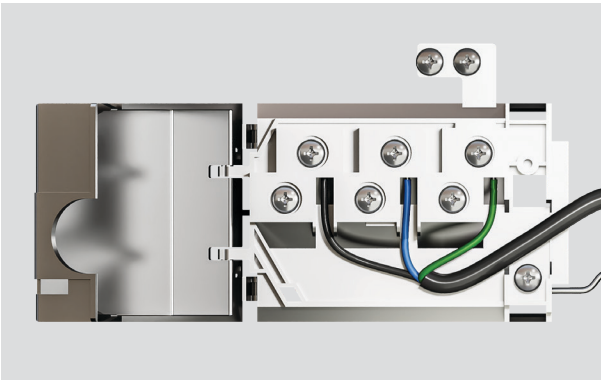
Holding the door on both sides, partially close the door and carefully pull the door away from the hinges.

## CONNECT POWER

---



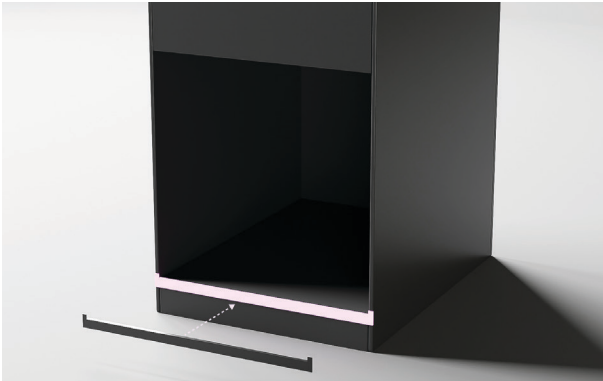
**1.** Unclip and lift cover to access terminal block.



**2.** Connect to terminal block as shown. Ensure oven is correctly Earthed and cable clamp is tightened before closing the cover.

## POSITION OVEN IN CAVITY

---



### 1. Some models only\*

For dark cabinetry, the supplied trim can be used to enhance clashing finish.

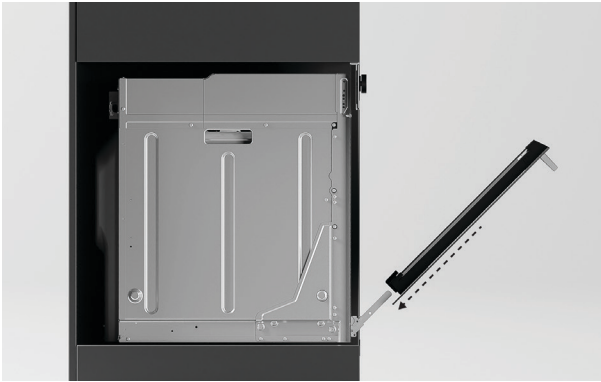
To install, remove the trim adhesive and press to secure to cavity.



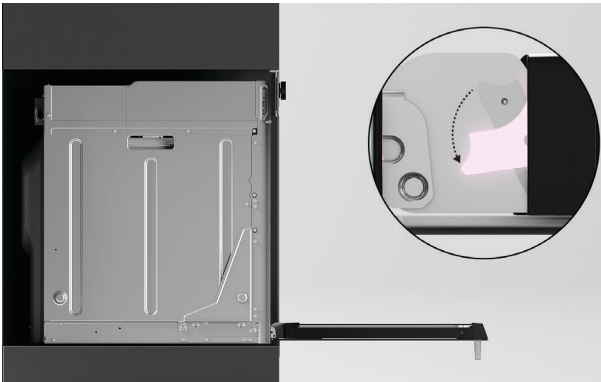
2. Ensure control panel is closed. Lift product into cavity taking care not to lift from the control panel.

\*To purchase cabinetry trim as an optional accessory, visit [fisherpaykel.com](http://fisherpaykel.com)

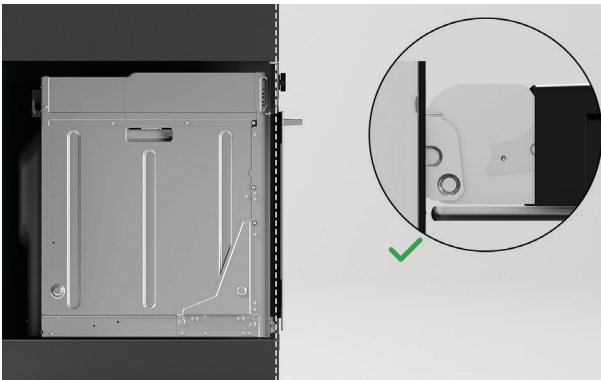
## REFIT DOOR



1. Holding the door on both sides, carefully lift door back onto the hinges



2. Open the door fully and push each locking lever down and lock into place.



3. Ensure both hinges are fully locked before shutting the door.

## ALIGN AND SECURE



1. Align oven with surrounding cabinetry and appliances.



2. Using the product as a guide, pre-drill 2 x 3mm pilot holes.



3. Secure oven to cavity using the 2 x #7x13 pan head screws provided.

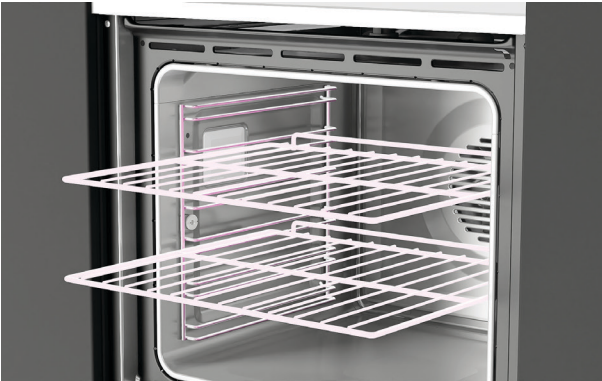
## REFIT SHELVES



### Sliding shelves

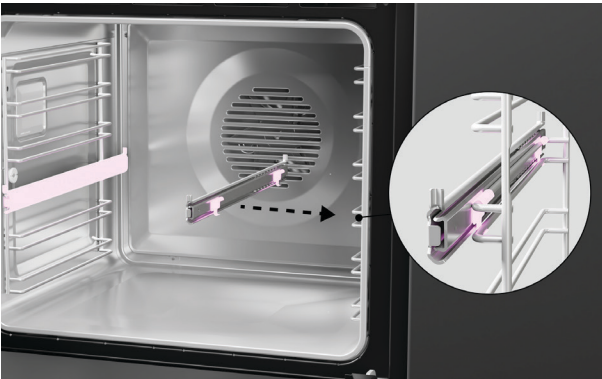
Place shelves back into the oven at the desired level.

Ensure shelves are level and correctly positioned with the guard rail at the back.



### Wire shelves

Slide shelves into the cavity.



### Clip on sliding shelf supports

Ensure the slides are positioned the correct way around, with the triangular tab at the front.

Fit the top clips over the side rack. The front clip should be fitted as close to the front of the side rack as possible. Make sure the rear clip has engaged.

Click the bottom clips into place.

## ALIGN AND SECURE

---



1. Follow the guidance on screen to ensure oven turns on and heats correctly. Refer to your User Guide for more information.



# INSTALLER CHECKLIST

---

## TO BE COMPLETED BY THE INSTALLER

- Ensure the oven is level and securely fitted to the cabinetry.
- Open the oven door slowly until it is fully open and check there is adequate clearance between the bottom of the door and the lower trim.  
This is to ensure correct air circulation. Should the lower trim become damaged, straighten the trim and ensure the oven door opens fully without obstruction.
- Ensure all internal packaging (including the circular yellow packing retainers holding the accessory box in place) is removed.
- Ensure all oven vents and openings are clear and free of any obstruction or damage.  
**Failure to make sure all oven vents are clear may result in poor product performance.**
- Ensure the isolating switch is accessible by the customer.

## Complete and keep for safe reference:

Model \_\_\_\_\_

Serial no. \_\_\_\_\_

Purchase date \_\_\_\_\_

Purchaser \_\_\_\_\_

Dealer address \_\_\_\_\_

Installer's name \_\_\_\_\_

Installer's signature \_\_\_\_\_

Installation company \_\_\_\_\_

Installation date \_\_\_\_\_



**FISHERPAYKEL.COM**

© Fisher & Paykel Appliances 2024. All rights reserved.

The models shown in this guide may not be available in all markets  
and are subject to change at any time.

The product specifications in this guide apply to the specific products and  
models described at the date of issue. Under our policy of continuous product  
improvement, these specifications may change at any time.

For current details about model and specification availability in your country,  
please go to our website or contact your local Fisher & Paykel dealer.

**432082A 10.24**