

FISHER & PAYKEL

PRELIMINARY SPECIFICATION GUIDE

INTEGRATED DISHWASHER, 60CM, SANITISE



OVERVIEW

Designed to be integrated into surrounding cabinetry for a seamless finish. Flexible storage allows for easy stacking, while a combination of clever technologies means a reliable wash performance.

MODELS

Integrated Built-under Dishwasher, 60cm, Sanitise
DW60U4HI2

SERIES & STYLE

Series 7
Contemporary

FEATURES

- ① Integrating with cabinetry for a seamless finish, this model can be installed under bench heights of 820-880mm
- ② 16 place setting capacity and easily accommodates plate sizes up to 320mm
- ③ Eight wash programs including Auto, Eco, 60 Min and Glassware cycles
- ④ Dry+, Sanitise, Half Load and Intensive wash modifiers for added flexibility
- ⑤ Fan-assisted drying with auto door opening at the end of the cycle to remove excess moisture
- ⑥ Fully flexible racking including height-adjustable middle basket and cup racks, wine glass supports, full-width utensil tray and cutlery basket
- ⑦ With internal touch controls, floor-light cycle status indicator and interior LED lighting
- ⑧ Wi-Fi capability and Smart HQ™ connectivity for remote control and notifications
- ⑨ Energy rating B*
- ⑩ Quiet wash performance, running at a low decibel rating of 42dBA**

*Energy and water ratings subject to change. Final certification pending.

**Noise levels subject to change

FISHER & PAYKEL

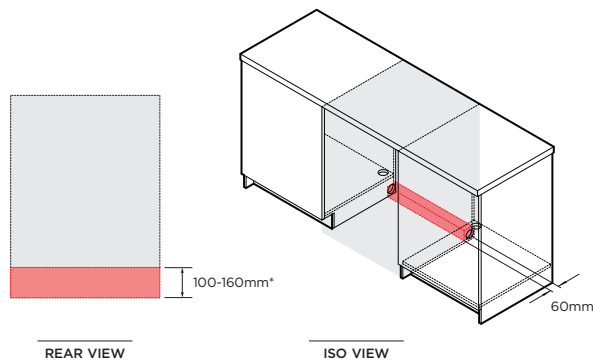
PRELIMINARY SPECIFICATION GUIDE

INTEGRATED DISHWASHER, 60CM, SANITISE

PRODUCT SPECIFICATIONS

Model No.	DW60U4HI2
Dimensions	H 820-880mm W 597mm D 554mm
Electrical	
Supply	220-240V, 50Hz
Service	10A
Receptacle	3-prong grounding-type
Plumbing	
Supply	3/4" (20mm) BSP connector water inlet hose with Aquastop
Pressure	Min 0.03 Mpa (4.35psi), Max 1 Mpa (145psi) Cold water connection @ 20°C

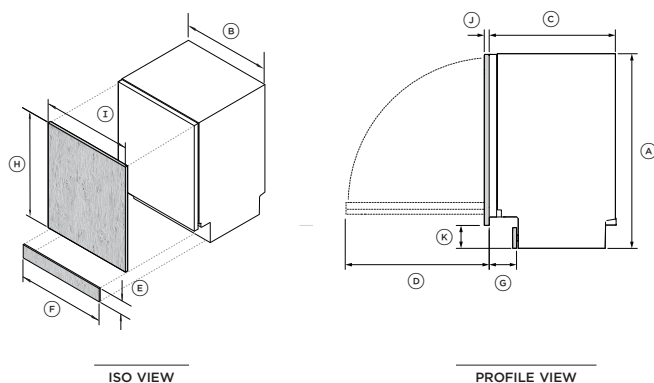
PLUMBING AND ELECTRICAL



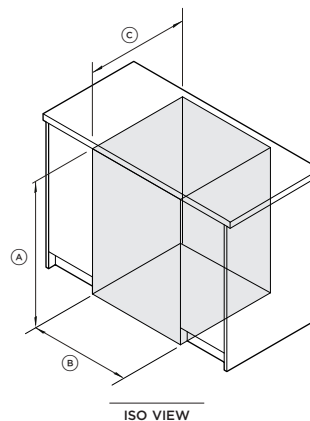
Service outlet at rear extends both sides, hoses and cords can be routed to either or both sides.

*Depending on adjustment of levelling feet.

PRODUCT DIMENSIONS



CAVITY DIMENSIONS: STANDARD INSTALLATION



	mm
(A) Overall height*	820 - 880
(B) Overall width**	597
(C) Overall depth	554
(D) Depth of open door	min. 620
(E) Height of custom toe kick panel	65 - 200
(F) Minimum width of custom toe kick panel***	min. 596
(G) Depth of toe kick recess****	50 - 120
(H) Height custom door panel	min. 677
(I) Minimum width of custom door panel	min. 596
(J) Depth of custom door panel	16 - 25
(K) Height from floor to door panel base	65 - 200

	mm
(A) Minimum overall height*	min. 820
(B) Minimum overall width	600
(C) Minimum overall depth**	min. 580

*Depending on adjustment of levelling feet

**Includes front panels (does not include handle)

* Depending on adjustment of levelling feet

** Excluding side seals

*** Continuous toe kick installations are possible

****Custom panel/toe kick panel thickness not included in these dimensions