

INTEGRATED REFRIGERATOR FREEZER, 36", ICE & WATER

PLANNING GUIDE

RS3684WRUVE1 | RS3684WLUVE1

FISHER & PAYKEL

This comprehensive Planning Guide provides you with the framework and tools to achieve your desired design outcome with Fisher & Paykel appliances. In this guide, you will find a range of conceptual, detailed, and dimensional product information to bring your ideas to life and create spaces that truly reflect your vision.

CONTENTS

CONCEPT DESIGN	PAGE	DEVELOPED AND DETAILED DESIGN	PAGE	DEVELOPED AND DETAILED DESIGN	PAGE
Specification Guide	3	Data Sheet	10	Planning Guide information for Developed and Detailed Design available in Q3 2024	
Specification Guide - Refrigerator Freezer 36"	4	RS3684WRUVE1, RS3684WLUVE1	11		
		Panel preparation	12		
Platform Overview	6				
Design Choices - Integrated Columns	7				
Accessories Overview - Door Panels, Handles	8				
Accessories Overview - Toe Kicks, Joiner Kits	9				

SPECIFICATION GUIDE



RS3684WLUVE1 - with Stainless Steel Door Panel



RS3684WRUVE1 - with Custom Door Panel

OVERVIEW

Designed to fit flush with cabinetry with minimal 1/8 inch gaps, this Integrated Refrigerator can be installed individually or paired with other Integrated models. For true design freedom, it can be installed with stainless steel or custom door panels. ActiveSmart™ Foodcare helps keep food fresher for longer, while the Variable Temperature Drawer can be adjusted to Chill, Fridge, or Pantry modes, to suit different types of food.

PRODUCTS

RS3684WRUVE1 Integrated Refrigerator Freezer, 36", Ice & Water, Right Hand Hinge
(All models can achieve opposite hinge location using the supplied parts)

RS3684WLUVE1 Integrated Refrigerator Freezer, 36", Ice & Water, Left Hand Hinge
(All models can achieve opposite hinge location using the supplied parts)

SERIES

Series 11

FEATURES

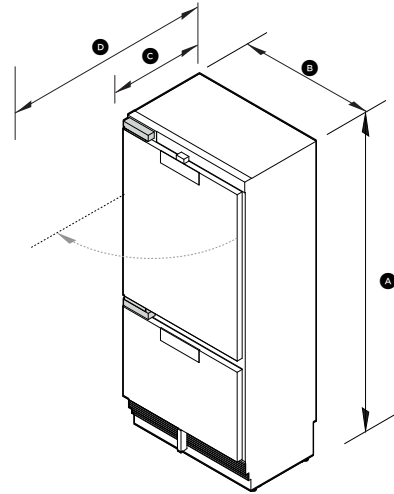
- ① Fits with stainless steel or custom door panels
- ② Independent Variable Temperature Drawer can change between Chill, Fridge, or Pantry modes to suit different foods
- ③ Flush fit with 1/8 inch gaps and custom height installation
- ④ Automatic ice maker and internal water dispenser
- ⑤ ActiveSmart™ Foodcare helps keep food fresher for longer
- ⑥ Easy to use touch-control panel and WiFi capability
- ⑦ LED-lit and adjustable cantilevered shelving
- ⑧ Stainless steel interior lining with robust hinges
- ⑨ Perfectly pairs with other integrated models for flexible configurations

The models shown in this Planning Guide may not be available in all markets and are subject to change at any time. Product specifications may vary from those shown. This Planning Guide should not be used as installation guidance for any product. Further information is required to safely and correctly install the products featured here. Specific installation guidance will be available on our website fisherpaykel.com

SPECIFICATIONS

Model No.	RS3684WRUVE1, RS3684WLUVE1
Product Dimensions	H 84" W 35 3/4" D 24"
Electrical	
Supply	115 V, 60 Hz
Service	10 A

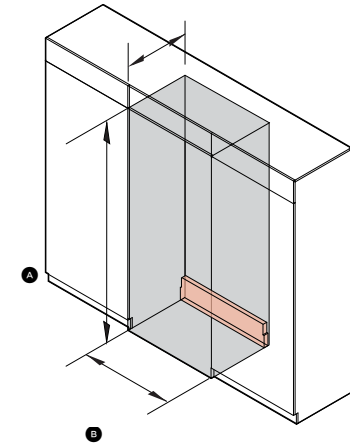
PRODUCT DIMENSIONS



	inch	mm
Ⓐ Overall height	84	2134
Ⓑ Overall width	35 3/4	908
Ⓒ Overall depth*	24	610
Ⓓ Overall depth with the door open*	61 13/16	1570
Ⓔ Overall depth with drawer open*	39 1/2	1004
Height from floor to bottom of bottom door panel**	19/32 - 5 29/32	15-150
Depth of toe kick (excl. front door and toe kick panels)**	1 31/32 - 3 15/16	50-100

*Excluding handle and door panel
 **Applies to custom door panels

CAVITY DIMENSIONS: STANDARD INSTALLATION



	inch	mm
Ⓐ Height	84	2134
Ⓑ Minimum width	36	914
Ⓒ Minimum overall cavity depth with service to the side*	25	635

Service area H 9 1/32" x W 36" x D 31/32"

*Assumes a door panel thickness of 3/4"

The models shown in this Planning Guide may not be available in all markets and are subject to change at any time. Product specifications may vary from those shown. This Planning Guide should not be used as installation guidance for any product. Further information is required to safely and correctly install the products featured here. Specific installation guidance will be available on our website fisherpaykel.com

PLATFORM OVERVIEW

①
MODELS



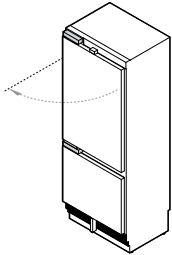
②
DOOR STYLE



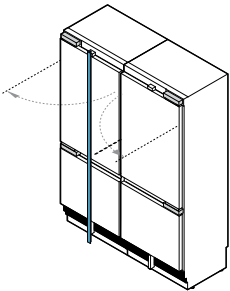
③
HANDLES



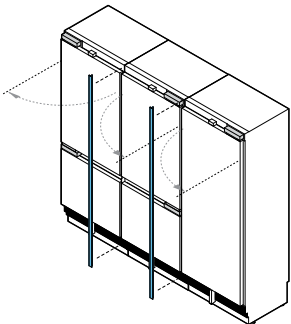
④
TOE KICK



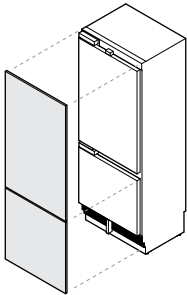
Single Installation



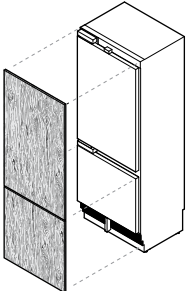
Dual Installation



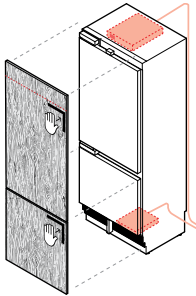
Triple Installation



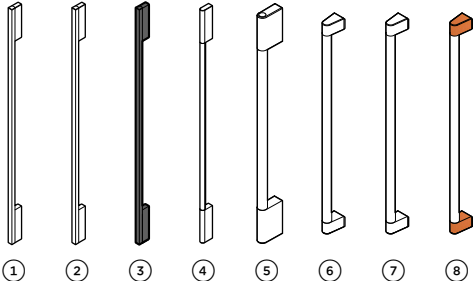
Stainless Steel Panels



Custom Door Panels



Custom Door Panels and Assisted Opening Accessory



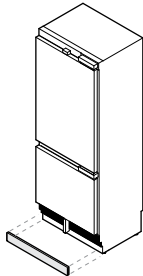
Accessory Handles



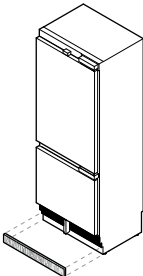
Custom Handle



No handle

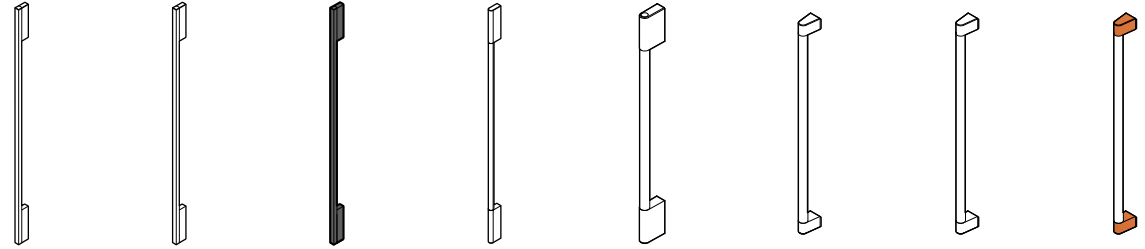
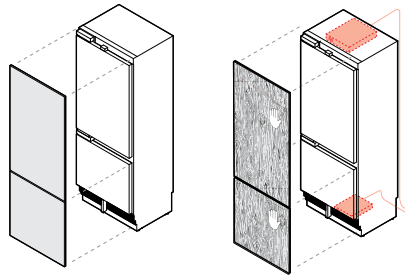


Stainless Steel Toe Kick



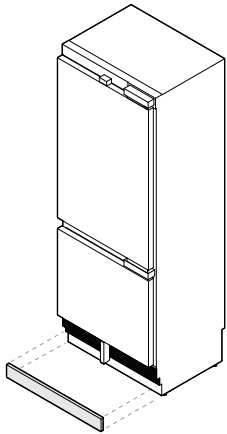
Custom Toe Kick

ACCESSORIES OVERVIEW | INTEGRATED COLUMNS

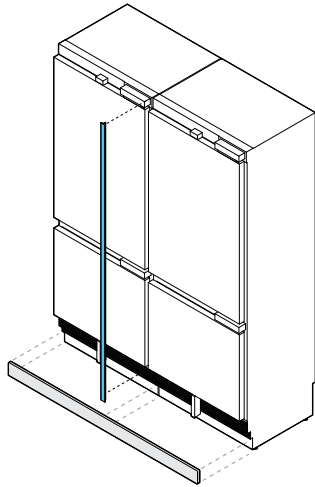


MODELS	STAINLESS STEEL DOOR PANEL	ASSISTED OPENING ACCESSORIES <small>available in Q2 2025</small>	① HANDLE SQUARE	② HANDLE SQUARE FINE	③ HANDLE SQUARE FINE BLACK	④ HANDLE ROUND	⑤ HANDLE CLASSIC	⑥ HANDLE PROFESSIONAL STAINLESS	⑦ HANDLE PROFESSIONAL BRASS	⑧ HANDLE PROFESSIONAL DARK COPPER
REFRIGERATOR/FREEZER										
① RS3684WRUVE1 - 36" - Right Hinge	RDW3684WRD	OPINIEXRSW	AHD5RD3684W	AHD5RD3684WB	AHSRD3684W	AHP3RD3684W	AHCLRD3684W	AHP3RD3684W	AHP3RD3684WBA	AHP3RD3684WDC
② RS3084WRUK1 - 30" - Right Hinge	RDW3084WRD	OPINIEXRSW	AHD5RD3084W	AHD5RD3084WB	AHSRD3084W	AHP3RD3084W	AHCLRD3084W	AHP3RD3084W	AHP3RD3084WBA	AHP3RD3084WDC
③ RS2484WRUK1 - 24" - Right Hinge	RDW2484WRD	OPINIEXRSW	AHD5RD2484W	AHD5RD2484WB	AHSRD2484W	AHP3RD2484W	AHCLRD2484W	AHP3RD2484W	AHP3RD2484WBA	AHP3RD2484WDC
④ RS3684WLUVE1 - 36" - Left Hinge	RDW3684WLD	OPINIEXRSW	AHD5RD3684W	AHD5RD3684WB	AHSRD3684W	AHP3RD3684W	AHCLRD3684W	AHP3RD3684W	AHP3RD3684WBA	AHP3RD3684WDC
⑤ RS3084WLUK1 - 30" - Left Hinge	RDW3084WLD	OPINIEXRSW	AHD5RD3084W	AHD5RD3084WB	AHSRD3084W	AHP3RD3084W	AHCLRD3084W	AHP3RD3084W	AHP3RD3084WBA	AHP3RD3084WDC
⑥ RS2484WLUK1 - 24" - Left Hinge	RDW2484WLD	OPINIEXRSW	AHD5RD2484W	AHD5RD2484WB	AHSRD2484W	AHP3RD2484W	AHCLRD2484W	AHP3RD2484W	AHP3RD2484WBA	AHP3RD2484WDC
FREEZER										
⑦ RS3084FRJK1 - 30" - Right Hinge	RD3084R4D	OPEX1	AHD5RDSF	AHD5RDSFB	AHSRDSF	AHP3RDSF	AHCLRDSF	AHP3RDSF	AHP3RDSFBA	AHP3RDSFDC
⑧ RS2484FRJK1 - 24" - Right Hinge	RD2484R4D	OPEX1	AHD5RDSF	AHD5RDSFB	AHSRDSF	AHP3RDSF	AHCLRDSF	AHP3RDSF	AHP3RDSFBA	AHP3RDSFDC
⑨ RS1884FRJK1 - 18" - Right Hinge	RD1884R4D	OPEX1	AHD5RDSF	AHD5RDSFB	AHSRDSF	AHP3RDSF	AHCLRDSF	AHP3RDSF	AHP3RDSFBA	AHP3RDSFDC
⑩ RS3084FLJK1 - 30" - Left Hinge	RD3084L4D	OPEX1	AHD5RDSF	AHD5RDSFB	AHSRDSF	AHP3RDSF	AHCLRDSF	AHP3RDSF	AHP3RDSFBA	AHP3RDSFDC
⑪ RS2484FLJK1 - 24" - Left Hinge	RD2484L4D	OPEX1	AHD5RDSF	AHD5RDSFB	AHSRDSF	AHP3RDSF	AHCLRDSF	AHP3RDSF	AHP3RDSFBA	AHP3RDSFDC
⑫ RS1884FLJK1 - 18" - Left Hinge	RD1884L4D	OPEX1	AHD5RDSF	AHD5RDSFB	AHSRDSF	AHP3RDSF	AHCLRDSF	AHP3RDSF	AHP3RDSFBA	AHP3RDSFDC
REFRIGERATOR										
⑬ RS3084SRHK1/RS3084SRK1 - 30" - Right	RD3084R4D	OPEX1	AHD5RDSF	AHD5RDSFB	AHSRDSF	AHP3RDSF	AHCLRDSF	AHP3RDSF	AHP3RDSFBA	AHP3RDSFDC
⑭ RS2484SRHK1/RS2484SRK1 - 24" - Right	RD2484R4D	OPEX1	AHD5RDSF	AHD5RDSFB	AHSRDSF	AHP3RDSF	AHCLRDSF	AHP3RDSF	AHP3RDSFBA	AHP3RDSFDC
⑮ RS3084SLHK1/RS3084SLK1 - 30" - Left Hinge	RD3084L4D	OPEX1	AHD5RDSF	AHD5RDSFB	AHSRDSF	AHP3RDSF	AHCLRDSF	AHP3RDSF	AHP3RDSFBA	AHP3RDSFDC
⑯ RS2484SLHK1/RS2484SLK1 - 24" - Left Hinge	RD2484L4D	OPEX1	AHD5RDSF	AHD5RDSFB	AHSRDSF	AHP3RDSF	AHCLRDSF	AHP3RDSF	AHP3RDSFBA	AHP3RDSFDC
WINE										
⑰ RS2484VR2K1 - 24" - Right Hinge	RD2484VR4	OPEX1	AHD5RDSF	AHD5RDSFB	AHSRDSF	AHP3RDSF	AHCLRDSF	AHP3RDSF	AHP3RDSFBA	AHP3RDSFDC
⑱ RS2484VL2K1 - 24" - Left Hinge	RD2484VL4	OPEX1	AHD5RDSF	AHD5RDSFB	AHSRDSF	AHP3RDSF	AHCLRDSF	AHP3RDSF	AHP3RDSFBA	AHP3RDSFDC

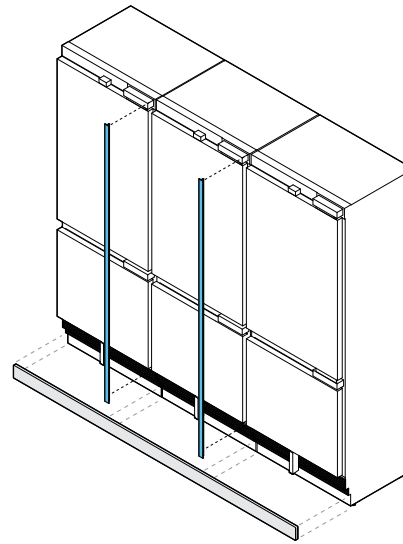
Custom door panels and toe kicks to be manufactured by joiner/cabinetmaker



Single installation
No Joiner Kit required



Dual installation
1x Joiner Kit required



Triple installation
2x Joiner Kits required

JOINER KIT INFORMATION

1x Joiner Kit (AJ-RS84LR) supplied with the following Freezer and Wine Models.

FREEZER

RS3084FRJK1, RS3084FLJK1

RS2484FRJK1, RS2484FLJK1

RS1884FRJK1, RS1884FLJK1

WINE

RS2484VR2K1, RS2484VL2K1

Additional Joiner Kits, AJ-RS84LR available

No Joiner Kit supplied with the following Refrigeration/Freezer and Refrigerator Models.

REFRIGERATOR/FREEZER

RS3684WRUVE1, RS3684WLUVE1

RS3084WRUK1, RS3084WLUK1

RS2484WRUK1, RS2484WLUK1

REFRIGERATOR

RS3084SRHK1, RS3084SLHK1, RS3084SRK1, RS3084SLK1

RS2484SRHK1, RS2484SLHK1, RS2484SRK1, RS2484SLK1

Additional Joiner Kits, AJ-RS84LR available

STAINLESS STEEL TOE KICK

MULTIPLE INSTALLATIONS JOINER KIT

SINGLE INSTALLATION

All 18" models	AKRS1804
All 24" models	AKRS2404
All 30" models	AKRS3004
All 36" models	AKRS3604

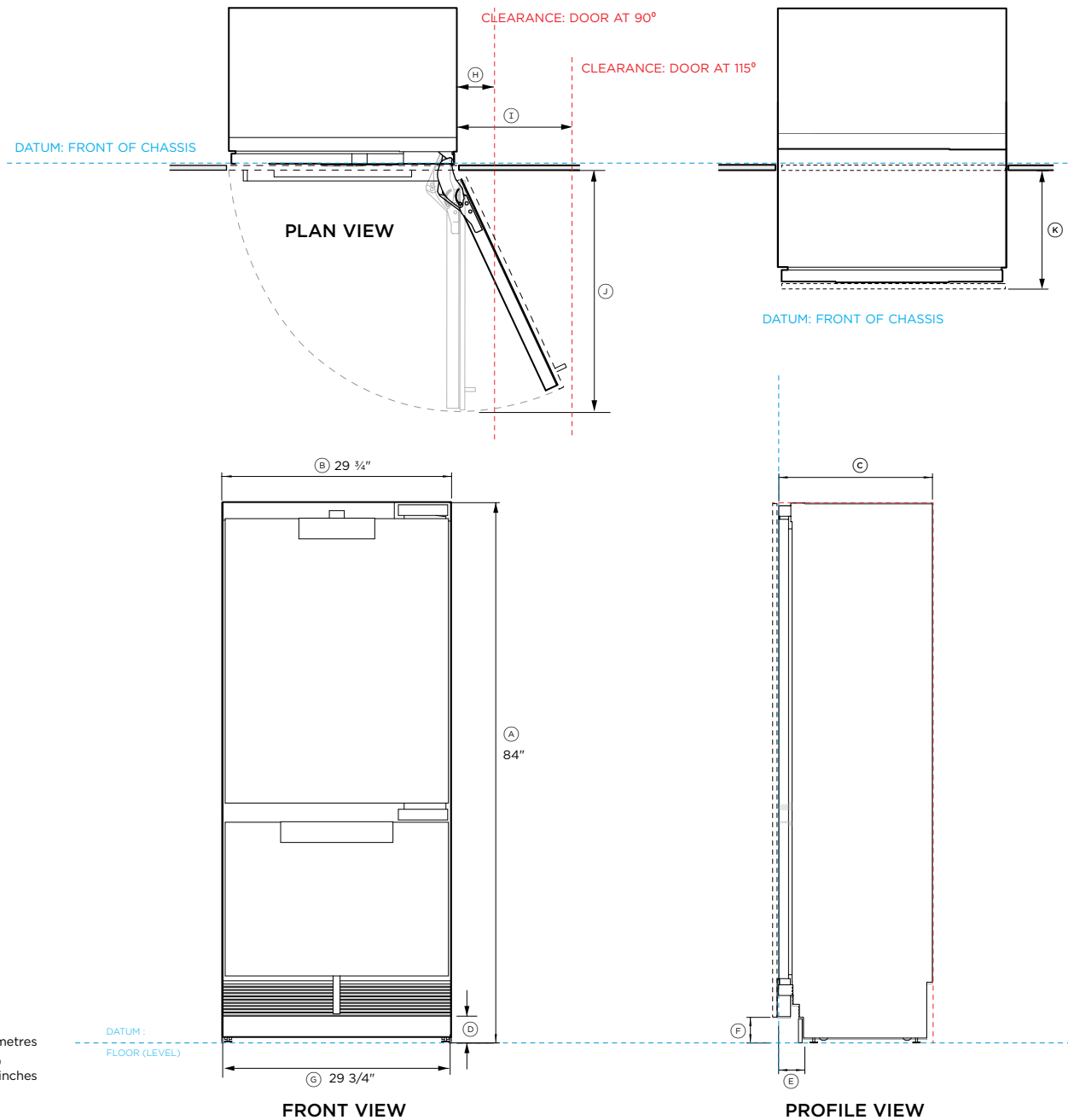
DUAL INSTALLATION

18" + 24"	AKRS4204
18" + 30"	AKRS4804
18" + 36"	AKRS5404
24" + 24"	AKRS4804
24" + 30"	AKRS5404
24" + 36"	AKRS6004
30" + 30"	AKRS6004
30" + 36"	AKRS6604
36" + 36"	AKRS7204

TRIPLE INSTALLATION

18" + 24" + 24"	AKRS6604
24" + 24" + 24"	AKRS7204
30" + 24" + 24"	AKRS7804
30" + 30" + 24"	AKRS8404

DATA SHEET



Model no:
RS3684WRUVE1, RS3684WLUVE1

Product Dimensions	in	mm
Ⓐ Overall height	84"	2134
Ⓑ Overall width	35 3/4"	908
Ⓒ Overall depth (excluding door panels)	24"	610
Ⓓ Floor to bottom of door	4"	102
Ⓔ Depth of toe-kick (excluding panels)	2 7/8 - 4"	73 - 102
Ⓕ Height of toe-kick	2 - 6"	50 - 152
Ⓖ Width of toe-kick	35 7/8"	910

Door/Drawer Opening Dimensions*

Ⓜ Minimum door clearance** to adjacent wall* (90° - reduced internal access)*	4 5/16"	110
Ⓨ Minimum door clearance** to adjacent wall* (115° - full internal access)	17 1/8"	435
Ⓣ Depth of door (90° open) measured from front of door	38 1/16"	967
Ⓚ Depth of drawer (open) measured from front of drawer *	15 3/4"	400

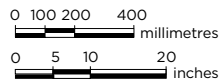
Clearance Dimensions*

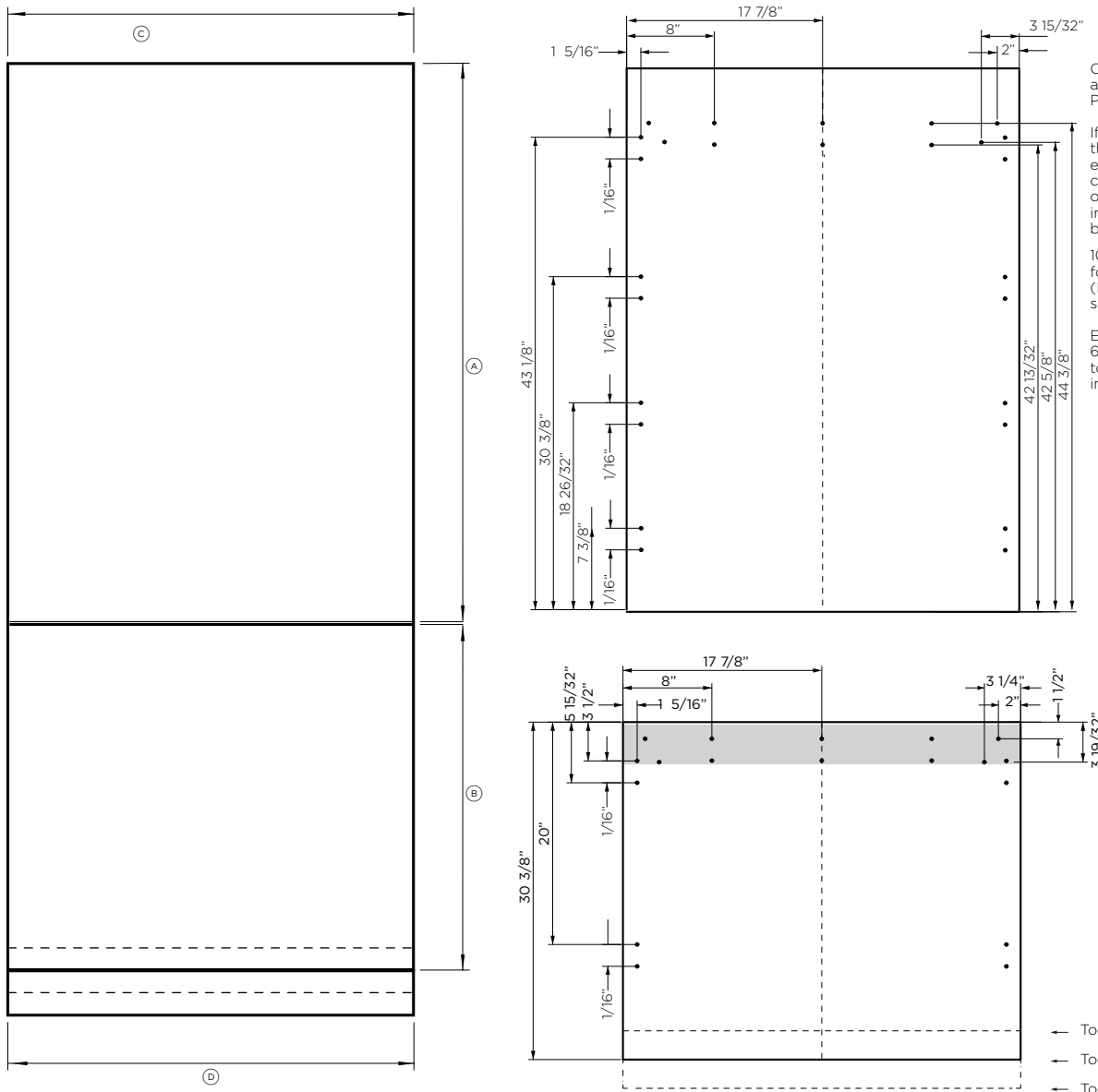
Minimum cabinetry gap clearance from edge of door panel	1/8"	3
Cavity overall height	84"	2134
Cavity overall width (single)	36"	914
Cavity overall width (double)	72"	1829
Minimum overall depth (shallow) of cavity when services are located outside of cavity****	25"	635
Minimum overall depth (deep) of cavity when services are located at rear of cavity****	25 5/8"	650

* Custom panels to be manufactured & fitted by cabinetmaker
 ** 3 15/16" (100mm) tall stainless steel toe-kick panel available. Adjust the height of the door panel accordingly
 *** Door handle kit is available as an optional accessory.
 ****Assumes a door panel depth of 3/4" (19mm).

INDICATES CABINETRY / PRODUCT DATUM -----
 INDICATES CABINETRY CLEARANCES - - - - -

IMPORTANT NOTE: Throughout this guide, dimensions may vary by ±2mm (1/16"). Please read the Installation Guide for detailed information on installing the product. For full installation instructions visit fisherpaykel.com





Cutouts in the hanging bracket are applicable for Fisher and Paykel handles only.

If locating a custom handle in the shaded area shown above, ensure handle screw heads are countersunk into the back of the door panel to avoid interference with the hanging bracket.

10x Pilot holes recommended for bracket attachment. (Do not penetrate front surface).

Ensure handle is mounted 65mm from edge of panel to the centre – this will avoid interference with bracket.

- ← Toe kick height 6"
- ← Toe kick height 4"
- ← Toe kick height 2"

Model no: RS3684WRUVE1, RS3684WLUV1

Custom Panel Dimensions		in	mm
A	Height of door panel refrigerator	49 3/8"	1254
B	Height of drawer panel freezer	28 3/8 - 32 3/8"	721 - 822
C	Width of single panel	35 3/4"	908
	Width of dual/multiple panels	35 13/16"	910
D	Width of toe-kick	35 7/8"	911
E	Toe-kick** height	2 - 6"	50 - 152**
	Panel thickness	min 3/4"	min 19mm

Clearance Dimensions*

Minimum cabinetry gap clearance from edge of door panel	1/8"	3
---	------	---

*Custom door panels, toe kick and handles to be manufactured / fitted by a cabinetmaker.**

Dimensions apply for the preparation and installation of Custom door panels.

For Dwg and Dxf files of the below panel preparation, download the folder from <http://thekitchenools.fisherpaykel.com>.

The thickness of the custom door panel can vary provided that the screws do not penetrate beyond the full depth of the door panel.

INDICATES CABINETRY / PRODUCT DATUM -----
 INDICATES CABINETRY CLEARANCES - - - - -

IMPORTANT NOTE: Throughout this guide, dimensions may vary by ±2mm (1/16"). Please read the Installation Guide for detailed information on installing the product. For full installation instructions visit fisherpaykel.com

