

60cm Series 5 Contemporary Oven, 7 Function

Series 5 | Contemporary

Black Glass



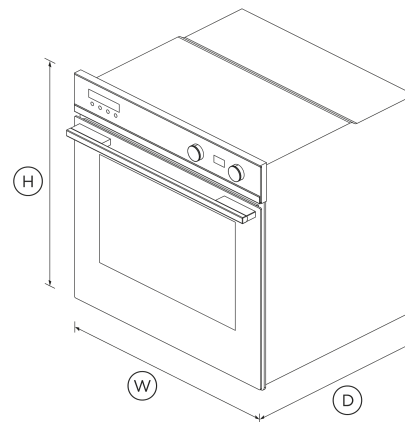
With beautiful Contemporary styling and generous capacity, this built-in oven helps to ensure that every dish you create is cooked to perfection.

- Generous 85L total capacity
- Seven oven functions including Classic Bake, Fan Forced and Grill
- With AeroTech™ technology for even heating

- Designed to match our Contemporary style appliances

DIMENSIONS

Height	598 mm
Width	597 mm
Depth	565 mm



FEATURES & BENEFITS

Multi-Function Flexibility

Each function has been perfected to ensure that no matter what you're cooking, you've got the right heat to match. This built-in oven has seven functions including Classic Bake, Grill and Pizza Bake, allowing you to use a variety of cooking styles.

Even Heating

Ideal for multi-shelf cooking, this built-in oven features AeroTech™ - a technology that circulates heat evenly.

SPECIFICATIONS

Accessories (included)

Chromed shelf runners	•
Roasting dish	1
Smokeless grill tray	1
Step down wire shelf	1
Telescopic sliding runners	1 set
Wire shelf	1

Capacity

Shelf positions	6
Total capacity	85 L
Usable capacity	72 L

Cleaning

Acid resistant graphite enamel	•
Drop down grill element	•
Removable oven door	•
Removable oven door inner glass	•
Removable shelf runners	•

Performance

ActiveVent™ system	•
Temperature range	50°C - 250°C

Power requirements

Supply voltage **220 - 240 V**

Product dimensions

Depth **565 mm**

Height **598 mm**

Width **597 mm**

SKU **84256**

The product dimensions and specifications in this page apply to the specific product and model. Under our policy of continuous improvement, these dimensions and specifications may change at any time. You should therefore check with Fisher & Paykel's Customer Care Centre to ensure this page correctly describes the model currently available. © Fisher & Paykel Appliances Ltd 2020

Other product downloads available at fisherpaykel.com

- [↓](#) 2D - DWG Oven
- [↓](#) 2D - DXF Oven
- [↓](#) ArchiCAD 23
- [↓](#) Service & Warranty
- [↓](#) Planning Guide
- [↓](#) Revit 20 Oven
- [↓](#) Rhino 6 Oven
- [↓](#) SketchUp 8 Oven

Where applicable:

All appliances use energy, and energy usage typically generates carbon emissions. **Fisher & Paykel Appliances' In-use Energy Carbon Emissions Estimate** indicates carbon emissions from a product's in-use energy. This is calculated either annually or per cycle, using the product's market-specific energy label energy consumption data multiplied by the carbon emissions factor for energy in your country or region.

Our In-use Energy Carbon Emissions Estimate is designed to assist customers in making informed purchasing decisions when comparing different Fisher & Paykel products. For example, a heat pump dryer typically has a lower In-use Energy Carbon Emissions Estimate than a vented dryer.



A PEACE OF MIND SALE
24 Hours 7 Days a Week Customer Support

T 1300 650 590 W www.fisherpaykel.com