

FISHER & PAYKEL

DATA SHEET Combination Steam Oven, 24", 23 Function

Model no:
OS24SDTDX2
(refer page 2 for metric measurements)

Product Dimensions	in
Ⓐ Overall height of oven	23 9/16"
Ⓑ Overall width of oven	23 7/16"
Ⓒ Depth of front frame (excludes dial, handle and front stainless trim)	13/16"
Ⓓ Depth of oven chassis and front frame (excludes dial, handle and front stainless trim)	22 1/4"
Ⓔ Depth of chassis	21 7/16"
Ⓕ Height of chassis	22 5/8"
Ⓖ Width of chassis	21 7/8"
Ⓗ Height from bottom datum to top of oven door	19 13/16"
Ⓘ Height from bottom datum to bottom of door	1/2"
Ⓚ Height of control panel	3 15/16"
Ⓛ Height of stainless steel cap on control panel	13/16"
Ⓜ Height from bottom datum to centerline of handle	18 1/4"
Ⓝ Width of handle	22 1/4"
Ⓞ Depth of handle (measured from front of door)	15/8"
Ⓟ Thickness of handle	5/8"
Ⓠ Depth of door when open (measured from front of door)	18 1/8"
Ⓡ Control panel fully open (measured from front of door)	6 11/16"
Ⓢ Control panel half open (measured from front of chassis)	3 5/16"
Ⓣ Water tank carriage fully open	5 1/4"

Minimum Clearances	in
Minimum inside height of cavity	22 13/16"
Minimum inside width of cavity	22 1/6"
Minimum inside depth of cavity	21 5/8"

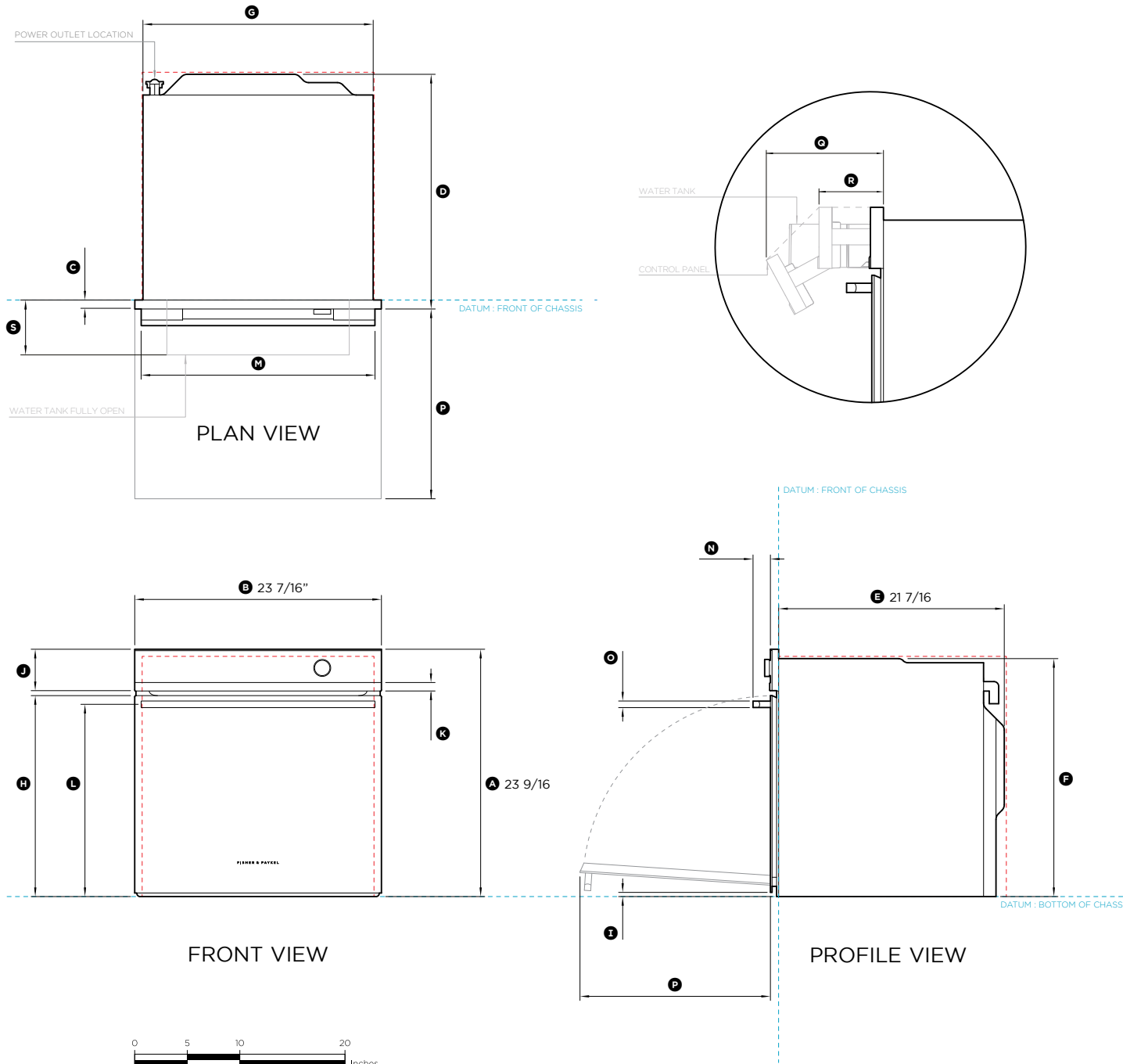
IMPORTANT NOTE: For full installation and clearance details please refer to the installation guide.

INDICATES PRODUCT DATUM -----
INDICATES CABINETRY CLEARANCES - - - - -

DATE: 22.01.2024

90002716A

IMPORTANT NOTE: Throughout this guide, dimensions may vary by ±2mm (1/16"). Please read the installation manual for detailed information on installing the product. For full installation instructions & specifications visit fisherpaykel.com



FISHER & PAYKEL

DATA SHEET

Combination Steam Oven, 24", 23 Function

Model no:

OS24SDTDX2

(refer page 1 for imperial measurements)

Product Dimensions

	mm
Ⓐ Overall height of oven	598
Ⓑ Overall width of oven	596
Ⓒ Depth of front frame (excludes dial, handle and front stainless trim)	20
Ⓓ Depth of oven chassis and front frame (excludes dial, handle and front stainless trim)	565
Ⓔ Depth of chassis	545
Ⓕ Height of chassis	575
Ⓖ Width of chassis	556
Ⓜ Height from bottom datum to top of oven door	487
Ⓢ Height from bottom datum to bottom of door	12
Ⓣ Height of control panel	100
Ⓤ Height of stainless steel cap on control panel	20
Ⓦ Height from bottom datum to centerline of handle	464
Ⓧ Width of handle	565
Ⓨ Depth of handle (measured from front of door)	42
Ⓩ Thickness of handle	16
ⓐ Depth of door when open (measured from front of door)	460
ⓑ Control panel fully open (measured from front of door)	170
ⓓ Control panel half open (measured from front of chassis)	84
ⓔ Water tank carriage fully open	133

Minimum Clearances

	mm
Minimum inside height of cavity	580
Minimum inside width of cavity	560
Minimum inside depth of cavity	550

IMPORTANT NOTE: For full installation and clearance details please refer to the installation guide.

INDICATES PRODUCT DATUM -----
INDICATES CABINETRY CLEARANCES - - - - -

DATE: 22.01.2024

90002716A

IMPORTANT NOTE: Throughout this guide, dimensions may vary by ±2mm (1/16"). Please read the installation manual for detailed information on installing the product. For full installation instructions & specifications visit fisherpaykel.com

