

487L Series 7 French Door Refrigerator Freezer, Ice & Water

Series 7 | Contemporary

Stainless Steel | French hinge

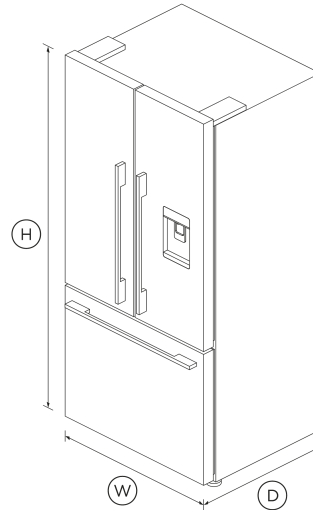


You'll have plenty of flexible storage space in this striking, large capacity French Door refrigerator freezer.

- ActiveSmart technology helps keep food fresher for longer by constantly maintaining the ideal temperature.
- Door water dispenser and internal ice maker
- Spacious bottom freezer with full extension drawer gives easy access to frozen goods.

DIMENSIONS

Height	1715 mm
Width	790 mm
Depth	695 mm



FEATURES & BENEFITS

Activesmart™ Foodcare

ActiveSmart™ Foodcare learns how you live. It's technology which understands how you use your refrigerator and adjusts temperature, airflow and humidity inside to help keep food fresher for longer.

Complementary design

With their premium handle styling and stainless steel finish, our refrigerators are designed to match the rest of Fisher & Paykel's kitchen appliance family.

Simple Storage

This refrigerator is designed to make it simple for you to store, access and remove food. Storage bins give you full access inside when they're pulled open and can be easily removed to clean. Our flexible shelving also gives you more storage options.

Easy Cleaning

No more permanent dirty marks with our EZKleen feature for stainless steel refrigerators. Anti-fingerprint coating means you simply wipe clean any marks. Spill-safe secure glass shelves easily capture any drips or leaks.

Ice Maker

Fresh ice is always available for you in a dedicated freezer bin. Simply turn it off to free up freezer space or during busy times, you can boost ice production by up to 30%.

Water On Tap

The slimline dispenser makes it easy to fill almost any sized jug or vessel with cool filtered water and doesn't take up any storage space in your fridge.

Design quality

Our fridges are designed and built using quality materials. We use real stainless steel on our fridges and solid glass for shelving.

SPECIFICATIONS

Accessories (sold separately)

Water filter replacement	847200 - FWC3
--------------------------	---------------

Capacity

Total net volume	487L
Volume freezer	142 L

Volume refrigerator **345 L**

Consumption

Energy rating **Grade 3**

Energy usage **1.17kWh/24h**

Features

Adjustable door shelves **6**
 Adjustable glass shelves **3**
 Covered door shelves **2**
 Door alarm •
 Fruit and vegetable bins **2**
 LED lighting •
 SmartTouch control panel •
 Soft close doors •
 Stackable bottle holders **4**
 Ultra slim water dispenser •

Freezer Features

Automatic ice maker •
 Bottle chill •
 Door alarm •
 Fast freeze •
 Ice bin and scoop •
 Ice Boost •

Performance

ActiveSmart™ Foodcare •
 Adaptive defrost •
 Frost free freezer •
 Humidity control system •
 Inverter controlled compressor •
 R600a refrigerant •
 Sabbath mode •

Power requirements

Connection power **240W**
 Supply voltage **230 - 240 V**

Product dimensions

Depth **695 mm**
 Depth (including handles) **735 mm**
 Height **1715 mm**
 Minimum air clearance - each side **20 mm**
 Minimum air clearance - on top **50 mm**
 Width **790 mm**

Warranty

Sealed system parts only **3 years**

SKU **25440**

The product dimensions and specifications in this page apply to the specific product and model. Under our policy of continuous improvement, these dimensions and specifications may change at any time. You should therefore check with Fisher & Paykel's Customer Care Centre to ensure this page correctly describes the model currently available. © Fisher & Paykel Appliances Ltd 2020

Other product downloads available at fisherpaykel.com

- [↓ Service & Warranty](#)
- [↓ Installation Guide !\[\]\(0cce15e73bc54c78b2c9e303050d05b7_img.jpg\)](#)
- [↓ Installation Guide](#)
- [↓ Installation Guide - Surround Kit](#)
- [↓ !\[\]\(a0f1b256963a6336dfb964def24d40b6_img.jpg\) ZH](#)
- [↓ User Guide !\[\]\(7680802c5c10edde7f44b56ca75577b8_img.jpg\)](#)
- [↓ User Guide](#)
- [↓ Installation & User Guide Refrigerator](#)

Where applicable:

All appliances use energy, and energy usage typically generates carbon emissions. **Fisher & Paykel Appliances' In-use Energy Carbon Emissions Estimate** indicates carbon emissions from a product's in-use energy. This is calculated either annually or per cycle, using the product's market-specific energy label energy consumption data multiplied by the carbon emissions factor for energy in your country or region.

Our In-use Energy Carbon Emissions Estimate is designed to assist customers in making informed purchasing decisions when comparing different Fisher & Paykel products. For example, a heat pump dryer typically has a lower In-use Energy Carbon Emissions Estimate than a vented dryer.