

**76CM BUILT-IN OVENS AND COMPANIONS
PROFESSIONAL**

PLANNING GUIDE

SERIES 9 & 11

DOUBLE OVEN | OB76DPPTX1

OVEN | OB76SPPTX1

STEAM OVEN | OS76NPTX1

SPEED OVEN | OM76NPTX1

BUILT-IN COFFEE MAKER | EB76PSX1

WARMING DRAWER | WB76SPEX1

FISHER & PAYKEL

This comprehensive Planning Guide provides you with the framework and tools to achieve your desired design outcome with Fisher & Paykel appliances. In this guide, you will find a range of conceptual, detailed and dimensional product information to bring your ideas to life and create spaces that truly reflect your vision.

CONTENTS

CONCEPT DESIGN	PAGE	DEVELOPED AND DETAILED DESIGN	PAGE	DEVELOPED AND DETAILED DESIGN	PAGE
Design Choices		Data Sheets		Planning Considerations	
Ovens and Companions - ALL MODELS	4	Double Oven	17	Cabinetry Preparation - ALL MODELS	24
Configurations - ALL MODELS	5	Oven	18	Configurations - ALL MODELS	25
Overview - ALL MODELS	6	Built-in Coffee Maker	19	Double Oven	26
		Combination Steam Oven	20	Oven	27
Specification Guides		Combination Microwave Oven	21	Built-in Coffee Maker	28
Double Oven	8	Warming Drawer	22	Combination Steam Oven	30
Oven	9			Combination Microwave Oven	31
Built-in Coffee Maker	10			Warming Drawer	32
Combination Steam Oven	11				
Combination Microwave Oven	12			Services	
Warming Drawer	13			Power Cord Length and Location - COMPANIONS	34
Dimensions - ALL MODELS	14			Power Cord Length and Location -	
Power, Weight and Capacity - ALL MODELS	15			STEAM + MICROWAVE	35
				Power Cord Length and Location - OVENS	36

The models shown in this Planning Guide may not be available in all markets and are subject to change at any time. Product specifications may vary from those shown. This Planning Guide should not be used as installation guidance for any product. Further information is required to safely and correctly install the products featured here. Specific installation guidance will be available on our website fisherpaykel.com

DESIGN CHOICES

OVENS

COMPANIONS

INSTALLATION OPTIONS

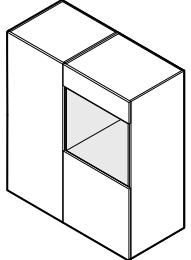
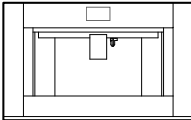
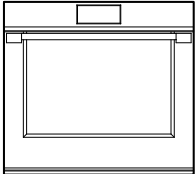
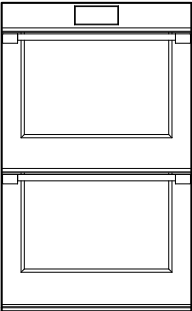
OVEN

COMBINATION STEAM

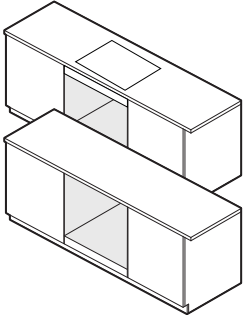
COMBINATION MICROWAVE

BUILT-IN COFFEE MAKER

WARMING DRAWER



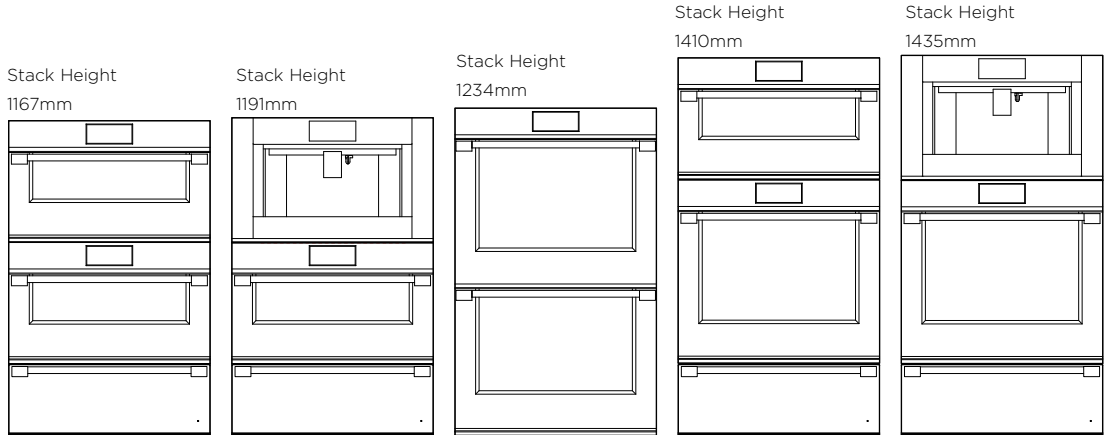
INSTALLATION IN WALL



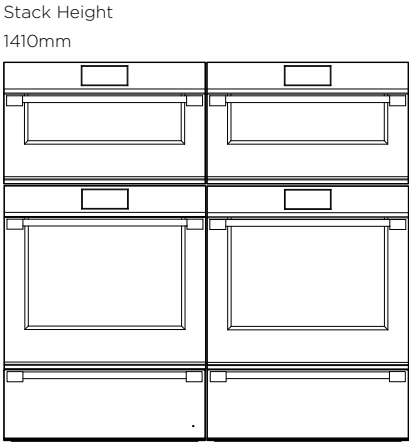
INSTALLATION UNDER-BENCH

The models shown in this Planning Guide may not be available in all markets and are subject to change at any time. Product specifications may vary from those shown. This Planning Guide should not be used as installation guidance for any product. Further information is required to safely and correctly install the products featured here. Specific installation guidance will be available on our website fisherpaykel.com

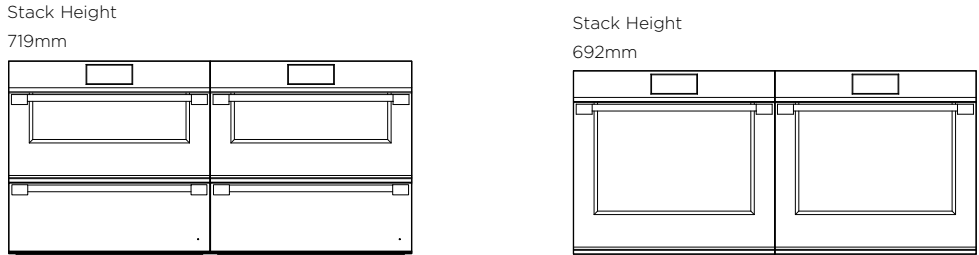
STACKED INSTALLATION



GRID INSTALLATION



ROW INSTALLATION

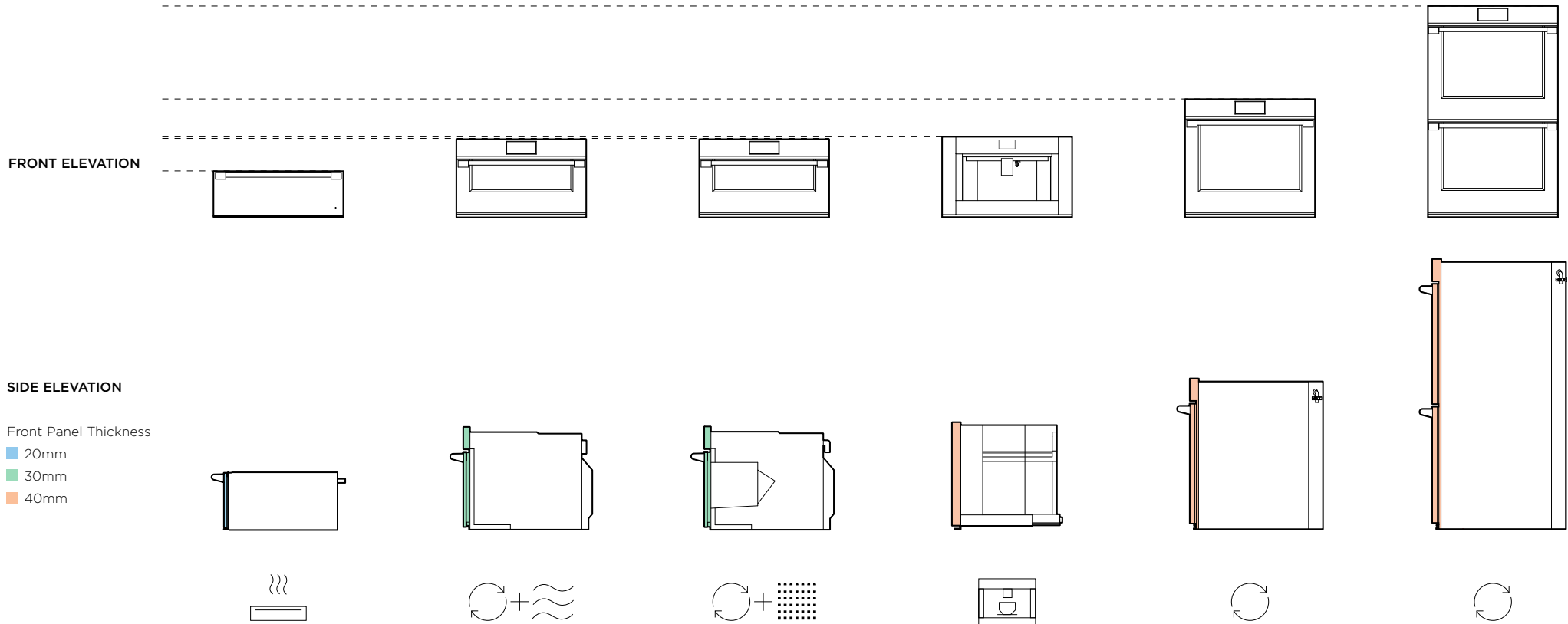


CONSIDERATIONS

Different configurations possible, consider heights for row and grid installations.

Note: Stack Height is overall product height with minimum clearance above appliance front panel to upper cabinetry front panel or appliance.

The models shown in this Planning Guide may not be available in all markets and are subject to change at any time. Product specifications may vary from those shown. This Planning Guide should not be used as installation guidance for any product. Further information is required to safely and correctly install the products featured here. Specific installation guidance will be available on our website fisherpaykel.com



WARMING DRAWER

COMBINATION MICROWAVE OVEN

COMBINATION STEAM OVEN

BUILT-IN COFFEE MAKER

OVEN

DOUBLE OVEN

Series	Series 9	Series 9	Series 9	Series 9	Series 9	Series 9
Model Code	WB76SPEX1	OM76NPTX1	OS76NPTX1	EB76PSX1	OB76SPPTX1	OB76DPPTX1
Interface	-	5" Touchscreen	5" Touchscreen	4.3" Touchscreen	5" Touchscreen	5" Touchscreen
Height	271mm	458mm	458mm	470mm	689mm	1232mm
Front Panel Thickness	20mm	30mm	30mm	40mm	40mm	40mm

The models shown in this Planning Guide may not be available in all markets and are subject to change at any time. Product specifications may vary from those shown. This Planning Guide should not be used as installation guidance for any product. Further information is required to safely and correctly install the products featured here. Specific installation guidance will be available on our website fisherpaykel.com

SPECIFICATION GUIDE

SERIES 9 & 11



OVERVIEW

Complete your Professional-style kitchen with this 76cm Double Oven. It matches perfectly with any of our Professional kitchen appliances to deliver the feel of a commercial kitchen in the home. Intuitive controls and the performance to deliver perfect results make this double oven beautiful to use.

PRODUCTS

OB76DPPTX1

Double Oven, 76cm, 17 Function, 115L + 115L, Touchscreen, Stainless Steel

SERIES & STYLE

Series 9
Professional

FEATURES

- ① Designed to fit flush with cabinetry
- ② Designed to match the rest of Fisher & Paykel's Professional style family of appliances
- ③ Generous 115L per oven, 230L total capacity
- ④ High-resolution, user-friendly 5" touch display
- ⑤ Guided cooking and recipes
- ⑥ Perfect results from a variety of oven functions
- ⑦ Even heat distribution throughout with AeroTech™ technology
- ⑧ Self-cleaning
- ⑨ CoolTouch door
- ⑩ Wi-Fi/Connected capability through the SmartHQ™ app

ACCESSORIES

- ① Full Extension Sliding Shelves*
- ② Self-cleaning-proof side racks*
- ③ Roasting dish, tray and rack*
- ④ Wired Temperature Sensor*

*Included with product

The models shown in this Planning Guide may not be available in all markets and are subject to change at any time. Product specifications may vary from those shown. This Planning Guide should not be used as installation guidance for any product. Further information is required to safely and correctly install the products featured here. Specific installation guidance will be available on our website fisherpaykel.com



OVERVIEW

Complete your Professional-style kitchen with this 76cm Oven. It matches perfectly with any of our Professional kitchen appliances to deliver the feel of a commercial kitchen in the home. With intuitive controls and the performance to deliver perfect results, this oven is beautiful to use.

PRODUCTS

OB76SPPTX1

Oven, 76cm, 17 Function, 115L, Touchscreen, Stainless Steel

SERIES & STYLE

Series 9
Professional

FEATURES

- ① Designed to match the rest of Fisher & Paykel's Professional style family of appliances
- ② Generous 115L total capacity
- ③ Intuitive, large 5" touchscreen display with illuminated dial
- ④ Guided cooking and recipes
- ⑤ Perfect results from a variety of oven functions
- ⑥ Even heat distribution throughout with AeroTech™ technology
- ⑦ Self-cleaning
- ⑧ CoolTouch door
- ⑨ Wi-Fi/Connected capability through the SmartHQ™ app



ACCESSORIES

- ① Full Extension Sliding Shelves*
- ② Self-cleaning-proof side racks*
- ③ Roasting dish, tray and rack*
- ④ Wired Temperature Sensor*

*Included with product

The models shown in this Planning Guide may not be available in all markets and are subject to change at any time. Product specifications may vary from those shown. This Planning Guide should not be used as installation guidance for any product. Further information is required to safely and correctly install the products featured here. Specific installation guidance will be available on our website fisherpaykel.com



OVERVIEW

Designed to complement our Professional style oven and warming drawer, this built-in coffee maker seamlessly integrates into any kitchen design with a stylish stainless steel finish. Beautiful to use, it has an intuitive touch display with 13 different beverage options to suit individual taste and selection - from Espresso to Latte. Pair with other companion products to create a kitchen suite for every need.

PRODUCTS

EB76PSX1

Built-in Coffee Maker, 76cm, 4.3" Touchscreen, Stainless Steel

Note: The models shown in this guide may not be available in all markets and are subject to change at any time.

SERIES & STYLE

Series 9
Professional

FEATURES

- ① Part of our suite of companion products, designed to match aesthetically for flexible configurations
- ② Pairs perfectly with the Professional style 76cm Oven and Warming Drawer
- ③ Intuitive touch display for ease of use
- ④ 13 beverage options to suit individual taste and selection - from Americano to Latte
- ⑤ Personalized coffee and smart self-learning menu preferences
- ⑥ Stainless steel conical burr grinder with 13 grind coarseness positions
- ⑦ Self-cleaning function, with a removable drip tray and waste container
- ⑧ 2.5L water tank capacity
- ⑨ 15 bar pump pressure
- ⑩ Adjustable coffee strength, temperature and coffee cup sizes

ACCESSORIES

- ① Thermal milk jug*
- ② Extractable steam outlet*
- ③ Coffee spoon*
- ④ Descaling agent and water filter*

*Included with product



The models shown in this Planning Guide may not be available in all markets and are subject to change at any time. Product specifications may vary from those shown. This Planning Guide should not be used as installation guidance for any product. Further information is required to safely and correctly install the products featured here. Specific installation guidance will be available on our website fisherpaykel.com



OVERVIEW

With striking Professional styling, the Combination Steam Oven fits seamlessly into any kitchen. As a companion product, this Steam Oven is designed to install easily and fit perfectly with other companion products. It features 23 functions, including steam-only, convection-only, or a combination of both. Reduce the need for oils and fats with six standalone steam functions, perfect for creating flavourful and healthy restaurant-quality meals at home.

PRODUCTS

OS76NPTX1

Combination Steam Oven, 76cm, 23 Function

SERIES & STYLE

Series 9

Professional

ACCESSORIES

- ① Full Extension Sliding Shelf*
- ② Wire Shelf*
- ③ Flat Brushed Baking Tray*
- ④ Roasting Dish*
- ⑤ Grill Rack*

FEATURES

- ① Professional style, designed to fit flush with cabinetry
- ② Generous 55L total capacity with four shelf positions
- ③ Intuitive, large 5" touchscreen display
- ④ 23 oven functions including Steam, Sous Vide, Air Fry and Crisp Regenerate
- ⑤ Guided touchscreen cooking makes it simple to cook by food, function or recipe
- ⑥ Moisture control and even heat distribution thanks to ActiveVent and AeroTech™ technology
- ⑦ 1.4L water tank
- ⑧ Wi-Fi enabled and works with the SmartHQ™ app for remote control and notifications
- ⑨ Steam Clean function ensures a spotless oven with minimal effort
- ⑩ Soft open and close door

ACCESSORIES

- ⑥ Perforated Large Steam Dish*
- ⑦ Perforated Small Steam Dish*
- ⑧ Large Steam Dish*
- ⑨ Wired Temperature Sensor*
- ⑩ Catalytic Panel*
- ⑪ Descale solution* - 2 sachets (Part 580925)

*Included with product

The models shown in this Planning Guide may not be available in all markets and are subject to change at any time. Product specifications may vary from those shown. This Planning Guide should not be used as installation guidance for any product. Further information is required to safely and correctly install the products featured here. Specific installation guidance will be available on our website fisherpaykel.com



OVERVIEW

With striking Professional styling, the Combination Microwave Oven fits seamlessly into any kitchen. As a companion product, this Microwave Oven is designed to install easily and fit perfectly with other companion products such as the Combination Steam Oven. A flexible appliance that pairs the speed of microwave cooking with oven technology, which can crisp and brown as it cooks. Featuring 22 cooking functions on an intuitive touch display for easy programming of desired cooking mode and duration.

PRODUCTS

OM76NPTX1

Combination Microwave Oven, 76cm, 22 Function

SERIES & STYLE

Series 9
Professional

FEATURES

- ① Professional style for a bold statement
- ② 49L total capacity
- ③ Intuitive, large 5" touchscreen display
- ④ Four microwave-only functions, 14 traditional oven functions, and four combination functions
- ⑤ A Wired Temperature Sensor precisely monitors cooking in real time
- ⑥ Guided cooking, with the option to access additional functionality via the SmartHQ™ app
- ⑦ Wi-Fi/Connected capability through the SmartHQ™ app
- ⑧ Soft open and close door

ACCESSORIES

- ① Wire Shelf*
- ② Chrome Shelf Runners*
- ③ Step Down Wire Shelf*
- ④ Grill Rack*
- ⑤ Glass Tray*
- ⑥ Wired Temperature Sensor*

*Included with product

The models shown in this Planning Guide may not be available in all markets and are subject to change at any time. Product specifications may vary from those shown. This Planning Guide should not be used as installation guidance for any product. Further information is required to safely and correctly install the products featured here. Specific installation guidance will be available on our website fisherpaykel.com



OVERVIEW

Designed to complement our Professional style kitchen appliances, this warming drawer has a brushed stainless steel handle, and is soft-close for a coherent, considered look. Beautiful to use, with capacitive touch controls and six tailored functions for warming, proofing, dehydrating and slow cook. Pair with other companion products to create a kitchen suite for every need.

PRODUCTS

WB76SPEX1
Warming Drawer, 76cm, Stainless Steel

SERIES & STYLE

Series 9
Professional

FEATURES

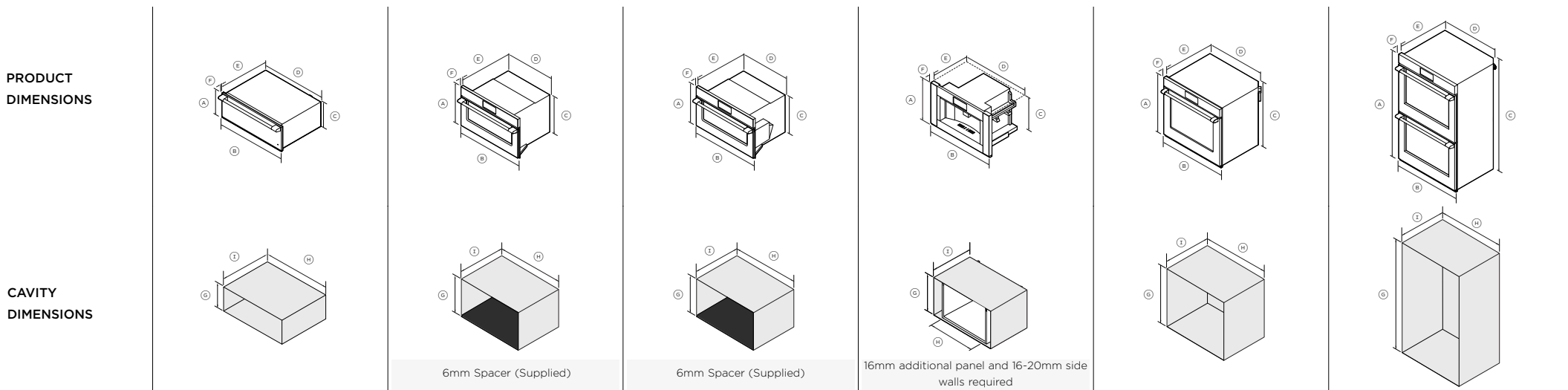
- ① Styled to perfectly match our Professional kitchen appliances
- ② Seamless pairing with other companion products in brushed stainless steel
- ③ Soft-close drawer
- ④ Easy-to-use capacitive touch controls
- ⑤ Automatic timing and switch-off functionality
- ⑥ Easy-to-clean, smooth-glass base
- ⑦ Room for 16 standard-sized place settings
- ⑧ Versatile with six tailored programmes for warming, proofing, dehydrating and slow cook

ACCESSORIES

- ① Accessory rack for optimizing space*

*Included with product

The models shown in this Planning Guide may not be available in all markets and are subject to change at any time. Product specifications may vary from those shown. This Planning Guide should not be used as installation guidance for any product. Further information is required to safely and correctly install the products featured here. Specific installation guidance will be available on our website fisherpaykel.com



	WARMING DRAWER WB76SPEX1	COMBINATION MICROWAVE OVEN OM76NPTX1	COMBINATION STEAM OVEN OS76NPTX1	BUILT-IN COFFEE MAKER EB76PSX1	OVEN OB76SPPTX1	DOUBLE OVEN OB76DPPTX1
PRODUCT DIMENSIONS						
Ⓐ Overall height	271mm	458mm	458mm	470mm	690mm	1232mm
Ⓑ Overall width	760mm	757mm	757mm	757mm	757mm	757mm
Ⓒ Chassis height	271mm	435mm	435mm	442mm	674mm	1218mm
Ⓓ Chassis width	707mm	720mm	720mm	560mm	720mm	720mm
Ⓔ Chassis depth	547mm Including power plug	545mm	545mm	445mm	569mm	569mm
Ⓕ Front panel thickness	20mm	30mm	30mm	40mm	40mm	40mm
Depth of oven door fully open	-	320mm*	320mm*	-	550mm*	Upper door 550mm* Lower door 530mm*

*Measured from front of control panel

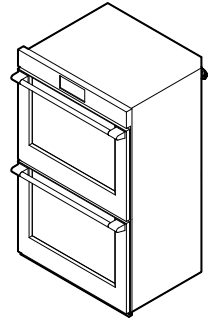
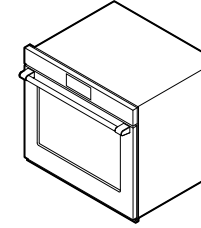
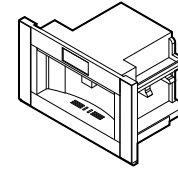
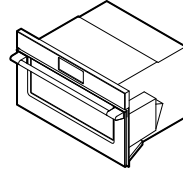
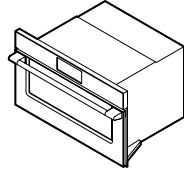
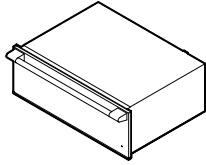
CAVITY DIMENSIONS						
Ⓖ Minimum inside height of cavity	273mm*	446mm height includes spacer thickness	446mm height includes spacer thickness	466mm height includes spacer thickness***	26 13/16" (681mm)	48 3/16" (1224mm)
Ⓗ Minimum inside width of cavity	724mm	724mm	724mm	560mm	28 1/2" (724mm)	28 1/2" (724mm)
Ⓖ Minimum inside depth of cavity	Proud 560mm Flush 580mm	Proud 550mm** Flush 580mm**	Proud 550mm Flush 580mm	Proud 545mm** Flush 585mm**	Proud 22 5/8" (575mm) Flush 24 3/16" (615mm)	Proud 22 5/8" (575mm) Flush 24 3/16" (615mm)
Recommended cabinet width	764mm	764mm	764mm	764mm	30 1/16" (764mm)	30 1/16" (764mm)

*Drawers can fully support 30inch Fisher & Paykel wall oven, without adding shelf in between

**Requires ventilation at the rear of the cavity

***Spacer required only for standalone installation

The models shown in this Planning Guide may not be available in all markets and are subject to change at any time. Product specifications may vary from those shown. This Planning Guide should not be used as installation guidance for any product. Further information is required to safely and correctly install the products featured here. Specific installation guidance will be available on our website fisherpaykel.com



WARMING DRAWER
WB76SPEX1

CONVECTION SPEED OVEN
OM76NPTX1

COMBINATION STEAM OVEN
OS76NPTX1

BUILT-IN COFFEE MAKER
EB76PSX1

OVEN
OB76SPPTX1

DOUBLE OVEN
OB76DPPTX1

POWER REQUIREMENTS

Supply	220-240 V, 50 Hz	220-240 V, 50 Hz	220-240 V, 50 Hz	220-240 V, 50 Hz	220-240 V, 50 Hz	220-240 V, 50 Hz
Service	10 A	20 A	20 A	10 A	20 A	40 A
Connection	Flex cord 1800mm	Hard wired	Hard wired	Flex cord 1700mm	Hard wired	Hard wired

WEIGHT

Packaged	37kg	55kg	55kg	31kg	110kg	184kg
Unpackaged	33kg	46kg	46kg	27kg	76kg	140kg

CAPACITY

Total oven	-	49L	55L	49L	115L	115L per oven
Total water tank	-	-	1.4L	2.5L	-	-

SERVICES

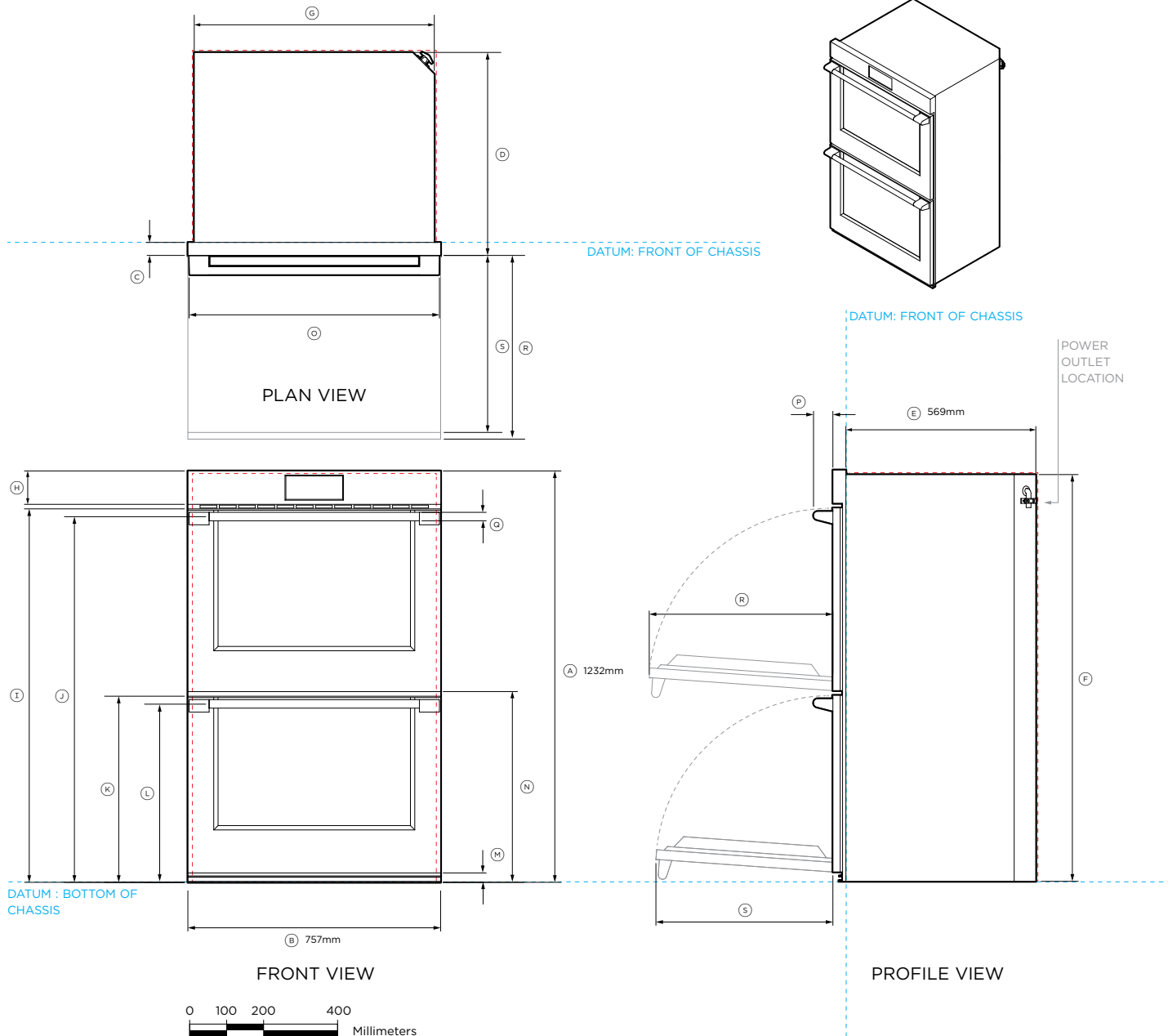
For more information on cord length, water supply and electrical requirements, refer to the 'Services' section of this Planning Guide.

WATER

All Coffee Makers and Steam Ovens have internal water tanks which need to be filled manually. No external water supply is required.

The models shown in this Planning Guide may not be available in all markets and are subject to change at any time. Product specifications may vary from those shown. This Planning Guide should not be used as installation guidance for any product. Further information is required to safely and correctly install the products featured here. Specific installation guidance will be available on our website fisherpaykel.com

DATA SHEETS



Model no:

Double Oven, 76cm - OB76DPPTX1

Product Dimensions

	mm
A Overall height of product	1232
B Overall width of product	757
C Depth of control panel (excludes handle)	40
D Depth of chassis and control panel (excludes handle)	609
E Depth of chassis	569
F Height of chassis	1218
G Width of chassis	720
H Height of control panel	100
I Height from bottom datum to top of upper oven door	1118
J Height from bottom datum to centerline upper of handle	1095
K Height from bottom datum to top of lower oven door	557
L Height from bottom datum to centerline of lower handle	533
M Height from bottom datum to bottom of lower door	28
N Height from bottom datum to bottom of upper door	571
O Width of handle (including standoffs)	748
P Depth of handle (including standoffs)	58
Q Thickness of handle (not including standoffs)	25
R Depth of lower door when open (measured from front of door)	530
S Depth of upper door when open (measured from front of door)	550

Minimum Clearances- Proud Installation

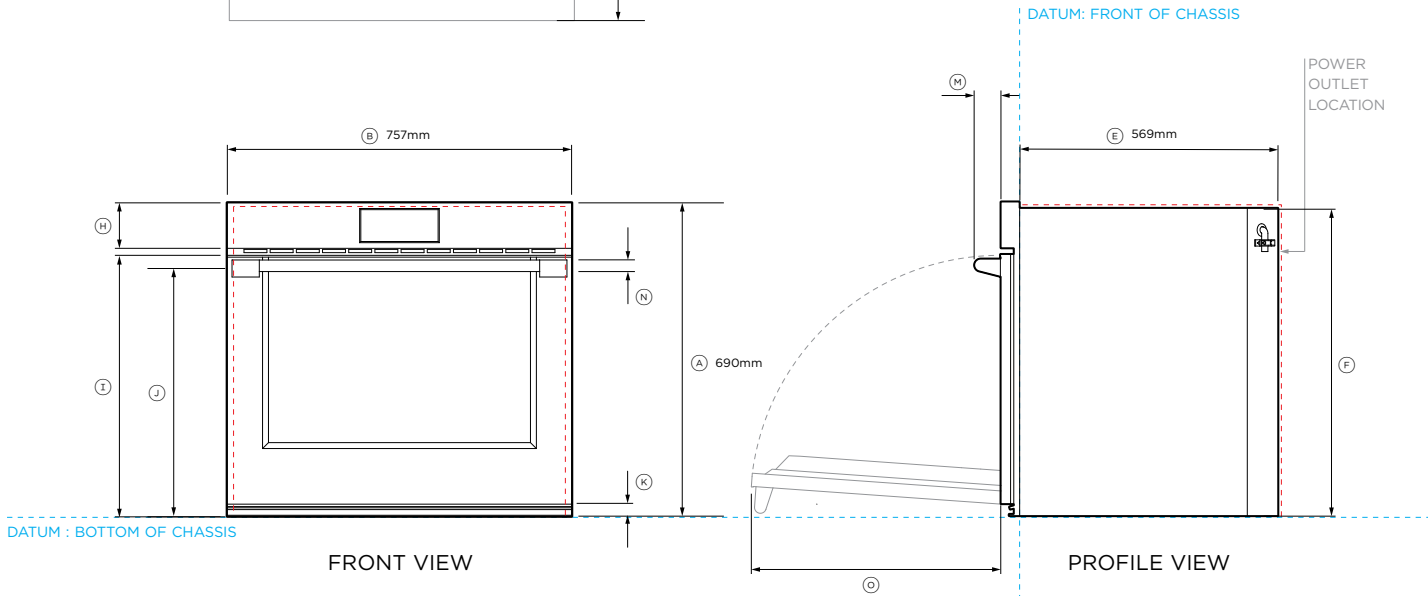
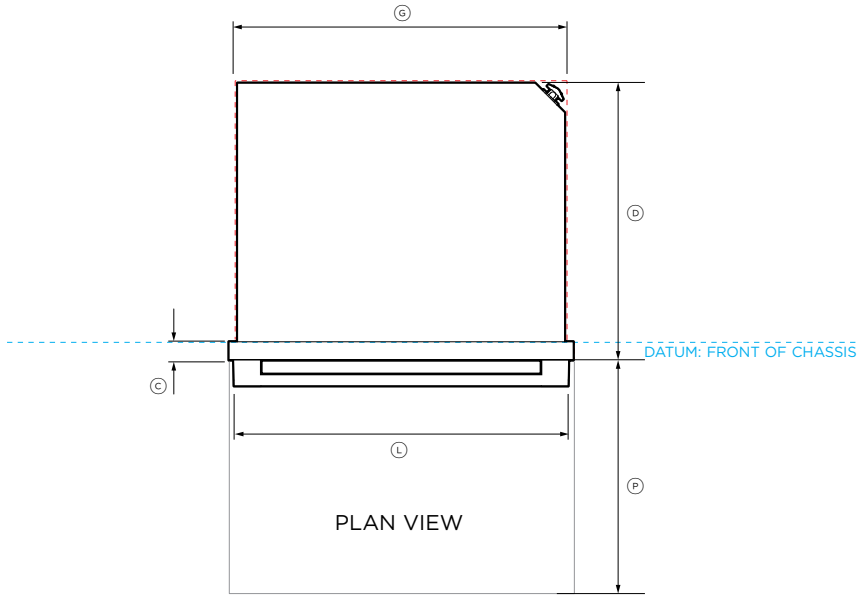
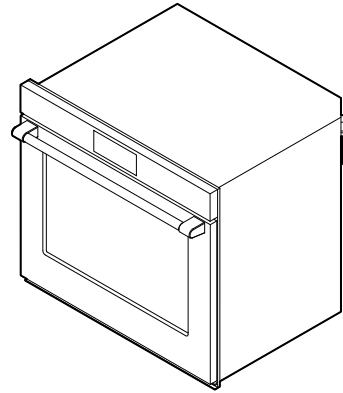
	mm
Minimum inside height of cavity	1224
Minimum inside width of cavity	724
Minimum inside depth of cavity	575
Minimum clearance above oven control panel to upper cabinetry front panel or appliance	2
Minimum clearance between bottom of oven chassis to lower cabinetry front panel or appliance	2

Note: Depending on cabinet panel thickness a rebate around control panel might be required.

IMPORTANT NOTE: For full installation and clearance details please refer to our installation manual.

INDICATES CABINETRY / PRODUCT DATUM -----
 INDICATES CABINETRY CLEARANCES - - - - -

IMPORTANT NOTE: Throughout this guide, dimensions may vary by ±2mm (1/16"). Please read the Installation Guide for detailed information on installing the product. For full installation instructions visit fisherpaykel.com



Model no:

Oven, 76cm - OB76SPPTX1

Product Dimensions

	mm
A Overall height of product	690
B Overall width of product	757
C Depth of control panel (excludes handle)	40
D Depth of chassis and control panel (excludes handle)	609
E Depth of chassis	569
F Height of chassis	675
G Width of chassis	720
H Height of control panel	100
I Height from bottom datum to top of oven door	574
J Height from bottom datum to centerline of handle	551
K Height from bottom datum to bottom of door	26
L Width of handle (including standoffs)	735
M Depth of handle (including standoffs)	58
N Thickness of handle (excluding standoffs)	25
O Depth of door when open (measured from front of door)	550

Minimum Clearances- Proud Installation

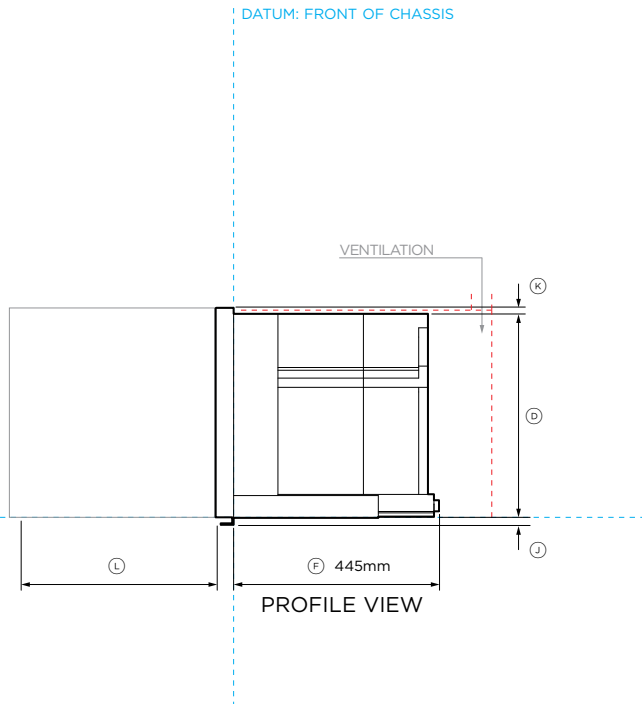
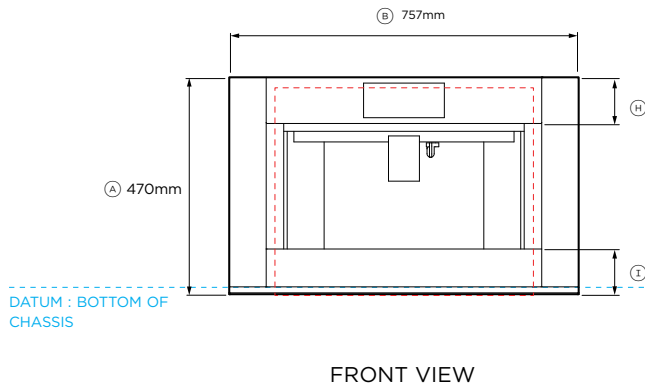
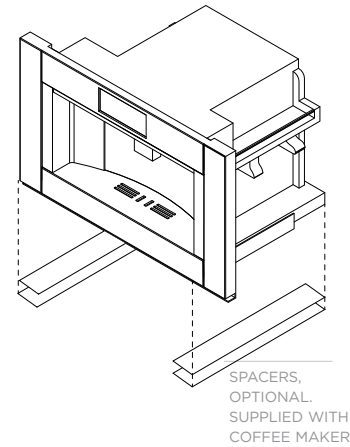
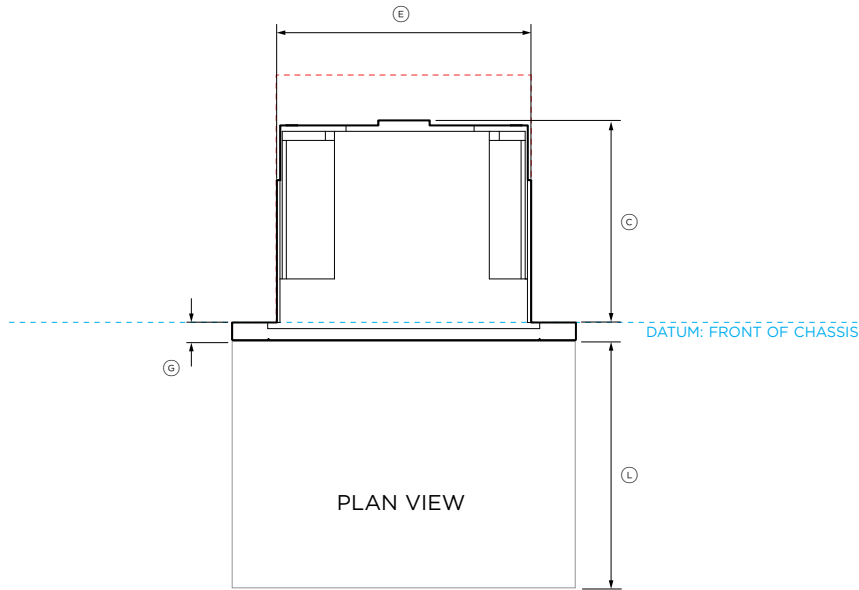
	mm
Minimum inside height of cavity	681
Minimum inside width of cavity	724
Minimum inside depth of cavity*	575
Minimum clearance above oven control panel to upper cabinetry front panel or appliance	2
Minimum clearance between bottom of oven chassis to lower cabinetry front panel or appliance	2

Note: Depending on cabinet panel thickness a rebate around control panel might be required. Ensure a 5mm minimum clearance is maintained between the top of the oven chassis and the cabinetry. Ensure the oven is not bearing any weight from cabinetry or products installed above.

IMPORTANT NOTE: For full installation and clearance details please refer to our installation manual.

INDICATES CABINERY / PRODUCT DATUM -----
 INDICATES CABINERY CLEARANCES - - - - -

IMPORTANT NOTE: Throughout this guide, dimensions may vary by ±2mm (1/16"). Please read the Installation Guide for detailed information on installing the product. For full installation instructions visit fisherpaykel.com



Model no:

Built-in Coffee Maker, 76cm - EB76PSX1

Product Dimensions

	mm
Ⓐ Overall height of product	470
Ⓑ Overall width of product	757
Ⓒ Overall depth of product	484
Ⓓ Height of chassis	442
Ⓔ Width of chassis	560
Ⓕ Depth of chassis	445
Ⓖ Depth of control panel	40
Ⓜ Height of control panel	100
Ⓣ Height from top of lower front panel to bottom of product	98
Ⓝ Height from bottom of chassis to bottom of lower trim	15
Ⓚ Stepdown from control panel to chassis	13
Ⓛ Maximum extension of built-in coffee maker	435

Minimum Clearances - Proud Installation

	mm
Minimum inside cavity height from bottom of chassis*	450
Minimum inside width of cavity**	560
Minimum inside depth of cavity	545
Rear ventilation depth***	50
Rear ventilation width***	560
Minimum clearance above built-in coffee maker to upper cabinetry front panel or appliance	2
Minimum clearance between bottom of lower trim to lower cabinetry front panel or appliance	2

*Additional panel of 16mm required at the base of the cavity for under bottom of chassis for standalone installation only

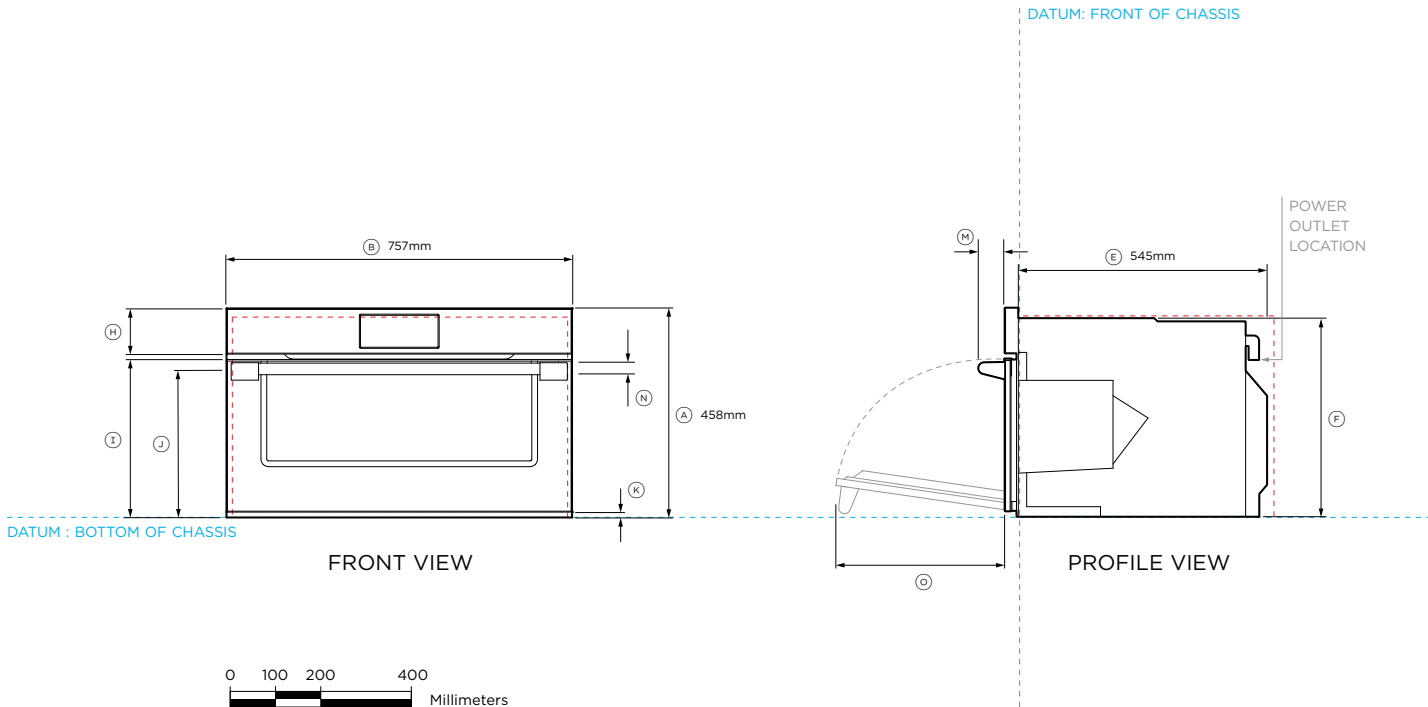
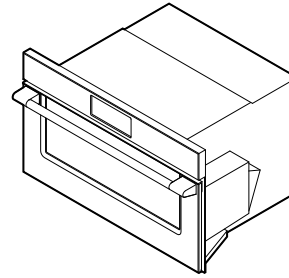
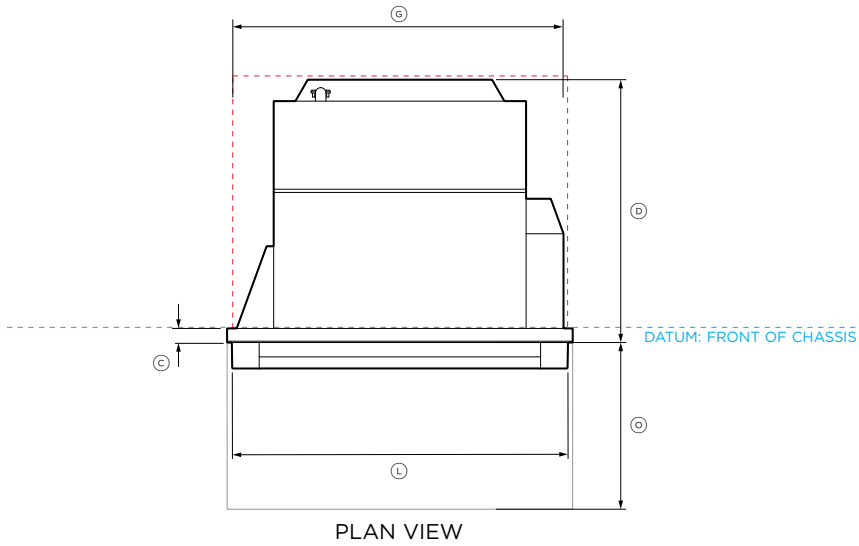
**Additional vertical sidewalls are required to secure the product

***Rear ventilation totalling 280cm² is required. The air vent must be located at the rear of cabinet, it can be positioned at the base, sides, back or top of the cavity.

NOTE: For full installation and clearance details please refer to our installation manual.

INDICATES CABINETRY / PRODUCT DATUM -----
 INDICATES CABINETRY CLEARANCES - - - - -

IMPORTANT NOTE: Throughout this guide, dimensions may vary by ±2mm (1/16"). Please read the Installation Guide for detailed information on installing the product. For full installation instructions visit fisherpaykel.com



Model no:

Combination Steam Oven, 76cm - OS76NPTX1

Product Dimensions

	mm
A Overall height of product	458
B Overall width of product	757
C Depth of control panel (excludes handle)	30
D Depth of chassis and control panel (excludes handle)	575
E Depth of chassis	545
F Height of chassis	435
G Width of chassis	720
H Height of control panel	100
I Height from bottom datum to top of oven door	347
J Height from bottom datum to centerline of handle	324
K Height from bottom datum to bottom of door	12
L Width of handle	737
M Depth of handle	58
N Thickness of handle	38
O Depth of door when open (measured from front of door)	336

Minimum Clearances - Proud Installation

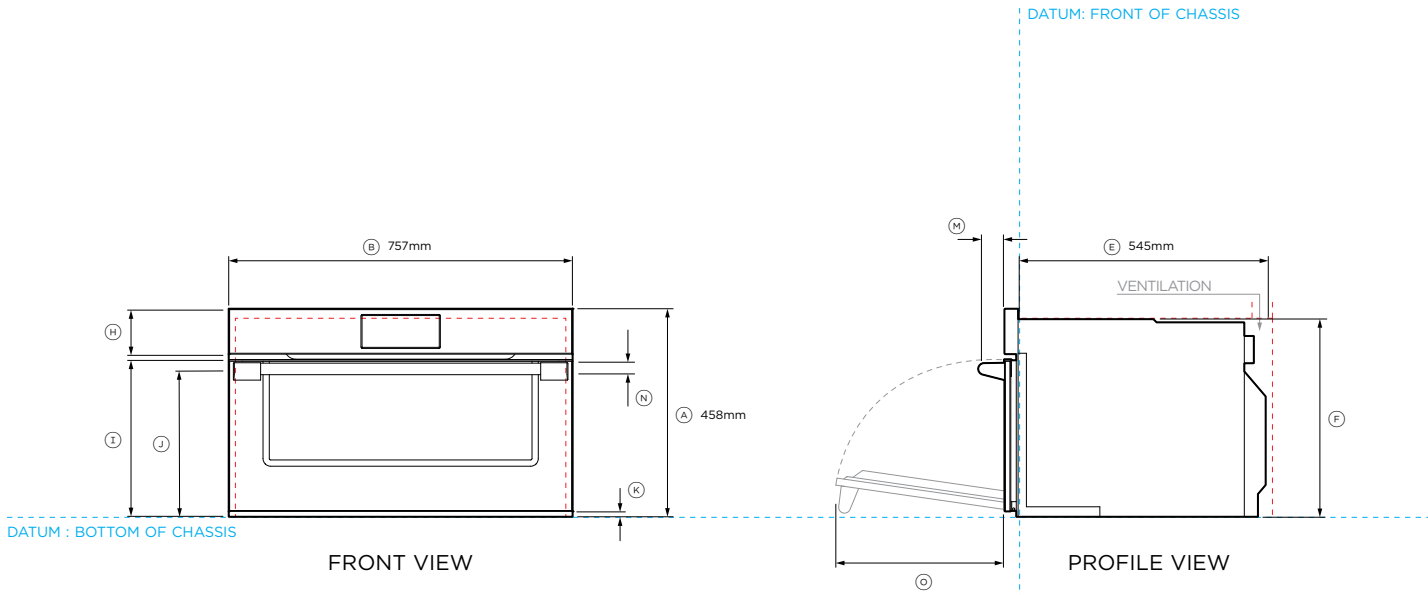
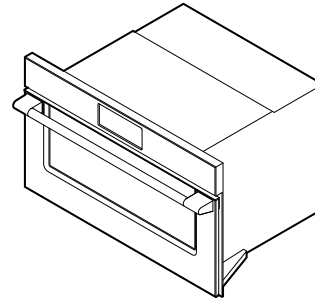
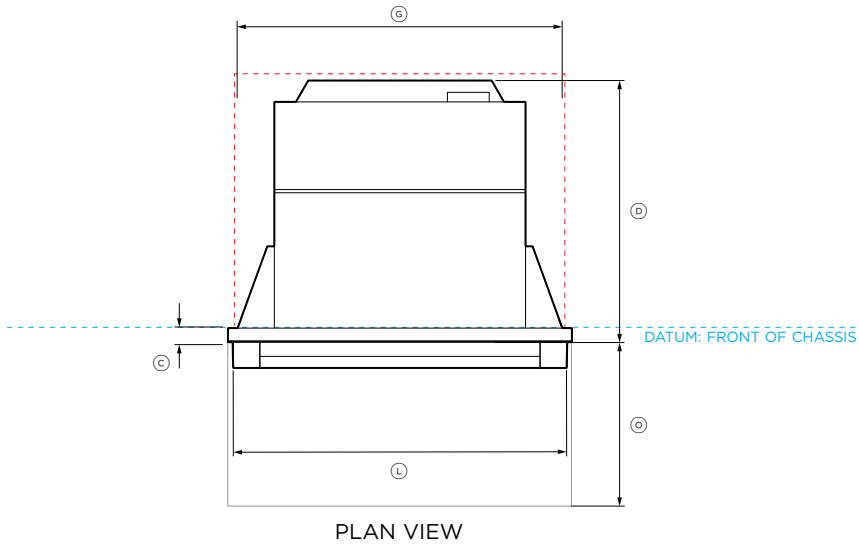
	mm
Minimum inside height of cavity*	446
Minimum inside width of cavity	724
Minimum inside depth of cavity	550
Minimum clearance above oven control panel to upper cabinetry front panel or appliance	2
Minimum clearance between bottom of oven chassis to lower cabinetry front panel or appliance	2

*Height includes a 6mm spacer in the base of the cavity (supplied with product)
Ensure a 5mm minimum clearance is maintained between the top of the oven chassis and the cabinetry. Ensure the oven is not bearing any weight from cabinetry or products installed above.

NOTE: For full installation and clearance details please refer to our installation manual.

INDICATES CABINERY / PRODUCT DATUM -----
INDICATES CABINERY CLEARANCES - - - - -

IMPORTANT NOTE: Throughout this guide, dimensions may vary by ±2mm (1/16"). Please read the Installation Guide for detailed information on installing the product. For full installation instructions visit fisherpaykel.com



Model no:

Combination Microwave Oven, 76cm - OM76NPTX1

Product Dimensions

	mm
A Overall height of product	458
B Overall width of product	757
C Depth of control panel (excludes handle)	30
D Depth of chassis and control panel (excludes handle)	575
E Depth of chassis	545
F Height of chassis	435
G Width of chassis	720
H Height of control panel	100
I Height from bottom datum to top of oven door	347
J Height from bottom datum to centerline of handle	324
K Height from bottom datum to bottom of door	12
L Width of handle	737
M Depth of handle	58
N Thickness of handle	38
O Depth of door when open (measured from front of door)	336

Minimum Clearances - Proud Installation

	mm
Minimum inside height of cavity*	446
Minimum inside width of cavity	724
Minimum inside depth of cavity	550
Rear ventilation depth**	50
Rear ventilation depth**	560
Minimum clearance above oven control panel to upper cabinetry front panel or appliance	2
Minimum clearance between bottom of oven chassis to lower cabinetry front panel or appliance	2

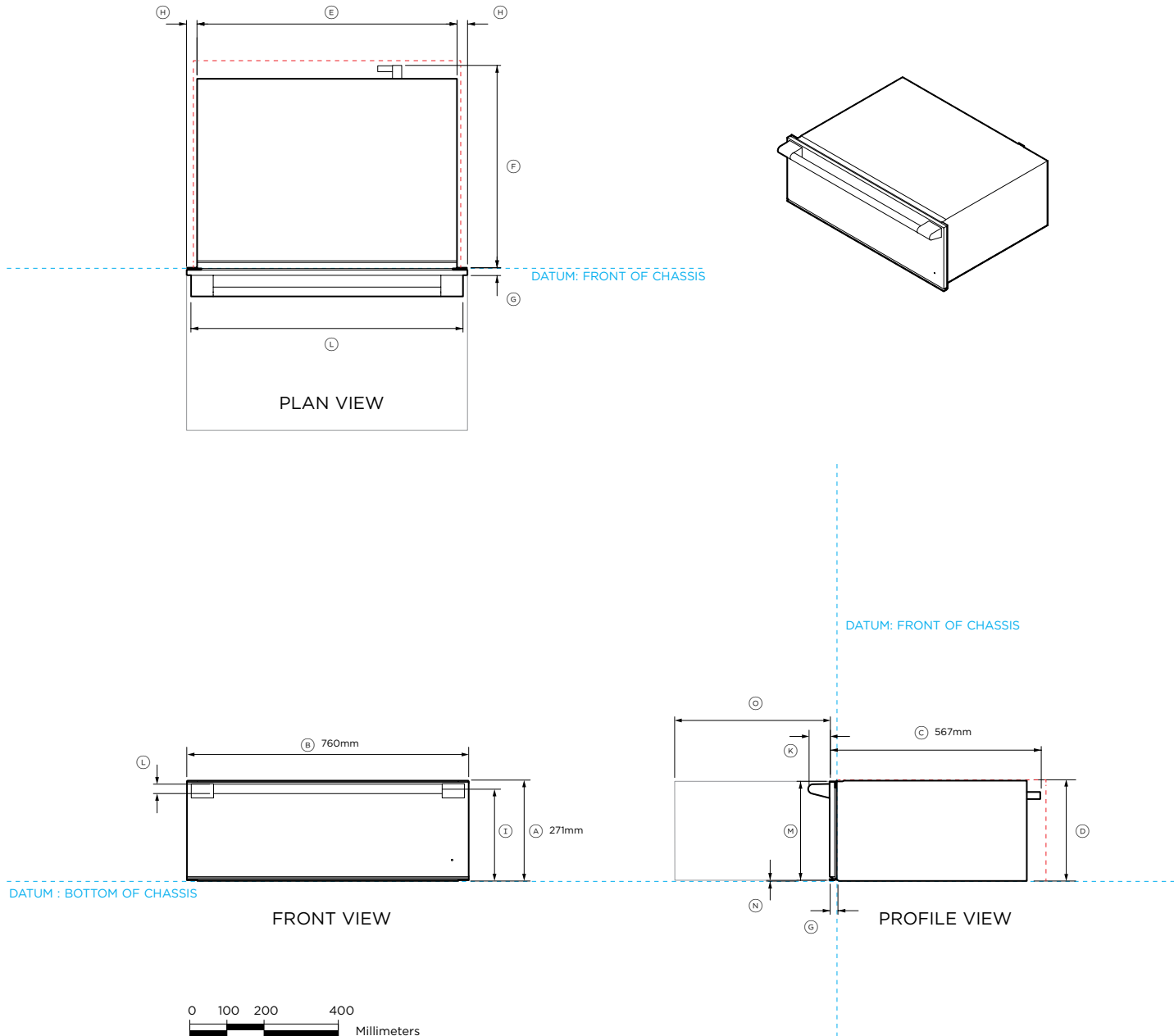
*Height includes a 6mm spacer in the base of the cavity (supplied with product)
 **Rear ventilation totalling 280cm² is required. The air vent must be located at the rear of cabinet, it can be positioned at the base, sides, back or top of the cavity.

Ensure a 5mm minimum clearance is maintained between the top of the oven chassis and the cabinetry. Ensure the oven is not bearing any weight from cabinetry or products installed above.

NOTE: For full installation and clearance details please refer to our installation manual.

INDICATES CABINETRY / PRODUCT DATUM -----
 INDICATES CABINETRY CLEARANCES - - - - -

IMPORTANT NOTE: Throughout this guide, dimensions may vary by ±2mm (1/16"). Please read the Installation Guide for detailed information on installing the product. For full installation instructions visit fisherpaykel.com



Model no:

Warming Drawer, 76cm - WB76SPEX1

Product Dimensions

	mm
Ⓐ Overall height of product	271
Ⓑ Overall width of product	760
Ⓒ Overall depth (incl. front panel & power plug)	567
Ⓓ Height of chassis	271
Ⓔ Width of chassis	707
Ⓕ Depth of chassis (includes power plug)	547
Ⓖ Depth of drawer front panel and flange	20
Ⓜ Distance from side of chassis to side of drawer front	27
Ⓜ Height from bottom of product to centre of handle rail	249
Ⓝ Width of handle	736
Ⓚ Depth of handle	58
Ⓛ Thickness of handle	25
Ⓜ Height of drawer front panel	267
Ⓝ Height from bottom of chassis to bottom of front panel	2
Ⓞ Depth of open drawer (measured from front of drawer panel)	419

Minimum Clearances - Proud Installation

	mm
Minimum inside height of cavity	273
Minimum inside width of cavity	724
Minimum inside depth of cavity	560
Minimum clearance above drawer front panel to upper cabinetry front panel or appliance*	4
Minimum clearance between bottom of drawer chassis to lower cabinetry front panel or appliance	2

*Achieve a smaller gap between drawer front panel to upper cabinetry front panel by dropping cabinetry front panel down

NOTE: For full installation and clearance details please refer to our installation manual.

INDICATES CABINETRY / PRODUCT DATUM -----
 INDICATES CABINETRY CLEARANCES - - - - -

IMPORTANT NOTE: Throughout this guide, dimensions may vary by ±2mm (1/16"). Please read the Installation Guide for detailed information on installing the product. For full installation instructions visit fisherpaykel.com

PLANNING CONSIDERATIONS

BLACK CLASHING

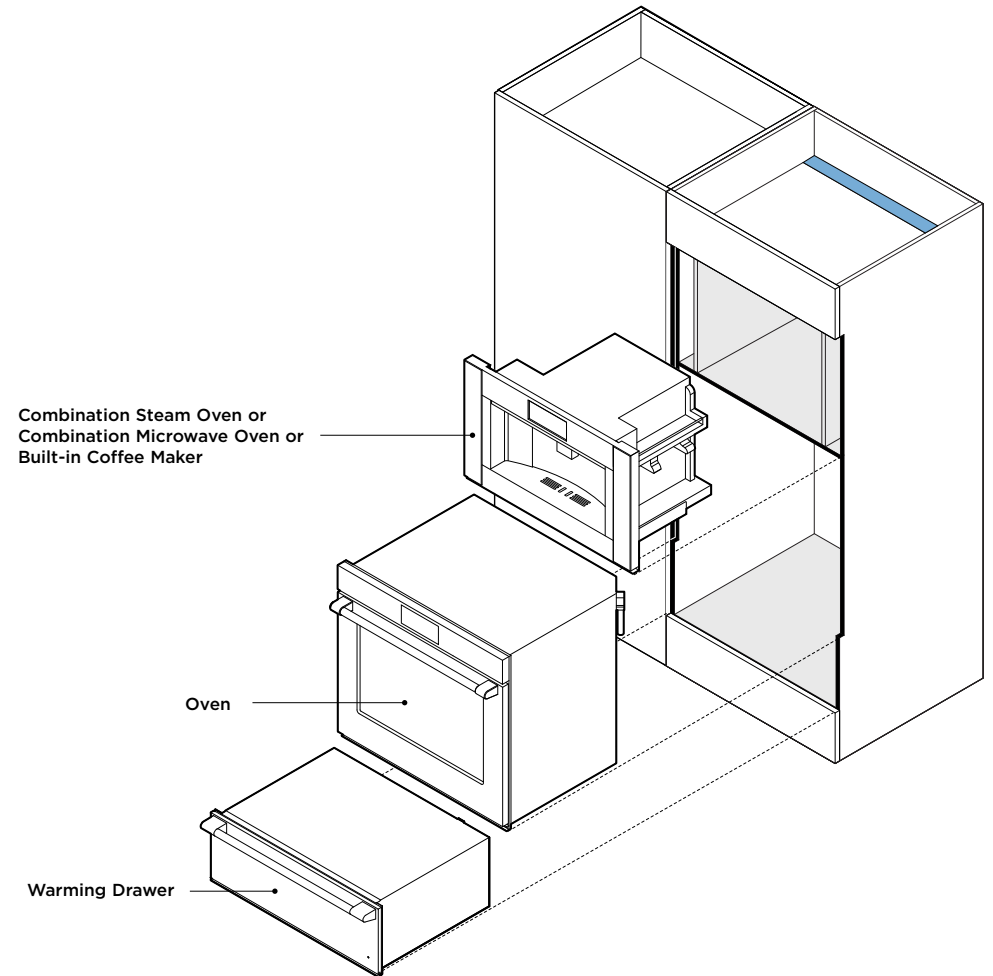
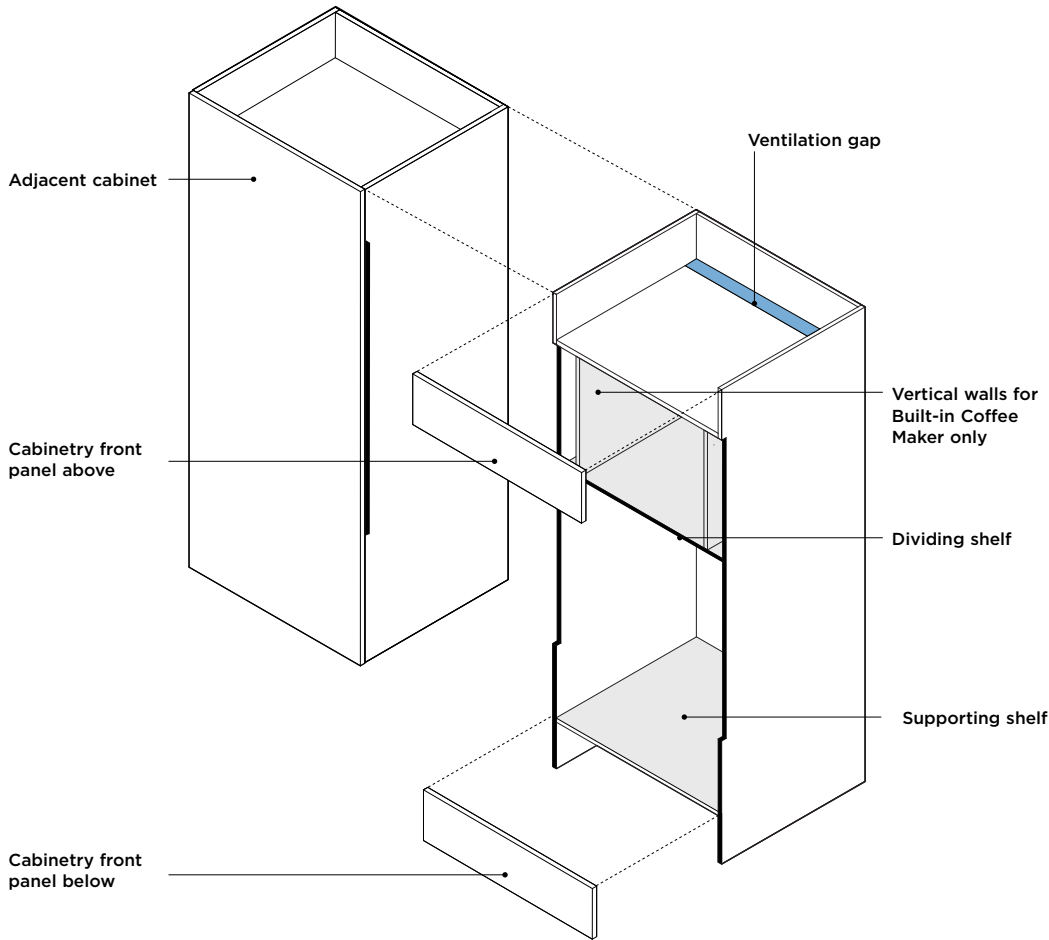
Black clashing recommended on front facing edges where products are located and on side cabinets if cabinet is rebated.

DIVIDING SHELF

If the cabinetry front panels are thinner than 20mm (less than the thickness of the appliance front) a rebate is required for the appliance to achieve a flush finish.

LEVEL CABINETRY

Check the shelves are level and the side panels are straight.



The models shown in this Planning Guide may not be available in all markets and are subject to change at any time. Product specifications may vary from those shown. This Planning Guide should not be used as installation guidance for any product. Further information is required to safely and correctly install the products featured here. Specific installation guidance will be available on our website fisherpaykel.com

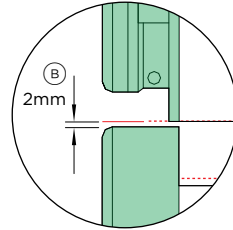
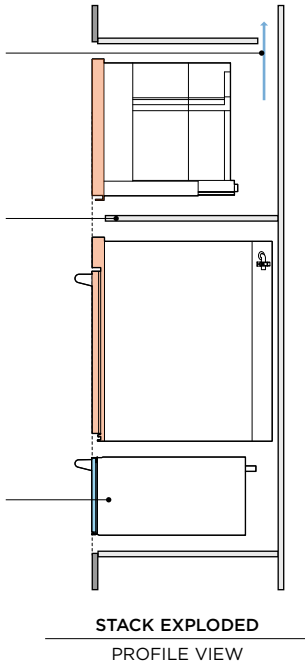
Ventilation air vent is required at rear for some products.

Dividing shelves are required to support stacked appliances and to achieve correct clearance.

Dividing shelves must be constructed from material that will support the weight of the appliances.

Ensure the oven is not bearing any weight from cabinetry or products installed above.

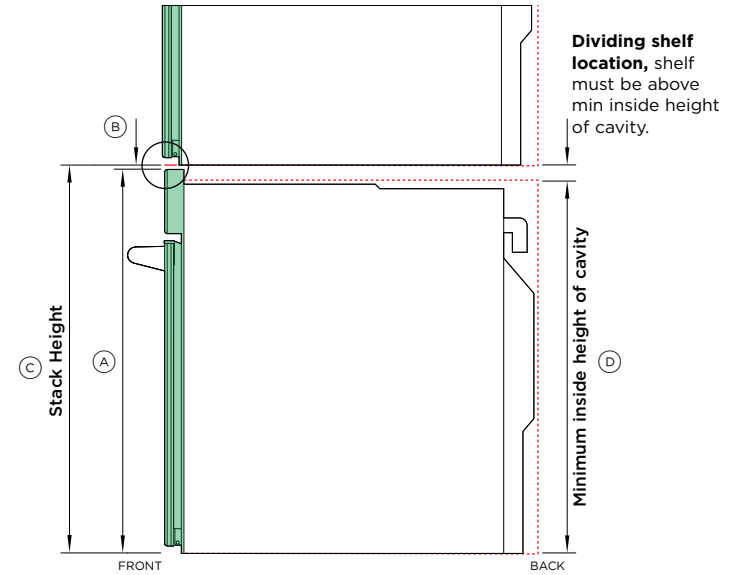
Warming Drawers and Vacuum Seal Drawers can fully support a 76cm Fisher & Paykel oven, without adding a shelf in between.



Minimum clearance above appliance control panel to upper appliance

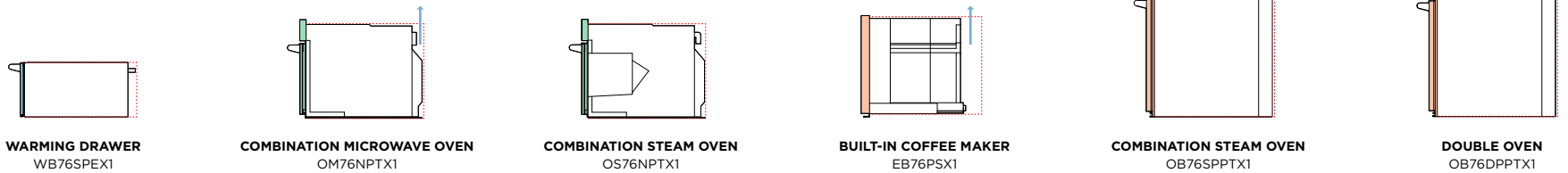
STACK HEIGHT

$$\begin{aligned}
 & \textcircled{A} \text{ Overall product height} \\
 & + \\
 & \textcircled{B} \text{ Minimum clearance above appliance control panel or} \\
 & \text{front panel to upper appliance} \\
 & = \\
 & \textcircled{C} \text{ Stacked Height}
 \end{aligned}$$



PRODUCT PROFILE VIEW

MINIMUM DIMENSION CLEARANCES



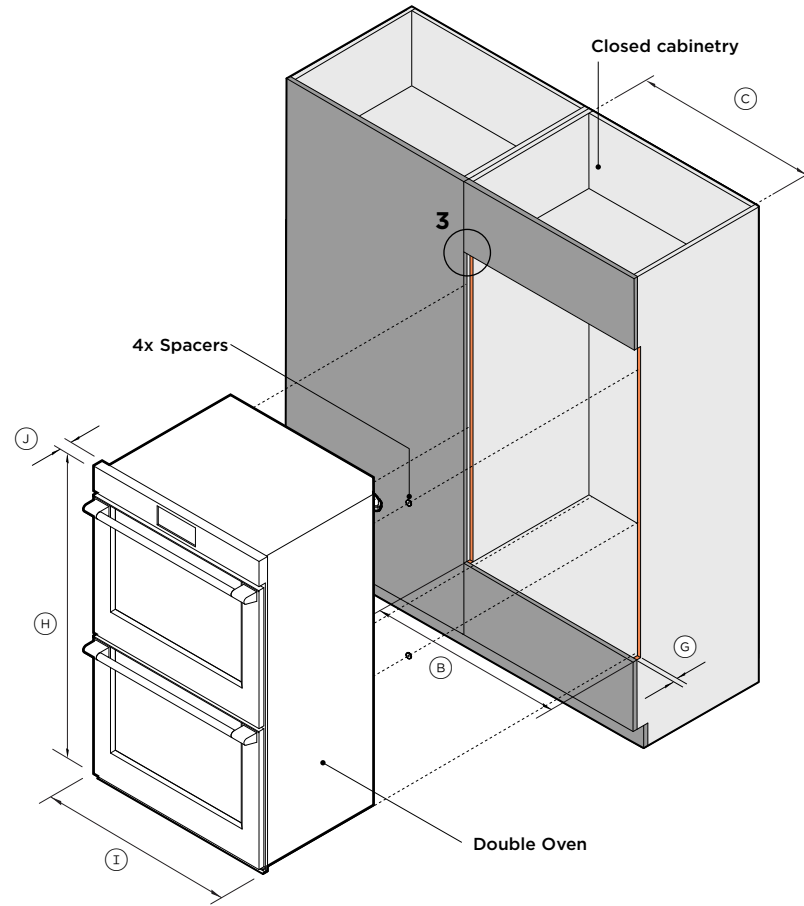
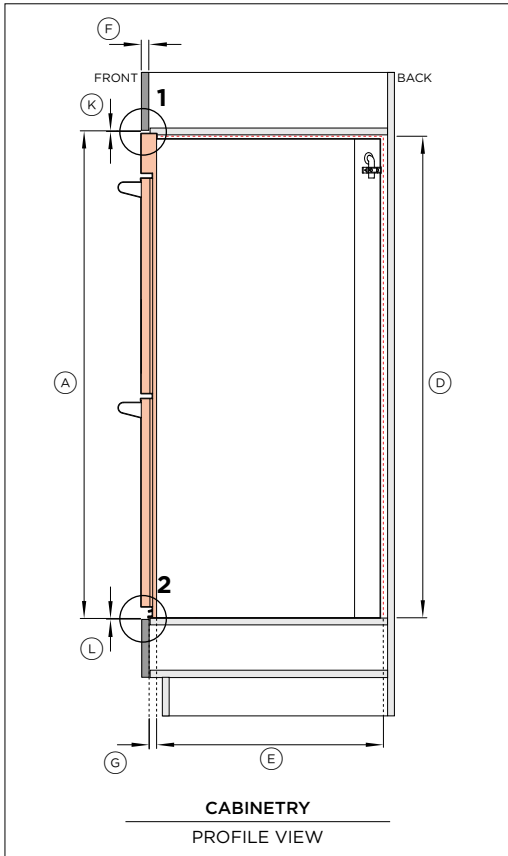
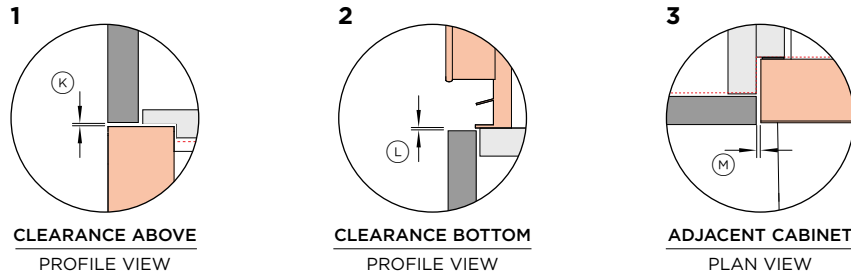
	WARMING DRAWER WB76SPEX1	COMBINATION MICROWAVE OVEN OM76NPTX1	COMBINATION STEAM OVEN OS76NPTX1	BUILT-IN COFFEE MAKER EB76PSX1	COMBINATION STEAM OVEN OB76SPPTX1	DOUBLE OVEN OB76DPPTX1
DIMENSIONS						
Ⓐ Overall product height	271mm	464mm**	464mm**	470mm	690mm	1232mm
Ⓑ Minimum clearance above	-	-	2mm	2mm	2mm	2mm
Ⓒ Stack height	271mm*	448mm	448mm	472mm	692mm	1234mm
Ⓓ Minimum inside height of cavity	271mm	446mm**	446mm**	450mm from bottom of chassis	681mm	1224mm

*Drawers can fully support 76cm Fisher & Paykel wall oven, without adding shelf in between

**Height includes a 6mm spacer in the base of the cavity (supplied with product)

NOTE: Stack height is overall product height with minimum clearance above appliance control panel or front panel to upper appliance.

The models shown in this Planning Guide may not be available in all markets and are subject to change at any time. Product specifications may vary from those shown. This Planning Guide should not be used as installation guidance for any product. Further information is required to safely and correctly install the products featured here. Specific installation guidance will be available on our website fisherpaykel.com



Model no:
Double Oven, 76cm - OB76DPPTX1

Cabinetry Dimensions - Flush Installation	mm
Ⓐ Overall cabinet height	1234
Ⓑ Overall cabinet width	764
Ⓒ Minimum inside width of cavity	724
Ⓓ Minimum inside height of cavity	1224
Ⓔ Minimum inside depth of cavity	575
Ⓕ Thickness of cabinetry front panel*	19
Ⓖ Thickness of rebate for control panel**	23

*Cabinetry shown in drawings 19mm panels
**Oven requires 2mm spacers for screws (4x supplied)

Note: Overall cabinet height is overall product height with minimum clearance above oven control panel to upper cabinetry front panel.

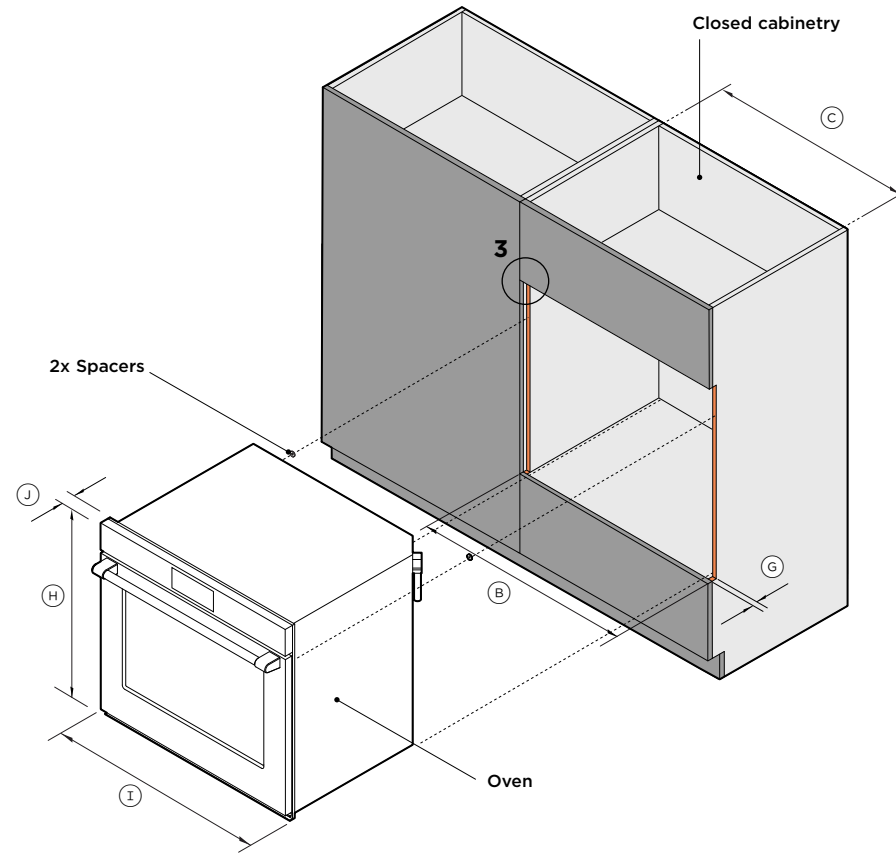
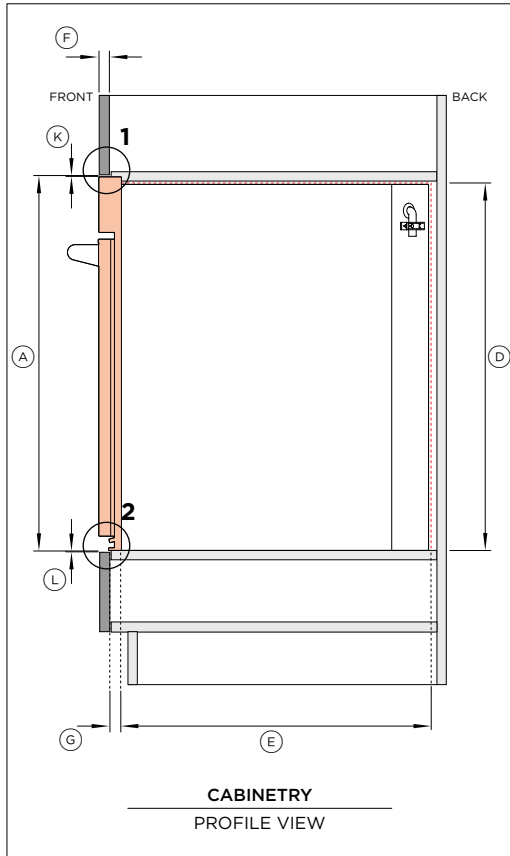
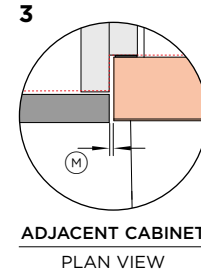
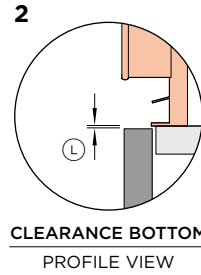
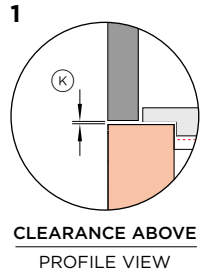
Product Dimensions	mm
Ⓙ Overall height of product	1232
Ⓚ Overall width of product	757
Ⓛ Thickness of oven control panel	40

Cabinetry Clearances	mm
Ⓜ Minimum clearance above oven control panel to upper cabinetry front panel	2
Ⓨ Minimum clearance between bottom of oven chassis to lower cabinetry front panel	2
Ⓩ Minimum clearance between adjacent front panel or appliance	3

The models shown in this Planning Guide may not be available in all markets and are subject to change at any time. Product specifications may vary from those shown. This Planning Guide should not be used as installation guidance for any product. Further information is required to safely and correctly install the products featured here. Specific installation guidance will be available on our website fisherpaykel.com

COOKTOP CLEARANCE

If installing a cooktop above the oven, ensure adequate clearance is provided for the cooktop as per the cooktop manufacturer's instructions.



Model no:

Oven, 76cm - OB76SPPTX1

Cabinetry Dimensions - Flush Installation

	mm
Ⓐ Overall cabinet height	692
Ⓑ Overall cabinet width	764
Ⓒ Minimum inside width of cavity	724
Ⓓ Minimum inside height of cavity	681
Ⓔ Minimum inside depth of cavity	575
Ⓕ Thickness of cabinet front panel*	19
Ⓖ Thickness of rebate for control panel**	23

*Cabinetry shown in drawings 19mm panels

**Oven requires 2mm spacers for screws (2x supplied)

Note: Overall cabinet height is overall product height with minimum clearance above oven control panel to upper cabinetry front panel.

Product Dimensions

	mm
Ⓘ Overall height of product	690
Ⓜ Overall width of product	757
Ⓝ Thickness of oven control panel	40

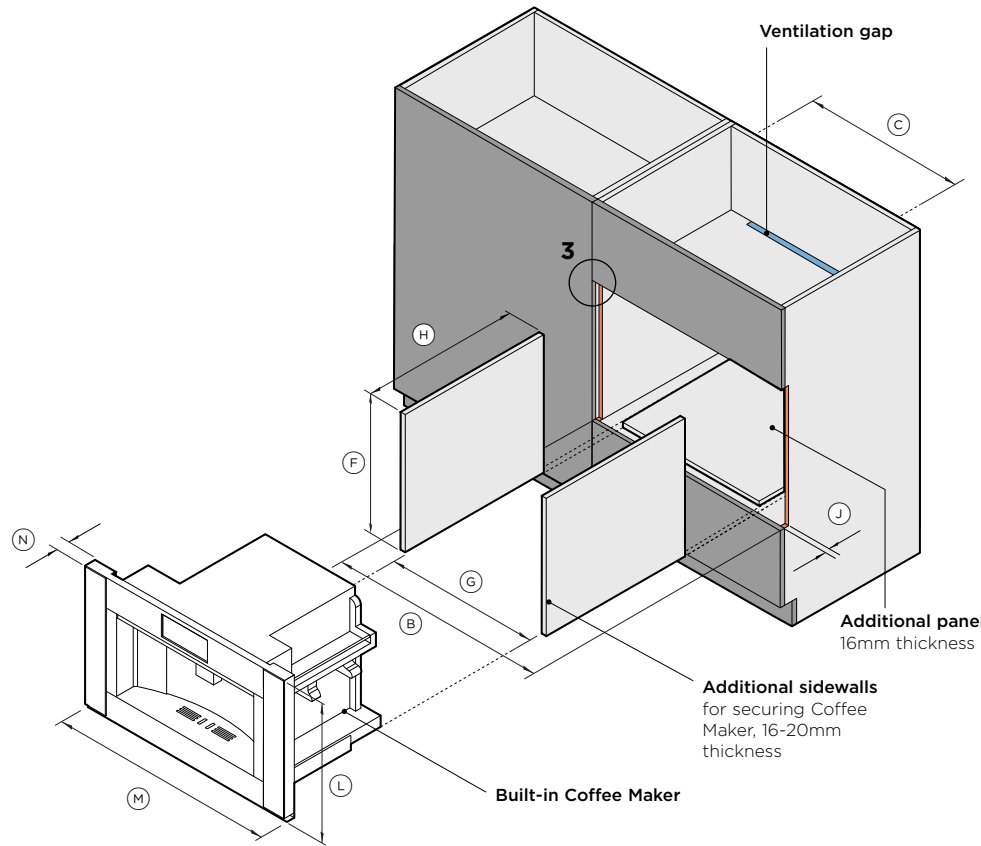
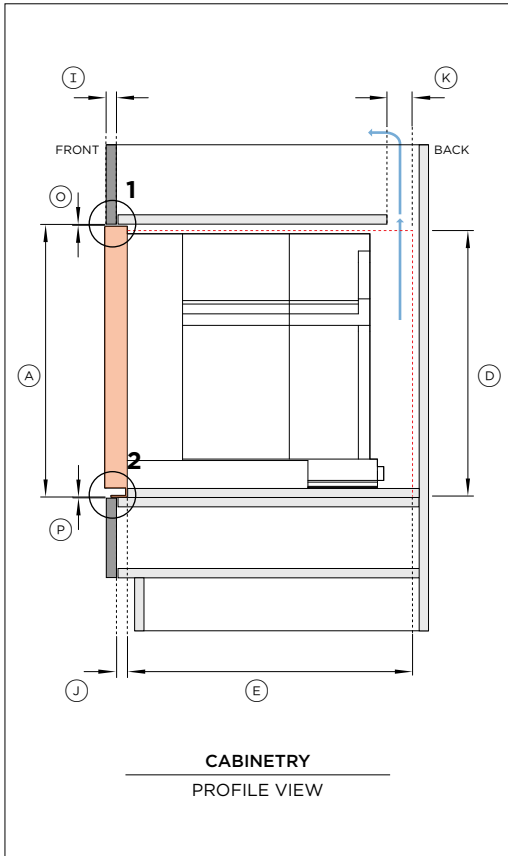
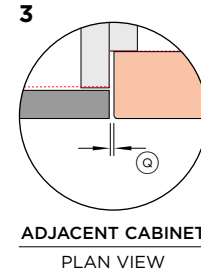
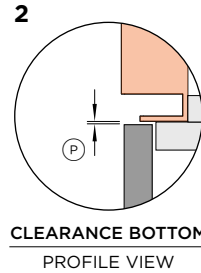
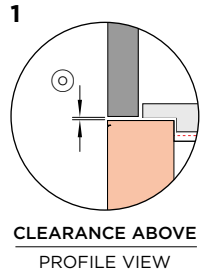
Cabinetry Clearances

	mm
Ⓚ Minimum clearance above oven control panel to upper cabinetry front panel	2
Ⓛ Minimum clearance between bottom of oven chassis to lower cabinetry front panel	2
Ⓞ Minimum clearance between adjacent front panel or appliance	3

The models shown in this Planning Guide may not be available in all markets and are subject to change at any time. Product specifications may vary from those shown. This Planning Guide should not be used as installation guidance for any product. Further information is required to safely and correctly install the products featured here. Specific installation guidance will be available on our website fisherpaykel.com

VENTILATION

Ventilation of 50mm x 560mm or totalling 280cm² is required. The air vent must be located at the rear of cabinet, it can be positioned at the base, top, sides, or back.



Model no:
Built-in Coffee Maker, 76cm - EB76PSX1

Cabinetry Dimensions - Flush Installation	mm
Ⓐ Overall cabinet height*	473
Ⓑ Overall cabinet width	764
Ⓒ Minimum inside width of cavity	560
Ⓓ Minimum inside height of cavity*	466
Ⓔ Minimum inside depth of cavity	585
Ⓕ Minimum height of additional side walls	466
Ⓖ Width between additional side walls	560
Ⓗ Minimum depth of additional side walls	570
Ⓘ Thickness of cabinetry front panel**	19
Ⓟ Thickness of rebate for control panel	21
Ⓠ Ventilation gap***	50

*Includes height for a 16mm additional panel at base of cavity
 **Cabinetry shown in drawings 19mm panels.
 ***A rear ventilation air vent totalling 280cm² is required. The air vent must be located at the rear of the cabinet, it can be positioned at the base, sides, back or top of the cavity.

Note: Overall cabinet height is overall product height with minimum clearance above coffee maker control panel to upper cabinetry front panel.

Product Dimensions	mm
Ⓐ Overall height of product	470
Ⓑ Overall width of product	757
Ⓗ Thickness of built-in coffee maker front panel	40

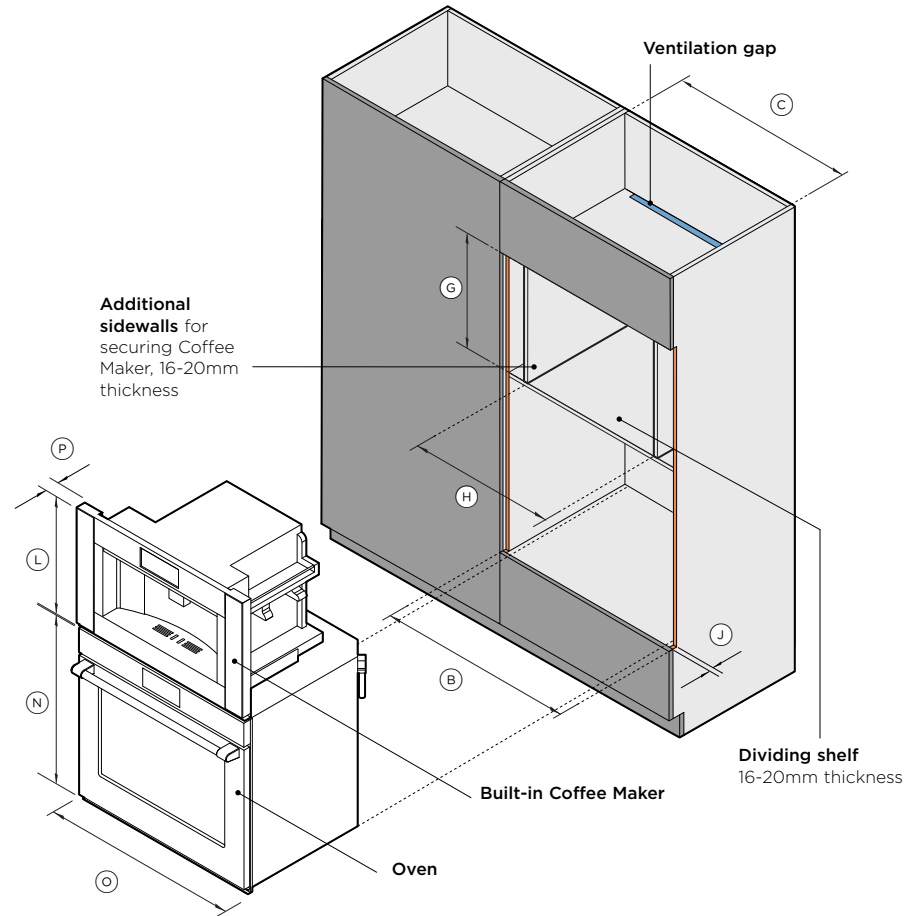
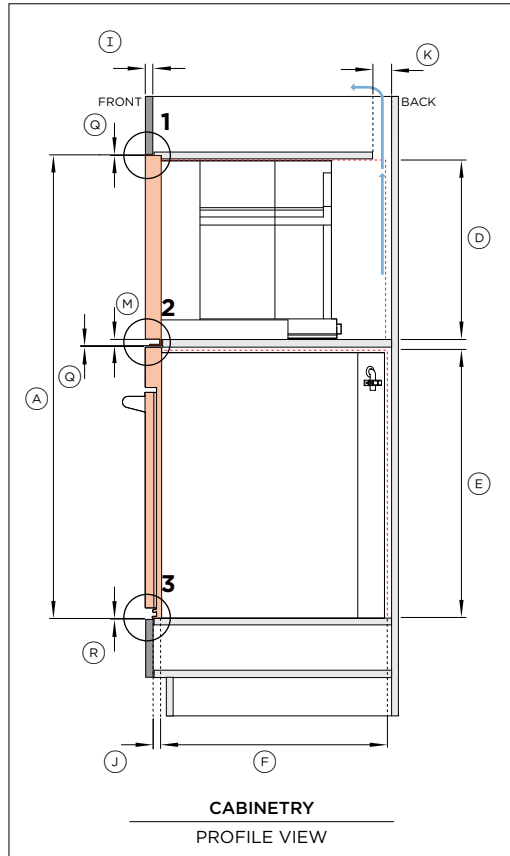
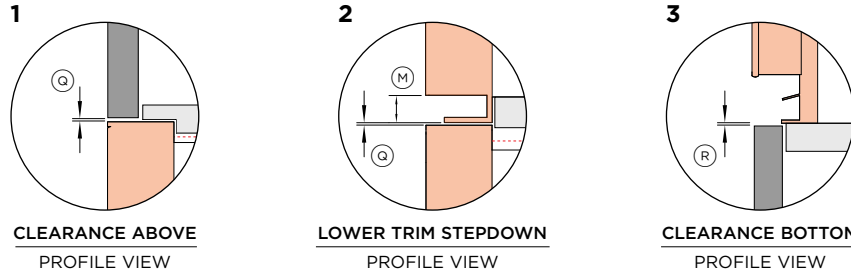
Cabinetry Clearances	mm
Ⓐ Minimum clearance above built-in coffee maker front panel to upper cabinetry front panel	2
Ⓑ Minimum clearance between bottom of built-in coffee maker to lower cabinetry front panel	2
Ⓒ Minimum clearance between adjacent front panel or appliance	3

The models shown in this Planning Guide may not be available in all markets and are subject to change at any time. Product specifications may vary from those shown. This Planning Guide should not be used as installation guidance for any product. Further information is required to safely and correctly install the products featured here. Specific installation guidance will be available on our website fisherpaykel.com

ADDITIONAL PANEL

Standalone installation requires additional panel of 16mm under the coffee maker chassis.

No additional panel required for stacked installation.



Model no:

Built-in Coffee Maker, 76cm - EB76PSX1
Oven, 76cm - OB76SPPTX1

Cabinetry Dimensions - Flush Installation

	mm
A Stack height	1164
B Overall cabinet width	764
C Minimum inside width of cavity	724
D Minimum inside height of built-in coffee maker cavity (excludes lower trim stepdown)	450
E Minimum inside height of oven cavity	681
F Minimum inside depth of cavity and additional side walls	575
G Minimum height of additional side walls	470
H Width between additional side walls	560
I Thickness of cabinetry front panel*	19
J Thickness of rebate for control panel	21
K Ventilation gap**	50

*Cabinetry shown in drawings 19mm panels.

**A rear ventilation air vent totalling 280cm² is required. The air vent must be located at the rear of the cabinet, it can be positioned at the base, sides, back or top of the cavity.

Note: Stack height is overall product height with minimum clearance above appliance control panel or front panel to upper appliance.

Product Dimensions

	mm
L Overall height of built-in coffee maker (including lower trim)	470
M Height from bottom of chassis to bottom of lower trim	15
N Overall height of oven	690
O Overall width of products	757
P Thickness of products	40

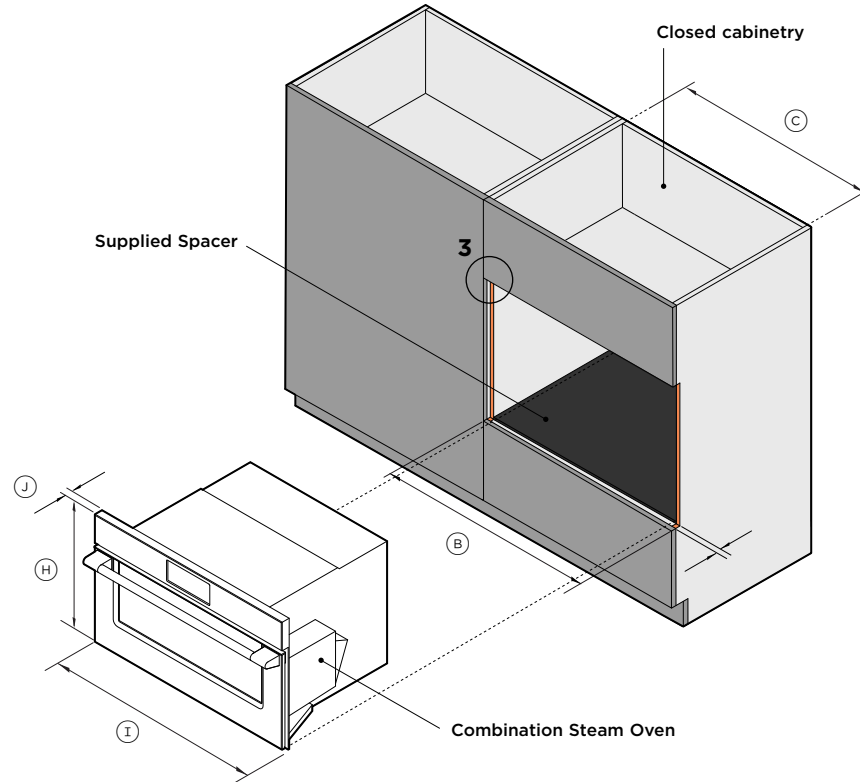
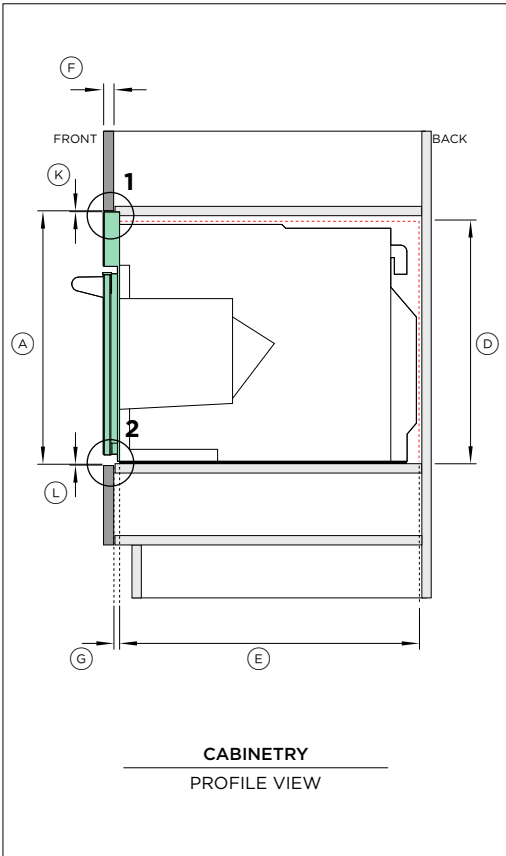
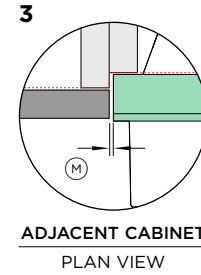
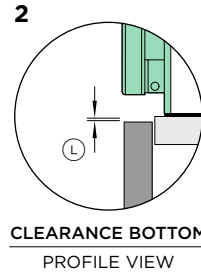
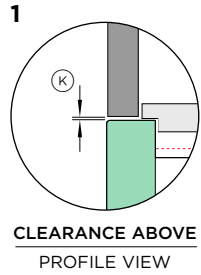
Cabinetry Clearances

	mm
Q Minimum clearance above appliance front panel to upper cabinetry front panel or appliance	2
R Minimum clearance between bottom of appliance to lower cabinetry front panel	2
S Minimum clearance between adjacent front panel or appliance	3

The models shown in this Planning Guide may not be available in all markets and are subject to change at any time. Product specifications may vary from those shown. This Planning Guide should not be used as installation guidance for any product. Further information is required to safely and correctly install the products featured here. Specific installation guidance will be available on our website fisherpaykel.com

COOKTOP CLEARANCE

If installing a cooktop above the oven, ensure adequate clearance is provided for the cooktop as per the cooktop manufacturer's instructions.



Model no:
Combination Steam Oven, 76cm - OS76NPTX1

Cabinetry Dimensions - Flush Installation		mm
Ⓐ	Overall cabinet height*	466
Ⓑ	Overall cabinet width	764
Ⓒ	Minimum inside width of cavity	724
Ⓓ	Minimum inside height of cavity*	446
Ⓔ	Minimum inside depth of cavity	580
Ⓕ	Thickness of cabinetry front panel**	19
Ⓖ	Thickness of rebate for control panel	11

*Height includes a 6mm spacer in the base of the cavity (supplied with product)
**Cabinetry shown in drawings 19mm panels. If the front panel is thinner than 20mm a rebate for the Oven is required to achieve a flush finish

Note: Overall cabinet height is overall product height with minimum clearance above oven control panel to upper cabinetry front panel.

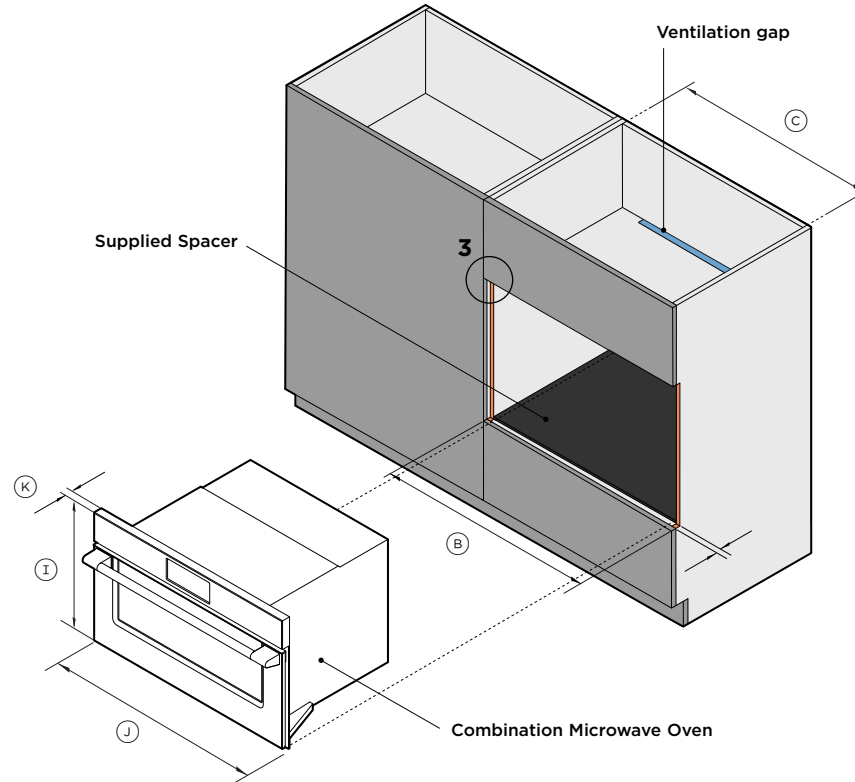
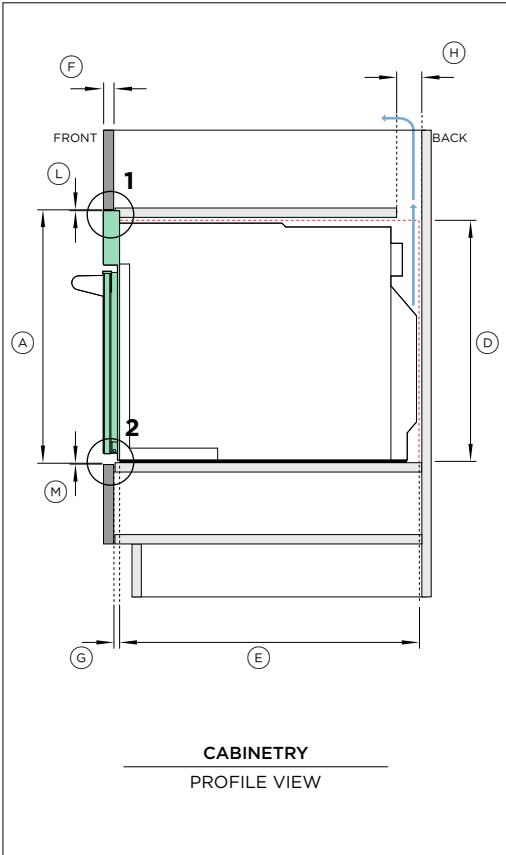
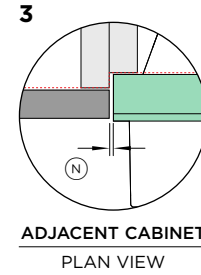
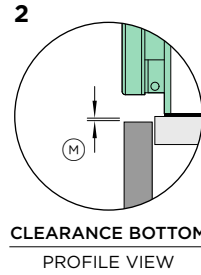
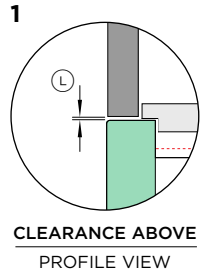
Product Dimensions		mm
Ⓐ	Overall height of product	458
Ⓑ	Overall width of product	757
Ⓓ	Thickness of oven front panel	30

Cabinetry Clearances		mm
Ⓚ	Minimum clearance above oven control panel to upper cabinetry front panel	2
Ⓛ	Minimum clearance between bottom of oven spacer to lower cabinetry front panel	2
Ⓜ	Minimum clearance between adjacent front panel or appliance	3

The models shown in this Planning Guide may not be available in all markets and are subject to change at any time. Product specifications may vary from those shown. This Planning Guide should not be used as installation guidance for any product. Further information is required to safely and correctly install the products featured here. Specific installation guidance will be available on our website fisherpaykel.com

COOKTOP CLEARANCE

If installing a cooktop above the oven, ensure adequate clearance is provided for the cooktop as per the cooktop manufacturer's instructions.



Model no:

Combination Microwave Oven, 76cm - OM76NPTX1

Cabinetry Dimensions - Flush Installation

	mm
Ⓐ Overall cabinet height*	466
Ⓑ Overall cabinet width	764
Ⓒ Minimum inside width of cavity	724
Ⓓ Minimum inside height of cavity*	446
Ⓔ Minimum inside depth of cavity	580
Ⓕ Thickness of cabinet front panel**	19
Ⓖ Thickness of rebate for control panel	11
Ⓗ Ventilation gap***	50

*Height includes a 6mm spacer in the base of the cavity (supplied with product)

**Cabinetry shown in drawings 19mm panels. If the front panel is thinner than 20mm a rebate for the Oven is required to achieve a flush finish

***A rear ventilation air vent totalling 280cm² is required. The air vent must be located at the rear of the cabinet, it can be positioned at the base, sides, back or top of the cavity.

Note: Overall cabinet height is overall product height with minimum clearance above oven control panel to upper cabinetry front panel.

Product Dimensions

	mm
Ⓘ Overall height of product	458
Ⓣ Overall width of product	757
Ⓢ Thickness of oven front panel	30

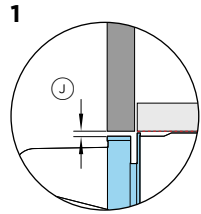
Cabinetry Clearances

	mm
Ⓛ Minimum clearance above oven control panel to upper cabinetry front panel	2
Ⓜ Minimum clearance between bottom of oven spacer to lower cabinetry front panel	2
Ⓝ Minimum clearance between adjacent front panel or appliance	3

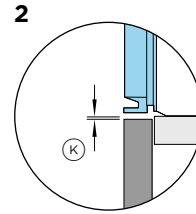
The models shown in this Planning Guide may not be available in all markets and are subject to change at any time. Product specifications may vary from those shown. This Planning Guide should not be used as installation guidance for any product. Further information is required to safely and correctly install the products featured here. Specific installation guidance will be available on our website fisherpaykel.com

NOTE

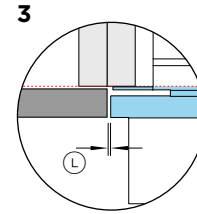
The Warming Drawer can fully support a 76cm Fisher & Paykel oven, without adding a shelf in between.



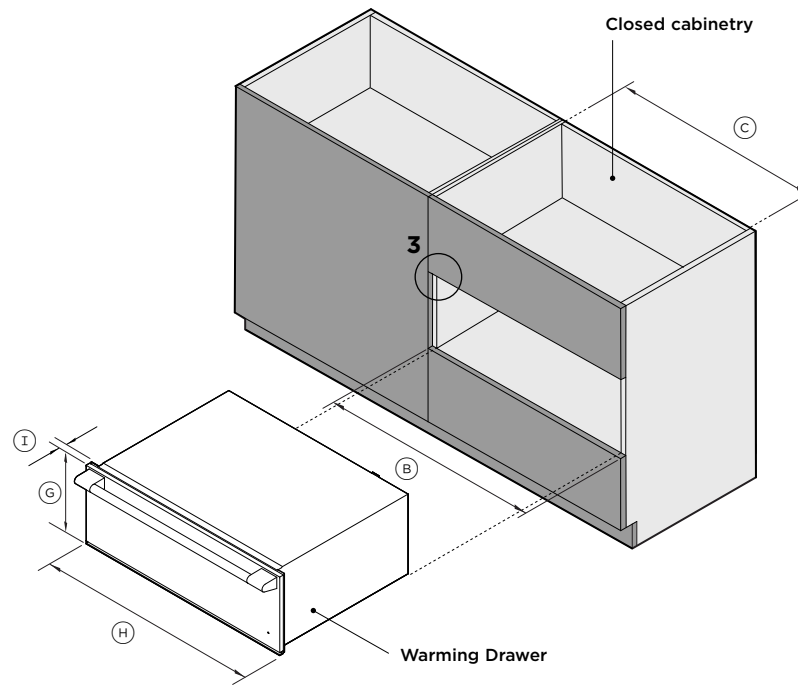
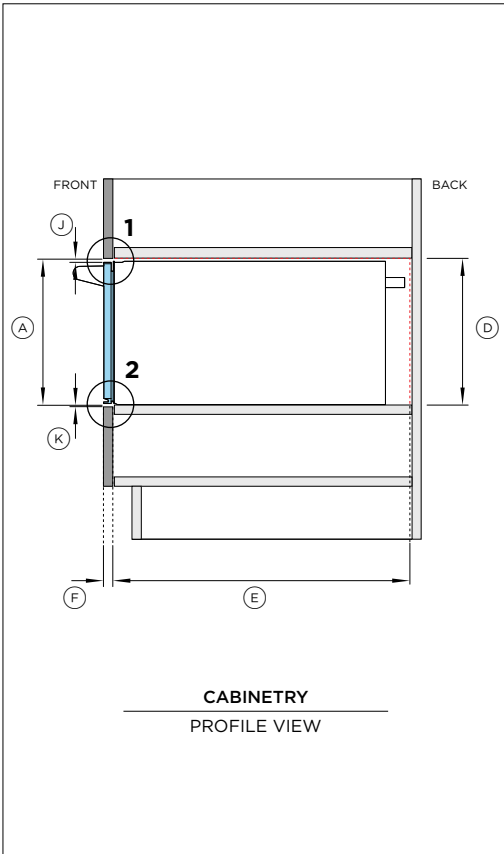
1
CLEARANCE ABOVE
PROFILE VIEW



2
CLEARANCE BOTTOM
PROFILE VIEW



3
ADJACENT CABINET
PLAN VIEW



Model no:

Warming Drawer, 76cm - WB76SPEX1

Cabinetry Dimensions - Flush Installation		mm
Ⓐ	Overall cabinet height*	275
ⓐ	Overall cabinet width	764
ⓒ	Minimum inside width of cavity	724
ⓓ	Minimum inside height of cavity	273
ⓔ	Minimum inside depth of cavity	580
Ⓕ	Thickness of cabinetry front panel*	16-20

**Cabinetry shown in drawings 19mm panels. If the front panel is thinner than 20mm a rebate for the drawer is required to achieve a flush finish

Note: Overall cabinet height is overall product height with minimum clearance above oven control panel to upper cabinetry front panel.

Product Dimensions		mm
ⓑ	Overall height of product	271
ⓑ	Overall width of product	760
ⓔ	Thickness of warming drawer front panel and flange	20

Cabinetry Clearances		mm
ⓖ	Minimum clearance above drawer front panel to upper cabinetry front panel*	4
ⓓ	Minimum clearance between bottom of drawer chassis to lower cabinetry front panel	2
ⓓ	Minimum clearance between adjacent front panel or appliance	2

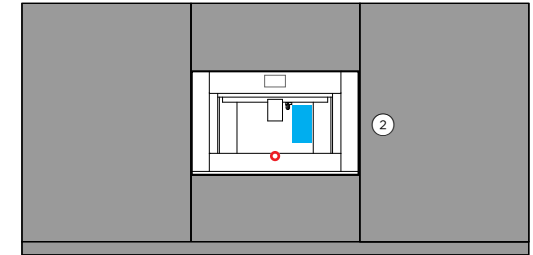
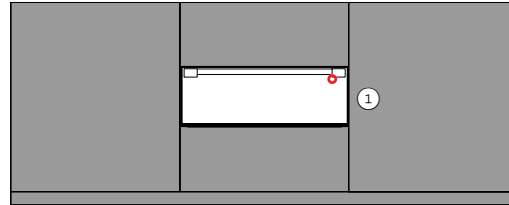
*Achieve a smaller gap between drawer front panel to upper cabinetry front panel by dropping cabinetry front panel down

The models shown in this Planning Guide may not be available in all markets and are subject to change at any time. Product specifications may vary from those shown. This Planning Guide should not be used as installation guidance for any product. Further information is required to safely and correctly install the products featured here. Specific installation guidance will be available on our website fisherpaykel.com

SERVICES

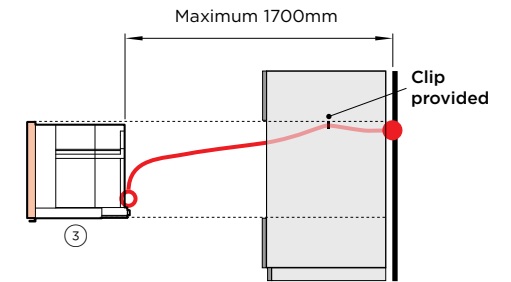
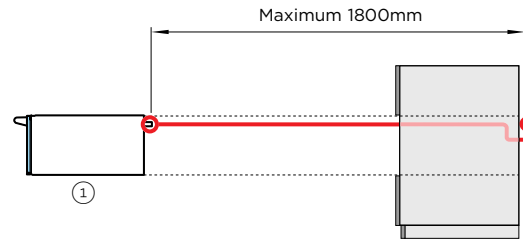
CONNECTION



Connections may be located in an adjacent cabinet to either side of the appliance. Ensure power will remain accessible following install to allow access for any future product maintenance.



BUILT-IN COFFEE MAKER

The power cable must be long enough to allow the appliance to be extracted from the cabinet to fill the coffee bean container. Fix the power cable with the clip.



-  Power Cable
-  Water Tank

① **WARMING DRAWER**
WB76SPEX1

② **BUILT-IN COFFEE MAKER**
EB76PSX1

POWER CORD

Maximum power cord length	1800mm*	1700mm*
Location	Upper right	Lower centered
Connection	Flex cord	Flex cord

*Measured from power outlet

WATER

Total Capacity	-	2.4L
Location	-	Water tank (internal)

ELECTRICAL

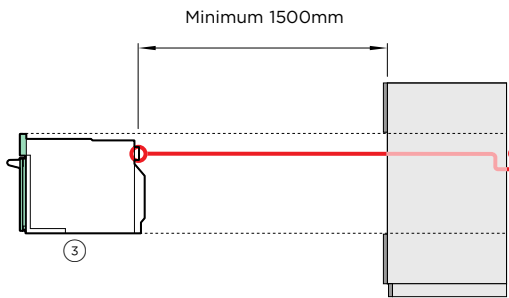
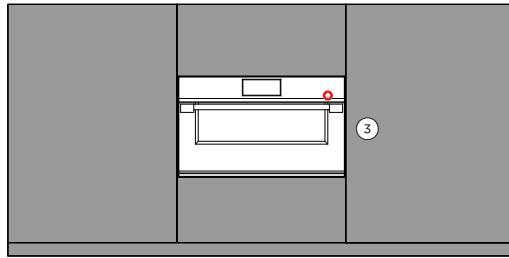
Supply	220-240 V, 50 Hz	220-240 V, 50 Hz
Service	10 A	10 A

Note: Multiple product installation requires the design of power outlets according to local regulations.

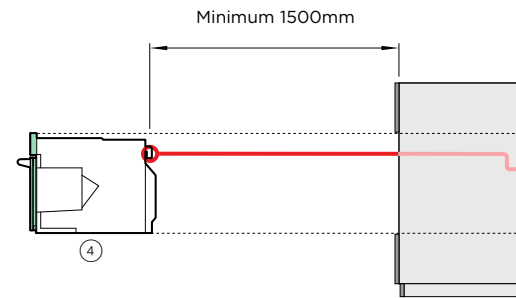
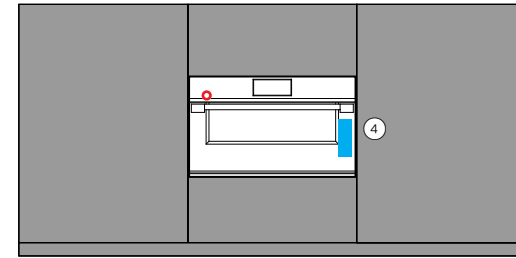
The models shown in this Planning Guide may not be available in all markets and are subject to change at any time. Product specifications may vary from those shown. This Planning Guide should not be used as installation guidance for any product. Further information is required to safely and correctly install the products featured here. Specific installation guidance will be available on our website fisherpaykel.com

SERVICES | POWER CORD LENGTH AND LOCATION

OM76NPTX1, OS76NPTX1



③ COMBINATION MICROWAVE OVEN
OM76NPTX1



④ COMBINATION STEAM OVEN
OS76NPTX1

- Power Cable
- Water Tank

POWER CORD

Power cord free length	Minimum 1500mm*
Location	Upper right
Connection	Hard wire**

*The electrician provides sufficient free length of power supply cable to reach from the bottom rear of the cavity to at least 1500mm in front of the bottom edge of the opening
**For more information, refer to the Installation Guide. Ensure power will remain accessible following install to allow access for any future product maintenance.

WATER

Total Capacity	-
Location	-

ELECTRICAL

Supply	220-240 V, 50 Hz
Service	20 A

Note: Multiple product installation requires the design of power outlets according to local regulations.

Minimum 1500mm*

Upper left

Hard wire**

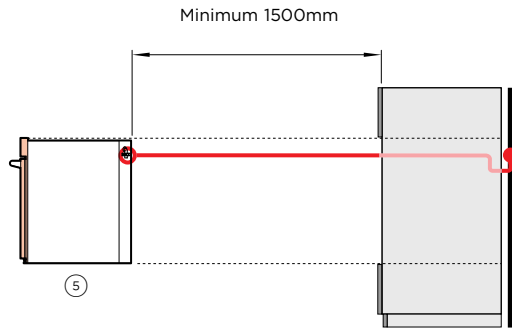
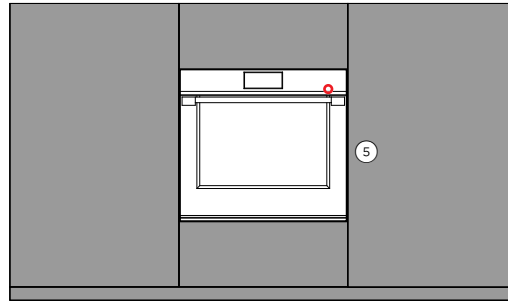
1.4L

Water tank (internal)

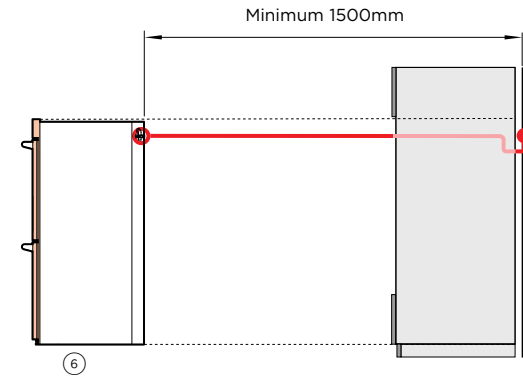
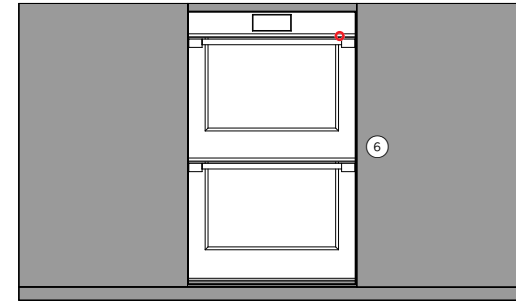
220-240 V, 50 Hz

20 A

The models shown in this Planning Guide may not be available in all markets and are subject to change at any time. Product specifications may vary from those shown. This Planning Guide should not be used as installation guidance for any product. Further information is required to safely and correctly install the products featured here. Specific installation guidance will be available on our website fisherpaykel.com



5 OVEN
OB76SPPTX1



6 DOUBLE OVEN
OB76DPPTX1

Power Cable

POWER CORD

Power cord free length	Minimum 1500mm*	Minimum 1500mm*
Location	Upper right	Upper right
Connection	Hard wire**	Hard wire**

*The electrician provides sufficient free length of power supply cable to reach from the bottom rear of the cavity to at least 1500mm in front of the bottom edge of the opening

**For more information, refer to the Installation Guide. Ensure power will remain accessible following install to allow access for any future product maintenance.

WATER

Total Capacity	-	-
Location	-	-

ELECTRICAL

Supply	220-240 V, 50 Hz	220-240 V, 50 Hz
Service	20 A	40 A

Note: Multiple product installation requires the design of power outlets according to local regulations.

The models shown in this Planning Guide may not be available in all markets and are subject to change at any time. Product specifications may vary from those shown. This Planning Guide should not be used as installation guidance for any product. Further information is required to safely and correctly install the products featured here. Specific installation guidance will be available on our website fisherpaykel.com

