

Read these instructions carefully before installing this product.

This joining kit is designed to enable you to install only multiple Fisher & Paykel Gas on Glass and/or Induction "Pinstripe" cooktops within the same cutout space.

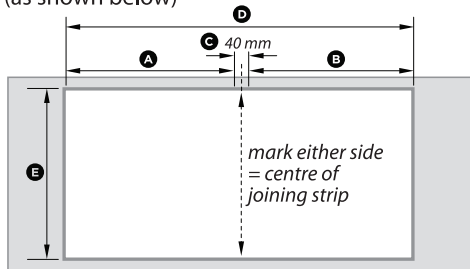
① Calculate the required cutout

This example presumes you are installing both products with no visible gap between the two cooktops.

Refer to the appliance installation guide for the cutout width measurement of each cooktop and add together **A** + **B**. Then add **C** (40 mm) to this measurement (the combined distance between the basepan and the glass edge for each product). This then, will give you the final overall width dimension of the cutout **D**.

For flush installations (not recommended) add together the 'overall width of the routed recess' for each appliance and add 40 mm.

The centre of the joining strip should be positioned where the cutout dimensions meet (as shown below)



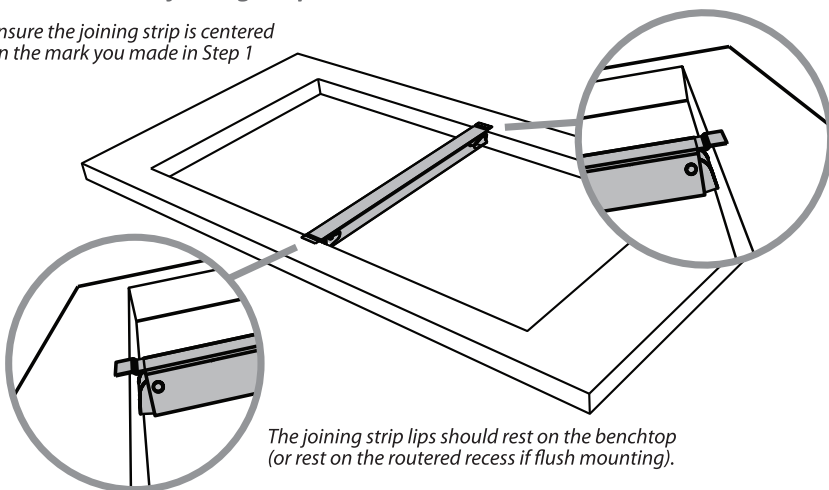
A	Width of cutout for first cooktop
B	Width of cutout for second cooktop
C	Combined width between basepans (40 mm)
D	Overall width of cutout (A + B + C)
E	Overall depth of cutout (490 mm)

Example Two 300 mm wide cooktops

Width Cutout Cooktop 1	Width Cutout Cooktop 2	Width between basepans	Overall width of cutout
A	B	C	D
265 mm	+ 265 mm	+ 40 mm	= 570 mm

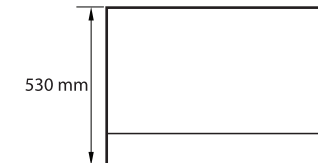
② Fit the metal joining strip into the cutout

Ensure the joining strip is centered on the mark you made in Step 1

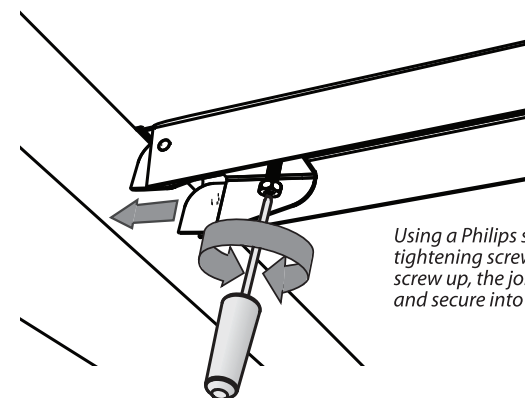


Important!

- The joining kit can only be used on cooktops that are 530 mm deep.
- This joining kit must be fitted BEFORE installing the cooktops.
- Always read the installation instructions for all cooktops to ensure the requirements for all products are met.



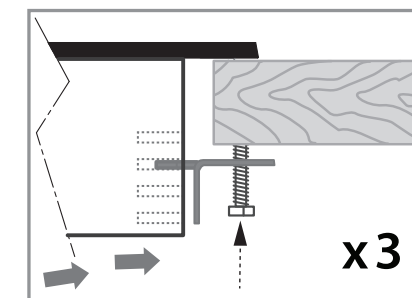
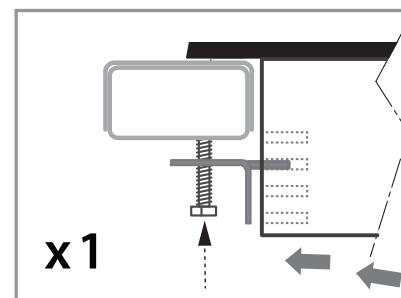
③ Secure the metal joining strip into the cutout at one end



Using a Philips screwdriver, turn the tightening screw. As you gradually screw up, the joining strip will expand and secure into the benchtop.

④ Continue with the cooktop installation for each product but stop when you are about to secure the mounting brackets for the cooktops.

⑤ Install 3 of the mounting brackets as per cooktop installation instructions, but secure one of the side brackets onto the joining strip instead of the benchtop



⑥ Complete the cooktop installation for each product as per cooktop installation instructions.