

**FISHER & PAYKEL**

48" PROFESSIONAL  
RANGES & BACKGUARDS

---

RHV3-484, RDV3-485GD, RDV3-488,  
BGRV2-1248, BGRV2-3048, BGRV3-3048H models

PLANNING GUIDE



**OVERVIEW**

Choose the best of our best to grace your kitchen design with the Dual Fuel Range, 48", with hybrid induction and gas rangetop. This range offers an intuitive, high-resolution touch display, generous capacity from two electronic ovens and comprehensive cooking functions to deliver perfect results on the biggest meals. A stunning combination of cooking flexibility, power and style.

**PRODUCTS**

**RHV3-484-N**

Dual Fuel Range, 48", 4 Burners, 4 Zones

**RHV3-484-L**

Dual Fuel Range, 48", 4 Burners, 4 Zones, LPG

**SERIES & STYLE**

Series 9  
Professional

**FEATURES**

- ① Stainless steel
- ② High-resolution, user-friendly touch display
- ③ Metal illuminated dials with dual stack oven control
- ④ Perfect results from 15 oven functions
- ⑤ Guided cooking by food type and recipes
- ⑥ 4.8 cu ft-capacity main oven and 2.1 cu ft-capacity secondary oven
- ⑦ Self-cleaning main oven with pyrolytic ladders
- ⑧ Precise temperature control with 9 induction heat settings
- ⑨ Sealed Dual Flow Burners™
- ⑩ Dishwasher-proof, cast-iron trivets



**ACCESSORIES**

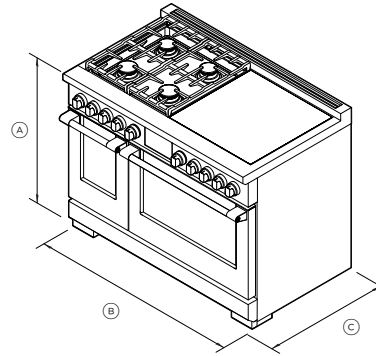
- ① Food probe
- ② Broil pan
- ③ Broil rack
- ④ Full-extension telescopic racks

The models shown in this Planning Guide may not be available in all markets and are subject to change at any time. Product specifications may vary from those shown. This Planning Guide should not be used as installation guidance for any product. Further information is required to safely and correctly install the products featured here. Specific installation guidance will be available on our website [fisherpaykel.com](http://fisherpaykel.com)

**SPECIFICATIONS**

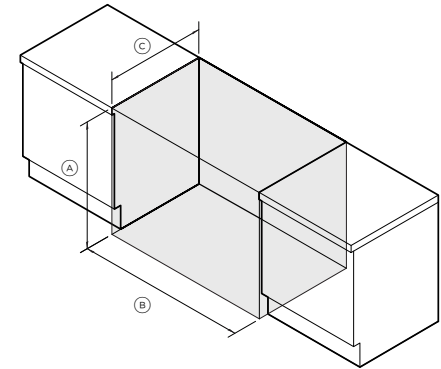
<b>Model No.</b>	RHV3-484-N, RHV3-484-L
<b>Product Dimensions</b>	<b>H</b> 35 3/4" - 36 3/4" (908-933mm) <b>W</b> 47 7/8" (1216) <b>D</b> 29 1/8" (740mm)
<b>Weight</b>	640lb (290kg)
<b>Total oven capacity</b>	
Main	4.8cu ft (136L)
Secondary	2.1cu ft (59L)
<b>Door Clearance</b>	19 1/8" (486mm)
<b>Gas</b>	
Type	Natural Gas 6" to 9" W.C. LP Propane 11" to 14" W.C.
Connection	1/2" NPT Minimum 5/8" dia. flex line
<b>Electrical</b>	
Supply	120/240 V, 60 Hz
Service	50 A
Connection	4-prong grounding type (NEMA 14-50 plug)

**PRODUCT DIMENSIONS**



	mm	Inch
<b>(A) Overall height (from floor to cooktop, excl. grates and vent trim)</b>	min 908 max 933	min 35 3/4 max 36 3/4
<b>(B) Overall width</b>	1216	47 7/8
<b>(C) Depth from front of range to rear (incl. vent trim, excl. dials and handle)</b>	740	29 1/8

**CAVITY DIMENSIONS: STANDARD INSTALLATION**



	mm	Inch
<b>(A) Overall height of cavity*</b>		
• for level counter	908	35 3/4
• with range levelling legs fully extended	933	36 3/4
<b>(B) Overall width of cavity</b>	1219	48
<b>(C) Maximum depth of cavity</b>		
• projecting control panel	638	25 1/8
• flush control panel	703	27 11/16

\*Depending on height of range

The models shown in this Planning Guide may not be available in all markets and are subject to change at any time. Product specifications may vary from those shown. This Planning Guide should not be used as installation guidance for any product. Further information is required to safely and correctly install the products featured here. Specific installation guidance will be available on our website [fisherpaykel.com](http://fisherpaykel.com)



**OVERVIEW**

Create a beautiful centrepiece for your kitchen design with the Dual Fuel Range, 48". This range offers an intuitive, high-resolution touch display, generous capacity from two electronic ovens and comprehensive cooking functions to deliver perfect results on the biggest meals. Power and style in pure harmony.

**PRODUCTS**

**RDV3-488-N**

Dual Fuel Range, 48", 8 Burners

**RDV3-488-L**

Dual Fuel Range, 48", 8 Burners, LPG

**RDV3-485GD-N**

Dual Fuel Range, 48", 5 Burners with Griddle

**RDV3-485GD-L**

Dual Fuel Range, 48", 5 Burners with Griddle, LPG

**SERIES & STYLE**

Series 9

Professional

**FEATURES**

- ① Stainless steel
- ② High-resolution, user-friendly touch display
- ③ Metal illuminated dials with dual stack oven control
- ④ Perfect results from 15 oven functions
- ⑤ Guided cooking by food type and recipes
- ⑥ 4.8 cu ft-capacity main oven and 2.1 cu ft-capacity secondary oven
- ⑦ Self-cleaning main oven with pyrolytic ladders
- ⑧ Sealed Dual Flow Burners™
- ⑨ Dishwasher-proof, cast-iron trivets
- ⑩ Griddle model available

**ACCESSORIES**

- ① Food probe
- ② Broil pan
- ③ Broil rack
- ④ Full-extension telescopic racks
- ⑤ Griddle cover (selected models only)

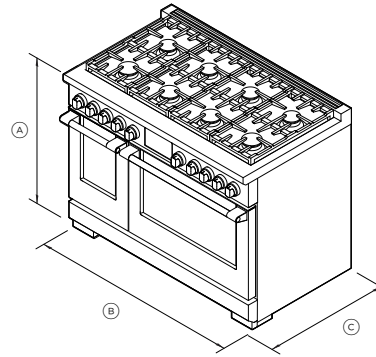


The models shown in this Planning Guide may not be available in all markets and are subject to change at any time. Product specifications may vary from those shown. This Planning Guide should not be used as installation guidance for any product. Further information is required to safely and correctly install the products featured here. Specific installation guidance will be available on our website [fisherpaykel.com](http://fisherpaykel.com)

**SPECIFICATIONS**

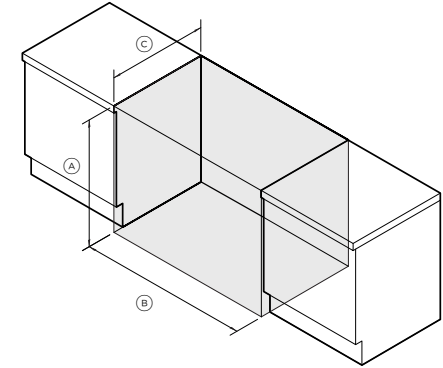
<b>Model No.</b>	RDV3-488-N, RDV3-488-L, RDV3-485GD-N, RDV3-485GD-L
<b>Product Dimensions</b>	<b>H</b> 35 3/4" – 36 3/4" (908-933mm) <b>W</b> 47 7/8" (1216) <b>D</b> 29 1/8" (740mm)
<b>Weight</b>	640lb (290kg)
<b>Total oven capacity</b>	
Main	4.8cu ft (136L)
Secondary	2.1cu ft (59L)
<b>Door Clearance</b>	19 1/8" (486mm)
<b>Gas</b>	
Type	Natural Gas 6" to 9" W.C. LP Propane 11" to 14" W.C.
Connection	1/2" NPT Minimum 5/8" dia. flex line
<b>Electrical</b>	
Supply	120/240 V, 60 Hz
Service	50 A
Connection	4-prong grounding type (NEMA 14-50 plug)

**PRODUCT DIMENSIONS**



	mm	Inch
<b>A Overall height (from floor to cooktop, excl. grates and vent trim)</b>	min 908 max 933	min 35 3/4 max 36 3/4
<b>B Overall width</b>	1216	47 7/8
<b>C Overall depth (excl. handles and dials)</b>	740	29 1/8

**CAVITY DIMENSIONS: STANDARD INSTALLATION**



	mm	Inch
<b>A Overall height of cavity*</b>		
• for level counter	908	35 3/4
• with range levelling legs fully extended	933	36 3/4
<b>B Overall width of cavity</b>	1219	48
<b>C Maximum depth of cavity</b>		
• projecting control panel	638	25 1/8
• flush control panel	703	27 11/16

\*Depending on height of range

The models shown in this Planning Guide may not be available in all markets and are subject to change at any time. Product specifications may vary from those shown. This Planning Guide should not be used as installation guidance for any product. Further information is required to safely and correctly install the products featured here. Specific installation guidance will be available on our website [fisherpaykel.com](http://fisherpaykel.com)

## CONTENTS

	PAGE	
	in	mm
<hr/>		
<b>48" Professional Range</b>		
<b>RHV3-484, RDV3-485GD, RDV3-488</b>		
Key Design Decisions	5	20
Ventilation Requirements	6	21
<hr/>		
<b>48" Professional Range</b>		
<b>RHV3-484-N, RHV3-484-L</b>		
Product & Cavity Dimensions	7	22
Clearance Dimensions	8	23
Cavity Preparation	9	24
<hr/>		
<b>48" Professional Range</b>		
<b>RDV3-485GD-N, RDV3-485GD-L</b>		
Product & Cavity Dimensions	10	25
Clearance Dimensions	11	26
Cavity Preparation	12	27
<hr/>		
<b>48" Professional Range</b>		
<b>RDV3-488-N, RDV3-488-L</b>		
Product & Cavity Dimensions	13	28
Clearance Dimensions	14	29
Cavity Preparation	15	30
<hr/>		

**CONTENTS (continued)**

<b>48" Professional Range Backguard BGRV2-1248</b>	<b>PAGE</b>	
Product Dimensions	16	31
<b>48" Professional Range Backguard BGRV2-3048</b>		
Product Dimensions	17	32
<b>48" Professional Range Backguard BGRV3-3048H</b>		
Product Dimensions	18	33

IMPERIAL



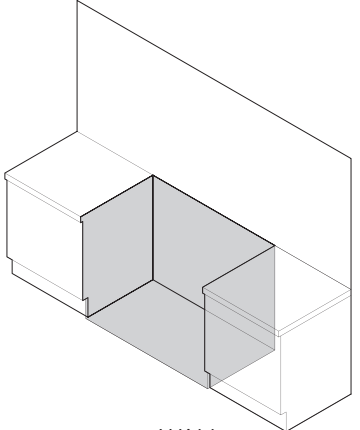
# FISHER & PAYKEL

## KEY DESIGN DECISIONS 48" Professional Range

Model no:  
**RHV3-484, RDV3-486GD, RDV3-488**

1

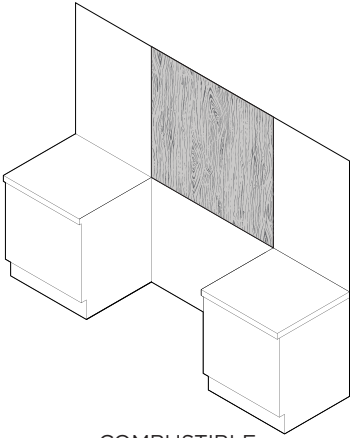
### INSTALL TYPE



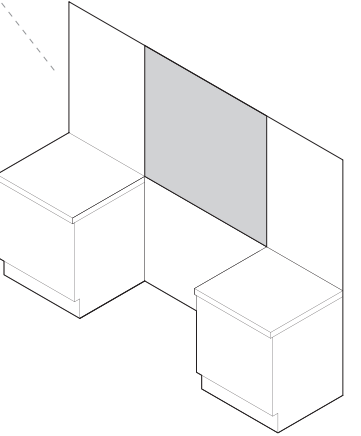
WALL

2

### REAR SURFACE



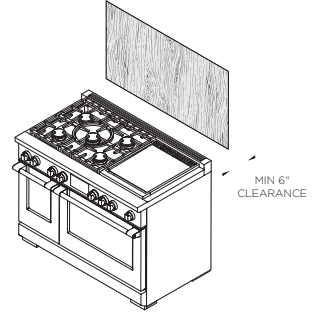
COMBUSTIBLE



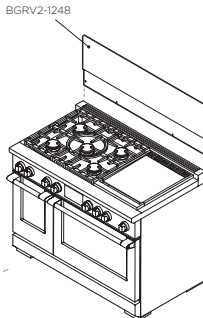
NON COMBUSTIBLE

3

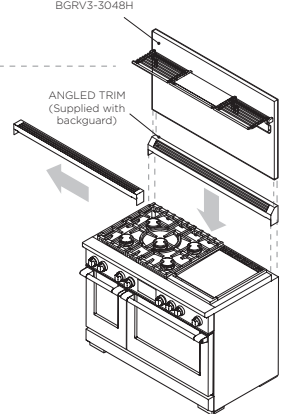
### BACKGUARD OPTIONS



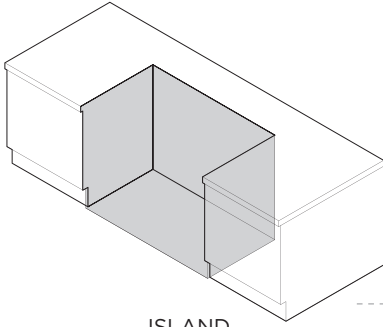
NO BACKGUARD



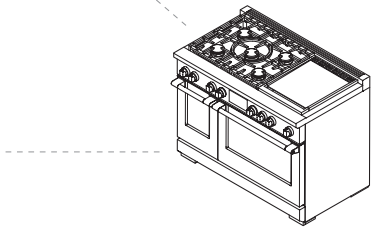
LOW THIN BACKGUARD



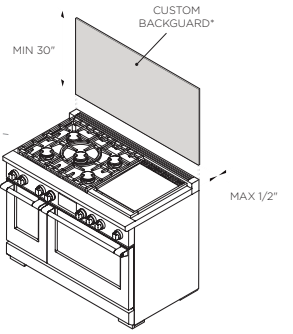
HIGH THICK BACKGUARD WITH ANGLED TRIM



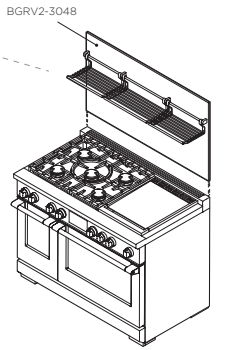
ISLAND



NO BACKGUARD



CUSTOM FABRICATED\* BACKGUARD  
\*Fabricated from non combustible materials only



HIGH THIN BACKGUARD

DATE: **20.06.2024**

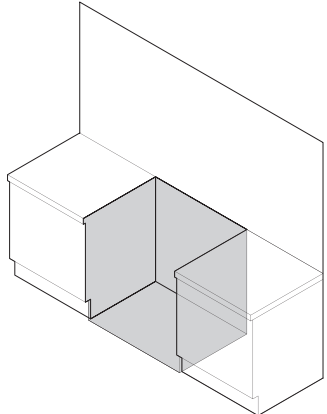
IMPORTANT: Throughout this guide, dimensions may vary by ±2mm (1/16"). Read the installation guide for detailed information on installing the product. For full installation instructions and specifications visit [fisherpaykel.com](http://fisherpaykel.com)

# FISHER & PAYKEL

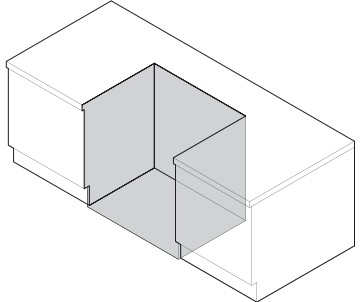
## VENTILATION REQUIREMENTS 48" Professional Range

1

### INSTALL TYPE



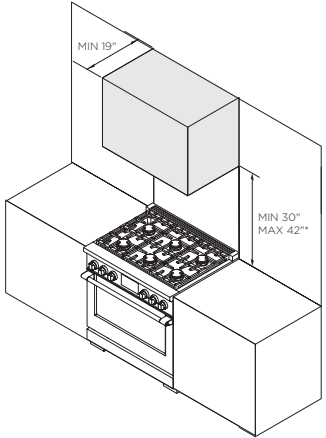
WALL



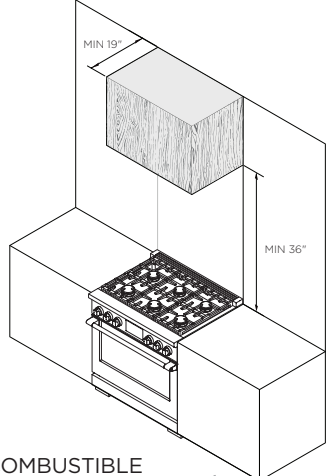
ISLAND

2

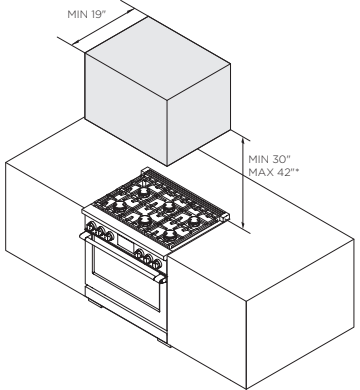
### HOOD SURROUND MATERIAL



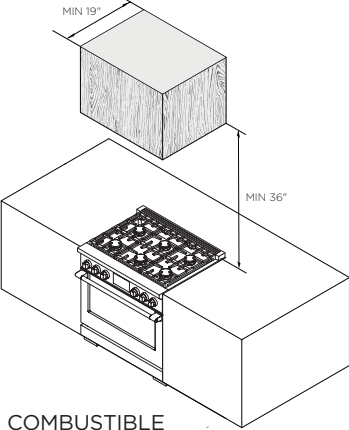
NON COMBUSTIBLE



COMBUSTIBLE



NON COMBUSTIBLE



COMBUSTIBLE

Model no:

**RHV3-484, RDV3-486GD, RDV3-488**

Note: RGV3-366 illustrated but all dimensions apply to the above models

**Specifications**

Ventilation Unit	Wall Installation
Hood	Minimum 19" Deep x Unit Width
Blower	Minimum 1100 CFM

Ventilation Unit	Island Installation
Hood	Minimum 19" Deep x Unit Width
Blower	Minimum 1100 CFM

Note: A suitable hood must be installed above the range. The above indicates the minimum blower capacity recommended for hood ventilation.

\*Recommended maximum.

DATE: **20.06.2024**

IMPORTANT: Throughout this guide, dimensions may vary by ±2mm (1/16"). Read the installation guide for detailed information on installing the product. For full installation instructions and specifications visit [fisherpaykel.com](http://fisherpaykel.com)

# FISHER & PAYKEL

## PRODUCT & CAVITY DIMENSIONS 48" Professional Range - Dual Fuel/Induction

Model no:  
**RHV3-484**

Product Dimensions	in
Ⓐ Height of range (from floor to cooktop, excluding grates and rear trim)	min 35 3/4" max 36 3/4"
Ⓑ Overall width of range	47 7/8"
Ⓒ Overall depth of range (excluding handle and dials)	29 1/8"
Ⓓ Depth from rear of chassis to cabinetry face - projecting	25 3/8"
Ⓔ Depth from rear of chassis to cabinetry face - flush	27 11/16"
Ⓕ Height from countertop to top of pan supports	1 9/16"
Ⓖ Height of rear trim	1 3/4"
Ⓗ Depth of rear trim	2 7/8"
Ⓙ Height from countertop to bottom of control panel	7 3/4"
Ⓚ Height from countertop to top of door	8 1/8"
Ⓛ Height from countertop to centre of handle	9 7/16"
Ⓜ Height from countertop to bottom of door	29"
Ⓝ Height from countertop to top of lower panel	29 15/16"
Ⓟ Height from countertop to bottom of lower panel	33 5/8"
Ⓞ Thickness of handle (not including standoffs)	1 1/4"
Ⓠ Width of handle (including standoffs) - right	31"
- left	14 15/16"
Ⓡ Depth of handle (measured from front of door)	2 7/8"
Ⓢ Depth of front of cooktop to control panel	1 7/16"
Ⓣ Height of cooktop front face	1 3/8"
Ⓩ Height from top of cooktop to control panel	2"
Ⓤ Depth of open door to cabinetry face - flush	19 1/8"
Ⓡ Adjustable feet height	min 1/2" max 1 1/2"

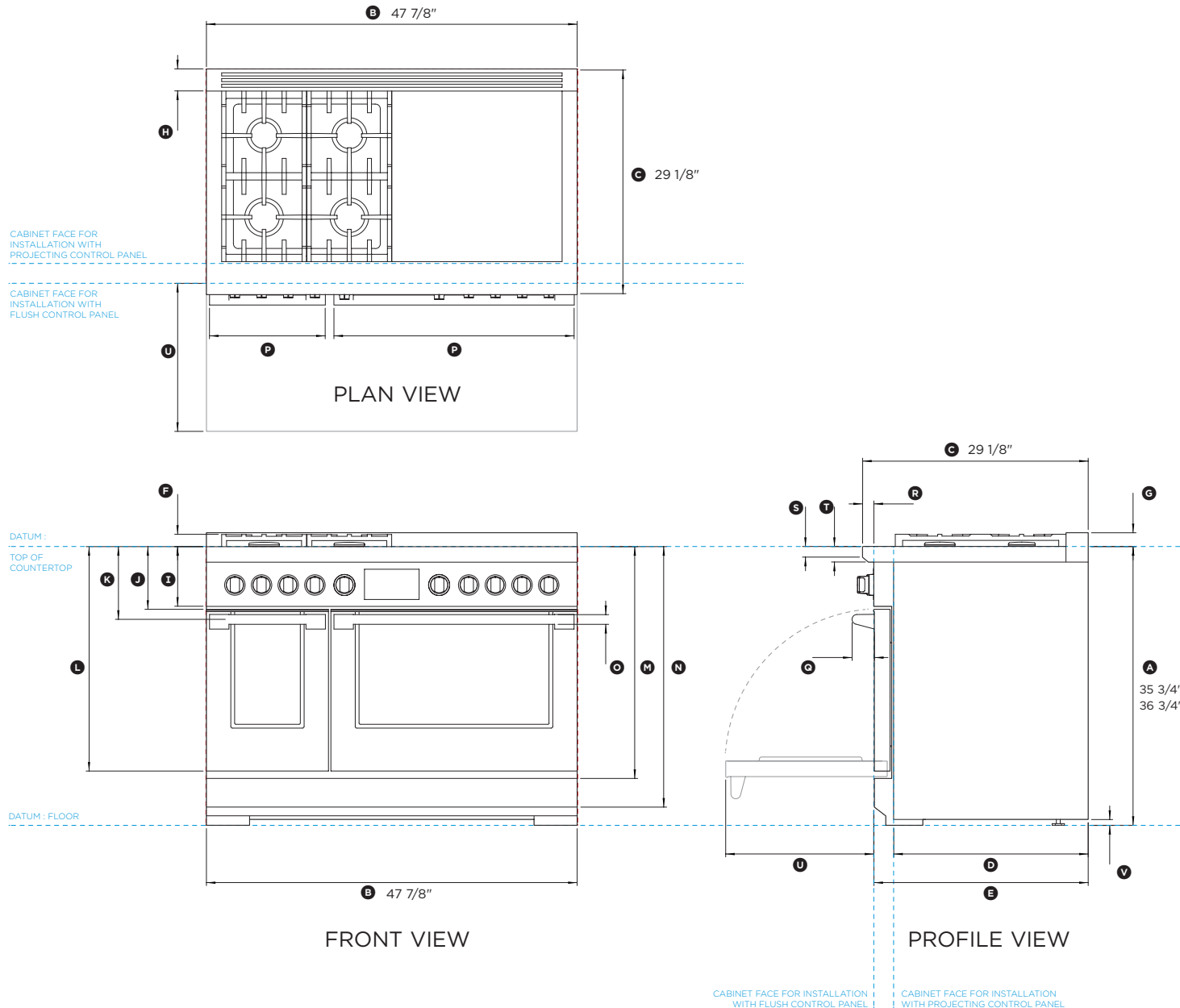
Cavity Dimensions	mm
Overall width of cavity	min 48"
Overall depth of cavity for projecting control panel	max 25 3/8"
Overall depth of cavity for flush control panel	max 27 11/16"
Maximum height of from floor to countertop	35 3/4" 36 3/4"

IMPORTANT NOTE: For full installation and clearance details please refer to our installation manual.

INDICATES PRODUCT DATUM -----

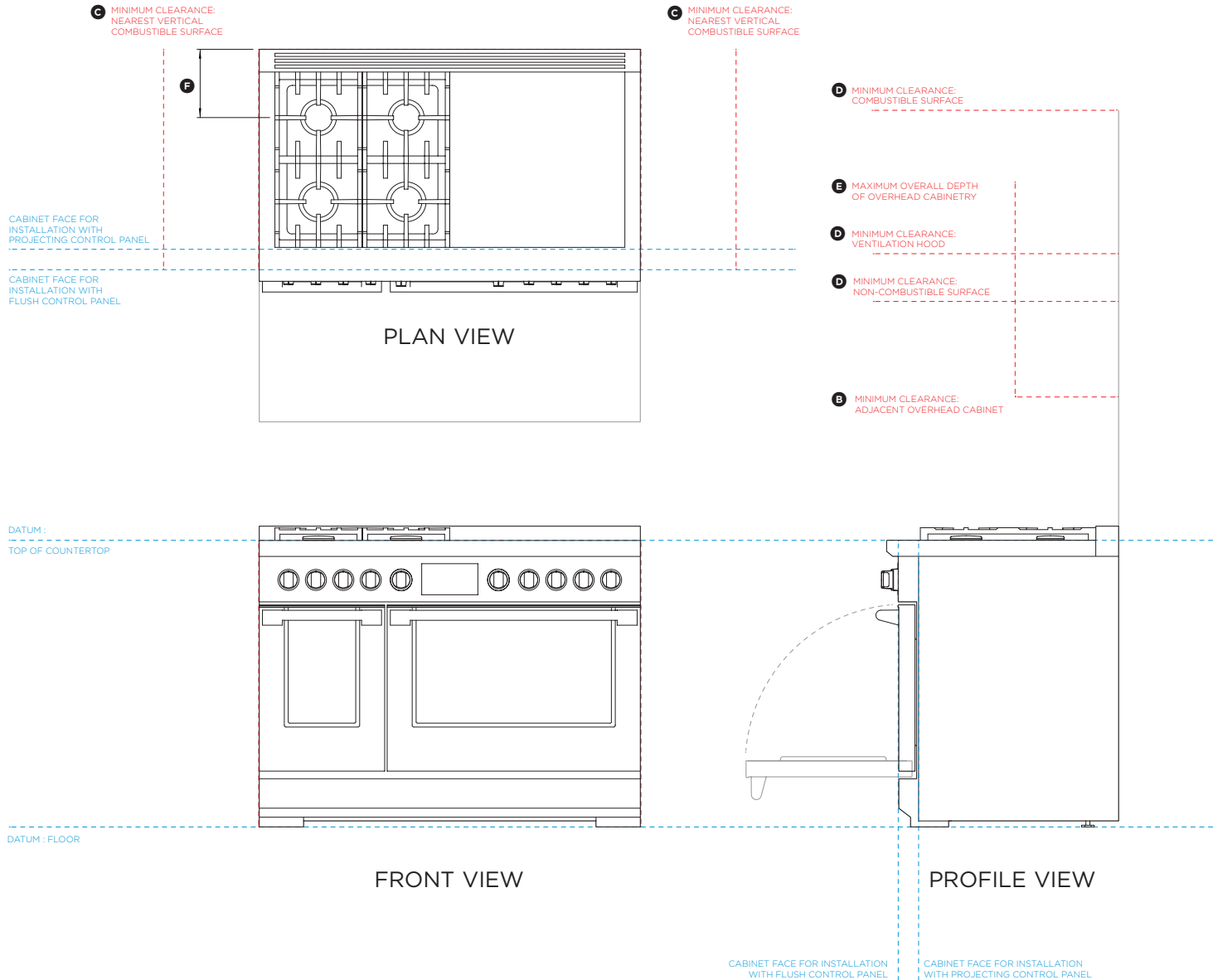
DATE: **20.06.2024**

IMPORTANT: Throughout this guide, dimensions may vary by ±2mm (1/16"). Read the installation guide for detailed information on installing the product. For full installation instructions and specifications visit [fisherpaykel.com](http://fisherpaykel.com)



# FISHER & PAYKEL

## CLEARANCE DIMENSIONS 48" Professional Range - Dual Fuel/Induction



Model no:  
**RHV3-484**

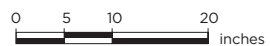
Clearance Dimensions	in
Ⓐ Minimum width of ventilation hood installed above range - not shown*	48"
Ⓑ Minimum vertical distance between countertop and cabinet extending above counter	18"
Ⓒ Minimum clearance from left and right of range to nearest vertical combustible surface	12"
Ⓓ Minimum clearance from cooking surface to: - combustible surface centered above the cooking surface - combustible covering for ventilation hood centered above the cooking surface - non-combustible surface** centered above the cooking surface	54" 36" 30"
Ⓔ Maximum overall depth of overhead cabinetry	13"
Ⓕ Distance from center of rear burner to rear of product	8 5/8"

\*IMPORTANT NOTE: For full installation and clearance details please refer to our installation manual.

\*\*Non-combustible surfaces: as defined in 'National Fuel Gas Code' (ANSI Z223.1, Current Edition). Clearances from non-combustible materials are not part of the ANSI Z21.1 scope and are not certified by UL. Clearances of less than 6" (152mm) must be approved by the local codes and/or by the local authority having jurisdiction.

DATE: **20.06.2024**

IMPORTANT: Throughout this guide, dimensions may vary by ±2mm (1/16"). Read the installation guide for detailed information on installing the product. For full installation instructions and specifications visit [fisherpaykel.com](http://fisherpaykel.com)

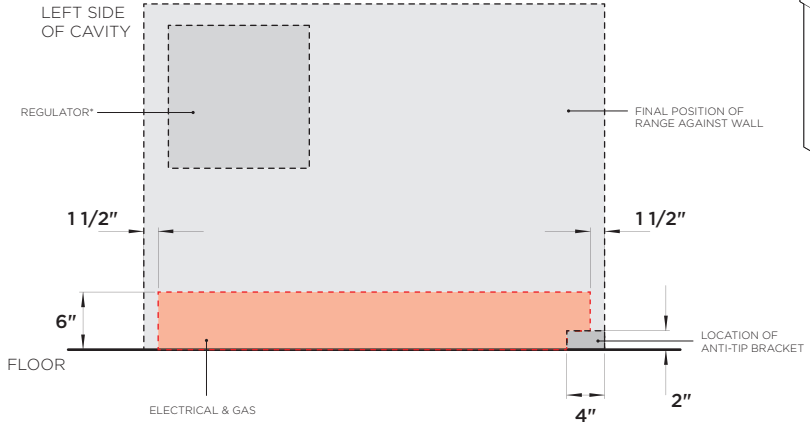


# FISHER & PAYKEL

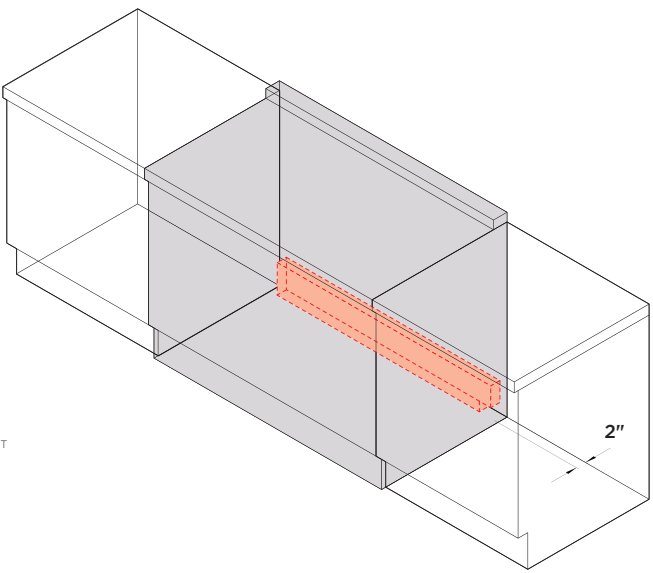
## CAVITY PREPARATION 48" Professional Range - Dual Fuel/Induction

Model no:  
**RHV3-484**

Specifications	
<b>Oven Total Capacity</b>	2.1 cu.ft. + 4.8 cu.ft
<b>Electrical</b>	
Supply	120/240 V, 60 Hz
Service	50 A
Connection	4-prong grounding type (NEMA 14-50P plug)
<b>Gas</b>	
Types	Natural Gas 6" to 9" W.C LP Propane 11" to 14" W.C
Connection	1/2" NPT Minimum 5/8" dia. flex line



REAR OF CAVITY



\*Regulator location may vary depending on model.

IMPORTANT NOTE: For full installation and connection details please refer to our installation manual.

DATE: **20.06.2024**

IMPORTANT: Throughout this guide, dimensions may vary by ±2mm (1/16"). Read the installation guide for detailed information on installing the product. For full installation instructions and specifications visit [fisherpaykel.com](http://fisherpaykel.com)

# FISHER & PAYKEL

## PRODUCT & CAVITY DIMENSIONS 48" Professional Range - Dual Fuel

Model no:  
**RDV3-485GD**

Product Dimensions	in
Ⓐ Height of range (from floor to cooktop, excluding grates and rear trim)	min 35 3/4" max 36 3/4"
Ⓑ Overall width of range	47 7/8"
Ⓒ Overall depth of range (excluding handle and dials)	29 1/8"
Ⓓ Depth from rear of chassis to cabinetry face - projecting	25 3/8"
Ⓔ Depth from rear of chassis to cabinetry face - flush	27 11/16"
Ⓕ Height from countertop to top of pan supports	1 9/16"
Ⓖ Height of rear trim	1 3/4"
Ⓗ Depth of rear trim	2 7/8"
Ⓙ Height from countertop to bottom of control panel	7 3/4"
Ⓚ Height from countertop to top of door	8 1/8"
Ⓛ Height from countertop to centre of handle	9 7/16"
Ⓜ Height from countertop to bottom of door	29"
Ⓝ Height from countertop to top of lower panel	29 15/16"
Ⓟ Height from countertop to bottom of lower panel	33 5/8"
Ⓞ Thickness of handle (not including standoffs)	1 1/4"
Ⓠ Width of handle (including standoffs) - right	31"
- left	14 15/16"
Ⓡ Depth of handle (measured from front of door)	2 7/8"
Ⓢ Depth of front of cooktop to control panel	1 7/16"
Ⓣ Height of cooktop front face	1 3/8"
Ⓤ Height from top of cooktop to control panel	2"
Ⓡ Depth of open door to cabinetry face - flush	19 1/8"
Ⓡ Adjustable feet height	min 1/2" max 1 1/2"

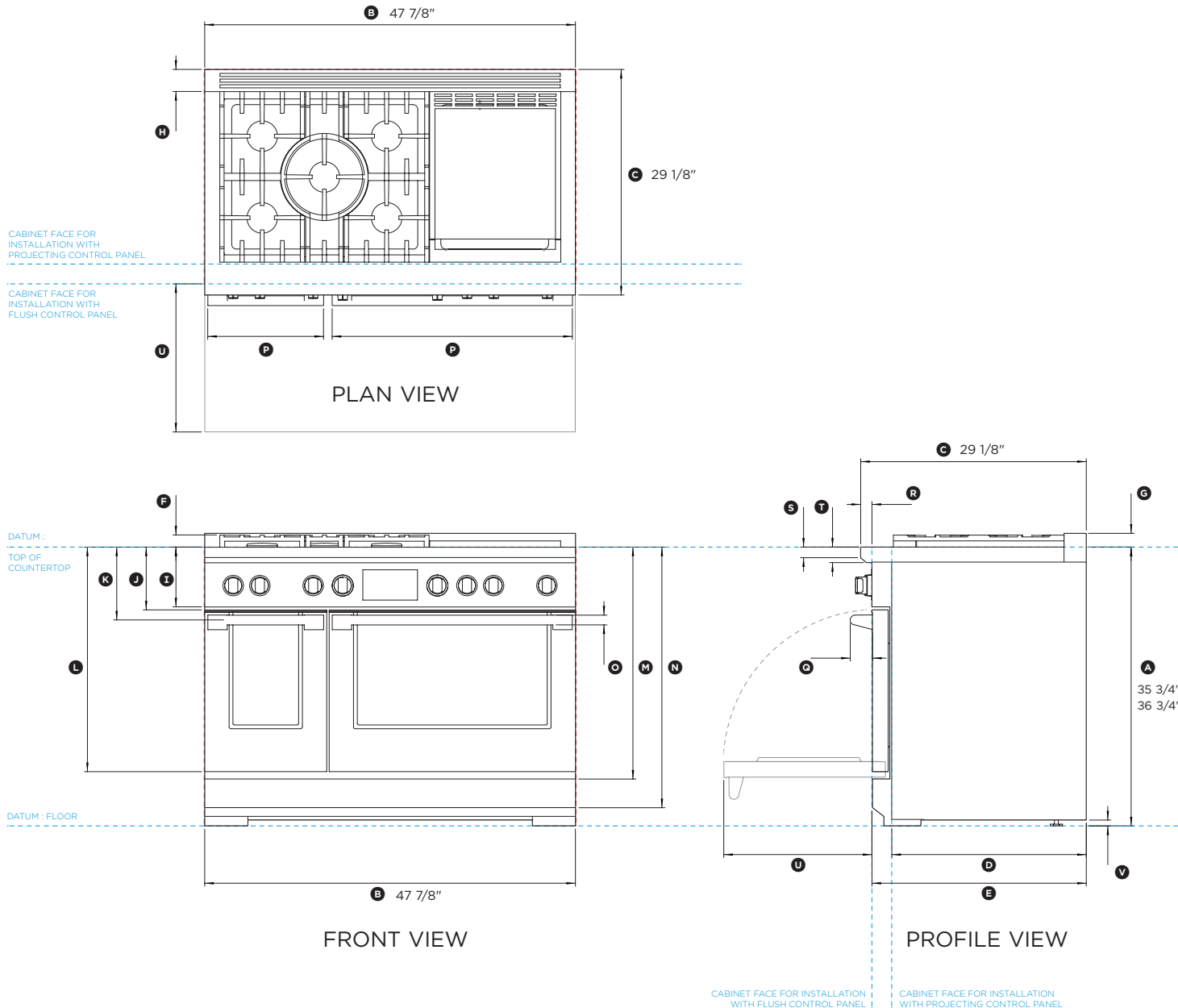
Cavity Dimensions	mm
Overall width of cavity	min 48"
Overall depth of cavity for projecting control panel	max 25 3/8"
Overall depth of cavity for flush control panel	max 27 11/16"
Overall height of cavity	35 3/4" 36 3/4"

IMPORTANT NOTE: For full installation and clearance details please refer to our installation manual.

INDICATES PRODUCT DATUM -----

DATE: **20.06.2024**

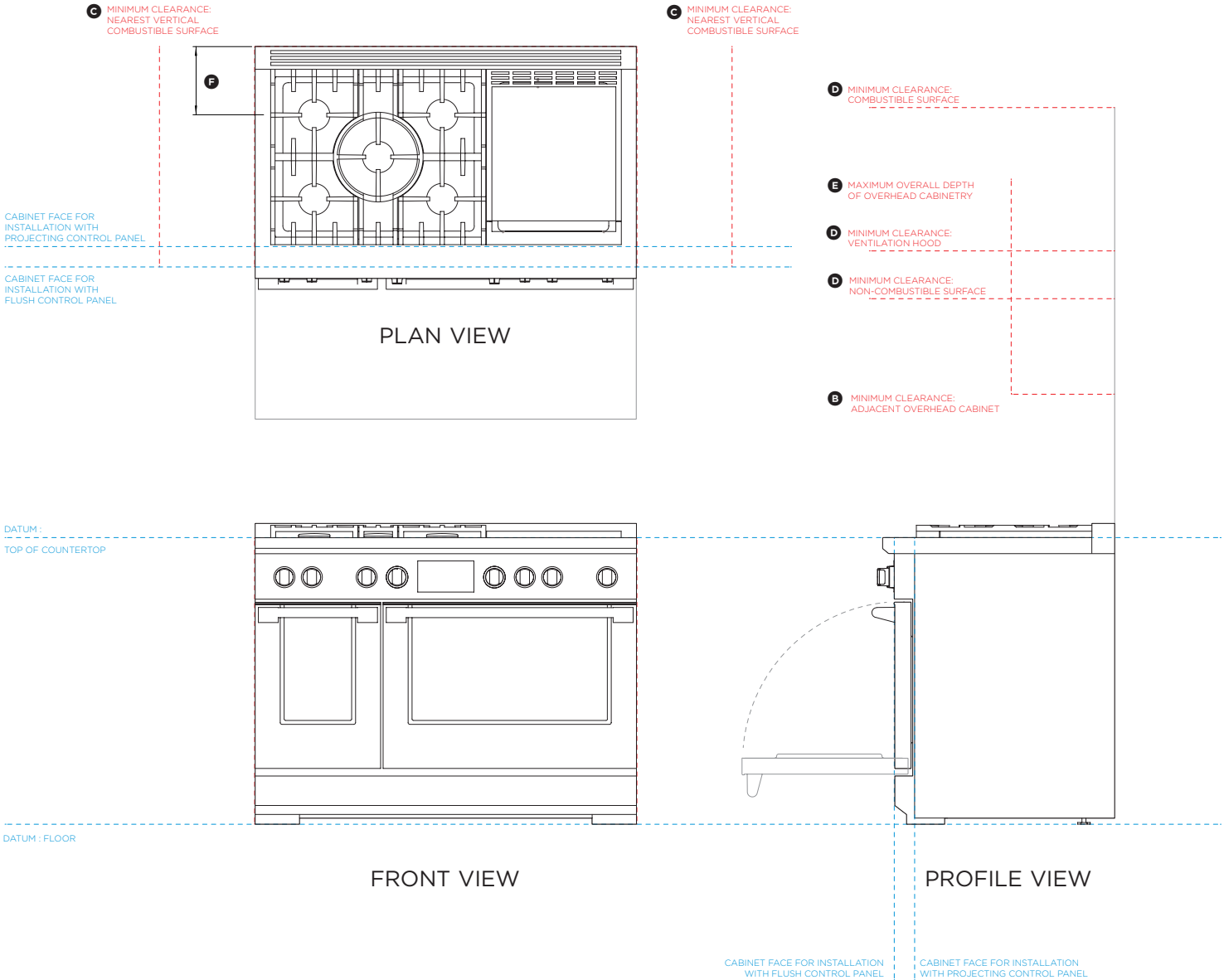
IMPORTANT: Throughout this guide, dimensions may vary by ±2mm (1/16"). Read the installation guide for detailed information on installing the product. For full installation instructions and specifications visit [fisherpaykel.com](http://fisherpaykel.com)



0 5 10 20  
inches

# FISHER & PAYKEL

## CLEARANCE DIMENSIONS 48" Professional Range - Dual Fuel



Model no:  
**RDV3-485GD**

Clearance Dimensions	in
Ⓐ Minimum width of ventilation hood installed above range - not shown*	48"
Ⓑ Minimum vertical distance between countertop and cabinet extending above counter	18"
Ⓒ Minimum clearance from left and right of range to nearest vertical combustible surface	12"
Ⓓ Minimum clearance from cooking surface to: - combustible surface centered above the cooking surface - combustible covering for ventilation hood centered above the cooking surface - non-combustible surface** centered above the cooking surface	54" 36" 30"
Ⓔ Maximum overall depth of overhead cabinetry	13"
Ⓕ Distance from center of rear burner to rear of product	8 5/8"

\*IMPORTANT NOTE: For full installation and clearance details please refer to our installation manual.

\*\*Non-combustible surfaces: as defined in 'National Fuel Gas Code' (ANSI Z223.1, Current Edition). Clearances from non-combustible materials are not part of the ANSI Z21.1 scope and are not certified by UL. Clearances of less than 6" (152mm) must be approved by the local codes and/or by the local authority having jurisdiction.

INDICATES CABINERY CLEARANCES - - - - -

INDICATES PRODUCT DATUM - - - - -

DATE: **20.06.2024**

IMPORTANT: Throughout this guide, dimensions may vary by ±2mm (1/16"). Read the installation guide for detailed information on installing the product. For full installation instructions and specifications visit [fisherpaykel.com](http://fisherpaykel.com)



# FISHER & PAYKEL

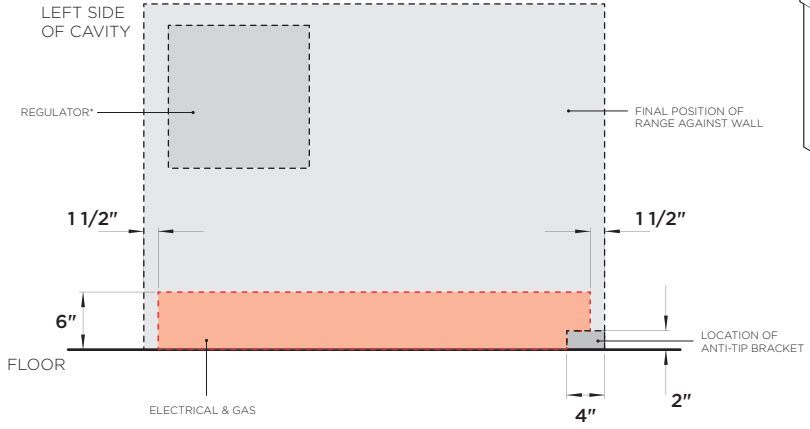
## CAVITY PREPARATION 48" Professional Range - Dual Fuel

Model no:  
**RDV3-485GD**

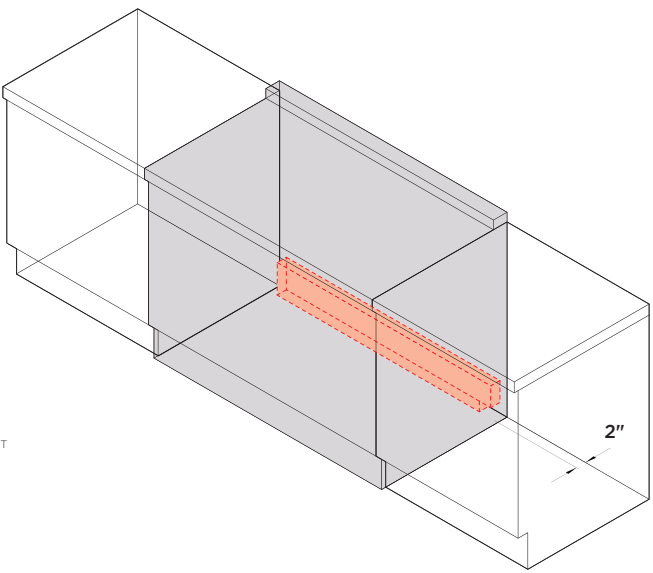
Specifications	
<b>Oven Total Capacity</b>	2.1 cu.ft + 4.8 cu.ft
<b>Electrical</b>	
Supply	120/240 V, 60 Hz
Service	50 A
Connection	4-prong grounding type (NEMA 14-50P plug)
<b>Gas</b>	
Types	Natural Gas 6" to 9" W.C LP Propane 11" to 14" W.C
Connection	1/2" NPT Minimum 5/8" dia. flex line

\*Regulator location may vary depending on model.

IMPORTANT NOTE: For full installation and connection details please refer to our installation manual.



REAR OF CAVITY



DATE: **20.06.2024**

IMPORTANT: Throughout this guide, dimensions may vary by ±2mm (1/16"). Read the installation guide for detailed information on installing the product. For full installation instructions and specifications visit [fisherpaykel.com](http://fisherpaykel.com)



# FISHER & PAYKEL

## PRODUCT & CAVITY DIMENSIONS 48" Professional Range - Dual Fuel

Model no:  
**RDV3-488**

Product Dimensions	in
Ⓐ Height of range (from floor to cooktop, excluding grates and rear trim)	min 35 3/4" max 36 3/4"
Ⓑ Overall width of range	47 7/8"
Ⓒ Overall depth of range (excluding handle and dials)	29 1/8"
Ⓓ Depth from rear of chassis to cabinetry face - projecting	25 3/8"
Ⓔ Depth from rear of chassis to cabinetry face - flush	27 11/16"
Ⓕ Height from countertop to top of pan supports	1 9/16"
Ⓖ Height of rear trim	1 3/4"
Ⓗ Depth of rear trim	2 7/8"
Ⓙ Height from countertop to bottom of control panel	7 3/4"
Ⓚ Height from countertop to top of door	8 1/8"
Ⓛ Height from countertop to centre of handle	9 7/16"
Ⓜ Height from countertop to bottom of door	29"
Ⓝ Height from countertop to top of lower panel	29 15/16"
Ⓞ Height from countertop to bottom of lower panel	33 5/8"
Ⓟ Thickness of handle (not including standoffs)	1 1/4"
Ⓠ Width of handle (including standoffs) - right	31"
- left	14 15/16"
Ⓡ Depth of handle (measured from front of door)	2 7/8"
Ⓢ Depth of front of cooktop to control panel	1 7/16"
Ⓣ Height of cooktop front face	1 3/8"
Ⓤ Height from top of cooktop to control panel	2"
Ⓡ Depth of open door to cabinetry face - flush	19 1/8"
Ⓢ Adjustable feet height	min 1/2" max 1 1/2"

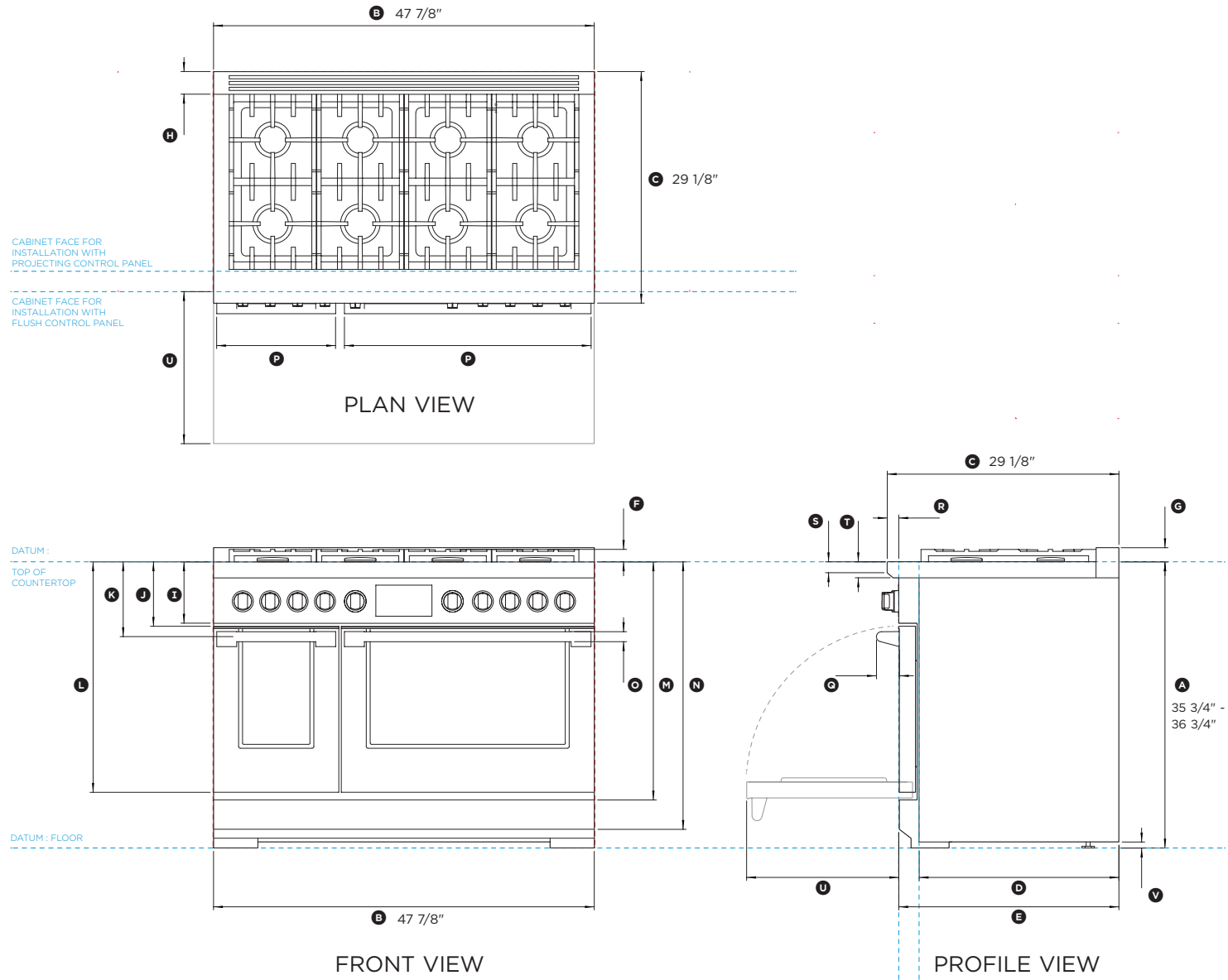
Cavity Dimensions	mm
Overall width of cavity	min 48"
Overall depth of cavity for projecting control panel	max 25 3/8"
Overall depth of cavity for flush control panel	max 27 11/16"
Overall height of cavity	35 3/4" 36 3/4"

IMPORTANT NOTE: For full installation and clearance details please refer to our installation manual.

INDICATES PRODUCT DATUM -----

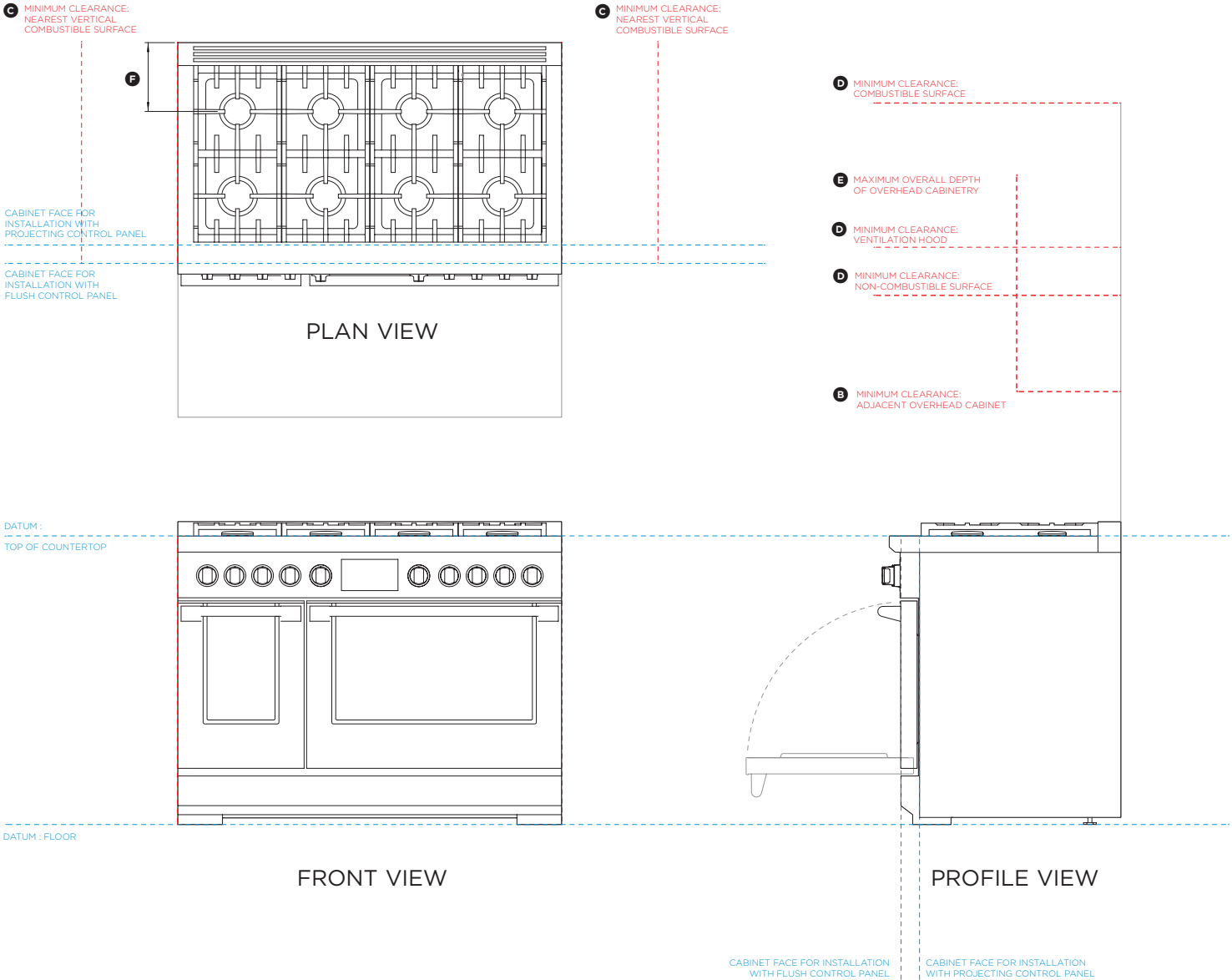
DATE: **20.06.2024**

IMPORTANT: Throughout this guide, dimensions may vary by ±2mm (1/16"). Read the installation guide for detailed information on installing the product. For full installation instructions and specifications visit [fisherpaykel.com](http://fisherpaykel.com)



# FISHER & PAYKEL

## CLEARANCE DIMENSIONS 48" Professional Range - Dual Fuel



Model no:  
**RDV3-488**

Clearance Dimensions	in
Ⓐ Minimum width of ventilation hood installed above range - not shown*	48"
Ⓑ Minimum vertical distance between countertop and cabinet extending above counter	18"
Ⓒ Minimum clearance from left and right of range to nearest vertical combustible surface	12"
Ⓓ Minimum clearance from cooking surface to: - combustible surface centered above the cooking surface - combustible covering for ventilation hood centered above the cooking surface - non-combustible surface** centered above the cooking surface	54" 36" 30"
Ⓔ Maximum overall depth of overhead cabinetry	13"
Ⓕ Distance from center of rear burner to rear of product	8 5/8"

\*IMPORTANT NOTE: For full installation and clearance details please refer to our installation manual.

\*\*Non-combustible surfaces: as defined in 'National Fuel Gas Code' (ANSI Z223.1, Current Edition). Clearances from non-combustible materials are not part of the ANSI Z21.1 scope and are not certified by UL. Clearances of less than 6" (152mm) must be approved by the local codes and/or by the local authority having jurisdiction.

INDICATES CABINETRY CLEARANCES -----

INDICATES PRODUCT DATUM -----

DATE: **20.06.2024**

IMPORTANT: Throughout this guide, dimensions may vary by ±2mm (1/16"). Read the installation guide for detailed information on installing the product. For full installation instructions and specifications visit [fisherpaykel.com](http://fisherpaykel.com)



# FISHER & PAYKEL

## CAVITY PREPARATION 48" Professional Range - Dual Fuel

Model no:  
**RDV3-488**

**Specifications**

**Oven Total Capacity** 2.1 cu.ft + 4.8 cu.ft

**Electrical**

Supply 120/240 V, 60 Hz

Service 50 A

Connection 4-prong grounding type (NEMA 14-50P plug)

**Gas**

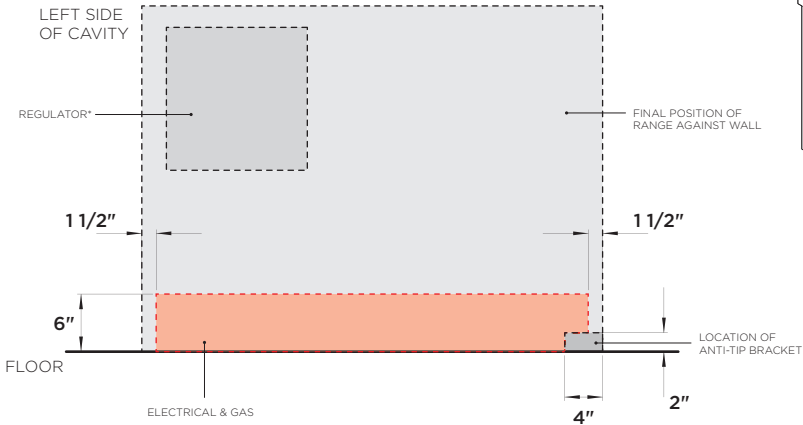
Types Natural Gas 6" to 9" W.C

LP Propane 11" to 14" W.C

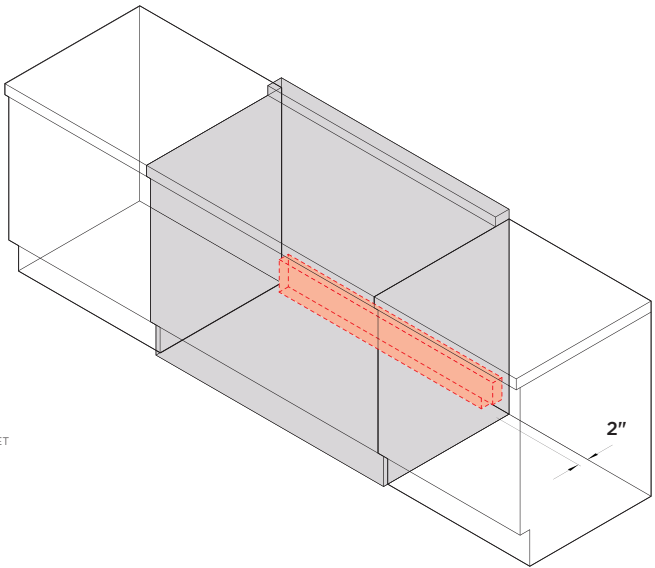
Connection 1/2" NPT Minimum 5/8" dia. flex line

\*Regulator location may vary depending on model.

IMPORTANT NOTE: For full installation and connection details please refer to our installation manual.



REAR OF CAVITY

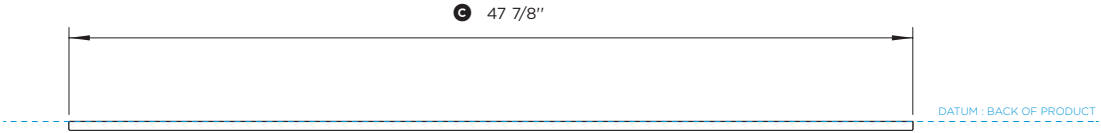
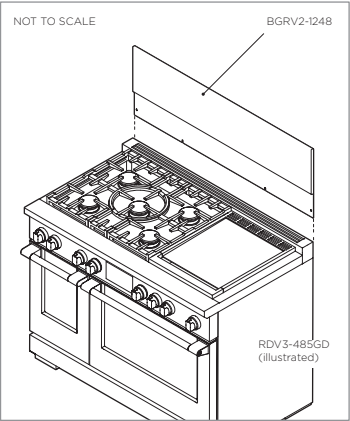


DATE: **20.06.2024**

IMPORTANT: Throughout this guide, dimensions may vary by ±2mm (1/16"). Read the installation guide for detailed information on installing the product. For full installation instructions and specifications visit [fisherpaykel.com](http://fisherpaykel.com)

# FISHER & PAYKEL

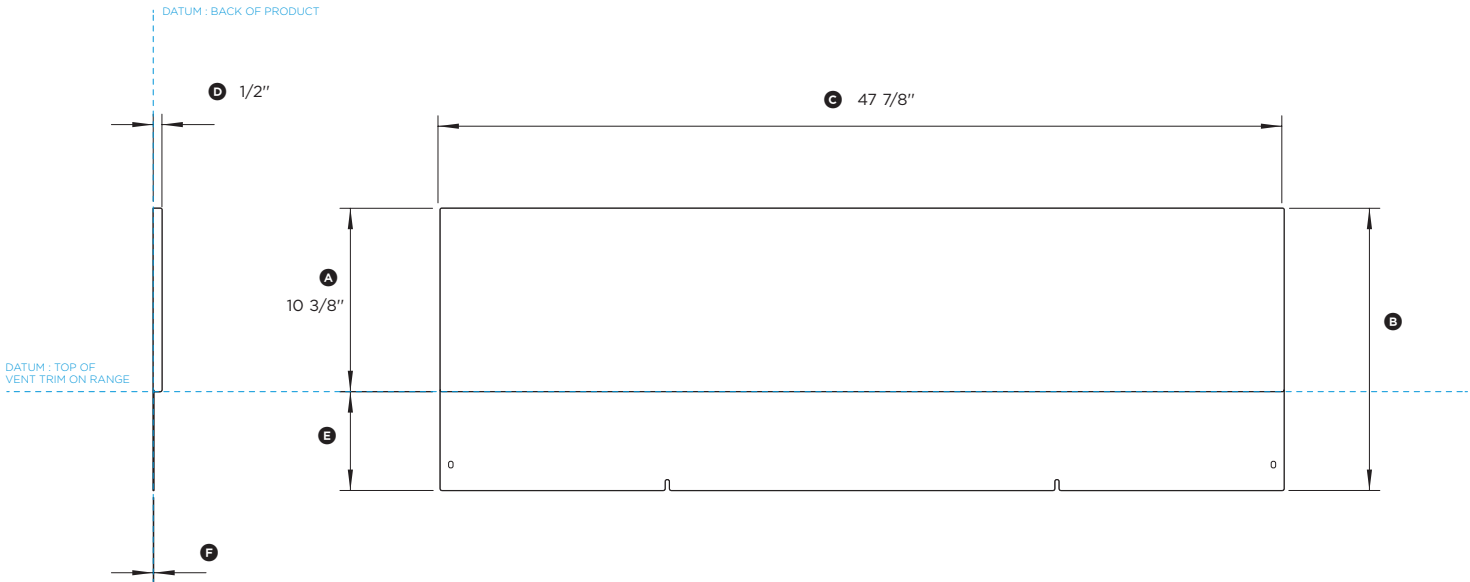
## PRODUCT DIMENSIONS 48" Professional Range Backguard



PLAN VIEW

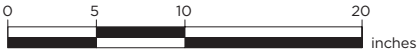
Model no:  
**BGRV2-1248**

Product Dimensions	in
Ⓐ Height of backguard above vent trim on range	10 3/8"
Ⓑ Overall height of backguard	15 15/16"
Ⓒ Overall width of backguard	47 7/8"
Ⓓ Overall depth of backguard	1/2"
Ⓔ Height of backguard below vent trim on range	5 9/16"
Ⓕ Depth of backguard below vent trim on range	1/16"



PROFILE VIEW

FRONT VIEW



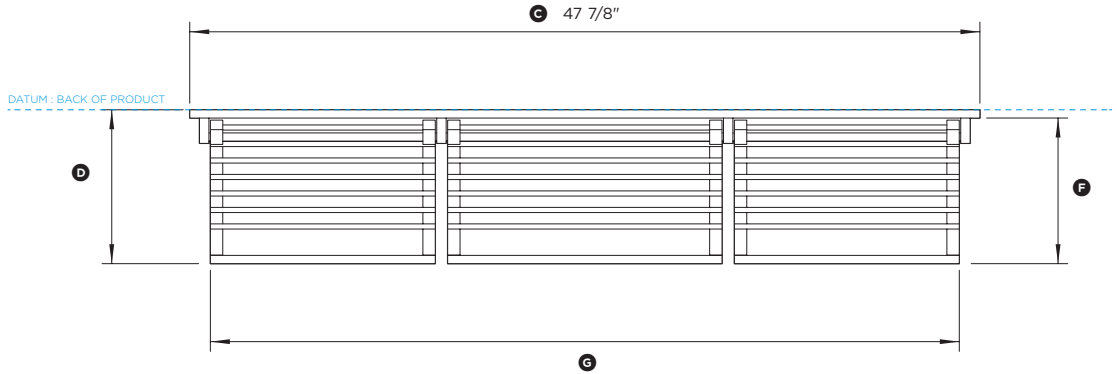
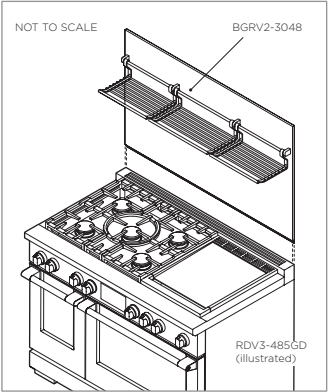
INDICATES PRODUCT DATUM -----

DATE: **20.06.2024**

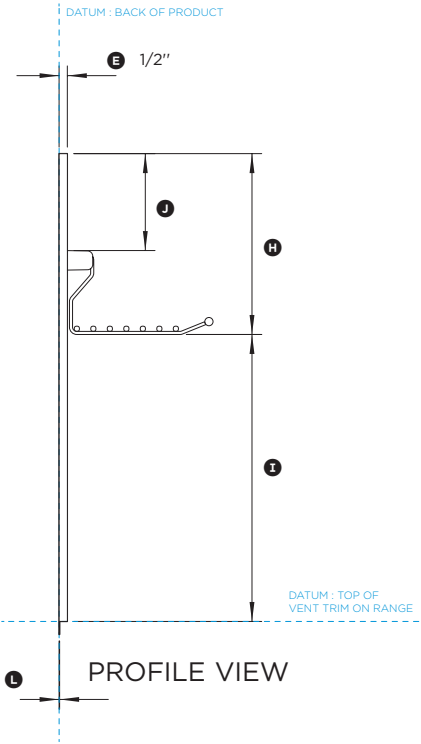
IMPORTANT: Throughout this guide, dimensions may vary by ±2mm (1/16"). Read the installation guide for detailed information on installing the product. For full installation instructions and specifications visit [fisherpaykel.com](http://fisherpaykel.com)

# FISHER & PAYKEL

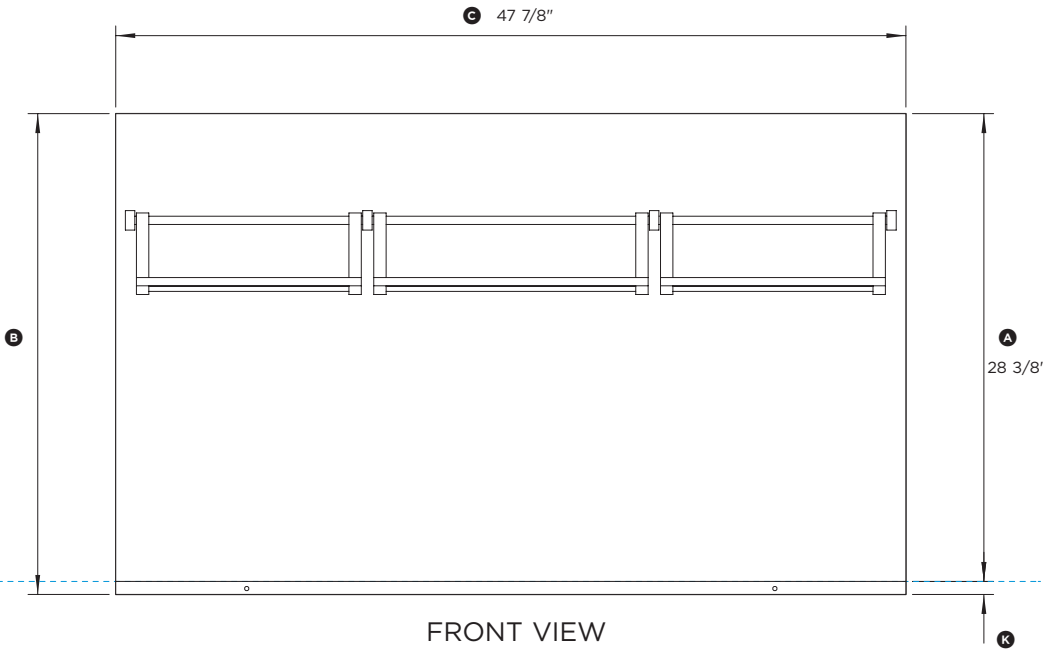
## PRODUCT DIMENSIONS 48" Professional Range Backguard



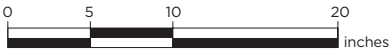
PLAN VIEW



PROFILE VIEW



FRONT VIEW



Model no:  
**BGRV2-3048**

Product Dimensions	in
Ⓐ Height of backguard above vent trim on range	28 3/8"
Ⓑ Overall height of backguard	29 1/8"
Ⓒ Overall width of backguard	47 7/8"
Ⓓ Overall depth of backguard and racks	9 5/16"
Ⓔ Depth of backguard	1/2"
Ⓕ Depth of racks	8 13/16"
Ⓖ Width of racks	45 3/8"
Ⓗ Distance from top of backguard to bottom of racks	10 15/16"
Ⓘ Distance from bottom of backguard to bottom of racks	17 3/8"
Ⓚ Distance from top of backguard to top of brackets	5 7/8"
Ⓛ Height of backguard below vent trim on range	13/16"
Ⓜ Depth of backguard below vent trim on range	1/16"

INDICATES PRODUCT DATUM -----

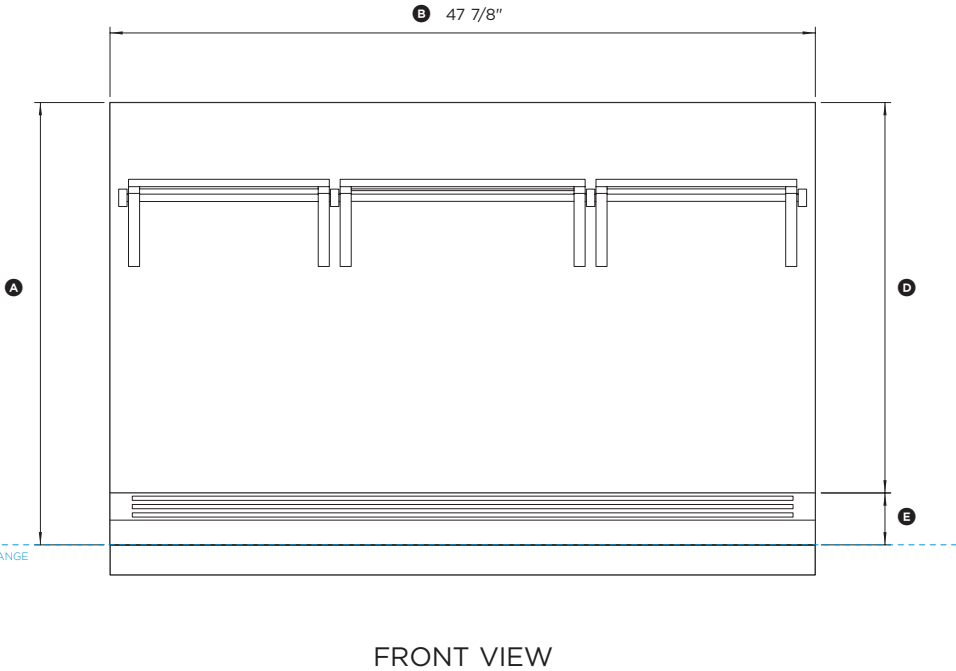
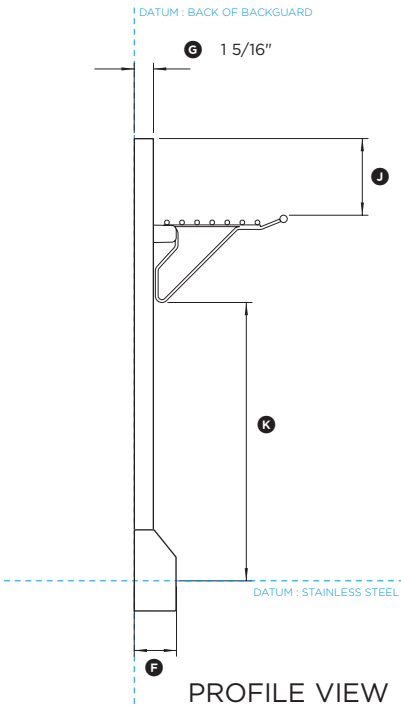
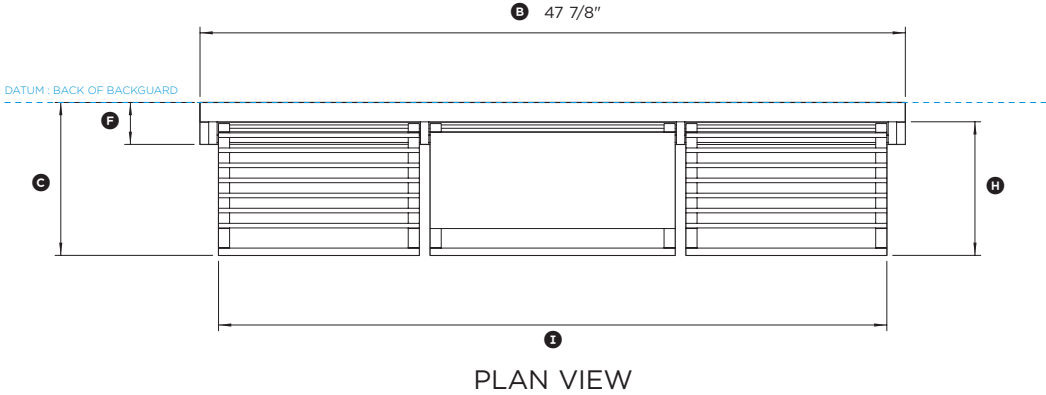
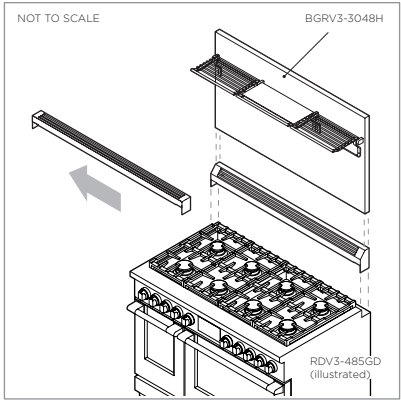
DATE: **20.06.2024**

IMPORTANT: Throughout this guide, dimensions may vary by ±2mm (1/16"). Read the installation guide for detailed information on installing the product. For full installation instructions and specifications visit [fisherpaykel.com](http://fisherpaykel.com)

# FISHER & PAYKEL

## PRODUCT DIMENSIONS

### 48" Professional Range Backguard with Angled Vent Trim



Model no:  
**BGRV3-3048H**

Product Dimensions	in
Ⓐ Overall height of backguard with angled vent trim	30"
Ⓑ Overall width of backguard	47 7/8"
Ⓒ Overall depth of backguard and racks	10 3/8"
Ⓓ Height of backguard	26 1/2"
Ⓔ Height of angled vent trim	3 1/2"
Ⓕ Depth of angled vent trim	2 7/8"
Ⓖ Depth of backguard	1 5/16"
Ⓗ Depth of racks	9 1/16"
Ⓙ Width of racks	45 3/8"
Ⓚ Distance from top of backguard to top of racks	5 3/8"
Ⓛ Distance from bottom of angled vent trim to bottom of racks	18 7/8"

Note: Angled vent trim supplied with BGRV3-3048H.  
Remove flat vent trim and replace with angled vent trim.

INDICATES PRODUCT DATUM -----

DATE: **20.06.2024**

IMPORTANT: Throughout this guide, dimensions may vary by ±2mm (1/16").  
Read the installation guide for detailed information on installing the product.  
For full installation instructions and specifications visit [fisherpaykel.com](http://fisherpaykel.com)



METRIC

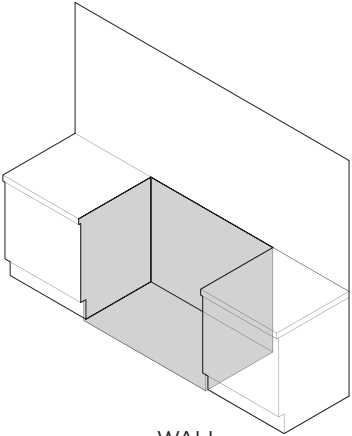
# FISHER & PAYKEL

## KEY DESIGN DECISIONS 48" Professional Range

Model no:  
**RHV3-484, RDV3-486GD, RDV3-488**

1

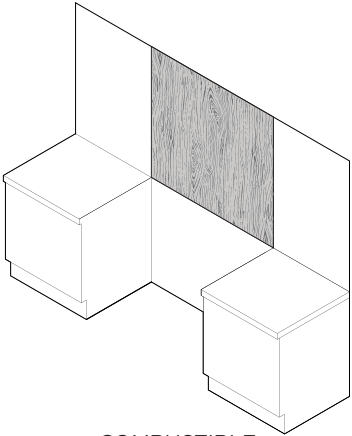
### INSTALL TYPE



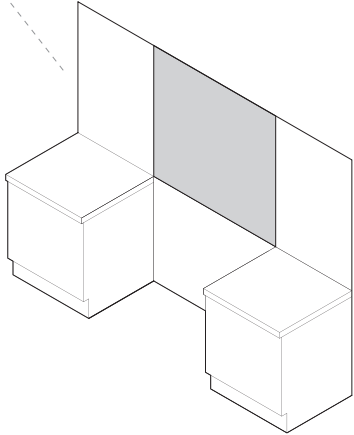
WALL

2

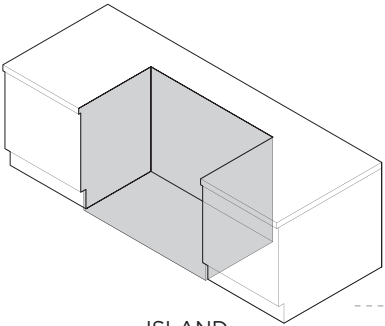
### REAR SURFACE



COMBUSTIBLE



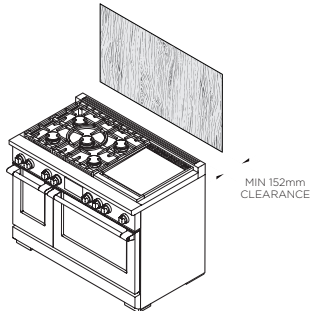
NON COMBUSTIBLE



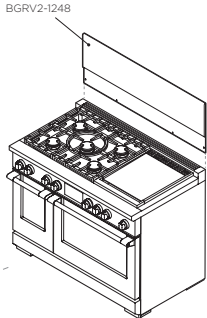
ISLAND

3

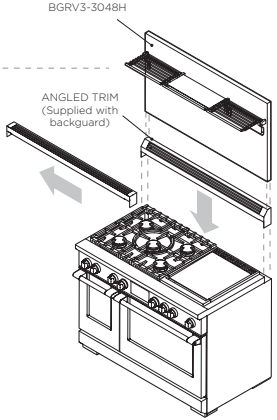
### BACKGUARD OPTIONS



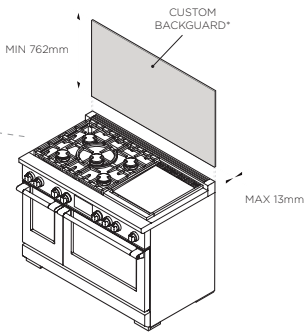
NO BACKGUARD



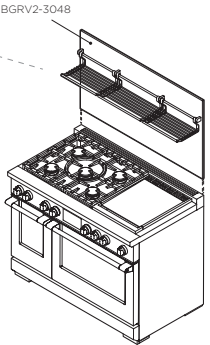
LOW THIN BACKGUARD



HIGH THICK BACKGUARD  
WITH ANGLED TRIM



CUSTOM FABRICATED\* BACKGUARD  
\*Fabricated from non combustible materials only



HIGH THIN BACKGUARD

DATE: **20.06.2024**

IMPORTANT: Throughout this guide, dimensions may vary by  $\pm 2\text{mm}$  (1/16"). Read the installation guide for detailed information on installing the product. For full installation instructions and specifications visit [fisherpaykel.com](http://fisherpaykel.com)

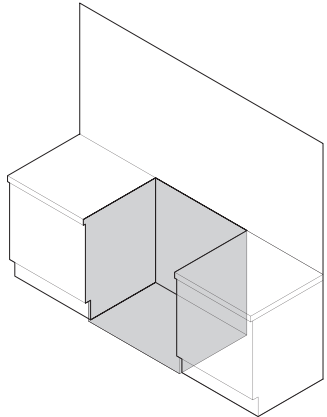


# FISHER & PAYKEL

## VENTILATION REQUIREMENTS 48" Professional Range

1

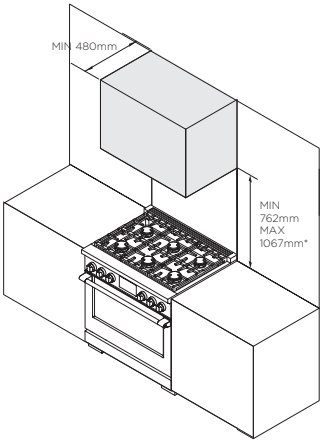
### INSTALL TYPE



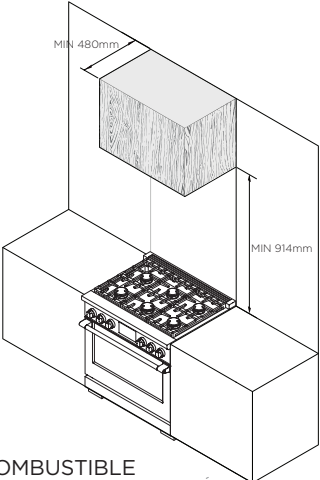
WALL

2

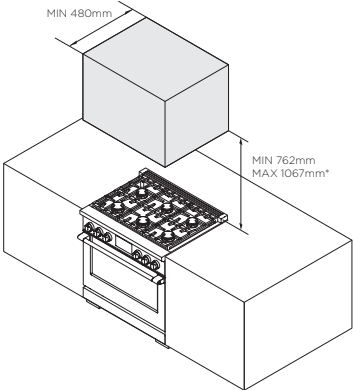
### HOOD SURROUND MATERIAL



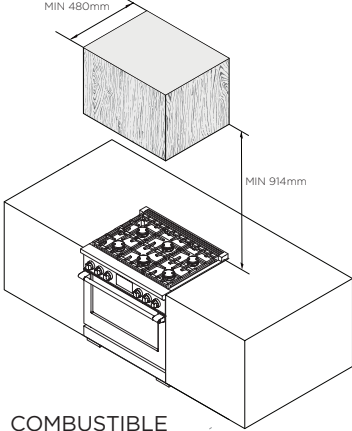
NON COMBUSTIBLE



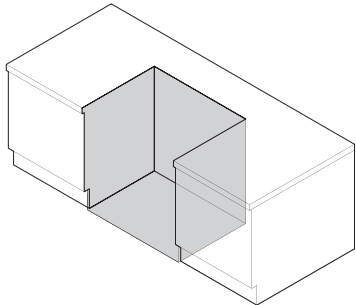
COMBUSTIBLE



NON COMBUSTIBLE



COMBUSTIBLE



ISLAND

Model no:

**RDV3-485GD, RDV3-486GD, RDV3-486GL, RDV3-488**

Note: RDV3-366 illustrated but all dimensions apply to the above models

**Specifications**

Ventilation Unit	Wall Installation
Hood	Minimum 480mm Deep x Unit Width
Blower	Minimum 1100 CFM

Ventilation Unit	Island Installation
Hood	Minimum 480mm Deep x Unit Width
Blower	Minimum 1100 CFM

Note: A suitable hood must be installed above the range. The above indicates the minimum blower capacity recommended for hood ventilation.

\*Recommended maximum.

DATE: **20.06.2024**

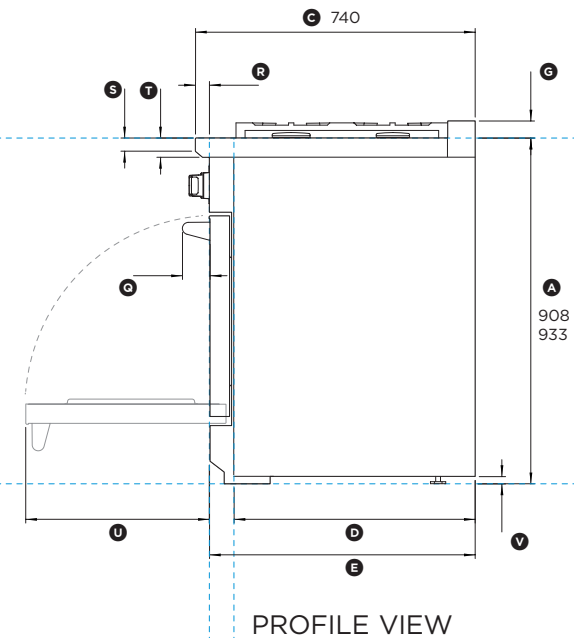
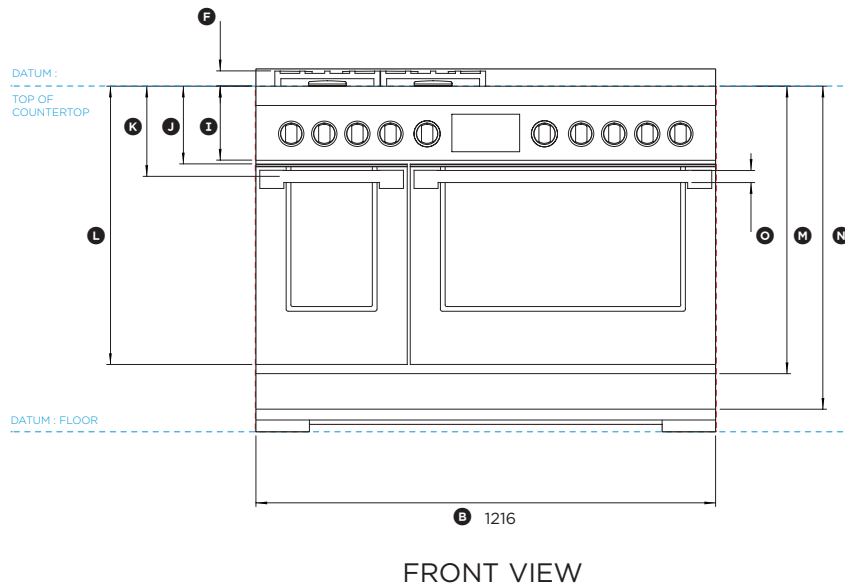
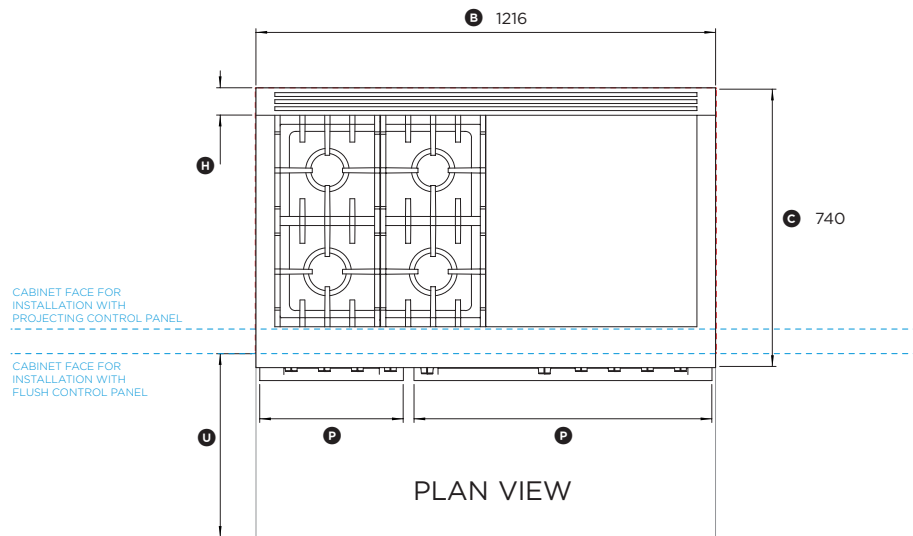
IMPORTANT: Throughout this guide, dimensions may vary by ±2mm (1/16"). Read the installation guide for detailed information on installing the product. For full installation instructions and specifications visit [fisherpaykel.com](http://fisherpaykel.com)

# FISHER & PAYKEL

## PRODUCT & CAVITY DIMENSIONS 48" Professional Range - Dual Fuel/Induction

Model no:  
**RHV3-484**

Product Dimensions	mm
Ⓐ Height of range (from floor to cooktop, excluding grates and rear trim)	min 908 max 933
Ⓑ Overall width of range	1216
Ⓒ Overall depth of range (excluding handle and dials)	740
Ⓓ Depth from rear of chassis to cabinetry face - projecting	644
Ⓔ Depth from rear of chassis to cabinetry face - flush	703
Ⓕ Height from countertop to top of pan supports	40
Ⓖ Height of rear trim	45
Ⓗ Depth of rear trim	73
Ⓘ Height from countertop to bottom of control panel	196
Ⓛ Height from countertop to top of door	206
Ⓜ Height from countertop to centre of handle	239
Ⓚ Height from countertop to bottom of door	737
Ⓝ Height from countertop to top of lower panel	761
Ⓞ Height from countertop to bottom of lower panel	855
Ⓟ Thickness of handle (not including standoffs)	32
Ⓠ Width of handle (including standoffs) - right	788
- left	380
Ⓡ Depth of handle (measured from front of door)	73
Ⓢ Depth of front of cooktop to control panel	37
Ⓣ Height of cooktop front face	35
Ⓤ Height from top of cooktop to control panel	51
Ⓡ Depth of open door to cabinetry face - flush	486
Ⓡ Adjustable feet height	min 13 max 38
Cavity Dimensions	mm
Overall width of cavity	min 1219
Overall depth of cavity for projecting control panel	max 644
Overall depth of cavity for flush control panel	max 703
Overall height of cavity	908 933



IMPORTANT NOTE: For full installation and clearance details please refer to our installation manual.

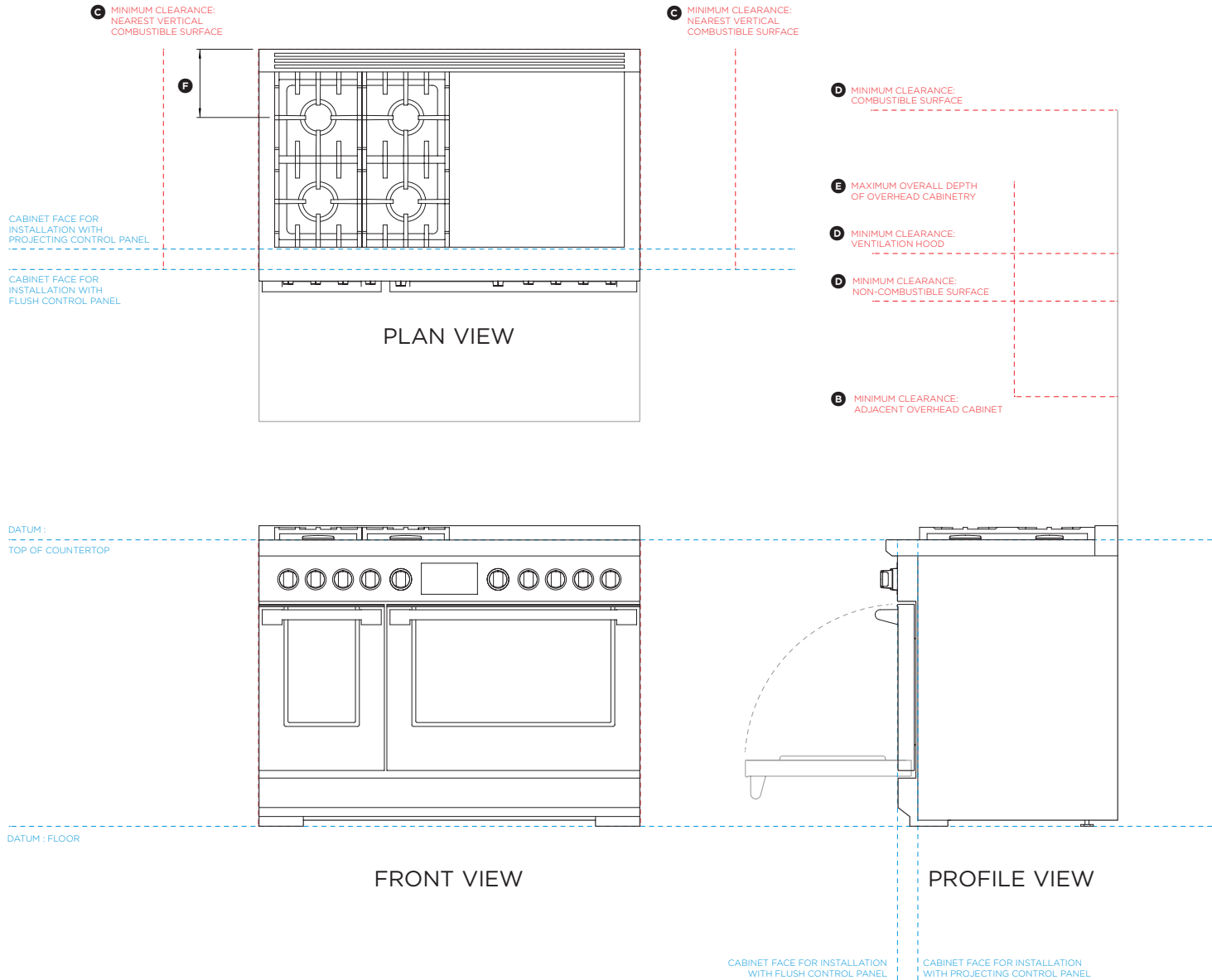
INDICATES PRODUCT DATUM -----

DATE: **20.06.2024**

IMPORTANT: Throughout this guide, dimensions may vary by ±2mm (1/16"). Read the installation guide for detailed information on installing the product. For full installation instructions and specifications visit [fisherpaykel.com](http://fisherpaykel.com)

# FISHER & PAYKEL

## CLEARANCE DIMENSIONS 48" Professional Range - Dual Fuel/Induction



Model no:  
**RHV3-484**

Clearance Dimensions	mm
Ⓐ Minimum width of ventilation hood installed above range - not shown*	1219
Ⓑ Minimum vertical distance between countertop and cabinet extending above counter	457
Ⓒ Minimum clearance from left and right of range to nearest vertical combustible surface	305
Ⓓ Minimum clearance from cooking surface to: - combustible surface centred above the cooking surface - combustible covering for ventilation hood centred above the cooking surface - non-combustible surface** centred above the cooking surface	1372 914 762
Ⓔ Maximum overall depth of overhead cabinetry	330
Ⓕ Distance from centre of rear burner to rear of product	218

\*IMPORTANT NOTE: For full installation and clearance details please refer to our installation manual.

\*\*Non-combustible surfaces: as defined in 'National Fuel Gas Code' (ANSI Z223.1, Current Edition). Clearances from non-combustible materials are not part of the ANSI Z21.1 scope and are not certified by UL. Clearances of less than 6" (152mm) must be approved by the local codes and/or by the local authority having jurisdiction.

INDICATES CABINERY CLEARANCES - - - - -

INDICATES PRODUCT DATUM - - - - -

DATE: **20.06.2024**

IMPORTANT: Throughout this guide, dimensions may vary by ±2mm (1/16"). Read the installation guide for detailed information on installing the product. For full installation instructions and specifications visit [fisherpaykel.com](http://fisherpaykel.com)

0 100 200 400 millimetres

# FISHER & PAYKEL

## CAVITY PREPARATION 48" Professional Range - Dual Fuel/Induction

Model no:

**RHV3-484**

### Specifications

**Oven Total Capacity** 60L + 136L

### Electrical

Supply 120/240 V, 60 Hz

Service 50 A

Connection 4-prong grounding type (NEMA 14-50P plug)

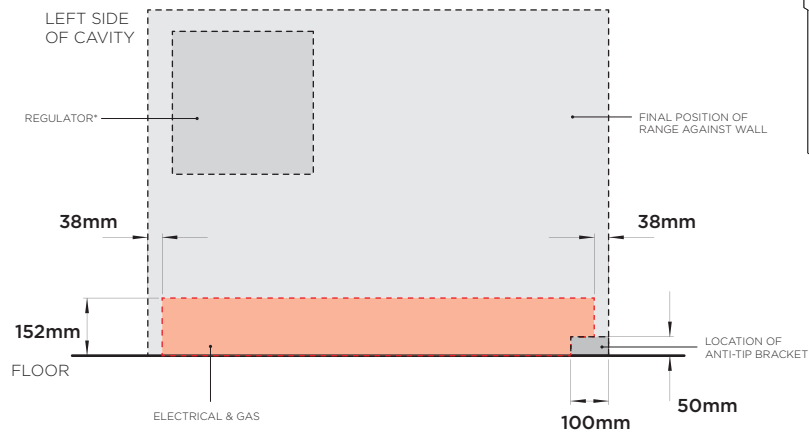
### Gas

Types Natural Gas 6" to 9" W.C  
LP Propane 11" to 14" W.C

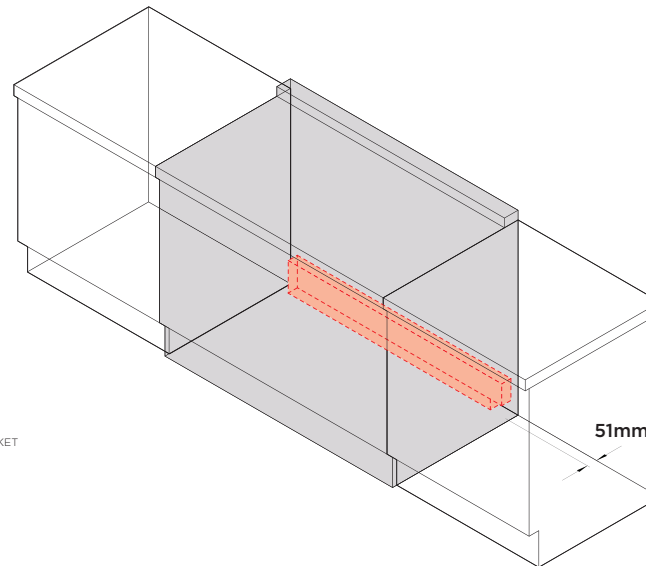
Connection 1/2" NPT Minimum 5/8" dia. flex line

\*Regulator location may vary depending on model.

IMPORTANT NOTE: For full installation and connection details please refer to our installation manual.



REAR OF CAVITY



DATE: **20.06.2024**

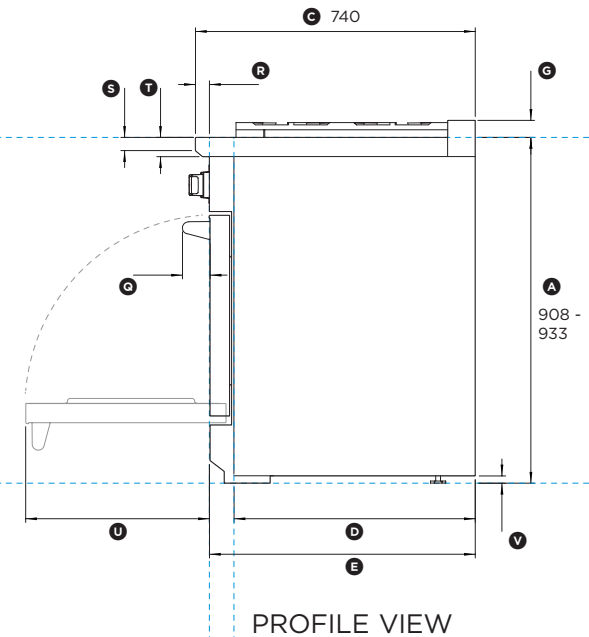
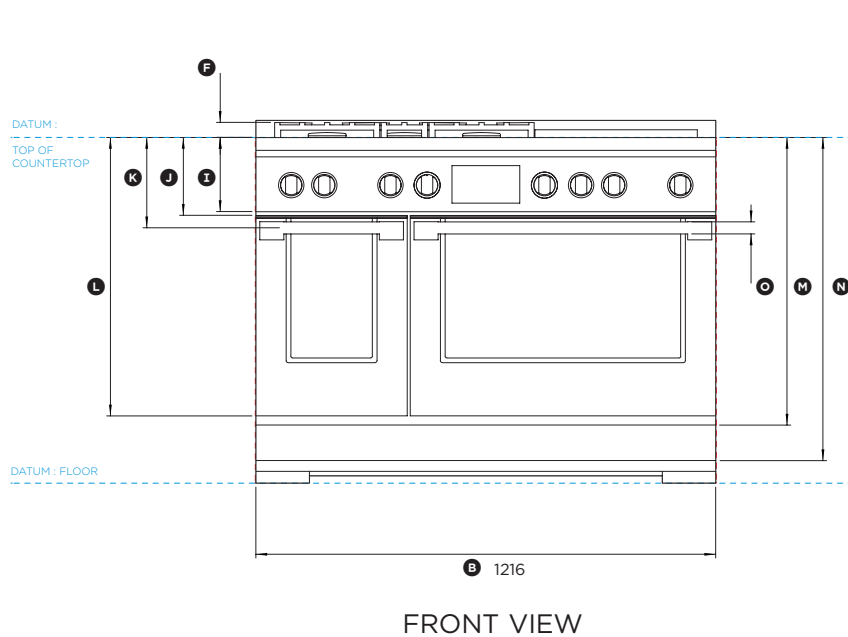
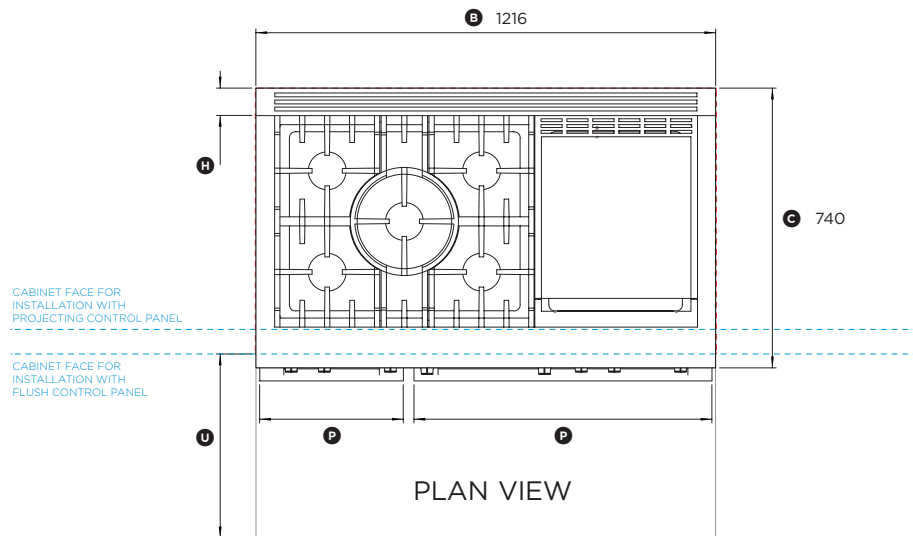
IMPORTANT: Throughout this guide, dimensions may vary by  $\pm 2\text{mm}$  (1/16"). Read the installation guide for detailed information on installing the product. For full installation instructions and specifications visit [fisherpaykel.com](http://fisherpaykel.com)

# FISHER & PAYKEL

## PRODUCT & CAVITY DIMENSIONS 48" Professional Range - Dual Fuel

Model no:  
**RDV3-485GD**

Product Dimensions	mm
Ⓐ Height of range (from floor to cooktop, excluding grates and rear trim)	min 908 max 933
Ⓑ Overall width of range	1216
Ⓒ Overall depth of range (excluding handle and dials)	740
Ⓓ Depth from rear of chassis to cabinetry face - projecting	644
Ⓔ Depth from rear of chassis to cabinetry face - flush	703
Ⓕ Height from countertop to top of pan supports	40
Ⓖ Height of rear trim	45
Ⓗ Depth of rear trim	73
Ⓘ Height from countertop to bottom of control panel	196
Ⓛ Height from countertop to top of door	206
Ⓜ Height from countertop to centre of handle	239
Ⓚ Height from countertop to bottom of door	737
Ⓝ Height from countertop to top of lower panel	761
Ⓟ Height from countertop to bottom of lower panel	855
Ⓢ Thickness of handle (not including standoffs)	32
Ⓣ Width of handle (including standoffs) - right	788
- left	380
Ⓤ Depth of handle (measured from front of door)	73
Ⓡ Depth of front of cooktop to control panel	37
Ⓣ Height of cooktop front face	35
Ⓛ Height from top of cooktop to control panel	51
Ⓟ Depth of open door to cabinetry face - flush	486
Ⓡ Adjustable feet height	min 13 max 38
Cavity Dimensions	mm
Overall width of cavity	min 1219
Overall depth of cavity for projecting control panel	max 644
Overall depth of cavity for flush control panel	max 703
Overall height of cavity	908 933



IMPORTANT NOTE: For full installation and clearance details please refer to our installation manual.

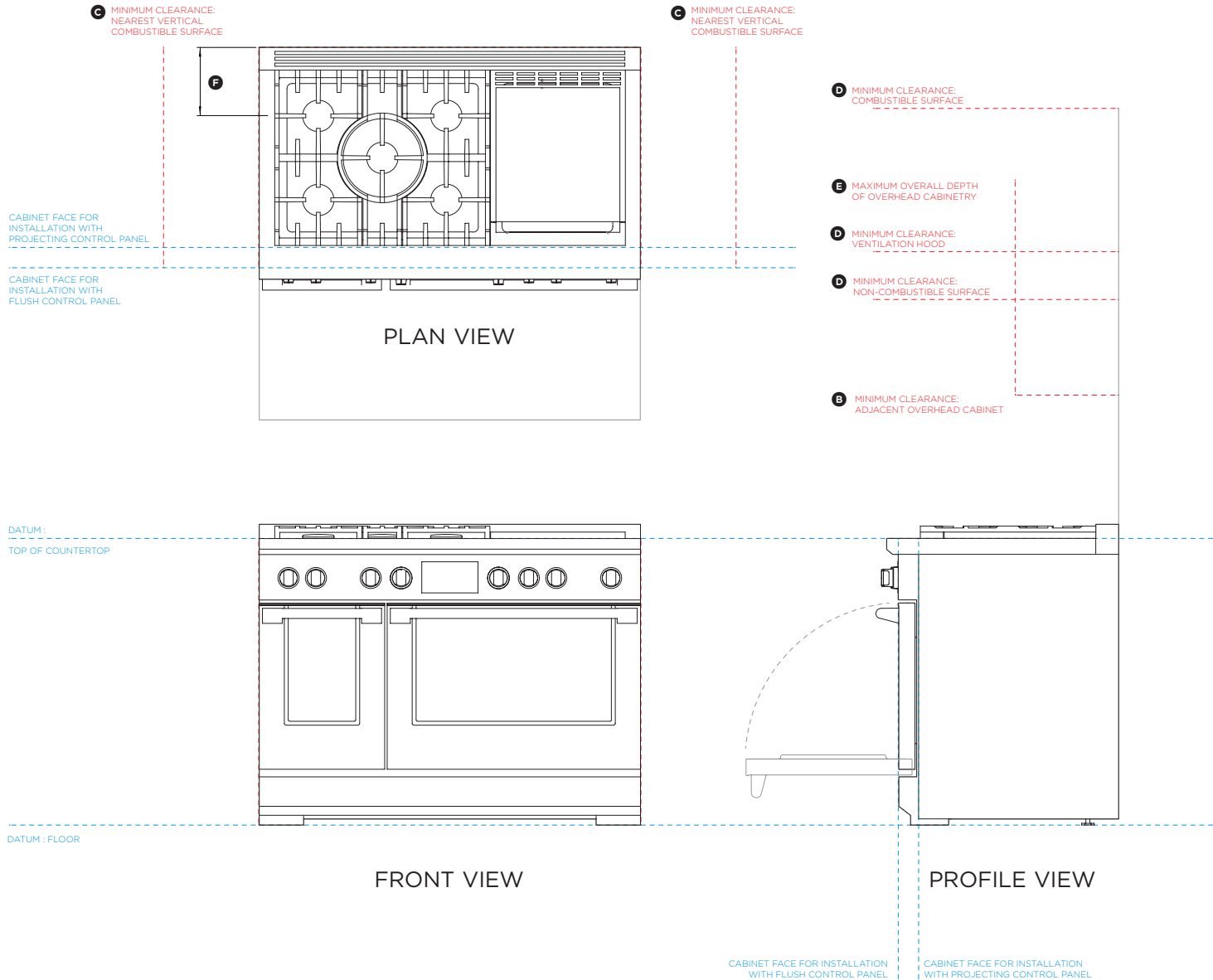
INDICATES PRODUCT DATUM

DATE: **20.06.2024**

IMPORTANT: Throughout this guide, dimensions may vary by ±2mm (1/16"). Read the installation guide for detailed information on installing the product. For full installation instructions and specifications visit [fisherpaykel.com](http://fisherpaykel.com)

# FISHER & PAYKEL

## CLEARANCE DIMENSIONS 48" Professional Range - Dual Fuel



Model no:  
**RDV3-485GD**

Clearance Dimensions	mm
Ⓐ Minimum width of ventilation hood installed above range - not shown*	1219
Ⓑ Minimum vertical distance between countertop and cabinet extending above counter	457
Ⓒ Minimum clearance from left and right of range to nearest vertical combustible surface	305
Ⓓ Minimum clearance from cooking surface to: - combustible surface centred above the cooking surface - combustible covering for ventilation hood centred above the cooking surface - non-combustible surface** centred above the cooking surface	1372 914 762
Ⓔ Maximum overall depth of overhead cabinetry	330
Ⓕ Distance from centre of rear burner to rear of product	218

\*IMPORTANT NOTE: For full installation and clearance details please refer to our installation manual.

\*\*Non-combustible surfaces: as defined in 'National Fuel Gas Code' (ANSI Z223.1, Current Edition). Clearances from non-combustible materials are not part of the ANSI Z21.1 scope and are not certified by UL. Clearances of less than 6" (152mm) must be approved by the local codes and/or by the local authority having jurisdiction.

INDICATES CABINERY CLEARANCES - - - - -

INDICATES PRODUCT DATUM - - - - -

DATE: **20.06.2024**

IMPORTANT: Throughout this guide, dimensions may vary by ±2mm (1/16"). Read the installation guide for detailed information on installing the product. For full installation instructions and specifications visit [fisherpaykel.com](http://fisherpaykel.com)

0 100 200 400 millimetres

# FISHER & PAYKEL

## CAVITY PREPARATION 48" Professional Range - Dual Fuel

Model no:  
**RDV3-485GD**

**Specifications**

**Oven Total Capacity** 60L + 136L

**Electrical**

Supply 120/240 V, 60 Hz

Service 50 A

Connection 4-prong grounding type (NEMA 14-50P plug)

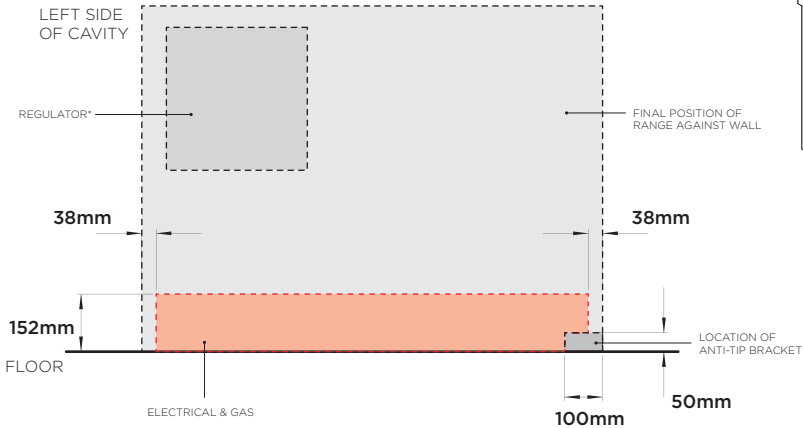
**Gas**

Types Natural Gas 6" to 9" W.C  
LP Propane 11" to 14" W.C

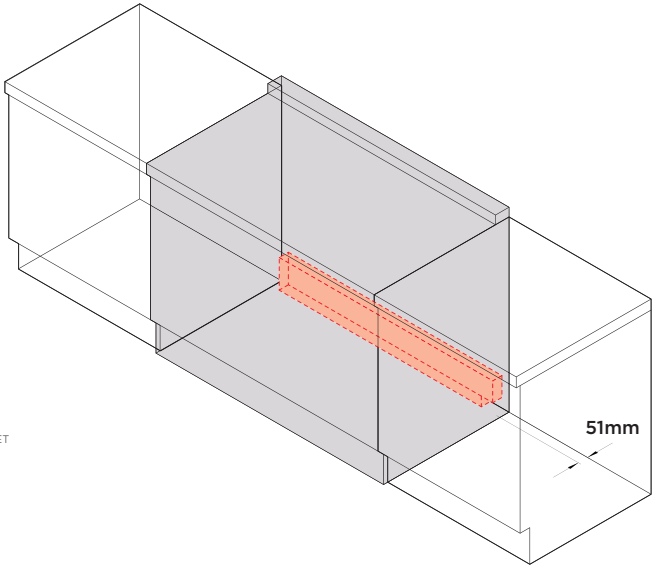
Connection 1/2" NPT Minimum 5/8" dia. flex line

\*Regulator location may vary depending on model.

IMPORTANT NOTE: For full installation and connection details please refer to our installation manual.



REAR OF CAVITY



DATE: **20.06.2024**

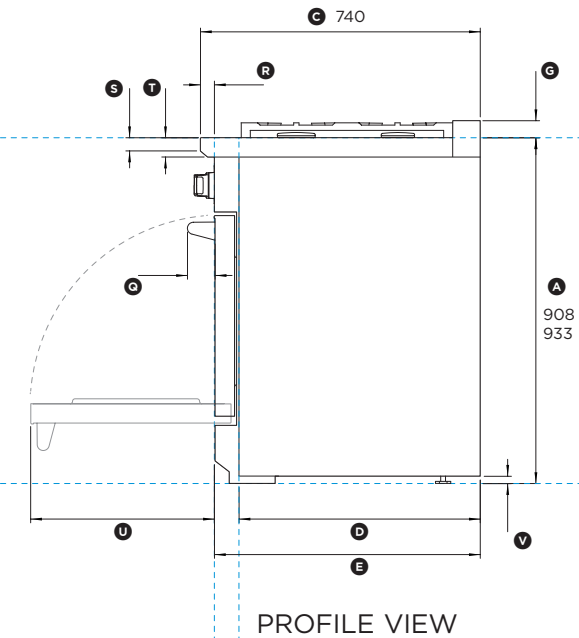
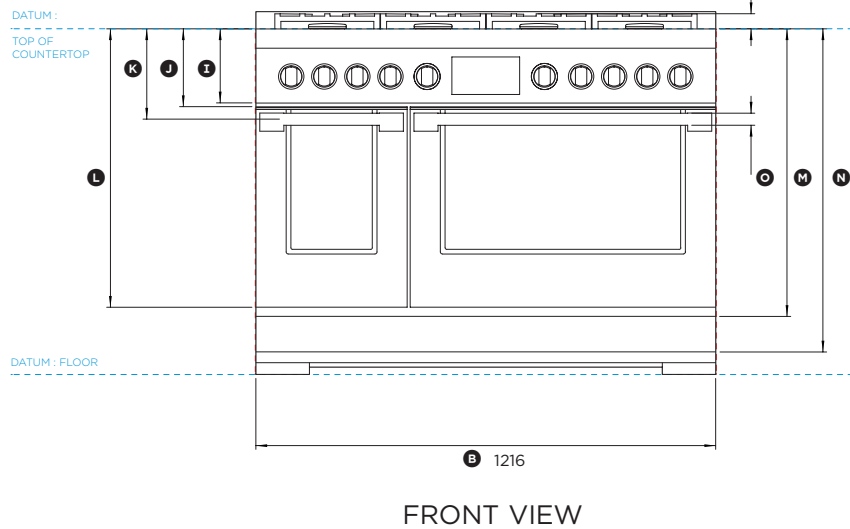
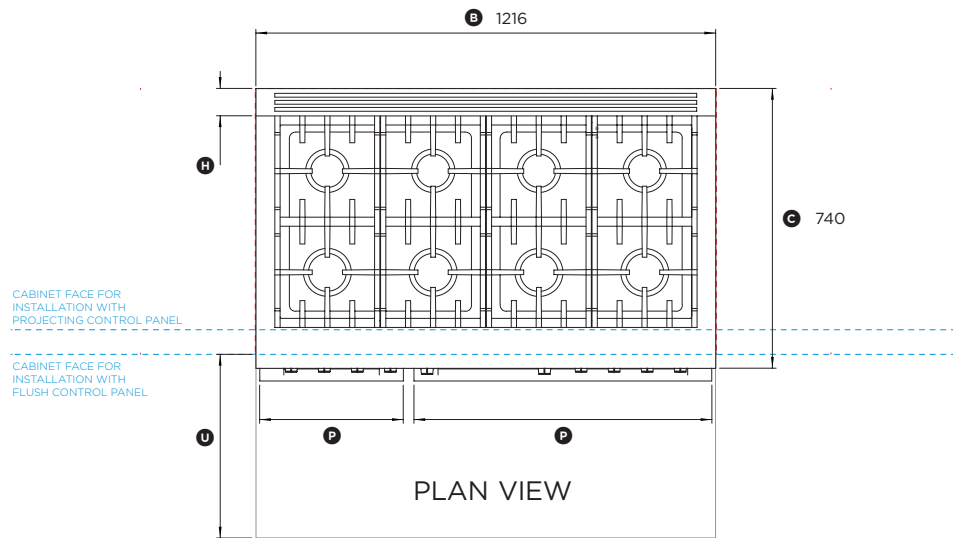
IMPORTANT: Throughout this guide, dimensions may vary by ±2mm (1/16"). Read the installation guide for detailed information on installing the product. For full installation instructions and specifications visit [fisherpaykel.com](http://fisherpaykel.com)

# FISHER & PAYKEL

## PRODUCT & CAVITY DIMENSIONS 48" Professional Range - Dual Fuel

Model no:  
**RDV3-488**

Product Dimensions	mm
Ⓐ Height of range (from floor to cooktop, excluding grates and rear trim)	min 908 max 933
Ⓑ Overall width of range	1216
Ⓒ Overall depth of range (excluding handle and dials)	740
Ⓓ Depth from rear of chassis to cabinetry face - projecting	644
Ⓔ Depth from rear of chassis to cabinetry face - flush	703
Ⓕ Height from countertop to top of pan supports	40
Ⓖ Height of rear trim	45
Ⓗ Depth of rear trim	73
Ⓙ Height from countertop to bottom of control panel	196
Ⓚ Height from countertop to top of door	206
Ⓛ Height from countertop to centre of handle	239
Ⓜ Height from countertop to bottom of door	737
Ⓝ Height from countertop to top of lower panel	761
Ⓞ Height from countertop to bottom of lower panel	855
Ⓟ Thickness of handle (not including standoffs)	32
Ⓠ Width of handle (including standoffs) - right	788
- left	380
Ⓡ Depth of handle (measured from front of door)	73
Ⓢ Depth of front of cooktop to control panel	37
Ⓣ Height of cooktop front face	35
Ⓤ Height from top of cooktop to control panel	51
Ⓡ Depth of open door to cabinetry face - flush	486
Ⓡ Adjustable feet height	min 13 max 38
Cavity Dimensions	mm
Overall width of cavity	min 1219
Overall depth of cavity for projecting control panel	max 644
Overall depth of cavity for flush control panel	max 703
Overall height of cavity	908 933



CABINET FACE FOR INSTALLATION WITH FLUSH CONTROL PANEL | CABINET FACE FOR INSTALLATION WITH PROJECTING CONTROL PANEL

IMPORTANT NOTE: For full installation and clearance details please refer to our installation manual.

INDICATES PRODUCT DATUM -----

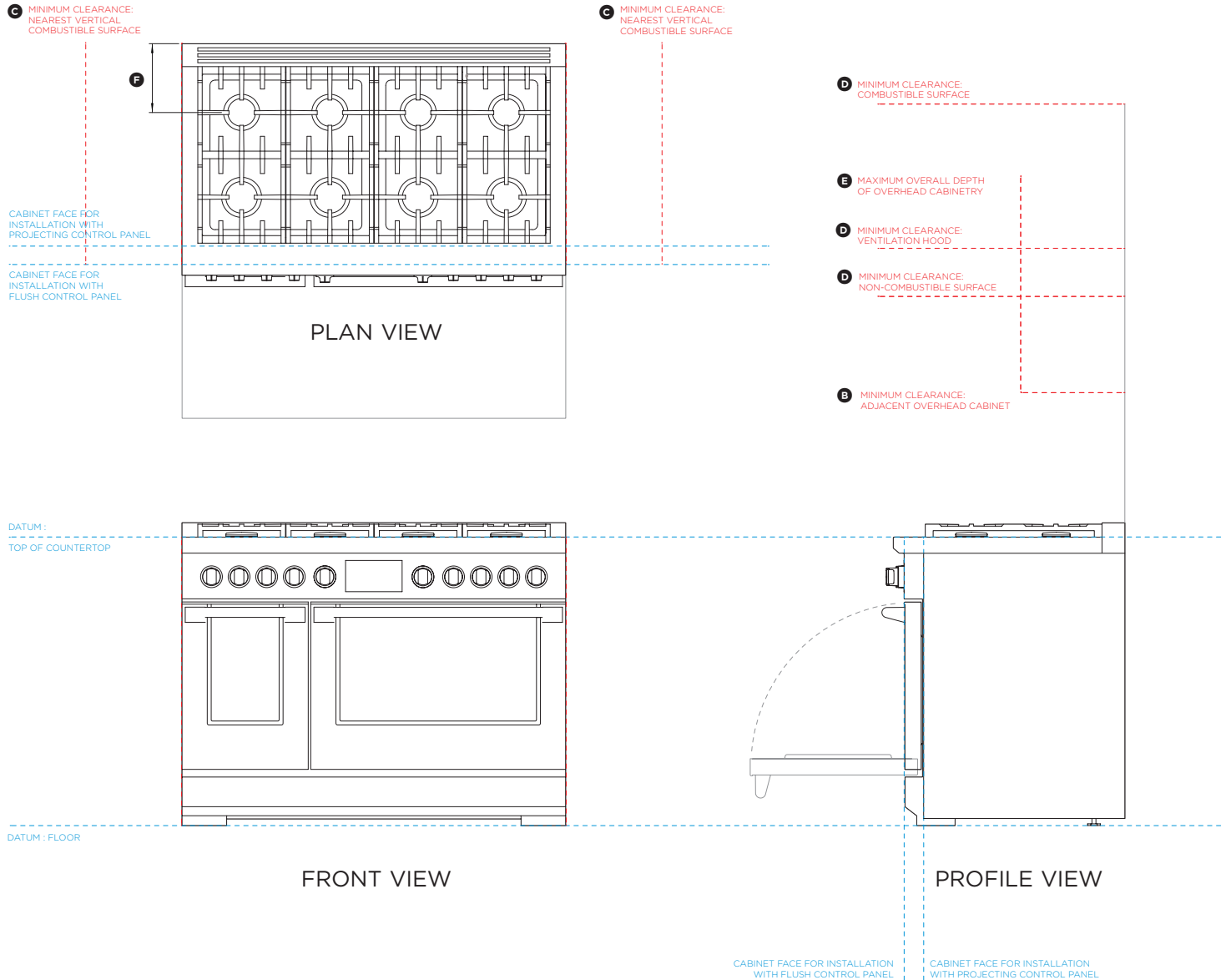
DATE: **20.06.2024**

IMPORTANT: Throughout this guide, dimensions may vary by ±2mm (1/16"). Read the installation guide for detailed information on installing the product. For full installation instructions and specifications visit [fisherpaykel.com](http://fisherpaykel.com)



# FISHER & PAYKEL

## CLEARANCE DIMENSIONS 48" Professional Range - Dual Fuel



Model no:  
**RDV3-488**

Clearance Dimensions	mm
Ⓐ Minimum width of ventilation hood installed above range - not shown*	1219
Ⓑ Minimum vertical distance between countertop and cabinet extending above counter	457
Ⓒ Minimum clearance from left and right of range to nearest vertical combustible surface	305
Ⓓ Minimum clearance from cooking surface to: - combustible surface centred above the cooking surface - combustible covering for ventilation hood centred above the cooking surface - non-combustible surface** centred above the cooking surface	1372 914 762
Ⓔ Maximum overall depth of overhead cabinetry	330
Ⓕ Distance from centre of rear burner to rear of product	218

\*IMPORTANT NOTE: For full installation and clearance details please refer to our installation manual.

\*\*Non-combustible surfaces: as defined in 'National Fuel Gas Code' (ANSI Z223.1, Current Edition). Clearances from non-combustible materials are not part of the ANSI Z21.1 scope and are not certified by UL. Clearances of less than 6" (152mm) must be approved by the local codes and/or by the local authority having jurisdiction.

INDICATES CABINETRY CLEARANCES -----  
INDICATES PRODUCT DATUM - - - - -

DATE: **20.06.2024**

IMPORTANT: Throughout this guide, dimensions may vary by ±2mm (1/16"). Read the installation guide for detailed information on installing the product. For full installation instructions and specifications visit [fisherpaykel.com](http://fisherpaykel.com)

0 100 200 400  
millimetres

# FISHER & PAYKEL

## CAVITY PREPARATION 48" Professional Range

Model no:

**RDV3-488**

**Specifications**

**Oven Total Capacity** 60L + 136L

**Electrical**

Supply 120/240 V, 60 Hz

Service 50 A

Connection 4-prong grounding type (NEMA 14-50P plug)

**Gas**

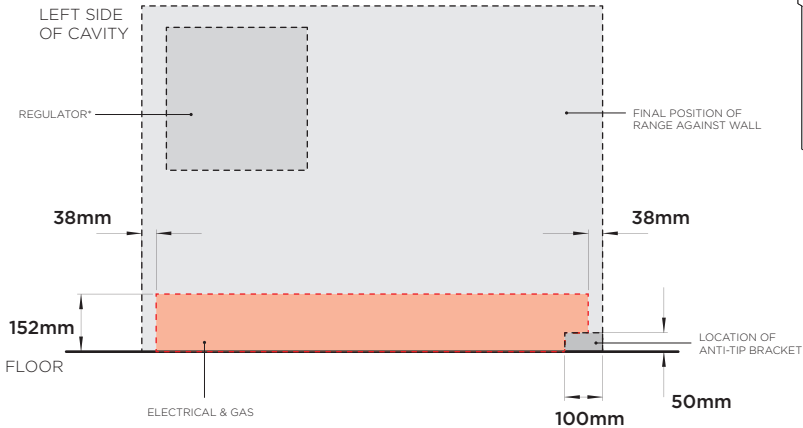
Types Natural Gas 6" to 9" W.C

LP Propane 11" to 14" W.C

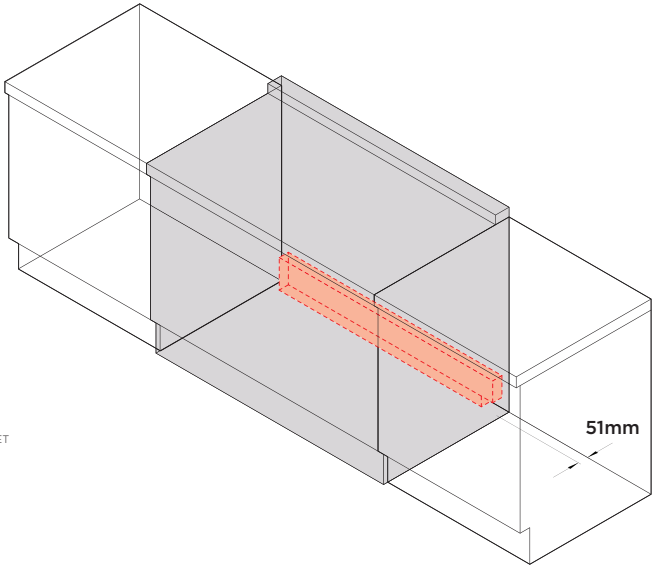
Connection 1/2" NPT Minimum 5/8" dia. flex line

\*Regulator location may vary depending on model.

IMPORTANT NOTE: For full installation and connection details please refer to our installation manual.



REAR OF CAVITY

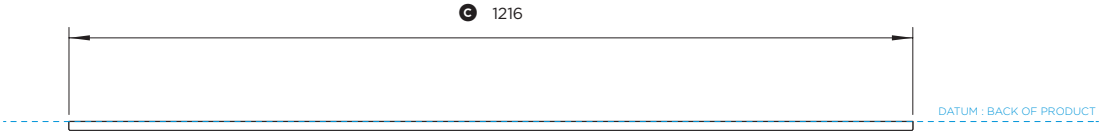
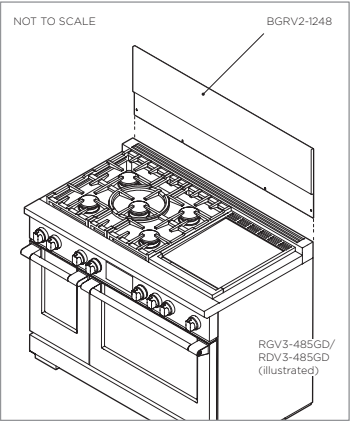


DATE: **20.06.2024**

IMPORTANT: Throughout this guide, dimensions may vary by ±2mm (1/16"). Read the installation guide for detailed information on installing the product. For full installation instructions and specifications visit [fisherpaykel.com](http://fisherpaykel.com)

# FISHER & PAYKEL

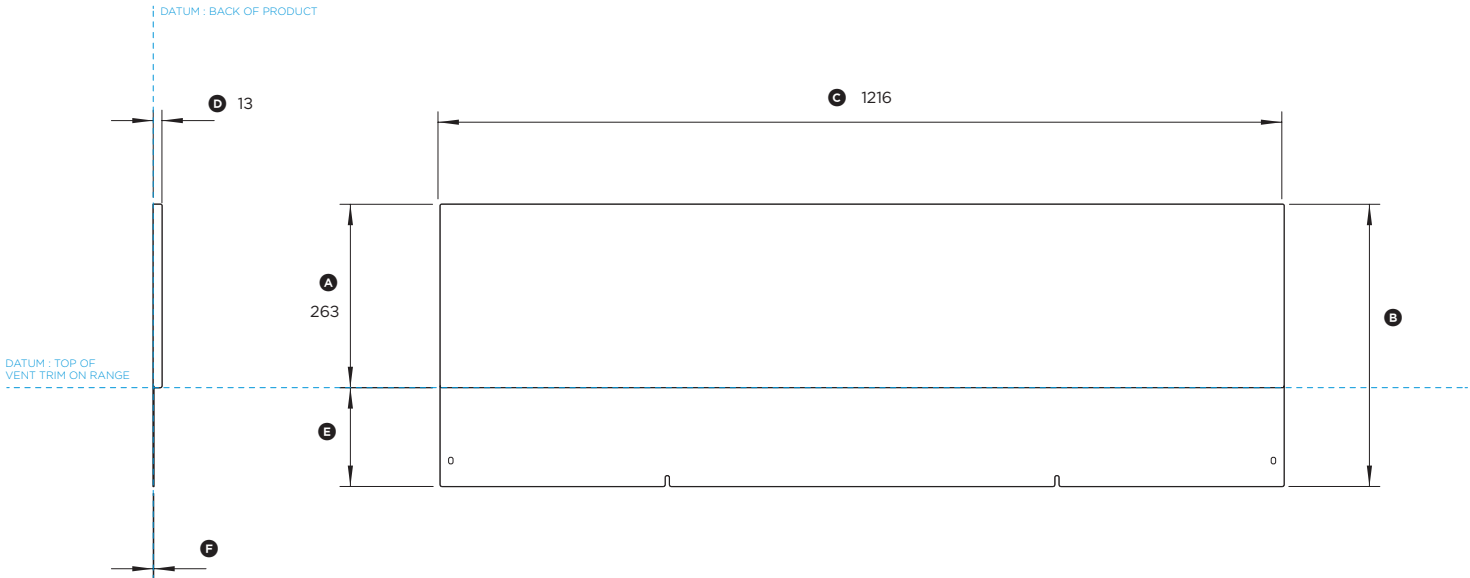
## PRODUCT DIMENSIONS 48" Professional Range Backguard



PLAN VIEW

Model no:  
**BGRV2-1248**

Product Dimensions	mm
Ⓐ Height of backguard above vent trim on range	263
Ⓑ Overall height of backguard	405
Ⓒ Overall width of backguard	1216
Ⓓ Overall depth of backguard	13
Ⓔ Height of backguard below vent trim on range	142
Ⓕ Depth of backguard below vent trim on range	1



PROFILE VIEW

FRONT VIEW



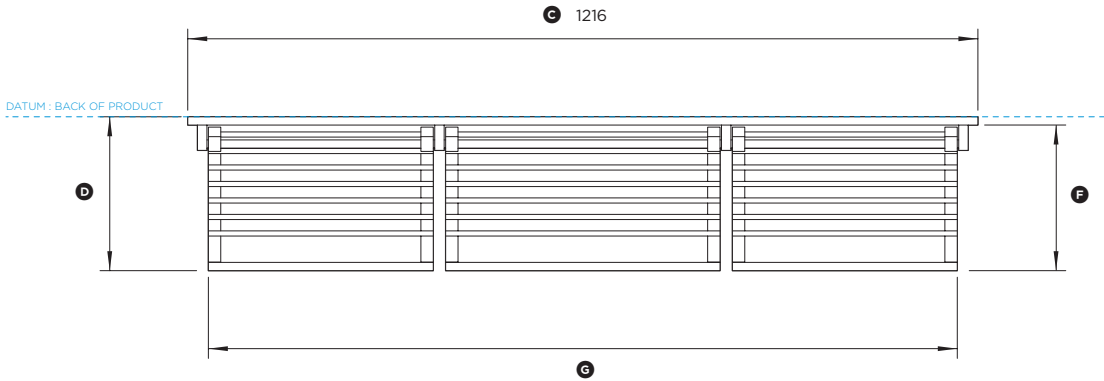
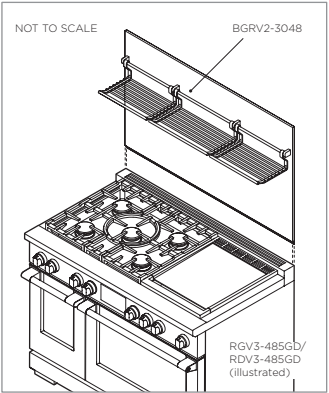
INDICATES PRODUCT DATUM -----

DATE: **20.06.2024**

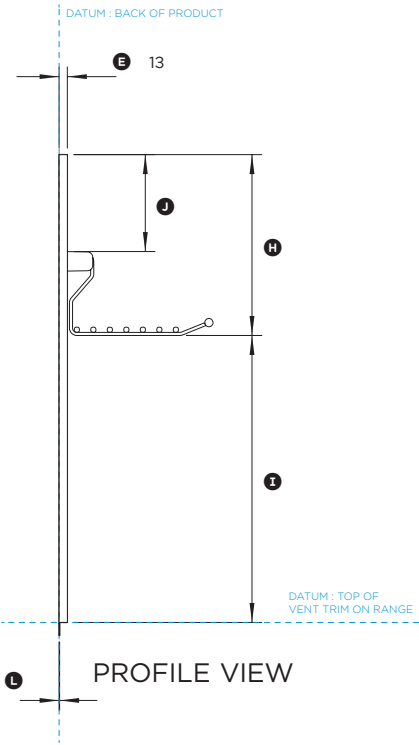
IMPORTANT: Throughout this guide, dimensions may vary by ±2mm (1/16"). Read the installation guide for detailed information on installing the product. For full installation instructions and specifications visit [fisherpaykel.com](http://fisherpaykel.com)

# FISHER & PAYKEL

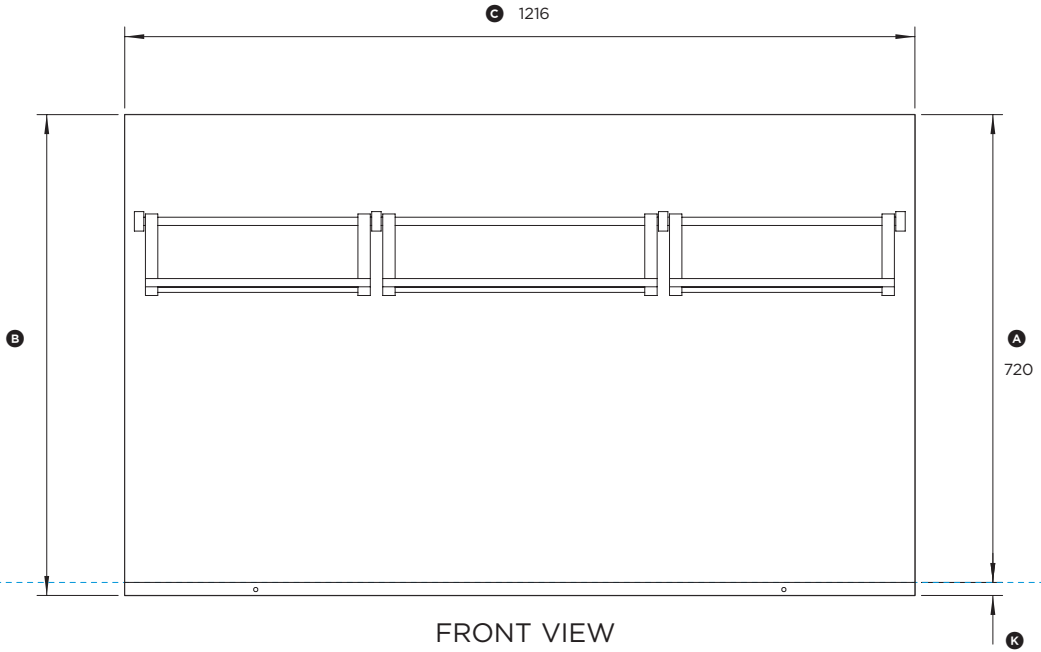
## PRODUCT DIMENSIONS 48" Professional Range Backguard



PLAN VIEW



PROFILE VIEW



FRONT VIEW



Model no:  
**BGRV2-3048**

Product Dimensions	mm
Ⓐ Height of backguard above vent trim on range	720
Ⓑ Overall height of backguard	740
Ⓒ Overall width of backguard	1216
Ⓓ Overall depth of backguard and racks	237
Ⓔ Depth of backguard	13
Ⓕ Depth of racks	224
Ⓖ Width of racks	1153
Ⓗ Distance from top of backguard to bottom of racks	278
Ⓘ Distance from bottom of backguard to bottom of racks	442
Ⓚ Distance from top of backguard to top of brackets	149
Ⓛ Height of backguard below vent trim on range	20
Ⓜ Depth of backguard below vent trim on range	1

INDICATES PRODUCT DATUM

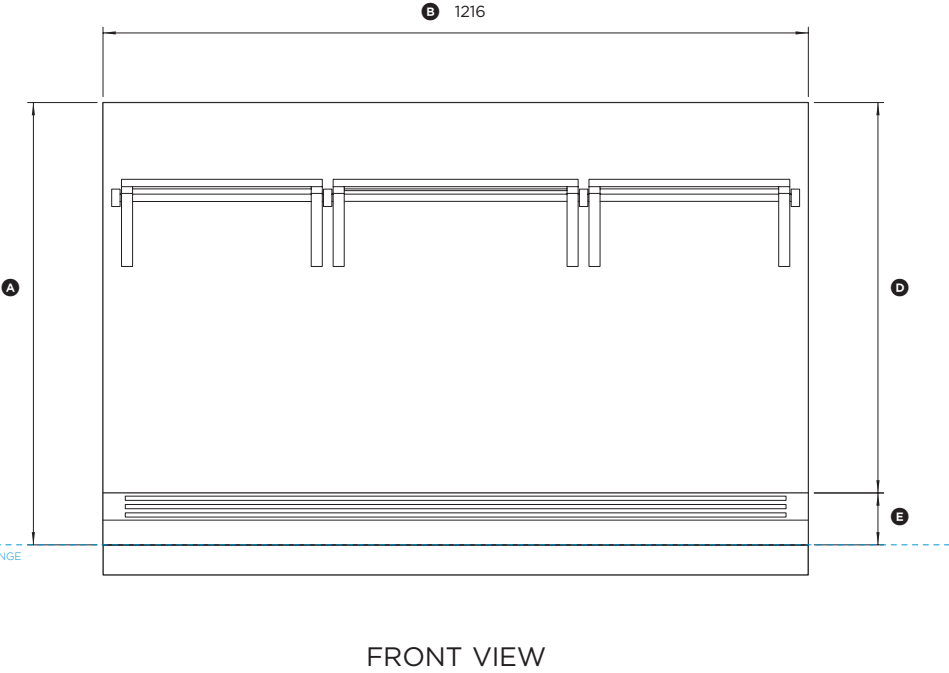
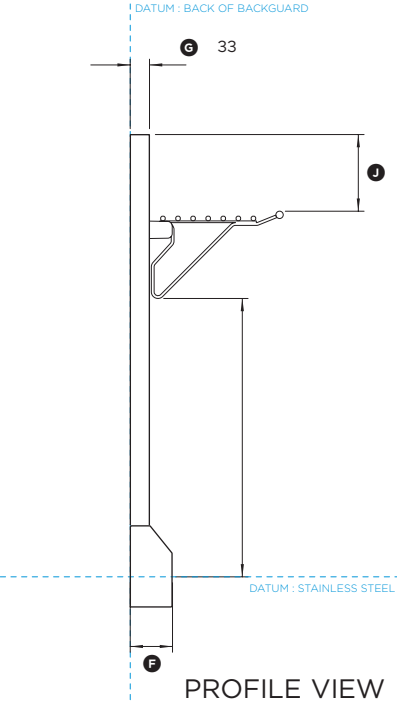
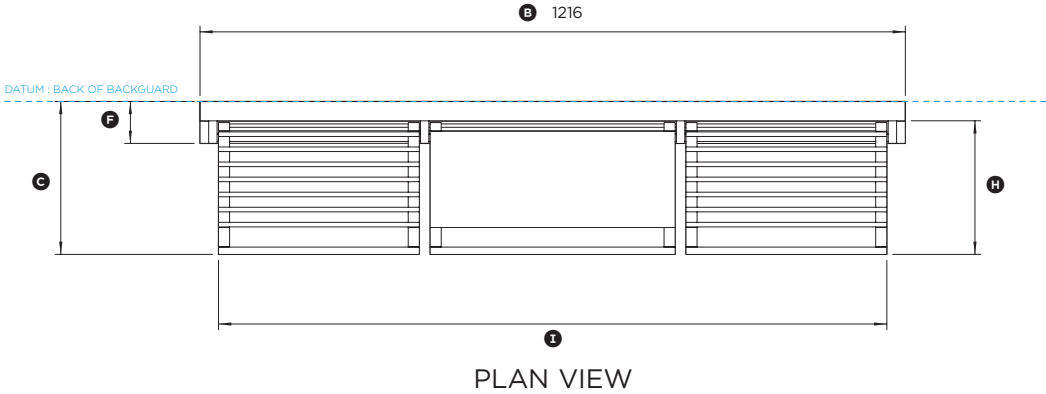
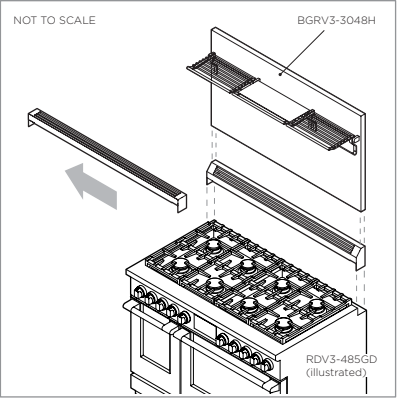
DATE: **20.06.2024**

IMPORTANT: Throughout this guide, dimensions may vary by ±2mm (1/16"). Read the installation guide for detailed information on installing the product. For full installation instructions and specifications visit [fisherpaykel.com](http://fisherpaykel.com)

# FISHER & PAYKEL

## PRODUCT DIMENSIONS

### 48" Professional Range Backguard with Angled Vent Trim



Model no:  
**BGRV3-3048H**

Product Dimensions	mm
Ⓐ Overall height of backguard with angled vent trim	763
Ⓑ Overall width of backguard	1216
Ⓒ Overall depth of backguard and racks	264
Ⓓ Height of backguard	673
Ⓔ Height of angled vent trim	90
Ⓕ Depth of angled vent trim	73
Ⓖ Depth of backguard	33
Ⓜ Depth of racks	230
Ⓝ Width of racks	1152
Ⓗ Distance from top of backguard to top of racks	136
Ⓢ Distance from bottom of angled vent trim to bottom of racks	480

Note: Angled vent trim supplied with BGRV3-3048H.  
Remove flat vent trim and replace with angled vent trim.

INDICATES PRODUCT DATUM -----

DATE: **20.06.2024**

IMPORTANT: Throughout this guide, dimensions may vary by ±2mm (1/16").  
Read the installation guide for detailed information on installing the product.  
For full installation instructions and specifications visit [fisherpaykel.com](http://fisherpaykel.com)



IMPORTANT: The product dimensions and specifications apply at the date of issue. Under our policy of continuous product improvement, these dimensions and specifications may change at any time. Dimensions may vary by  $\pm 2\text{mm}$  (1/16"). Please read the installation guide for detailed information on installing the product or visit [fisherpaykel.com](http://fisherpaykel.com).

June 2024