

# FISHER & PAYKEL

## PRELIMINARY SPECIFICATION GUIDE

## WALL RANGEHOOD



### OVERVIEW

Designed to complete the Contemporary kitchen, these wall box chimney rangehoods are made from quality stainless steel and sleek black glass. With three fan speeds, plus a boost function, powerful extraction quickly removes odours and steam. Enjoy seamless operation with Wi-Fi enabled remote control.

### MODELS

Wall Rangehood, 60cm, Box Chimney  
HC60DCXB4

Wall Rangehood, 90cm, Box Chimney  
HC90DCXB4

Wall Rangehood, 120cm, Box Chimney  
HC120DCXB4

### SERIES & STYLE

Series 7  
Contemporary Style

### FEATURES

- ① Sleek black glass finish with stainless steel frame
- ② Wi-Fi enabled for remote control and notifications through the SmartHQ™ app
- ③ Edge-to-edge extraction
- ④ Bicolour LEDs 3K and 4K
- ⑤ Intuitive touch controls
- ⑥ Three fan speeds plus boost
- ⑦ Auto off timer function
- ⑧ Dishwasher-safe anti-drop aluminium filters
- ⑨ 150mm diameter duct
- ⑩ Recirculation options available

### ACCESSORIES

- ④ Chimney Extension
- ⑤ Recirculating Diverter
- ⑥ Recirculation Carbon Filter
- ⑦ Aluminium Filter

# FISHER & PAYKEL

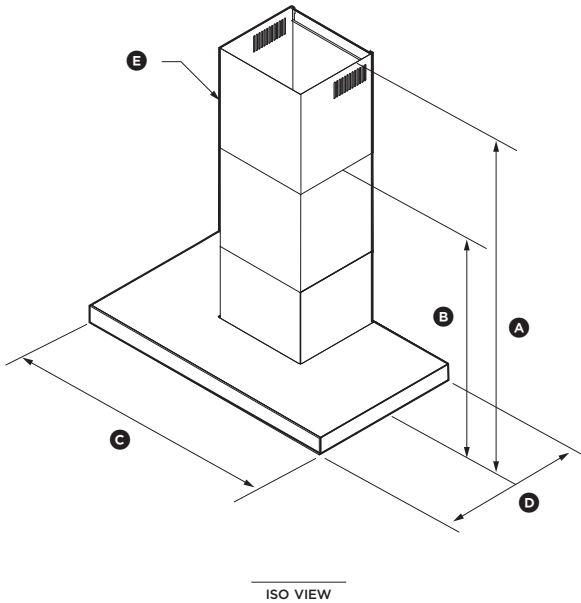
## PRELIMINARY SPECIFICATION GUIDE

## WALL RANGEHOOD, 60CM

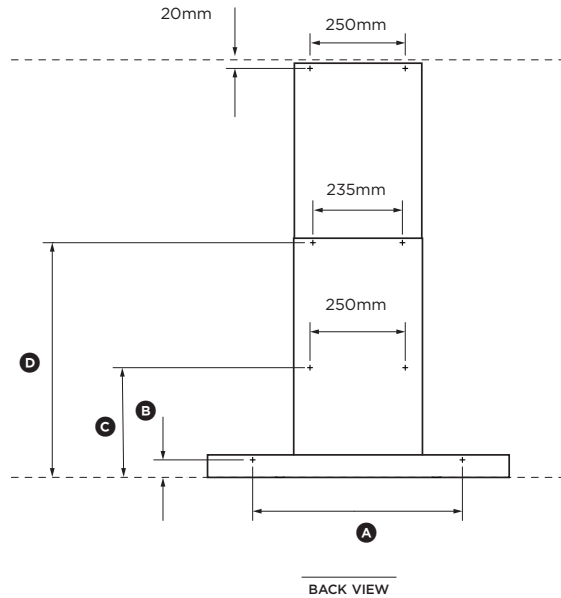
### SPECIFICATIONS

<b>Model No.</b>	HC60DCXB4 (Airflow 770m <sup>3</sup> /hr)
<b>Dimensions</b>	H 595 - 1035mm x W 598mm x D 500mm
<b>Minimum distance above cooktops</b>	Consult the cooktop installation guide for details of the required installation height of the rangehood
<b>Electrical</b>	
Supply	230VAC, 50Hz
Outlet	3 pin plug
<b>Light source</b>	
Type	9-Watt LED lightstrip

### PRODUCT DIMENSIONS



### ATTACHMENT DIMENSIONS



		mm
(A)	Maximum overall height of rangehood	1035
(B)	Minimum overall height of rangehood	595
(C)	Overall width of rangehood	598
(D)	Overall depth of rangehood	500
(E)	Diameter of ducting outlet	150

		mm
(A)	Lower rangehood attachment point width	420
(B)	Lower rangehood attachment point height	36
(C)	Upper rangehood attachment point height	286
(D)	Chimney bracket attachment point height	559

# FISHER & PAYKEL

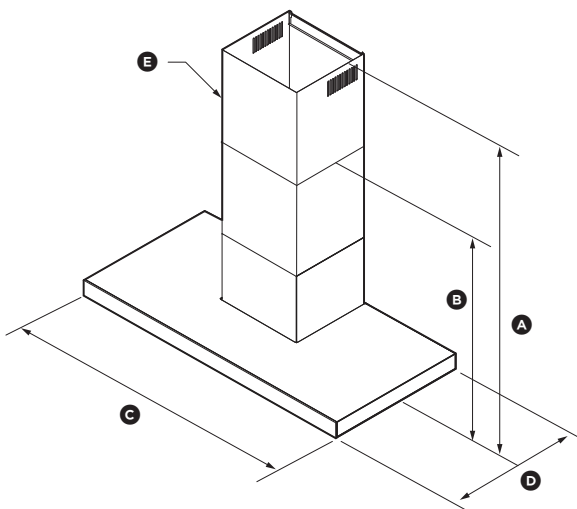
## PRELIMINARY SPECIFICATION GUIDE

## WALL RANGEHOOD, 90CM

### SPECIFICATIONS

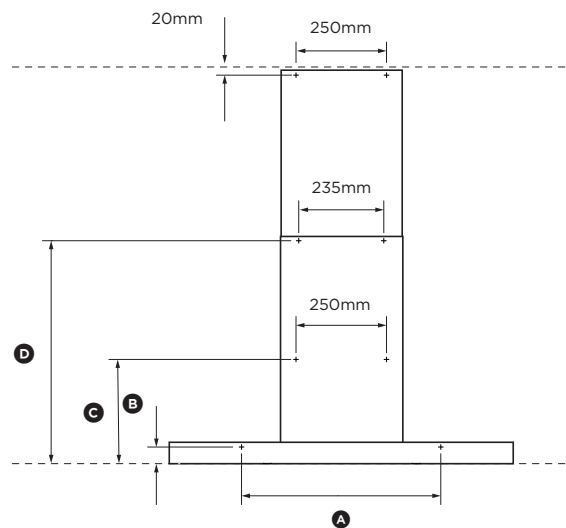
<b>Model No.</b>	HC90DCXB4 (Airflow 770m <sup>3</sup> /hr)
<b>Dimensions</b>	H 595 - 1035mm x W 898mm x D 500mm
<b>Minimum distance above cooktops</b>	Consult the cooktop installation guide for details of the required installation height of the rangehood
<b>Electrical</b>	
Supply	230VAC, 50Hz
Outlet	3 pin plug
<b>Light source</b>	
Type	9-Watt LED lightstrip

### PRODUCT DIMENSIONS



ISO VIEW

### ATTACHMENT DIMENSIONS



BACK VIEW

		mm
(A)	Maximum overall height of rangehood	1035
(B)	Minimum overall height of rangehood	595
(C)	Overall width of rangehood	898
(D)	Overall depth of rangehood	500
(E)	Diameter of ducting outlet	150

		mm
(A)	Lower rangehood attachment point width	580
(B)	Lower rangehood attachment point height	36
(C)	Upper rangehood attachment point height	286
(D)	Chimney bracket attachment point height	559

# FISHER & PAYKEL

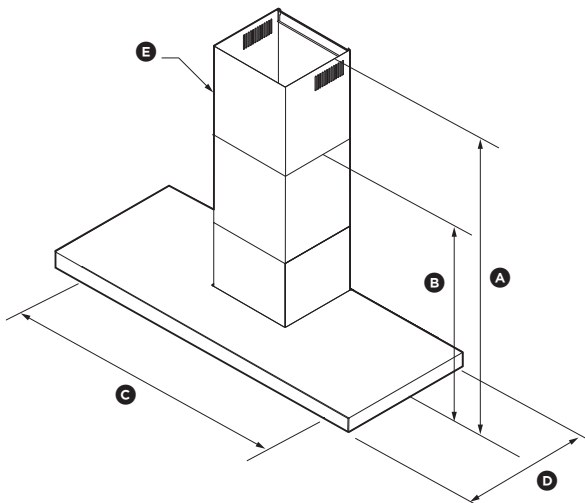
## PRELIMINARY SPECIFICATION GUIDE

## WALL RANGEHOOD, 120CM

### SPECIFICATIONS

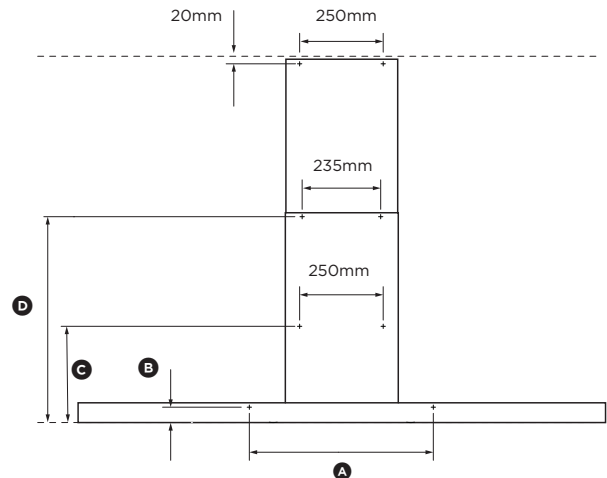
<b>Model No.</b>	HC120DCXB4 (Airflow 770m <sup>3</sup> /hr)
<b>Dimensions</b>	H 595 - 1035mm x W 1198mm x D 500mm
<b>Minimum distance above cooktops</b>	Consult the cooktop installation guide for details of the required installation height of the rangehood
<b>Electrical</b>	
Supply	230VAC, 50Hz
Outlet	3 pin plug
<b>Light source</b>	
Type	9-Watt LED lightstrip

### PRODUCT DIMENSIONS



ISO VIEW

### ATTACHMENT DIMENSIONS



BACK VIEW

		mm
(A)	Maximum overall height of rangehood	1035
(B)	Minimum overall height of rangehood	595
(C)	Overall width of rangehood	1198
(D)	Overall depth of rangehood	500
(E)	Diameter of ducting outlet	150

		mm
(A)	Lower rangehood attachment point width	770
(B)	Lower rangehood attachment point height	36
(C)	Upper rangehood attachment point height	286
(D)	Chimney bracket attachment point height	559