

30" Series 7 Contemporary 4 Burner Gas Range, Natural Gas

Series 7 | Contemporary

Stainless Steel | Natural Gas

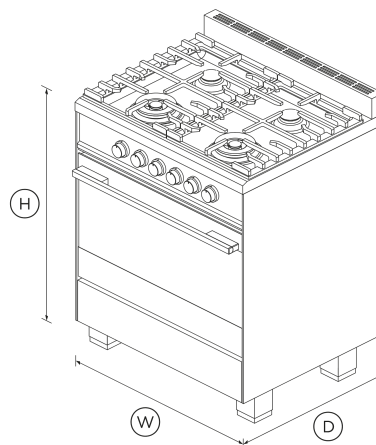


Add contemporary style to your kitchen, and enjoy the instant response and precision of a gas-fueled oven and cooktop.

- Four burner gas cooktop, with two dual ring wok burners
- Gas oven with 3.5 cu ft total capacity
- Three oven functions: Bake, Convection Bake and Maxi Broil

DIMENSIONS

Height	35 3/4 - 37 5/8 "
Width	29 7/8 "
Depth	25 1/4 "



FEATURES & BENEFITS

Design Quality

Every detail has been carefully crafted. The solid, perfectly balanced soft-close door, durable cooktop grates and machined stainless dials all add up to an exceptional, premium range.

Large Capacity Oven

The large 3.5cu ft total capacity for this range gives you plenty of space to cook multiple dishes at the same time.

Performance Power

Precise cooktop controls let you sear or stir fry over instant, powerful heat. Use the high burner power or simmer a delicate sauce using the gentlest of heats.

Easy Cleaning

With its durable surface, your cooktop simply needs a quick wipe after cooking to keep it looking good as new for years to come.

SPECIFICATIONS

Accessories (included)

2-pc grill system (Broil pan and Grill rack)	•
Broil pan	•
Chromed shelf runners	1 set
Full extension telescopic shelves	2 sets (part 578776)
Grill rack	true
Small pot support	1 (part 533981 cast)

Accessories (sold separately)

Kick strip, stainless steel (optional)	KICKOR30X1
Wok grate included	Yes

Burner ratings

Dual wok burner inner/outer (LPG)	1000 - 18000BTU
Dual wok burner inner/outer (natural gas)	1000 - 18000BTU
Maximum burner power	18000 BTU
Semi-rapid burner (LPG)	1500 - 7600BTU
Semi-rapid burner (natural gas)	1500 - 8000BTU

Total cooktop power	52000 BTU	Internal light	2 x 25W halogen (rear)	Rangetop features	
Capacity		Soft open/close door	•	Hob rail	•
Shelf positions	7	Storage drawer	•	LPG / Natural Gas compatible	•
Total capacity	3.5 cu ft			Sealed range top	•
Usable capacity	2.7 cu ft	Oven functions			
Cleaning		Bake	•	Rangetop Performance	
Acid resistant graphite enamel	•	Convection bake	•	Number of burners	4
Dishwasher proof trivets	•	Maxi Broil	•		
Removable oven door	•	Number of functions	3	Safety	
Removable shelf runners	•			ADA compliant	•
Controls		Oven performance		Advanced cooling system	•
Laser etched graphics	•	Bake power	14000 BTU	Anti-tilt bracket	•
		Broil	11000 BTU	Balanced oven door	•
		CoolTouch door	Triple glazed	CoolTouch door	•
				Full extension telescopic sliding shelves	•
		Power requirements		Non-tip shelves	•
		Connection	3-prong grounding type [NEMA 5-15P plug]	Spill containment	1/2 gallon
Gas Requirements		Service	15 A		
Supply Pressure (LPG)	11" W.C.P	Supply	120 V, 60 Hz	Warranty	
Supply Pressure (natural gas)	4" W.C.P			Parts and labor	2 years
Oven features		Product dimensions			
Auto re-ignition system	•	Depth	25 1/4 "	SKU	82763
Concealed element	•	Height	35 3/4 - 37 5/8 "		
Convection	•	Width	29 7/8 "		
Electronic ignition	•				
Full extension telescopic sliding shelves	•				

The product dimensions and specifications in this page apply to the specific product and model. Under our policy of continuous improvement, these dimensions and specifications may change at any time. You should therefore check with Fisher & Paykel's Customer Care Centre to ensure this page correctly describes the model currently available. © Fisher & Paykel Appliances Ltd 2020



A PEACE OF MIND SALE
24 Hours 7 Days a Week Customer Support
T 1.888.936.7872 W www.fisherpaykel.com

Other product downloads available at fisherpaykel.com

- [↓](#) 2D-DWG Gas Range
- [↓](#) 2D-DXF Gas Range
- [↓](#) Data Sheet Gas Range
- [↓](#) Service & Warranty
- [↓](#) Installation Guide EN
- [↓](#) Guide d'installation FR
- [↓](#) Revit Electric Range
- [↓](#) Rhino Electric Range
- [↓](#) Sketchup Electric Range
- [↓](#) User Guide Freestanding Range EN
- [↓](#) Guide d'utilisation FR

Where applicable:

All appliances use energy, and energy usage typically generates carbon emissions. **Fisher & Paykel Appliances' In-use Energy Carbon Emissions Estimate** indicates carbon emissions from a product's in-use energy. This is calculated either annually or per cycle, using the product's market-specific energy label energy consumption data multiplied by the carbon emissions factor for energy in your country or region.

Our In-use Energy Carbon Emissions Estimate is designed to assist customers in making informed purchasing decisions when comparing different Fisher & Paykel products. For example, a heat pump dryer typically has a lower In-use Energy Carbon Emissions Estimate than a vented dryer.