

# 60cm Series 9 Contemporary Compact Combi-Steam Oven

Series 9 | Contemporary

Stainless Steel



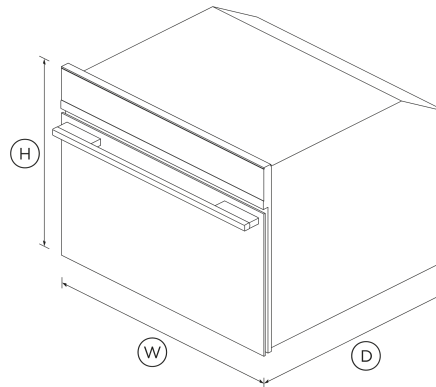
Reduce the need for oils and fats with steam cooking. Its compact size makes this perfect to pair with a warming drawer.

- 36L total capacity
- Steam cooking allows you to cook a food in its own juices, to retain nutrients and flavour
- Cooking flexibility with nine oven functions, including five steam functions, plus Grill and Fan Forced.

- Designed to match aesthetically with companion products such as warming drawers, for flexible cooking configurations.

## DIMENSIONS

|        |        |
|--------|--------|
| Height | 458 mm |
| Width  | 596 mm |
| Depth  | 562 mm |



## FEATURES & BENEFITS

### Healthy Eating

The Steam Oven allows you to cook food in its own juices to retain nutrients and flavour, with the steam moisture reducing the need for additional oils or fats.

### Sized To Suit

This compact 60cm Steam Oven can be placed almost anywhere. All companion products can be installed at a convenient height to suit your kitchen design and preference.

### Simple To Use

An easy to use, intuitive display shows the time and provides useful information about functions along with a refill alert.

### Easy Cleaning

Cleaning and care of the Steam Oven is easy. After each use, simply wipe the smooth stainless steel interior with a dry cloth.

### Safe And Sound

Keep those inquisitive little hands safe. A child lock has been included in the design of this Built-in Steam Oven

### Easy Installation

Plug in and cook straight away. The Steam Oven is easy to install, with no plumbing needed.

## SPECIFICATIONS

### Accessories (included)

|                             |   |
|-----------------------------|---|
| Baking pan                  | 1 |
| Perforated large steam dish | 1 |
| Wire shelf                  | 1 |
| Wired temperature sensor    | 1 |

### Accessories (sold separately)

|  |                              |
|--|------------------------------|
| Handle kit Contemporary round, aluminium | <b>Optional round handle</b> |
|--|------------------------------|

### Capacity

|                 |             |
|-----------------|-------------|
| Shelf positions | <b>3</b>    |
| Total capacity  | <b>36 L</b> |
| Usable capacity | <b>29 L</b> |

**Cleaning**

|                                     |   |
|-------------------------------------|---|
| Easy clean stainless steel interior | • |
| Removable water tank                | • |
| Steam clean (oven)                  | • |

**Controls**

|   |   |
|---|---|
| Automatic cooking/minute timer          | • |
| Automatic pre-set temperatures          | • |
| Celsius/Fahrenheit temperature          | • |
| Delay start                             | • |
| Electronic clock                        | • |
| Electronic oven control                 | • |
| Food probe                              | • |
| Guided cooking by food type and recipes | • |
| Halogen lights                          | • |
| Intuitive touchscreen display           | • |

**Functions**

|                     |          |
|---------------------|----------|
| Fan forced          | •        |
| Fan grill           | •        |
| Grill               | •        |
| Number of functions | <b>9</b> |
| Recipe function     | •        |
| Ring + grill        | •        |

|                           |   |
|---------------------------|---|
| Steam + ring              | • |
| Steam 100 (100°C / 210°F) | • |
| Steam 130 (130°C / 265°F) | • |
| Steam assist              | • |
| Steam clean (oven)        | • |

**Performance**

|                 |               |
|-----------------|---------------|
| Grill power     | <b>1500 W</b> |
| SteamTechnology | •             |

**Power requirements**

|                  |                    |
|------------------|--------------------|
| Amperage         | <b>15 A</b>        |
| Supply frequency | <b>50 Hz</b>       |
| Supply voltage   | <b>220 - 240 V</b> |

**Product dimensions**

|        |               |
|--------|---------------|
| Depth  | <b>562 mm</b> |
| Height | <b>458 mm</b> |
| Width  | <b>596 mm</b> |

**Safety**

|                        |   |
|------------------------|---|
| Control panel key lock | • |
| CoolTouch door         | • |
| Safety thermostat      | • |

**Warranty**

|                  |                |
|------------------|----------------|
| Parts and labour | <b>2 years</b> |
|------------------|----------------|

|     |              |
|-----|--------------|
| SKU | <b>82306</b> |
|-----|--------------|

The product dimensions and specifications in this page apply to the specific product and model. Under our policy of continuous improvement, these dimensions and specifications may change at any time. You should therefore check with Fisher & Paykel's Customer Care Centre to ensure this page correctly describes the model currently available. © Fisher & Paykel Appliances Ltd 2020

**Other product downloads available at fisherpaykel.com**

- [↓ 2D-DWG Combination Steam Oven](#)
- [↓ 2D-DXF Combination Steam Oven](#)
- [↓ Archicad Combination Steam Oven](#)
- [↓ Archicad Combination Steam Oven with 600mm Trim](#)
- [↓ Archicad Combination Steam Oven with 760mm Trim](#)
- [↓ Data Sheet Combination Steam Oven](#)
- [↓ Energy Rating](#)
- [↓ Service & Warranty](#)
- [↓ Installation Guide - Cavity Trim Kit](#)
- [↓ Installation Guide](#)
- [↓ Product Fiche](#)
- [↓ Revit Combination Steam Oven](#)
- [↓ Revit Combination Steam Oven with 600mm Trim](#)
- [↓ Revit Combination Steam Oven with 760mm Trim](#)
- [↓ Rhino Combination Steam Oven](#)
- [↓ Rhino Combination Steam Oven with 600mm Trim](#)
- [↓ Rhino Combination Steam Oven with 760mm Trim](#)
- [↓ Sketchup Combination Steam Oven](#)
- [↓ Sketchup Combination Steam Oven with 600mm Trim](#)

↓ Sketchup Combination Steam Oven with 760mm Trim

↓ User Guide

**Where applicable:**

All appliances use energy, and energy usage typically generates carbon emissions. **Fisher & Paykel Appliances' In-use Energy Carbon Emissions Estimate** indicates carbon emissions from a product's in-use energy. This is calculated either annually or per cycle, using the product's market-specific energy label energy consumption data multiplied by the carbon emissions factor for energy in your country or region.

Our In-use Energy Carbon Emissions Estimate is designed to assist customers in making informed purchasing decisions when comparing different Fisher & Paykel products. For example, a heat pump dryer typically has a lower In-use Energy Carbon Emissions Estimate than a vented dryer.



**A PEACE OF MIND SALE**

24 Hours 7 Days a Week Customer Support

T +65 6741 0777 W [www.fisherpaykel.com](http://www.fisherpaykel.com)