

FISHER & PAYKEL

SPECIFICATION GUIDE

SINGLE DISHDRAWER™ DISHWASHER, TALL, SANITISE SERIES 7, CONTEMPORARY STYLE



OVERVIEW

Created with extra height for large dishes and designed to be placed anywhere in your kitchen, for loading dishes with less bending

MODELS

Single DishDrawer™ Dishwasher, Tall, Sanitise

Stainless Steel
DD60SCTX9

Single DishDrawer™ Dishwasher, Tall, Sanitise

Stainless Steel
DD60SCTHX9

Single DishDrawer™ Dishwasher, Tall, Sanitise

White
DD60SCTW9

SERIES & STYLE

Series 7
Contemporary Style

FEATURES

- ① DishDrawer™ Dishwashers are designed to match the Fisher & Paykel family of kitchen appliances
- ② Six wash programs, from delicate to heavy to suit any load
- ③ Quick, Sanitise and Extra Dry provide extra wash options
- ④ With extra height for taller dishes, including round plates up to 310mm
- ⑤ Flexible racking allows you to customise internal shelf to suit your needs

ACCESORIES

- ① Cutlery basket
- ② Knife clip and multipurpose clip

FISHER & PAYKEL

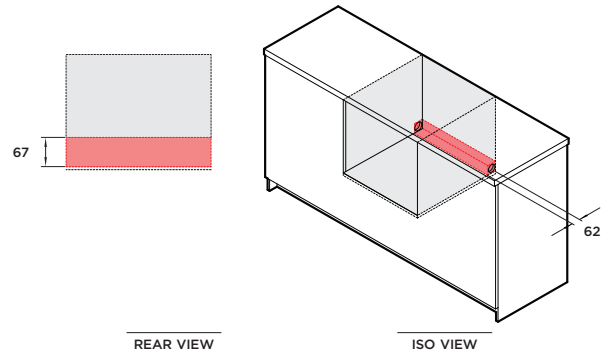
SPECIFICATION GUIDE

SINGLE DISHDRAWER™ DISHWASHER, TALL, SANITISE SERIES 7, CONTEMPORARY STYLE

SPECIFICATIONS

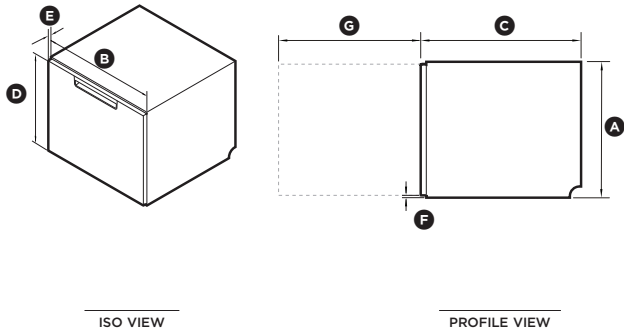
| | |
|-------------------|--|
| Model No. | DD60SCTX9, DD60SCTHX9, DD60SCTW9 |
| Dimensions | H 454mm x W 599mm x D 573mm |
| Weight | 31kg |
| Electrical | |
| Supply | 220-240V, 50Hz |
| Service | 4.2A |
| Receptacle | 3 pin earthing-type |
| Plumbing | |
| Supply | 3/4" BSP (GB20) to suit flat washer. |
| Pressure | Water softener models: max. 1 MPa (145 psi), min. 0.1 MPa (14.5 psi) Non-water softener models: max. 1 MPa (145 psi), min. 0.03 MPa (4.3 psi) |

PLUMBING AND ELECTRICAL

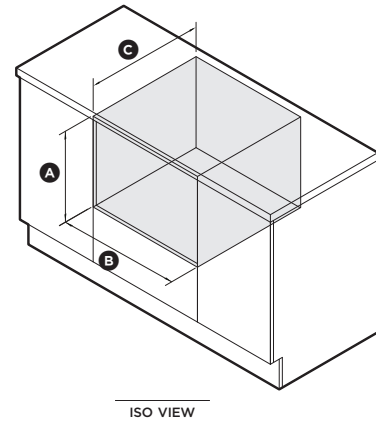


Service outlet at rear extends both sides, hoses and cords can be routed to either or both sides

PRODUCT DIMENSIONS



CAVITY DIMENSIONS: STANDARD INSTALLATION



| | mm |
|---|-----|
| Ⓐ Overall height | 454 |
| Ⓑ Overall width | 599 |
| Ⓒ Overall depth | 573 |
| Ⓓ Height of front panel | 437 |
| Ⓔ Depth of front panel | 20 |
| Ⓕ Height of ventilation gap below front panel | 7 |
| Ⓖ Depth of open drawer | 547 |

| | mm |
|------------------|---------|
| Ⓐ Overall height | min 456 |
| Ⓑ Overall width | 599 |
| Ⓒ Overall depth* | 580 |

*Includes front panels