

FISHER & PAYKEL

PRELIMINARY SPECIFICATION GUIDE

MODULAR COOKTOPS SERIES 11



OVERVIEW

Create the ultimate culinary solution with our Series 11 modular cooktops. Using the different induction, teppan and ventilation modules you can customise the cooking area, at the scale and format best suited to architectural plan and user needs. Fusing precise induction technology with innovative design, these modules are crafted to seamlessly work together for perfect results.

FEATURES

- ① Tailor the cooking space by pairing primary induction cooktop modules with complementary auxiliary cooktops, downdraft ventilation and teppan modules.
- ② Control the complete modular suite from the primary cooktop using a large intuitive touchscreen.
- ③ Each module is designed to fit flush or raised with the countertop for complete design freedom.
- ④ Choose from a Minimal style sleek black glass or subtle grey glass finish to suit your kitchen design.
- ⑤ SmartHQ™ app connectivity for additional cooking functions including Sous Vide and Poaching.*
- ⑥ Easy-to-clean single surface finish with a built-in cleaning mode.*
- ⑦ Wireless Temperature Sensor precisely monitors cooking in real time, for complete control.*

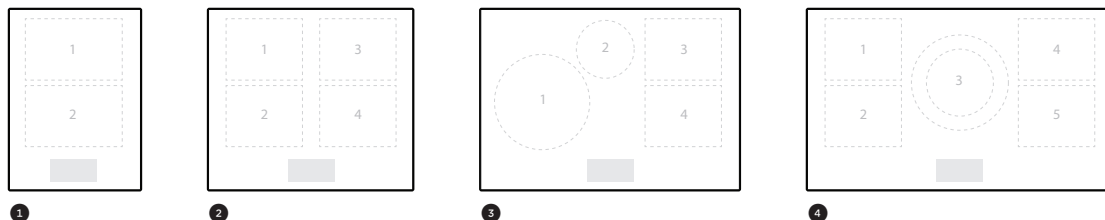
* Selected models only.

FISHER & PAYKEL

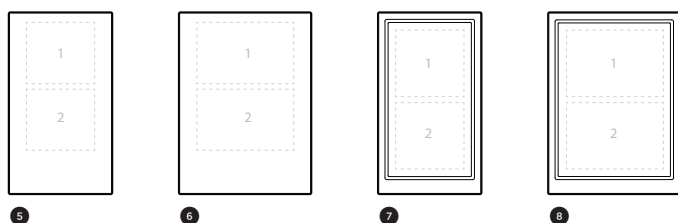
PRELIMINARY SPECIFICATION GUIDE

MODULAR PRODUCTS SERIES 11

PRIMARY MODULAR COOKTOPS



AUXILIARY MODULAR COOKTOPS



AUXILIARY MODULAR VENTILATION



PRODUCT OVERVIEW

PRIMARY MODULAR COOKTOPS - With touchscreen

1 CI392DTTB1 (Black), CI392DTTG1 (Grey)

Primary Modular Induction Cooktop, 39cm, 2 Zones with SmartZone

2 CI604DTTB1 (Black), CI604DTTG1 (Grey)

Primary Modular Induction Cooktop, 60cm, 4 Zones with SmartZone

3 CI764DTTB1 (Black), CI764DTTG1 (Grey)

Primary Modular Induction Cooktop, 76cm, 4 Zones with SmartZone

4 CI905DTTB1 (Black), CI905DTTG1 (Grey)

Primary Modular Induction Cooktop, 90cm, 5 Zones with SmartZone

AUXILIARY MODULAR COOKTOPS - No screen, must be paired with Primary Cooktop with touchscreen

5 CI302DB1 (Black), CI302DG1 (Grey)

Auxiliary Modular Induction Cooktop, 30cm, 2 Zones with SmartZone

6 CI392DB1 (Black), CI392DG1 (Grey)

Auxiliary Modular Induction Cooktop, 39cm, 2 Zones with SmartZone

7 CIT302DX1

Auxiliary Modular Teppanyaki Cooktop, 30cm, 2 Zones

8 CIT392DX1

Auxiliary Modular Teppanyaki Cooktop, 39cm, 2 Zones

AUXILIARY MODULAR VENTILATION - No screen, must be paired with Primary Cooktop with touchscreen

9 CD13DB1 (Black), CD13DG1 (Grey)

Auxiliary Modular Ventilation, 13cm, Duct Out

ACCESSORIES

TBC

Multiple Product Installation Kit

KRCD13D

Downdraft Recirculation Kit - coming soon

WTSC1

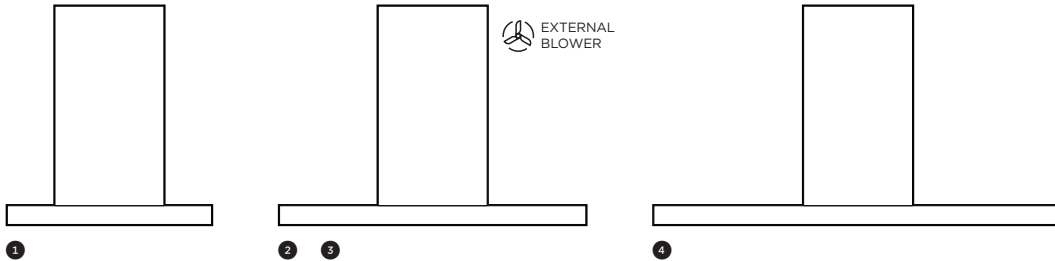
Wireless Temperature Sensor (Primary touchscreen cooktops supplied with 1x, also available to purchase separately).

FISHER & PAYKEL

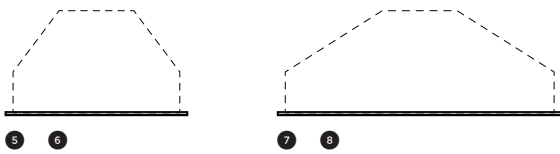
PRELIMINARY SPECIFICATION GUIDE

COMPATIBLE CONNECTED RANGEHOODS SERIES 7

WALL RANGEHOODS



INSERT RANGEHOODS



PRODUCT OVERVIEW

WALL RANGEHOODS

1 **HC60DCXB4**

Wall Rangehood, 60cm, Box Chimney

2 **HC90DCXB4**

Wall Rangehood, 60cm, Box Chimney

3 **HC90DCEXB4**

Wall Rangehood, 90cm, Box Chimney, with External Motor

4 **HC120DCXB4**

Wall Rangehood, 120cm, Box Chimney

INSERT RANGEHOODS

5 **HP60IDCHX4**

Integrated Insert Rangehood, 60cm

6 **HP60IDCHEX4**

Integrated Insert Rangehood, 60cm, with External Motor

7 **HP90IDCHX4**

Integrated Insert Rangehood, 90cm

8 **HP90IDCHEX4**

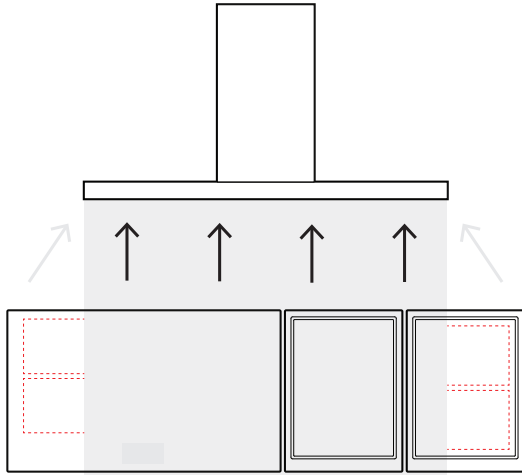
Integrated Insert Rangehood, 90cm, with External Motor

FISHER & PAYKEL

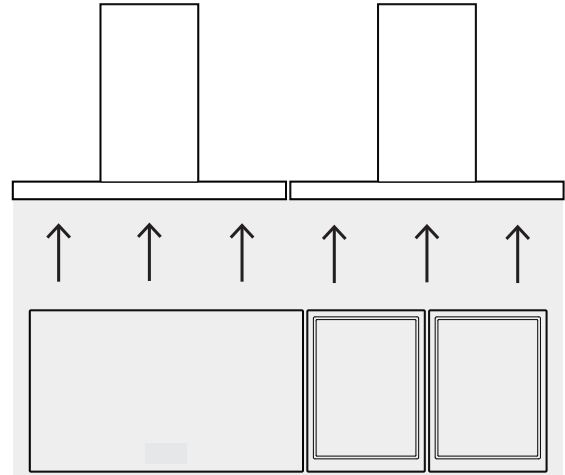
PRELIMINARY SPECIFICATION GUIDE

VENTILATION CONSIDERATIONS

RANGEHOOD VENTILATION



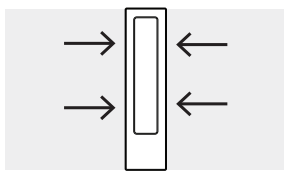
INSUFFICIENT VENTING



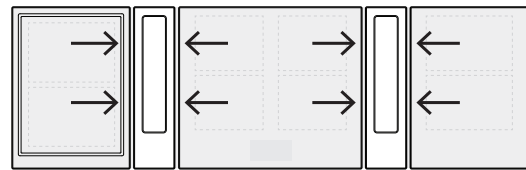
SUFFICIENT VENTING

- Rangehoods vertically extract air upwards into their canopy.
- Cooksurfaces directly below rangehood are efficiently vented.
- Cookzones positioned outside the width of the rangehood will not be effectively vented.
- Up to two connected rangehoods can be paired to provide a combined width to suit pairings of multiple modular cooktops.

MODULAR VENTILATION

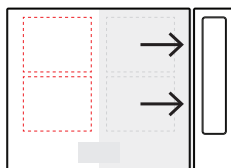


HORIZONTAL VENTILATION

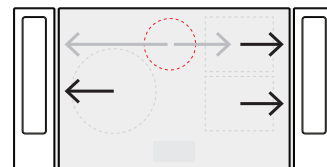


SUFFICIENT VENTING

- The downdraft Modular Ventilation unit extracts air horizontally from adjacent cooksurfaces.
- Cookzones directly adjacent to a Modular Ventilation unit are efficiently vented.
- Two Modular Ventilation units can be paired either side of a 60cm cooktop to provide effective ventilation.



INSUFFICIENT VENTING - ADJACENT COOKZONES ONLY



INSUFFICIENT VENTING - CENTRALLY POSITIONED COOKZONE

- PLEASE NOTE: Modular Ventilation units cannot provide effective ventilation to the centrally positioned cookzone of 76cm and 90cm cooktops.

FISHER & PAYKEL

PRELIMINARY SPECIFICATION GUIDE

MODULAR CONFIGURATIONS WITH VENTILATION

SERIES 11

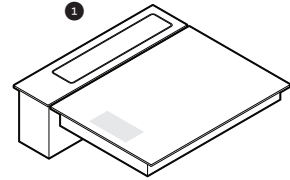
COMMON CONFIGURATIONS WITH MODULAR VENTILATION

1 SINGLE, WITH MODULAR VENTILATION

PRIMARY **CI392DTTB1 (Black), CI392DTTG1 (Grey)**
Primary Modular Induction Cooktop, 39cm, 2 Zones with SmartZone

VENTILATION **CD13DB1 (Black), CD13DG1 (Grey)**
Auxiliary Modular Ventilation, 13cm

ACCESSORY **TBC**
Multiple Product Installation Kit



2 2 IN A ROW, WITH MODULAR VENTILATION

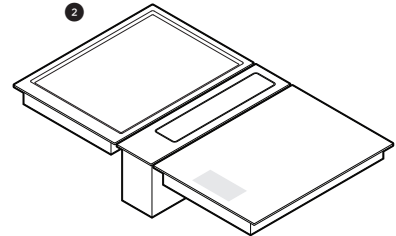
PRIMARY **CI392DTTB1 (Black), CI392DTTG1 (Grey)**
Primary Modular Induction Cooktop, 39cm, 2 Zones with SmartZone

AUXILIARY **CI392DB1 (Black), CI392DG1 (Grey)**
Auxiliary Modular Induction Cooktop, 39cm, 2 Zones with SmartZone

CIT392DX1
Auxiliary Modular Teppanyaki Cooktop, 39cm, 2 Zones

VENTILATION **CD13DB1 (Black), CD13DG1 (Grey)**
Auxiliary Modular Ventilation, 13cm

ACCESSORY **TBC**
Multiple Product Installation Kit



3 3 IN A ROW, WITH MODULAR VENTILATION

PRIMARY **CI392DTTB1 (Black), CI392DTTG1 (Grey)**
Primary Modular Induction Cooktop, 39cm, 2 Zones with SmartZone

CI604DTTB1 (Black), CI604DTTG1 (Grey)
Primary Modular Induction Cooktop, 60cm, 4 Zones with SmartZone

AUXILIARY **CI302DB1 (Black), CI302DG1 (Grey)**
Auxiliary Modular Induction Cooktop, 30cm, 2 Zones with SmartZone

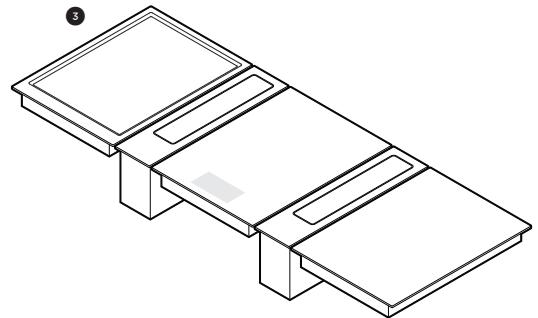
CI392DB1 (Black), CI392DG1 (Grey)
Auxiliary Modular Induction Cooktop, 39cm, 2 Zones with SmartZone

CIT302DX1
Auxiliary Modular Teppanyaki Cooktop, 30cm, 2 Zones

CIT392DX1
Auxiliary Modular Teppanyaki Cooktop, 39cm, 2 Zones

VENTILATION **CD13DB1 (Black), CD13DG1 (Grey)**
Auxiliary Modular Ventilation, 13cm

ACCESSORY **TBC**
Multiple Product Installation Kit



FISHER & PAYKEL

PRELIMINARY SPECIFICATION GUIDE

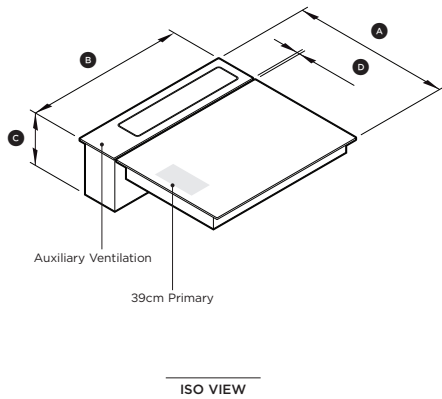
SINGLE, 39CM, MODULAR VENTILATION SERIES 11

SPECIFICATIONS

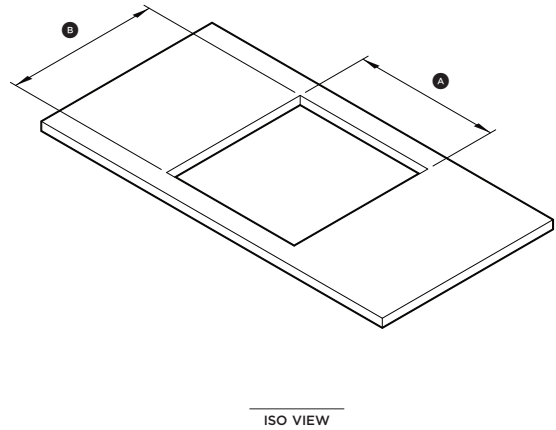
Configuration	Single, 39cm Driver with Modular Ventilation	
Models		
Primary	CI392DTTB1 Primary Modular Induction Cooktop, 39cm, 2 Zones with SmartZone, Black CI392DTTG1 Primary Modular Induction Cooktop, 39cm, 2 Zones with SmartZone, Grey	x1
Auxiliary	N/A	
Ventilation *	CD13DB1 Auxiliary Modular Ventilation, 13cm, Duct Out, Black CD13CG1 Auxiliary Modular Ventilation, 13cm, Duct Out, Grey	x1
Accessory	Multiple Product Installation Kit	x1
Electrical	Refer Individual product pages	

* Auxiliary Modular Ventilation unit can be placed to the right or left of the cooktop

PRODUCT DIMENSIONS



BENCHTOP CUTOUT DIMENSIONS



	mm
(A) Overall width of products	517
(B) Overall depth of products	530
(C) Overall height of products	186
(D) Gap between products	2

	mm
(A) Cutout width	481
(B) Cutout depth	510

IMPORTANT NOTE: Products can be flush mounted, this requires a recess in benchtop.

* Includes glass

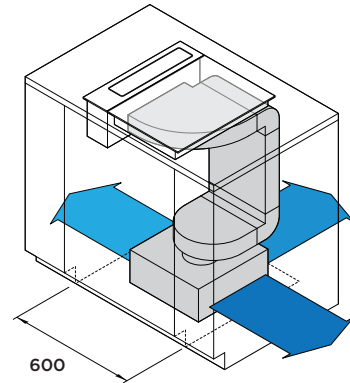
FISHER & PAYKEL

PRELIMINARY SPECIFICATION GUIDE

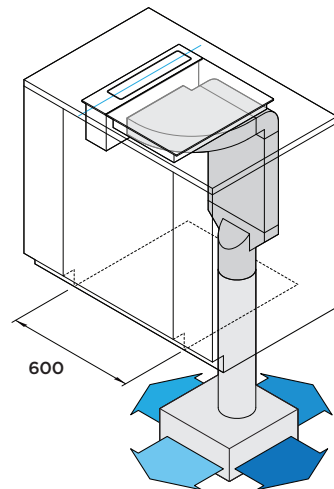
SINGLE, 39CM, MODULAR VENTILATION CABINETS OVERVIEW

VENTED

Extraction type	Vented
Downdraft outlet side	Left or Right
Adapter	90 Degree
Blower position	Floor
Blower outlet direction	Left, Right or Rear
Cabinet width	600
Oven combination	N/A

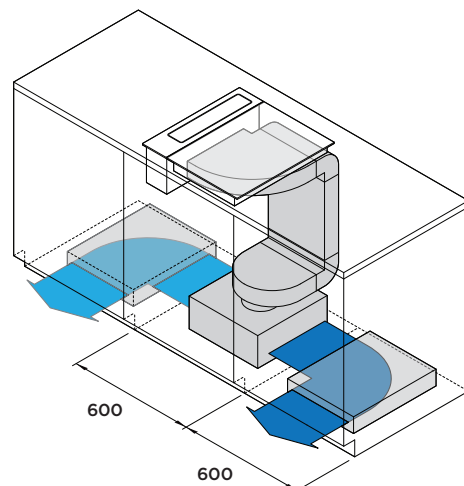


Extraction type	Vented
Downdraft outlet side	Left or Right
Adapter	Straight
Blower position	Sub Floor
Blower outlet direction	360 degrees
Cabinet width	600
Oven combination	1x 60cm Oven



RECIRCULATED

Extraction type	Recirculated
Downdraft outlet side	Left or Right
Adapter	90 Degree
Blower position	Floor
Blower outlet direction	Left or Right
Cabinet width	600 + 600
Oven combination	N/A



IMPORTANT NOTE: Example cabinetry based on standard unit sizes, other configurations are possible.

FISHER & PAYKEL

PRELIMINARY SPECIFICATION GUIDE

2 IN A ROW, 39CM + 39CM, MODULAR VENTILATION

SERIES 11

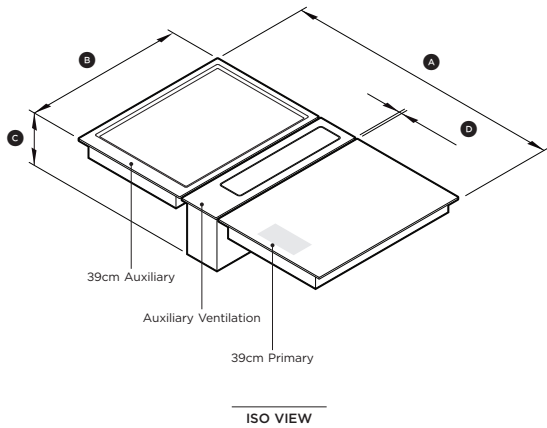
SPECIFICATIONS

Configuration	2 IN A ROW, 39cm Driver + 39cm Auxiliary, with Modular Ventilation	
Models *		
Primary	CI392DTTB1 Primary Modular Induction Cooktop, 39cm, 2 Zones with SmartZone, Black CI392DTTG1 Primary Modular Induction Cooktop, 39cm, 2 Zones with SmartZone, Grey	x1
Auxiliary **	CI392DTTB1 Auxiliary Modular Induction Cooktop, 39cm, 2 Zones with SmartZone, Black CI392DTTG1 Auxiliary Modular Induction Cooktop, 39cm, 2 Zones with SmartZone, Grey CIT385DX1 Auxiliary Modular Teppanyaki Cooktop, 39cm, 2 Zones	x1
Ventilation	CD13DB1 Auxiliary Modular Ventilation, 13cm, Duct Out, Black CD13CG1 Auxiliary Modular Ventilation, 13cm, Duct Out, Grey	x1
Accessory	Multiple Product Installation Kit	x2
Electrical	Refer to individual product pages	

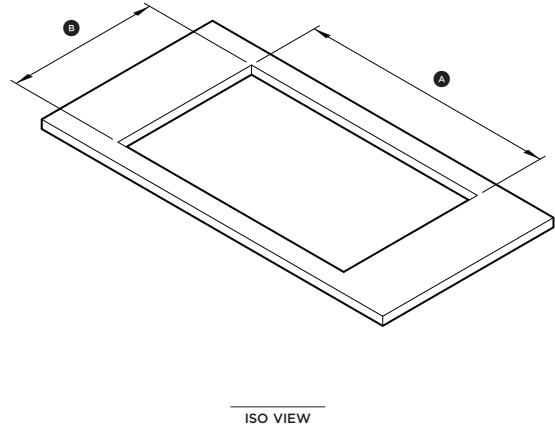
* Position of Driver and Auxiliary cooktops can be configured to suit requirements.

** Auxiliary cooktops can be interchanged to suit cook type preference.

PRODUCT DIMENSIONS



BENCHTOP CUTOUT DIMENSIONS



	mm
(A) Overall width of products	904
(B) Overall depth of products	530
(C) Overall height of products	186
(D) Gap between products	2

* Includes glass

	mm
(A) Cutout width	866
(B) Cutout depth	510

IMPORTANT NOTE: Products can be flush mounted, this requires a recess in benchtop.

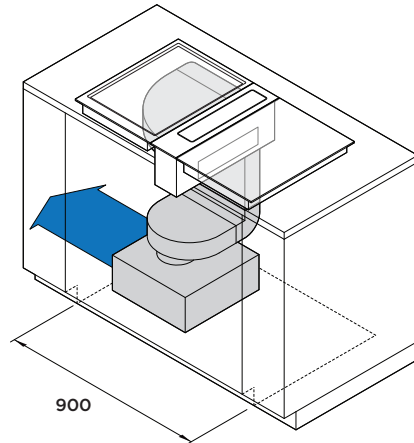
FISHER & PAYKEL

PRELIMINARY SPECIFICATION GUIDE

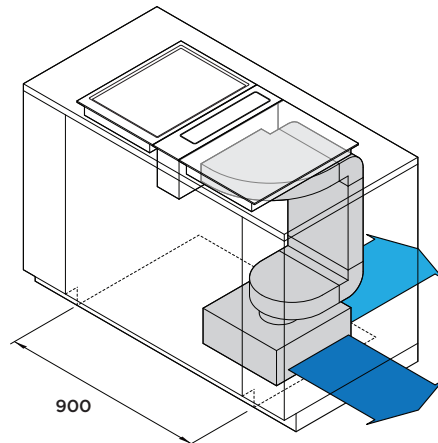
2 IN A ROW, 39CM + 39CM, MODULAR VENTILATION VENTED CABINETRY

VENTED

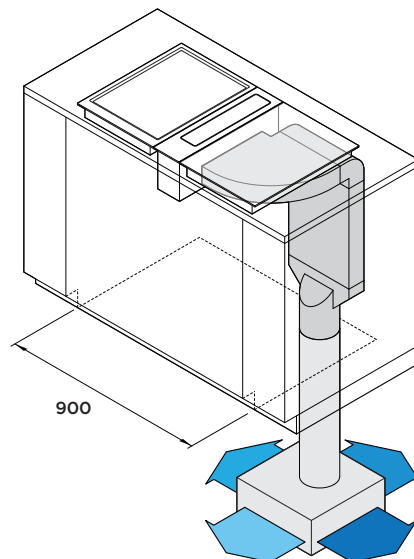
Extraction type	Vented
Downdraft outlet side	Left
Adapter	90 Degree
Blower position	Floor
Blower outlet direction	Left
Cabinet width	900
Oven combination	N/A



Extraction type	Recirculated
Downdraft outlet side	Right
Adapter	90 Degree
Blower position	Floor
Blower outlet direction	Right or Rear
Cabinet width	900
Oven combination	N/A



Extraction type	Vented
Downdraft outlet side	Left or Right
Adapter	Straight
Blower position	Sub Floor
Blower outlet direction	360 degrees
Cabinet width	900
Oven combination	1x 90cm



IMPORTANT NOTE: Example cabinetry based on standard unit sizes, other configurations are possible.

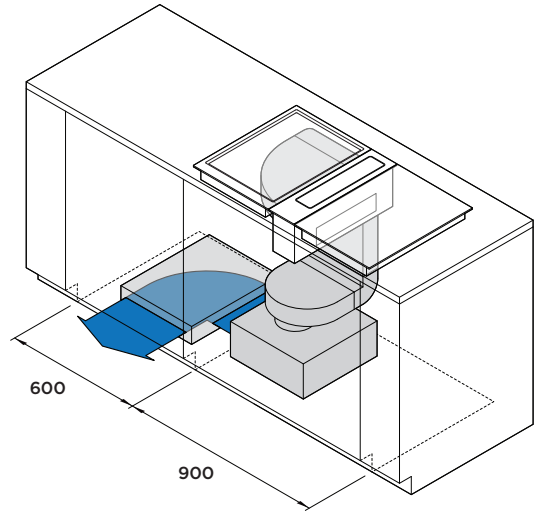
FISHER & PAYKEL

PRELIMINARY SPECIFICATION GUIDE

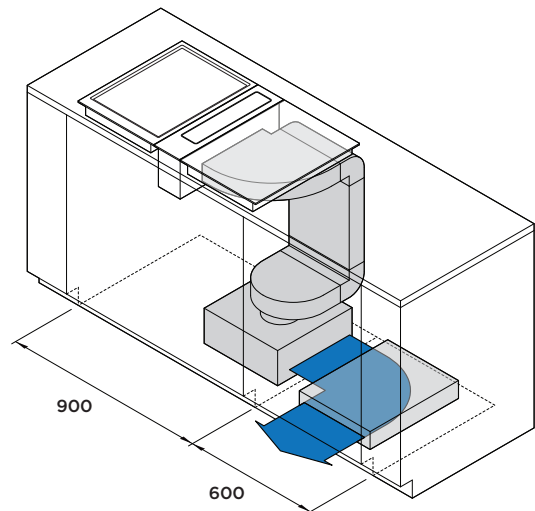
2 IN A ROW, 39CM + 39CM, MODULAR VENTILATION RECIRCULATED CABINETRY

RECIRCULATED

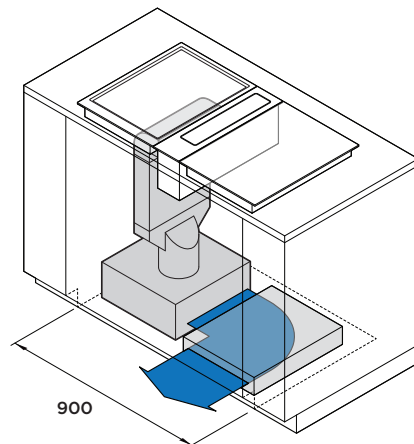
Extraction type	Recirculated
Downdraft outlet side	Left
Adapter	90 Degree
Blower position	Floor
Blower outlet direction	Left
Cabinet width	900 + 600
Oven combination	N/A



Extraction type	Recirculated
Downdraft outlet side	Right
Adapter	90 Degree
Blower position	Floor
Blower outlet direction	Right
Cabinet width	900 + 600
Oven combination	N/A



Extraction type	Recirculated
Downdraft outlet side	Left
Adapter	Straight
Blower position	Floor
Blower outlet direction	Right
Cabinet width	900
Oven combination	N/A



IMPORTANT NOTE: Example cabinetry based on standard unit sizes, other configurations are possible.

FISHER & PAYKEL

PRELIMINARY SPECIFICATION GUIDE

3 IN A ROW, 39CM + 30CM, MODULAR VENTILATION

SERIES 11

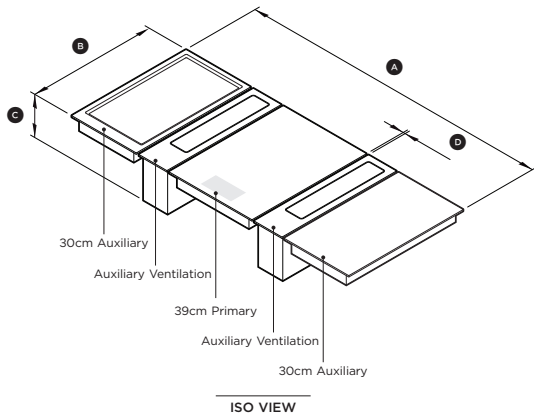
SPECIFICATIONS

Configuration	3 IN A ROW, 39cm Driver + 30cm Auxiliary, with Modular Ventilation	
Models *		
Primary	CI392DTTB1 Primary Modular Induction Cooktop, 39cm, 2 Zones with SmartZone, Black CI392DTTG1 Primary Modular Induction Cooktop, 39cm, 2 Zones with SmartZone, Grey	x1
Auxiliary **	CI302DB1 Auxiliary Modular Induction Cooktop, 30cm, 2 Zones with SmartZone, Black CI302DG1 Auxiliary Modular Induction Cooktop, 30cm, 2 Zones with SmartZone, Grey CIT302DX1 Auxiliary Modular Teppanyaki Cooktop, 30cm, 2 Zones	x2
Ventilation	CD13DB1 Auxiliary Modular Ventilation, 13cm, Duct Out, Black CD13CG1 Auxiliary Modular Ventilation, 13cm, Duct Out, Grey	x2
Accessory	Multiple Product Installation Kit	x4
Electrical	Refer to individual product pages	

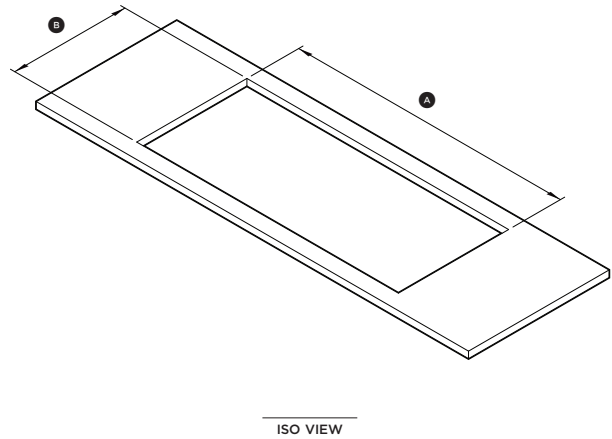
* Position of Driver and Auxiliary cooktops can be configured to suit requirements.

** Auxiliary cooktops can be interchanged to suit cook type preference.

PRODUCT DIMENSIONS



BENCHTOP CUTOUT DIMENSIONS



	mm
(A) Overall width of products	1253
(B) Overall depth of products	530
(C) Overall height of products	186
(D) Gap between products	2

* Includes glass

	mm
(A) Cutout width	1215
(B) Cutout depth	510

IMPORTANT NOTE: Products can be flush mounted, this requires a recess in benchtop.

FISHER & PAYKEL

PRELIMINARY SPECIFICATION GUIDE

3 IN A ROW, 39CM + 39CM, MODULAR VENTILATION

SERIES 11

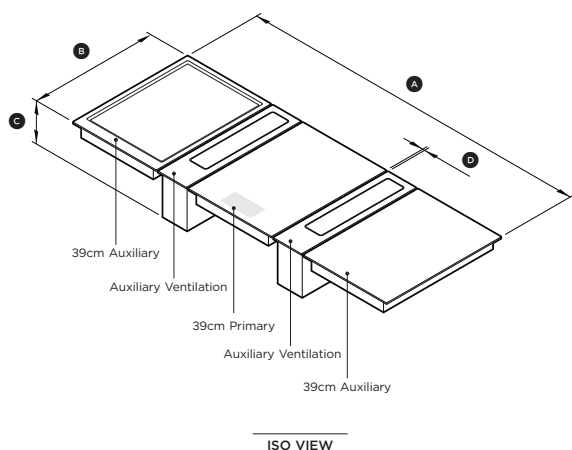
SPECIFICATIONS

Configuration	3 IN A ROW, 39cm Primary + 39cm Auxiliary, with Modular Ventilation	
Models *		
Primary	CI392DTTB1 Primary Modular Induction Cooktop, 39cm, 2 Zones with SmartZone, Black CI392DTTG1 Primary Modular Induction Cooktop, 39cm, 2 Zones with SmartZone, Grey	x1
Auxiliary **	CI392DTTB1 Auxiliary Modular Induction Cooktop, 39cm, 2 Zones with SmartZone, Black CI392DTTG1 Auxiliary Modular Induction Cooktop, 39cm, 2 Zones with SmartZone, Grey CIT385DX1 Auxiliary Modular Teppanyaki Cooktop, 39cm, 2 Zones	x2
Ventilation	CD13DB1 Auxiliary Modular Ventilation, 13cm, Duct Out, Black CD13CG1 Auxiliary Modular Ventilation, 13cm, Duct Out, Grey	x2
Accessory	Multiple Product Installation Kit	x4
Electrical	Refer to individual product pages	

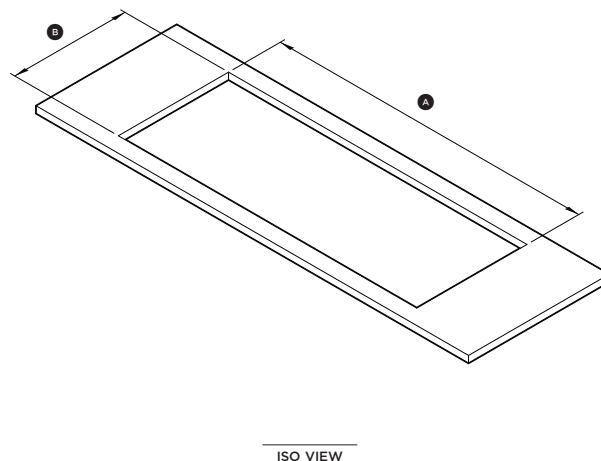
* Position of Primary and Auxiliary cooktops can be configured to suit requirements.

** Auxiliary cooktops can be interchanged to suit cook type preference.

PRODUCT DIMENSIONS



BENCHTOP CUTOUT DIMENSIONS



	mm
(A) Overall width of products	1423
(B) Overall depth of products	530
(C) Overall height of products	186
(D) Gap between products	2

* Includes glass

	mm
(A) Cutout width	1385
(B) Cutout depth	510

IMPORTANT NOTE: Products can be flush mounted, this requires a recess in benchtop.

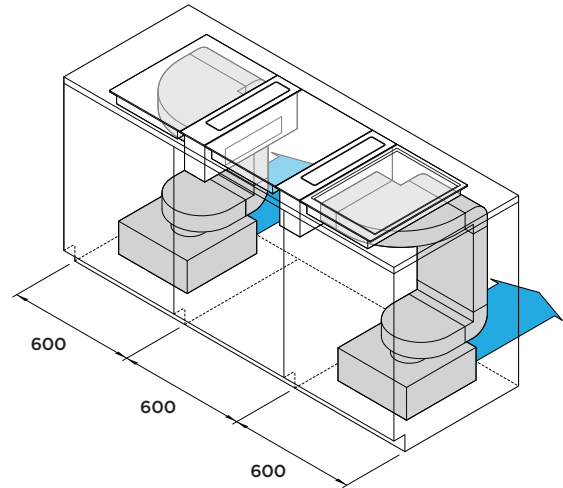
FISHER & PAYKEL

PRELIMINARY SPECIFICATION GUIDE

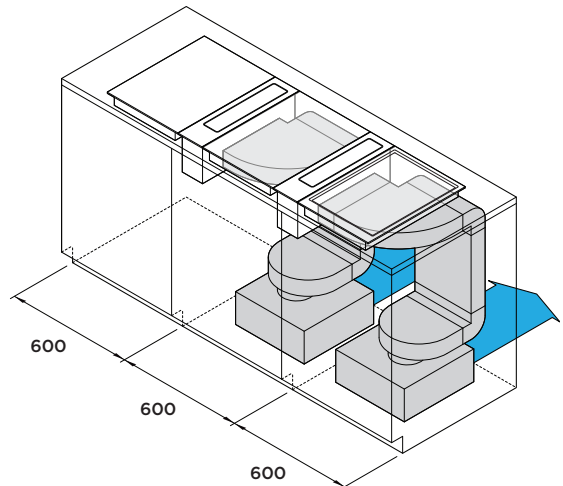
3 IN A ROW, 39CM, MODULAR VENTILATION VENTED CABINETY

VENTED

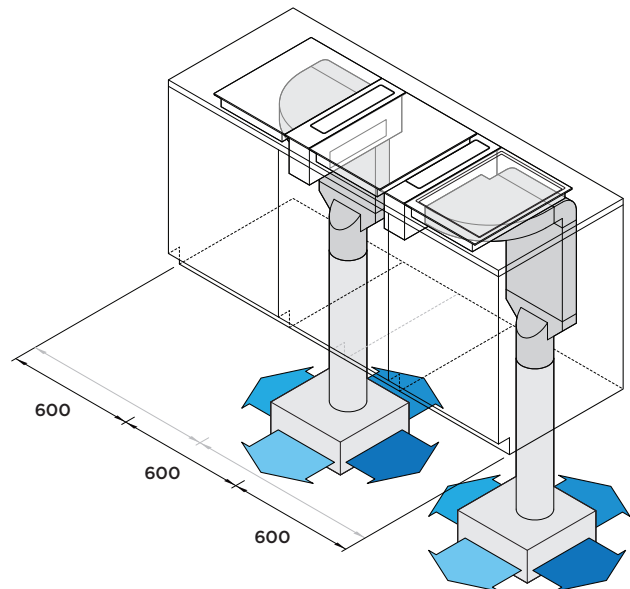
Extraction type	Vented
Downdraft outlet side	Left and right
Adapter	90 Degree
Blower position	Floor
Blower outlet direction	Rear
Cabinet width	1800 as 3x 600
Oven combination	1x 60cm below central cooktop



Extraction type	Vented
Downdraft outlet side	Right and right, or left and left
Adapter	90 Degree
Blower position	Floor
Blower outlet direction	Rear
Cabinet width	1800 as 3x 600
Oven combination	N/A



Extraction type	Vented
Downdraft outlet side	Left and right, or left and left, or right and right
Adapter	Straight
Blower position	Sub Floor
Blower outlet direction	360 degrees
Cabinet width	1800 as 3x 600 or 2x 900
Oven combination	3x 60cm oven or 2x 90cm



IMPORTANT NOTE: Example cabinetry based on standard unit sizes, other configurations are possible.

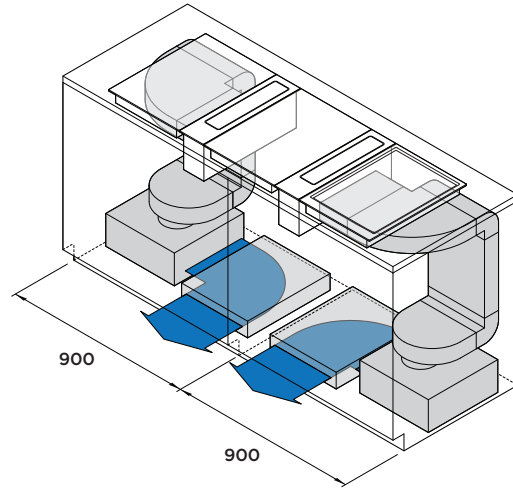
FISHER & PAYKEL

PRELIMINARY SPECIFICATION GUIDE

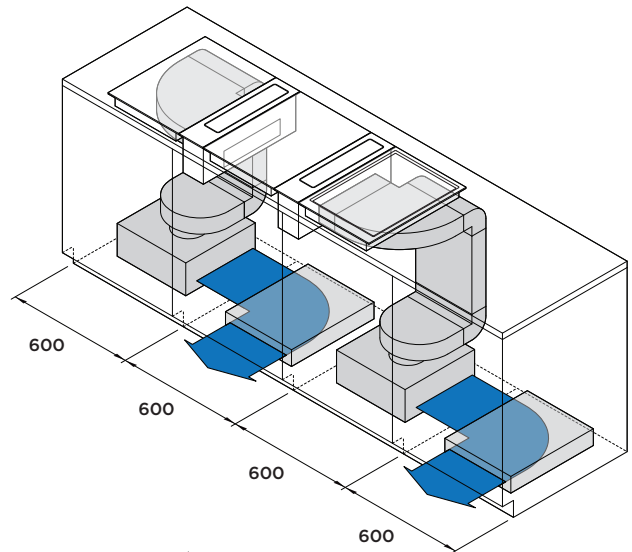
3 IN A ROW, 39CM, MODULAR VENTILATION RECIRCULATED CABINETRY

RECIRCULATED

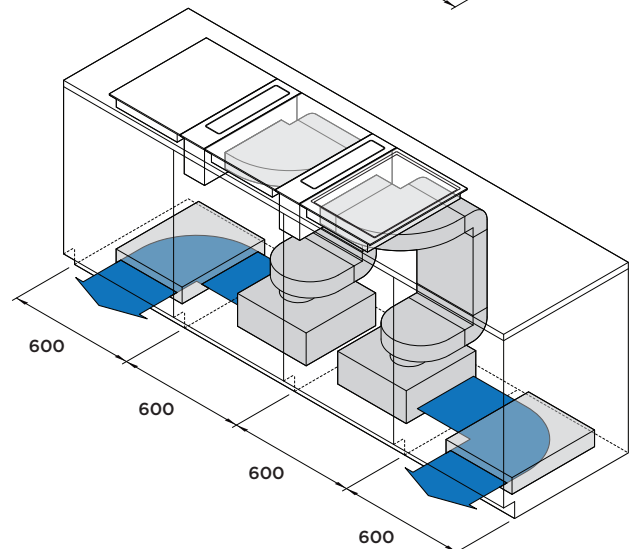
Extraction type	Recirculated
Downdraft outlet side	Left and right
Adapter	90 Degree
Blower position	Floor
Blower outlet direction	Right and left
Cabinet width	1800 as 2x 900
Oven combination	N/A



Extraction type	Recirculated
Oven combination	N/A
Adapter	90 Degree
Blower position	Floor
Blower outlet direction	Right or Left (example can be mirrored)
Cabinet width	2400 as 4x 600
Oven combination	1x 60cm below central cooktop



Extraction type	Recirculated
Downdraft outlet side	Left and left, or right and right
Adapter	90 Degree
Blower position	Floor
Blower outlet direction	Left and right
Cabinet width	2400 as 4x 600
Oven combination	N/A



IMPORTANT NOTE: Example cabinetry based on standard unit sizes, other configurations are possible.

FISHER & PAYKEL

PRELIMINARY SPECIFICATION GUIDE

3 IN A ROW, 60CM + 30CM, MODULAR VENTILATION

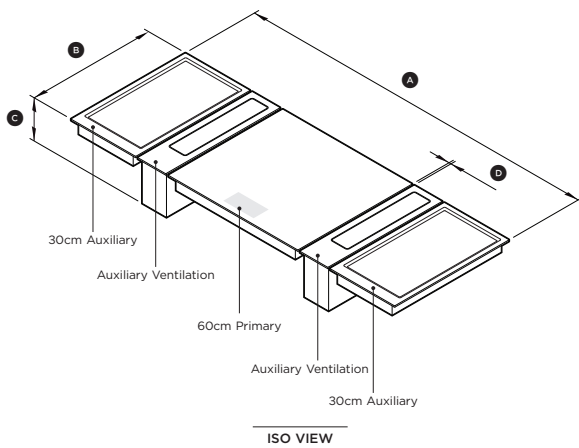
SERIES 11

SPECIFICATIONS

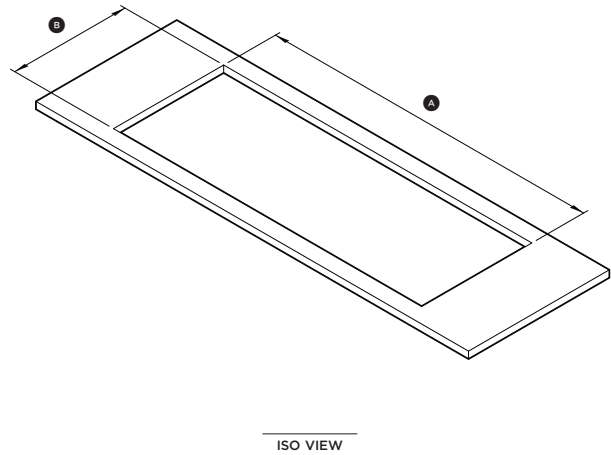
Configuration	3 IN A ROW, 60cm Primary + 30cm Auxiliary, with Modular Ventilation	
Models		
Primary	CI604DTTB1 Primary Modular Induction Cooktop, 60cm, 4 Zones with SmartZone, Black CI604DTTG1 Primary Modular Induction Cooktop, 60cm, 4 Zones with SmartZone, Grey	x1
Auxiliary **	CI302DB1 Auxiliary Modular Induction Cooktop, 30cm, 2 Zones with SmartZone, Black CI302DG1 Auxiliary Modular Induction Cooktop, 30cm, 2 Zones with SmartZone, Grey CIT302DX1 Auxiliary Modular Teppanyaki Cooktop, 30cm, 2 Zones	x2
Ventilation	CD13DB1 Auxiliary Modular Ventilation, 13cm, Duct Out, Black CD13CG1 Auxiliary Modular Ventilation, 13cm, Duct Out, Grey	x2
Accessory	Multiple Product Installation Kit	x4
Electrical	Refer to individual product pages	

** Auxiliary cooktops can be interchanged to suit cook type preference.

PRODUCT DIMENSIONS



BENCHTOP CUTOUT DIMENSIONS



	mm
(A) Overall width of products	1468
(B) Overall depth of products	530
(C) Overall height of products	186
(D) Gap between products	2

* Includes glass

	mm
(A) Cutout width	1430
(B) Cutout depth	510

IMPORTANT NOTE: Products can be flush mounted, this requires a recess in benchtop.

FISHER & PAYKEL

PRELIMINARY SPECIFICATION GUIDE

3 IN A ROW, 60CM + 39CM, MODULAR VENTILATION

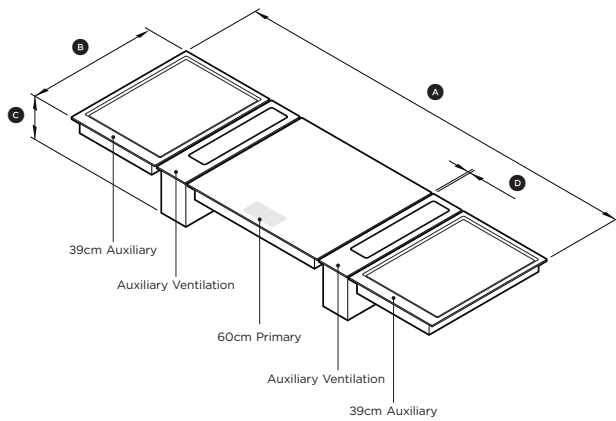
SERIES 11

SPECIFICATIONS

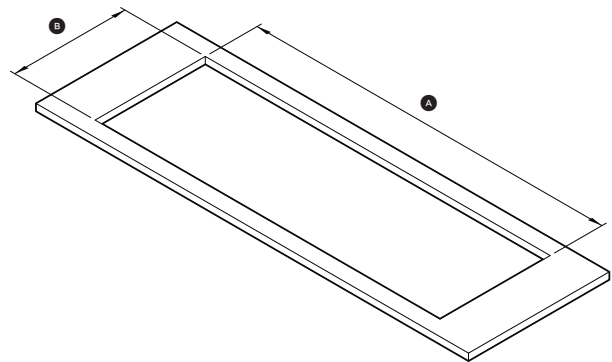
Configuration	3 IN A ROW, 60cm Primary + 39cm Auxiliary, with Modular Ventilation	
Models		
Primary	CI604DTTB1 Primary Modular Induction Cooktop, 60cm, 4 Zones with SmartZone, Black CI604DTTG1 Primary Modular Induction Cooktop, 60cm, 4 Zones with SmartZone, Grey	x1
Auxiliary **	CI392DTTB1 Auxiliary Modular Induction Cooktop, 39cm, 2 Zones with SmartZone, Black CI392DTTG1 Auxiliary Modular Induction Cooktop, 39cm, 2 Zones with SmartZone, Grey CIT385DX1 Auxiliary Modular Teppanyaki Cooktop, 39cm, 2 Zones	x2
Ventilation	CD13DB1 Auxiliary Modular Ventilation, 13cm, Duct Out, Black CD13CG1 Auxiliary Modular Ventilation, 13cm, Duct Out, Grey	x2
Accessory	Multiple Product Installation Kit	x4
Electrical	Refer to individual product pages	

** Auxiliary cooktops can be interchanged to suit cook type preference.

PRODUCT DIMENSIONS



BENCHTOP CUTOUT DIMENSIONS



	mm
(A) Overall width of products	1638
(B) Overall depth of products	530
(C) Overall height of products	186
(D) Gap between products	2

* Includes glass

	mm
(A) Cutout width	1600
(B) Cutout depth	510

IMPORTANT NOTE: Products can be flush mounted, this requires a recess in benchtop.

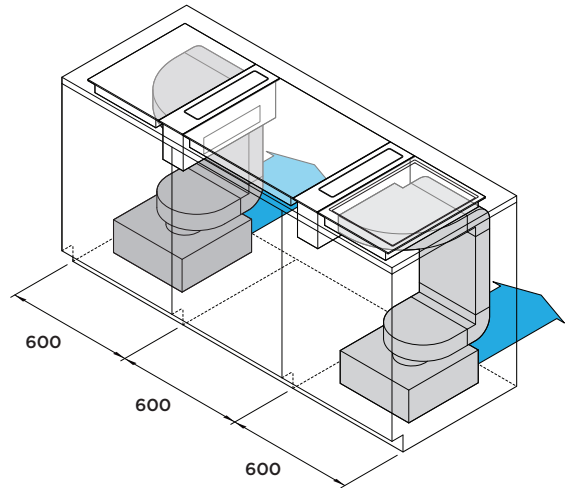
FISHER & PAYKEL

PRELIMINARY SPECIFICATION GUIDE

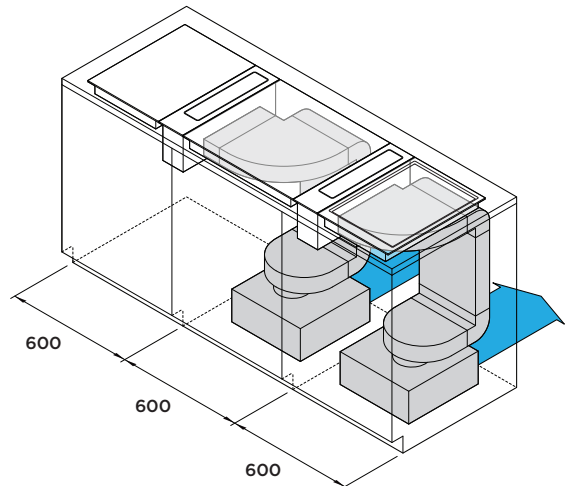
3 IN A ROW, 60CM, MODULAR VENTILATION VENTED CABINETRY

VENTED

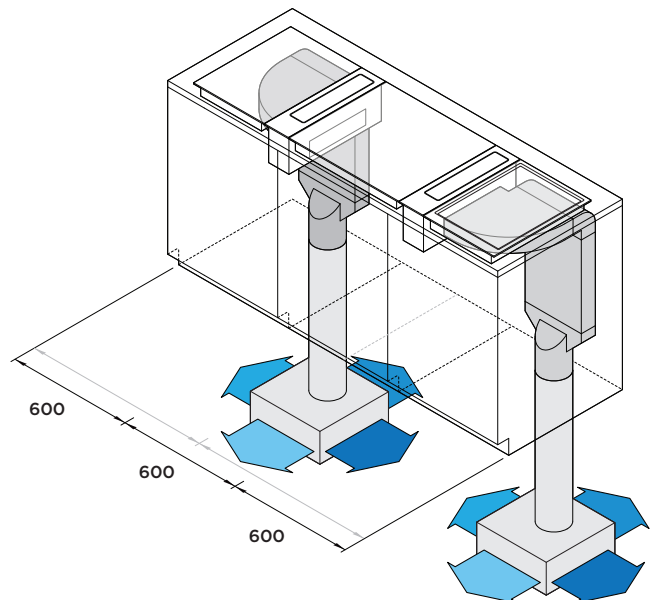
Extraction type	Vented
Downdraft outlet side	Left and right
Adapter	90 Degree
Blower position	Floor
Blower outlet direction	Rear
Cabinet width	1800 as 3x 600 or 2x 900
Oven combination	1x 60cm below central cooktop



Extraction type	Vented
Downdraft outlet side	Right and right, or left and left
Adapter	90 Degree
Blower position	Floor
Blower outlet direction	Rear
Cabinet width	1800 as 3x 600
Oven combination	1x below left cooktop (right mirrored)



Extraction type	Vented
Downdraft outlet side	Left and right, left and left, or right and right
Adapter	Straight
Blower position	Sub Floor
Blower outlet direction	360 degrees
Cabinet width	1800 as 3x 600 or 2x 900
Oven combination	3x 60cm oven 2x 90cm oven



IMPORTANT NOTE: Example cabinetry based on standard unit sizes, other configurations are possible.

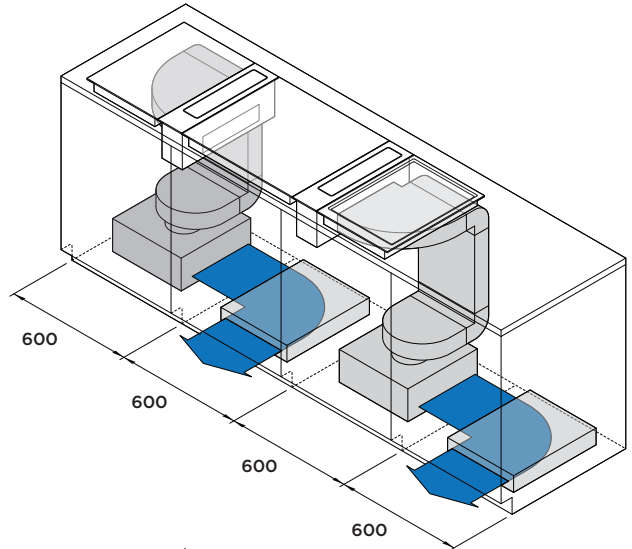
FISHER & PAYKEL

PRELIMINARY SPECIFICATION GUIDE

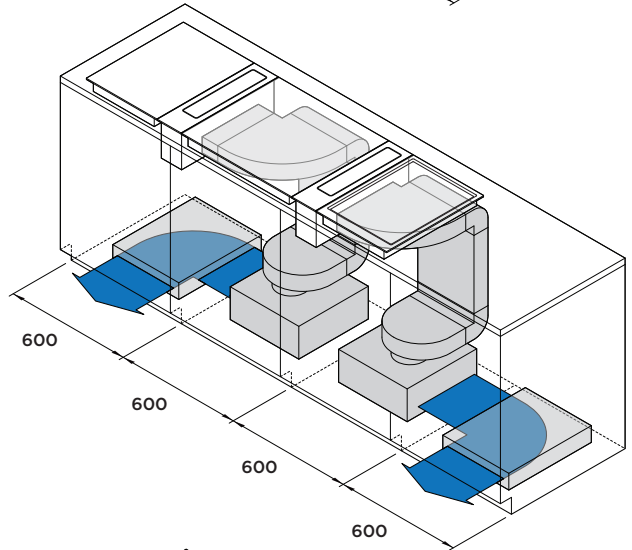
3 IN A ROW, 60CM + 39CM, DOWNDRAFT VENTILATION RECIRCULATED CABINETRY

RECIRCULATED

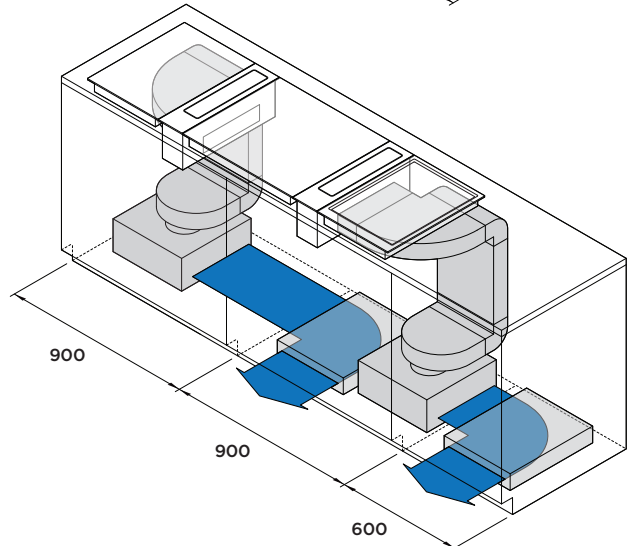
Extraction type	Recirculated
Downdraft outlet side	Left and right, left and left, or right and right
Adapter	90 Degree
Blower position	Floor
Recirculation position	Right or Left (example can be mirrored)
Cabinet width	2400 as 4x 600
Oven combination	1x 60cm oven below central cooktop



Extraction type	Recirculated
Downdraft outlet side	Left and right, left and left, or right and right
Adapter	90 Degree
Blower position	Floor
Recirculation position	Right and Left
Cabinet width	2400 as 4x 600
Oven combination	1x below left cooktop (right mirrored)



Extraction type	Recirculated
Downdraft outlet side	Left and right, left and left, or right and right
Adapter	90 Degree
Blower position	Floor
Recirculation position	Right or Left (example can be mirrored)
Cabinet width	2400 as 2x 900 + 600
Oven combination	N/A



IMPORTANT NOTE: Example cabinetry based on standard unit sizes, other configurations are possible.

FISHER & PAYKEL

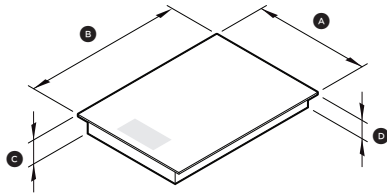
PRELIMINARY SPECIFICATION GUIDE

PRIMARY MODULAR INDUCTION COOKTOP, 39CM SERIES 11

SPECIFICATION

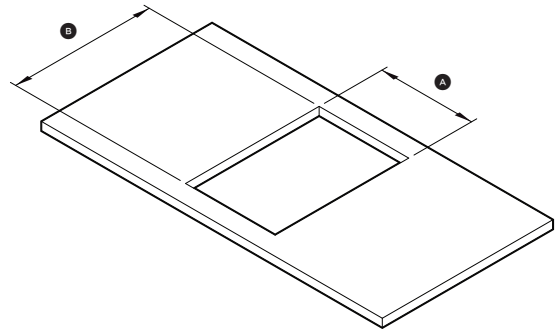
Model No.	CI392DTTB1 Primary Modular Induction Cooktop, 39cm, 2 Zones with SmartZone, Black CI392DTTG1 Primary Modular Induction Cooktop, 39cm, 2 Zones with SmartZone, Grey
Dimensions	H 58 mm W 385mm D 530mm
Electrical	
Supply	220-240VAC, 50Hz/60Hz
Service	20 Amp circuit
Outlet	Mains power cable with stripped bare wires supplied.

PRODUCT DIMENSIONS



ISO VIEW

BENCHTOP CUTOUT DIMENSIONS



ISO VIEW

	mm
(A) Overall width	385
(B) Overall depth	530
(C) Overall height *	58
(D) Height of chassis	52

* Includes glass

	mm
(A) Cutout width	347
(B) Cutout depth	510

IMPORTANT NOTE: Products can be flush mounted, this requires a recess in benchtop.

FISHER & PAYKEL

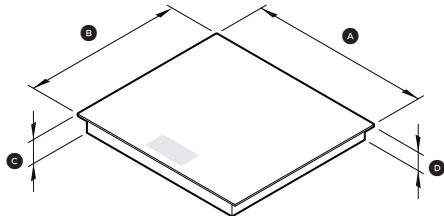
PRELIMINARY SPECIFICATION GUIDE

PRIMARY MODULAR INDUCTION COOKTOP, 60CM SERIES 11

SPECIFICATION

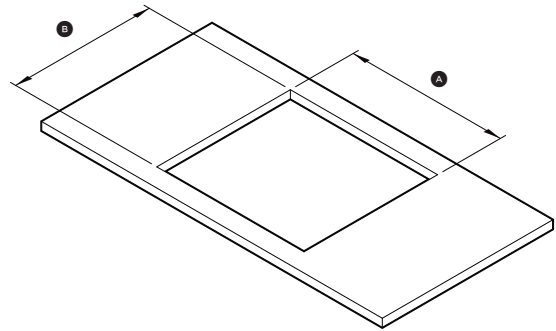
Model No.	CI604DTTB1 Primary Modular Induction Cooktop, 60cm, 4 Zones with SmartZone, Black CI604DTTG1 Primary Modular Induction Cooktop, 60cm, 4 Zones with SmartZone, Grey
Dimensions	H 58mm W 600mm D 530mm
Weight	12 kg
Electrical	
Supply	220-240VAC, 50Hz/60Hz
Service	35 Amp circuit
Outlet	Mains power connection at cooktop's junction box.

PRODUCT DIMENSIONS



ISO VIEW

BENCHTOP CUTOUT DIMENSIONS



ISO VIEW

	mm
(A) Overall width	600
(B) Overall depth	530
(C) Overall height *	58
(D) Height of chassis	52

* Includes glass

	mm
(A) Cutout width **	562
(B) Cutout depth	510

IMPORTANT NOTE: Products can be flush mounted, this requires a recess in benchtop.

FISHER & PAYKEL

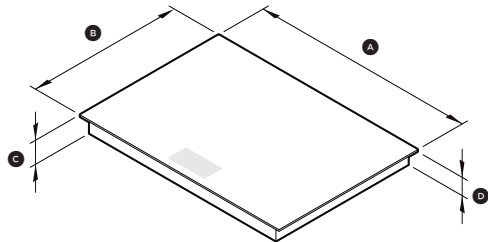
PRELIMINARY SPECIFICATION GUIDE

PRIMARY MODULAR INDUCTION COOKTOP, 76CM SERIES 11

SPECIFICATION

Model No.	CI764DTTB1 Primary Modular Induction Cooktop, 76cm, 4 Zones with SmartZone, Black CI764DTTG1 Primary Modular Induction Cooktop, 76cm, 4 Zones with SmartZone, Grey
Dimensions	H 58mm W 760mm D 530mm
Weight	13 kg
Electrical	
Supply	220-240VAC, 50Hz/60Hz
Service	35 Amp circuit
Outlet	Mains power connection at cooktop's junction box.

PRODUCT DIMENSIONS

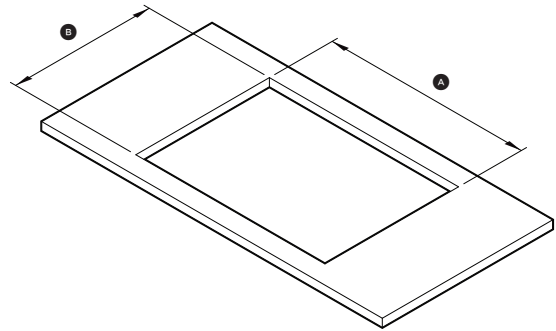


ISO VIEW

	mm
(A) Overall width	760
(B) Overall depth	530
(C) Overall height *	58
(D) Height of chassis	52

* Includes glass

BENCHTOP CUTOUT DIMENSIONS



ISO VIEW

	mm
(A) Cutout width	722
(B) Cutout depth	510

IMPORTANT NOTE: Products can be flush mounted, this requires a recess in benchtop.

FISHER & PAYKEL

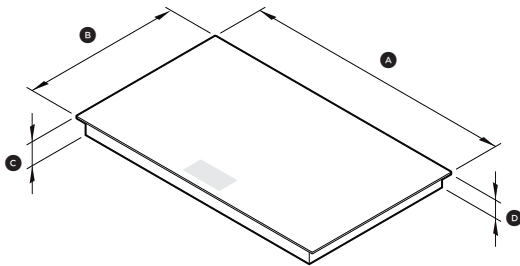
PRELIMINARY SPECIFICATION GUIDE

PRIMARY MODULAR INDUCTION COOKTOP, 90CM SERIES 11

SPECIFICATION

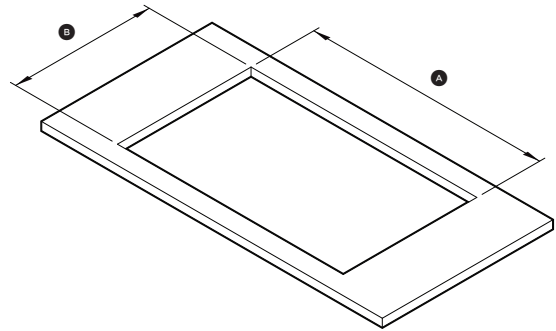
Model No.	C1905DTTB1 Primary Modular Induction Cooktop, 90cm, 5 Zones with SmartZone, Black C1905DTTG1 Primary Modular Induction Cooktop, 90cm, 5 Zones with SmartZone, Grey
Dimensions	H 58mm W 900mm D 530mm
Weight	19 kg
Electrical	
Supply	220-240VAC, 50Hz/60Hz
Service	50 Amp circuit
Outlet	Mains power connection at cooktop's junction box.

PRODUCT DIMENSIONS



ISO VIEW

BENCHTOP CUTOUT DIMENSIONS



ISO VIEW

	mm
(A) Overall width	900
(B) Overall depth	530
(C) Overall height *	58
(D) Height of chassis	52

* Includes glass

	mm
(A) Cutout width	862
(B) Cutout depth	510

IMPORTANT NOTE: Products can be flush mounted, this requires a recess in benchtop.

FISHER & PAYKEL

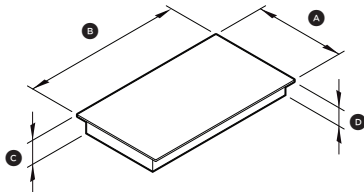
PRELIMINARY SPECIFICATION GUIDE

AUXILIARY MODULAR INDUCTION COOKTOP, 30CM SERIES 11

SPECIFICATION

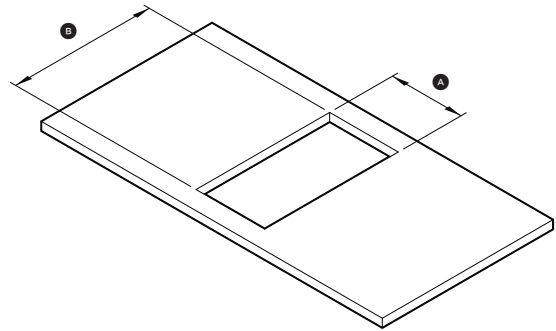
Model No.	CI302DB1 Auxiliary Modular Induction Cooktop, 30cm, 2 Zones with SmartZone, Black CI302DG1 Auxiliary Modular Induction Cooktop, 30cm, 2 Zones with SmartZone, Grey
Dimensions	H 58mm W 300mm D 530mm
Weight	8 kg
Electrical	
Supply	220-240VAC, 50Hz/60Hz
Service	20 Amp circuit
Outlet	Mains power cable with stripped bare wires supplied.

PRODUCT DIMENSIONS



ISO VIEW

BENCHTOP CUTOUT DIMENSIONS



ISO VIEW

	mm
(A) Overall width	300
(B) Overall depth	530
(C) Overall height *	58
(D) Height of chassis	52

* Includes glass

	mm
(A) Cutout width **	262
(B) Cutout depth	510

** Cooktop must be installed with a Primary Modular Cooktop

IMPORTANT NOTE: Products can be flush mounted, this requires a recess in benchtop.

FISHER & PAYKEL

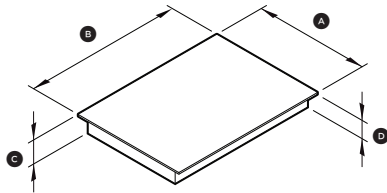
PRELIMINARY SPECIFICATION GUIDE

AUXILIARY MODULAR INDUCTION COOKTOP, 39CM SERIES 11

SPECIFICATION

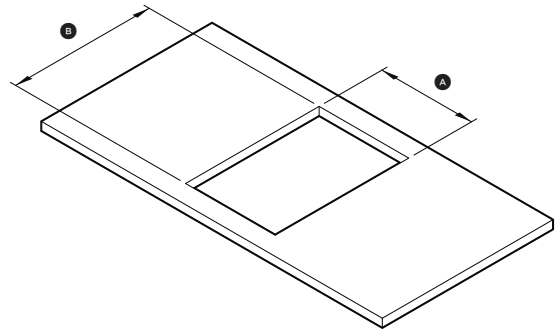
Model No.	CI392DTTB1 Auxiliary Modular Induction Cooktop, 39cm, 2 Zones with SmartZone, Black CI392DTTG1 Auxiliary Modular Induction Cooktop, 39cm, 2 Zones with SmartZone, Grey
Dimensions	H 58 mm W 385mm D 530mm
Electrical	
Supply	220-240VAC, 50Hz/60Hz
Service	20 Amp circuit
Outlet	Mains power cable with stripped bare wires supplied.

PRODUCT DIMENSIONS



ISO VIEW

BENCHTOP CUTOUT DIMENSIONS



ISO VIEW

	mm
(A) Overall width	385
(B) Overall depth	530
(C) Overall height *	58
(D) Height of chassis	52

* Includes glass

	mm
(A) Cutout width **	347
(B) Cutout depth	510

** Cooktop must be installed with a Primary Modular Cooktop

IMPORTANT NOTE: Products can be flush mounted, this requires a recess in benchtop.

FISHER & PAYKEL

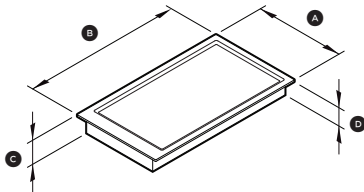
PRELIMINARY SPECIFICATION GUIDE

AUXILIARY MODULAR TEPPANYAKI COOKTOP, 30CM SERIES 11

SPECIFICATION

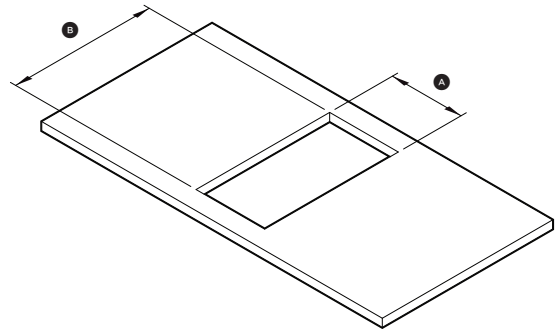
Model No.	CIT302DX1 Auxiliary Modular Teppanyaki Cooktop, 30cm, 2 Zones
Dimensions	H 76mm W 300mm D 530mm
Weight	11 kg
Electrical	
Supply	220-240VAC, 50Hz/60Hz
Service	20 Amp circuit
Outlet	Mains power cable with stripped bare wires supplied.

PRODUCT DIMENSIONS



ISO VIEW

BENCHTOP CUTOUT DIMENSIONS



ISO VIEW

	mm
(A) Overall width	300
(B) Overall depth	530
(C) Overall height	76
(D) Height of chassis	70

	mm
(A) Cutout width **	262
(B) Cutout depth	510

** Cooktop must be installed with a Primary Modular Cooktop

IMPORTANT NOTE: Products can be flush mounted, this requires a recess in benchtop.

FISHER & PAYKEL

PRELIMINARY SPECIFICATION GUIDE

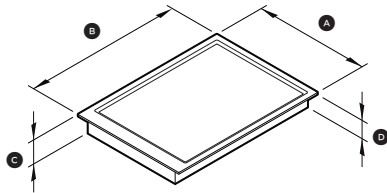
AUXILIARY MODULAR TEPPANYAKI COOKTOP, 39CM

SERIES 11

SPECIFICATION

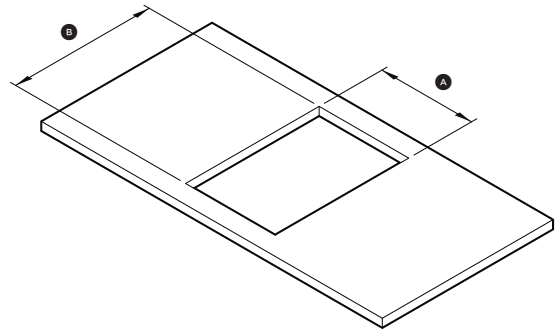
Model No.	CIT385DX1 Auxiliary Modular Teppanyaki Cooktop, 39cm, 2 Zones
Dimensions	H 76 mm W 385mm D 530mm
Electrical	
Supply	220-240VAC, 50Hz/60Hz
Service	20 Amp circuit
Outlet	Mains power cable with stripped bare wires supplied.

PRODUCT DIMENSIONS



ISO VIEW

BENCHTOP CUTOUT DIMENSIONS



ISO VIEW

	mm
(A) Overall width	385
(B) Overall depth	530
(C) Overall height	76
(D) Height of chassis	70

	mm
(A) Cutout width **	347
(B) Cutout depth	510

** Cooktop must be installed with a Primary Modular Cooktop

IMPORTANT NOTE: Products can be flush mounted, this requires a recess in benchtop.

FISHER & PAYKEL

PRELIMINARY SPECIFICATION GUIDE

AUXILIARY MODULAR VENTILATION, 13CM SERIES 11

SPECIFICATION

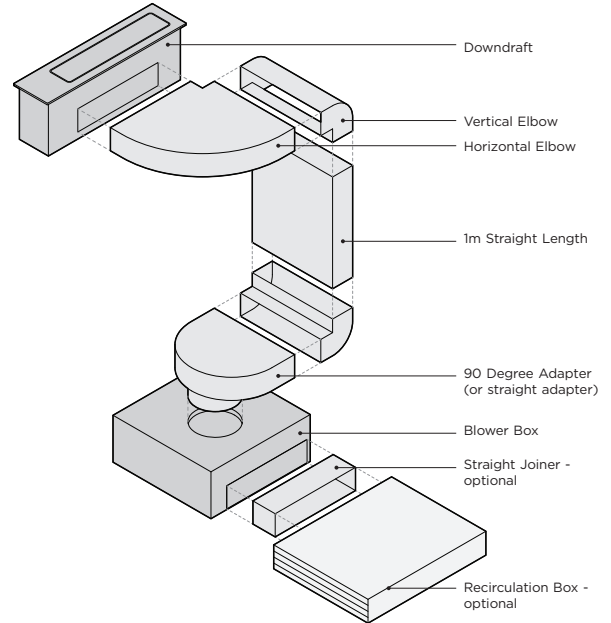
Model No.	CD13DB1 Auxiliary Modular Ventilation, 13cm, Duct Out, Black CD13CG1 Auxiliary Modular Ventilation, 13cm, Duct Out, Grey
Dimensions	H 186 mm W 130mm D 530mm
Electrical	
Supply	220-240V, 50Hz
Outlet	Plug

CUTOUT DIMENSIONS

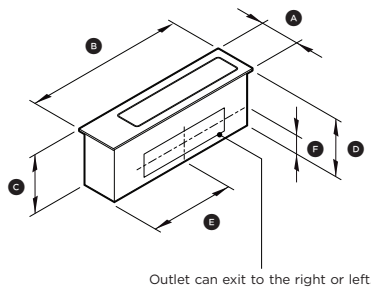
The Auxiliary Modular Ventilation unit is to be installed alongside cooktop/s, refer to product combination pages for combined cutout dimensions.

AUXILIARY MODULAR VENTILATION SYSTEM OVERVIEW

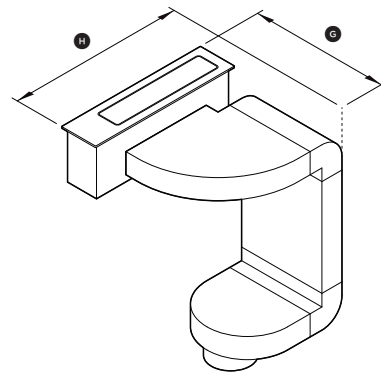
Ducting components to be supplied with product or available as accessories.



PRODUCT DIMENSIONS



ISO VIEW



	mm
(A) Overall width	130
(B) Overall depth	530
(C) Overall height *	186
(D) Height of chassis	180
(E) Depth to centre of outlet from front of glass	279
(F) Height to centre of outlet	61

	mm
(G) Minimum width of downdraft and horizontal elbow **	475
(H) Minimum depth of downdraft and ducting **	600

* includes glass

** can be increased by adding extra ducting components

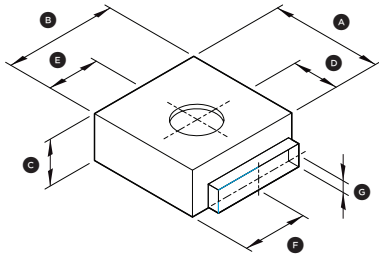
IMPORTANT NOTE: Products can be flush mounted, this requires a recess in benchtop.

FISHER & PAYKEL

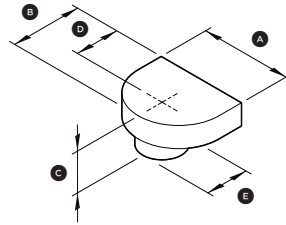
PRELIMINARY SPECIFICATION GUIDE

MODULAR VENTILATION DUCTING COMPONENTS

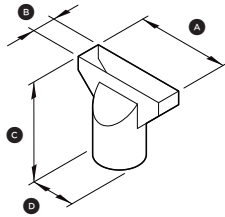
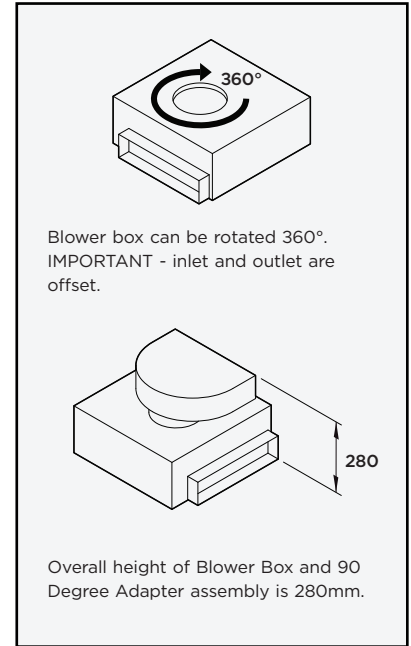
SERIES 11



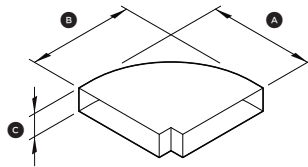
BLOWER BOX	mm
(A) Width of blower box	374
(B) Depth of blower box	379
(C) Height of blower box	155
(D) Width to centre of inlet	158
(E) Depth to centre of inlet	174
(F) Depth to centre of outlet	214
(G) Height to centre of outlet	41



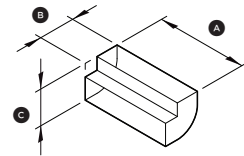
90 DEGREE ADAPTER	mm
(A) Width of adapter	307
(B) Depth of adapter	240
(C) Height of adapter	140
(D) Depth to outlet	150
(E) Outlet size diameter	150



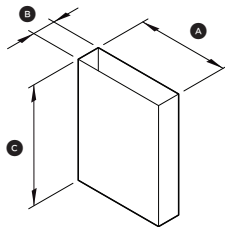
STRAIGHT ADAPTER	mm
(A) Width of adapter	307
(B) Depth of adapter	150
(C) Height of adapter	250
(D) Outlet size diameter	150



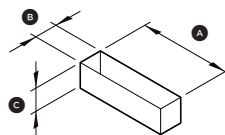
HORIZONTAL ELBOW	mm
(A) Height of elbow	77
(B) Width of elbow	352
(C) Depth of elbow	352



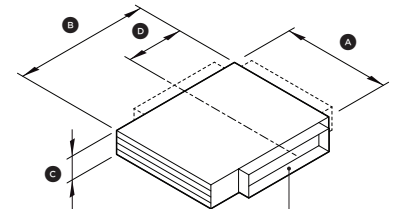
VERTICAL ELBOW	mm
(A) Width of elbow	307
(B) Depth of elbow	122
(C) Height of elbow	122



STRAIGHT LENGTH	mm
(A) Width of ducting	303
(B) Depth of ducting	73
(C) Height of ducting	1000



STRAIGHT JOINER	mm
(A) Width of joiner	307
(B) Depth of joiner	77
(C) Height of joiner	85



RECIRCULATION BOX	mm
(A) Width of recirculation box	TBC
(B) Depth of recirculation box	TBC
(C) Height of recirculation box	79
(D) Depth to centre of outlet	TBC

Outlet can be positioned left, right or rear.