

# 90cm Series 9 Integrated CoolDrawer Multi-temperature Drawer

Series 9 | Integrated

Panel Ready

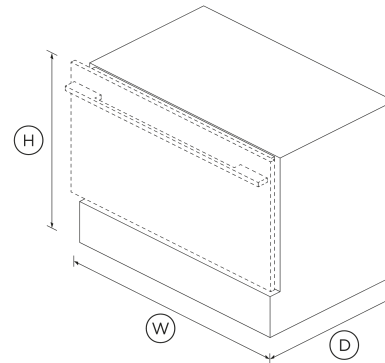


Use your CoolDrawer™ as a refrigerator, pantry or freezer with the push of a button. Customise with cabinetry or a stainless steel panel.

- Variable Temperature Zone lets you change between five different food modes - fridge, freezer, pantry, chill and wine
- Customise with your own kitchen cabinetry or purchase our stainless steel door panel accessory

## DIMENSIONS

Height	640 mm
Width	855 mm
Depth	557 mm



## FEATURES & BENEFITS

### Fridge

The ideal storage for most foods such as fruit, vegetables, dairy products and drinks. The compact upper storage tray is a perfect place for sensitive foods while the tall bin is ideal for large bottles and containers.

### Pantry

Designed for foods that require a cool, dark place for storage, such as tropical fruits, tomatoes and cereals.

### Freezer

Ideal for general frozen food storage with the added flexibility of three freezer functions - bottle chill, fast freeze and deep freeze. Freezer mode is set at -18°C for longer-term storage of frozen items.

### Wine

Wine Mode is ideal for long-term storage of all wine at 12°C, or short-term storage at 7°C for white wine and 15°C for red wine.

### Chill

Chill Mode sets the compartment to a temperature ideal for highly perishable meats, poultry and seafood. Chill Mode sets the compartment at -0.5°C, just above the freezing temperature for meat.

## SPECIFICATIONS

### Accessories (sold separately)

Door panel set stainless steel	RD9064S
Handle kit Classic	AHCLRD90S
Handle kit Contemporary round, aluminium	AHSRB90S
Handle kit Contemporary square fine, aluminium	AHD5RD90S
Handle kit Contemporary square fine, black	AHD5RD90SB
Handle kit Professional round flush	AHP3RD90S

### Capacity

Total net volume	104L
------------------	------

### Consumption

Energy rating	Grade 1
---------------	---------

Energy usage **0.59kWh/24h**

SKU **25283**

Our In-use Energy Carbon Emissions Estimate is designed to assist customers in making informed purchasing decisions when comparing different Fisher & Paykel products. For example, a heat pump dryer typically has a lower In-use Energy Carbon Emissions Estimate than a vented dryer.

**Features**

- Door alarm
- SmartTouch control panel

The product dimensions and specifications in this page apply to the specific product and model. Under our policy of continuous improvement, these dimensions and specifications may change at any time. You should therefore check with Fisher & Paykel's Customer Care Centre to ensure this page correctly describes the model currently available. © Fisher & Paykel Appliances Ltd 2020

**Freezer Features**

Freezer temperature range **-5 to -18°C**

**Other product downloads available at fisherpaykel.com**

- [↓ Energy Rating](#)
- [↓ Energy Label !\[\]\(b6d55d0b173caf9b2505126db01e6158\_img.jpg\)](#)
- [↓ Service & Warranty](#)
- [↓ Installation Guide](#)
- [↓ Installation Guide - Quick Reference](#)
- [↓ Water Filter Replacement Instructions - Parts 847200 and 847201 - ZH](#)
- [↓ Installation Guide !\[\]\(12811766810e4126d2bed4d8c0808e60\_img.jpg\)](#)
- [↓ Restriction of Hazardous Substances](#)
- [↓ User Guide](#)
- [↓ User Guide !\[\]\(ef4c06c861a77cbd8cff5c2a4ca34233\_img.jpg\)](#)

**Performance**

Refrigerator temperature range **-0.5 to 12°C (including Wine mode)**

**Power requirements**

Connection power **186W**  
Supply voltage **220 - 240 V**

**Where applicable:**

All appliances use energy, and energy usage typically generates carbon emissions. **Fisher & Paykel Appliances' In-use Energy Carbon Emissions Estimate** indicates carbon emissions from a product's in-use energy. This is calculated either annually or per cycle, using the product's market-specific energy label energy consumption data multiplied by the carbon emissions factor for energy in your country or region.

**Product dimensions**

Depth **557 mm**  
Height **640 mm**  
Width **855 mm**

**Warranty**

Parts and labour **1 year**