

Series 9, Integrated Dishwasher

Series 9 | Integrated

Panel Ready



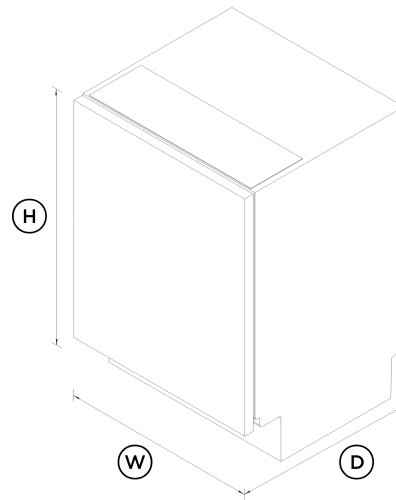
Designed to integrate seamlessly into your cabinetry, this dishwasher delivers superior wash performance and advanced drying.

- Customise with your own front panel and handle to match your kitchen cabinetry
- Eight wash programs from Heavy to Light, including Auto and 60min
- Dry+, Sanitise, Half Load and Intensive modifiers provide extra wash options

- Wi-Fi enabled and works with the Haier Smart Home app for remote control and notifications

DIMENSIONS

| | |
|--------|--------------|
| Height | 820 - 880 mm |
| Width | 597 mm |
| Depth | 554 mm |



FEATURES & BENEFITS

Seamless Integration

Customise your dishwasher with a panel and handle matching your cabinetry, for a seamless finish in your kitchen.

Advanced Drying

For consistently dry dishes, this dishwasher boasts an advanced drying system that combines fan-assisted drying with an automatic door opening at the cycle's end. By opening to release excess steam, the Auto Door Open Dry feature ensures your dishes emerge dry and ready for immediate use or storage.

A Reliable Clean

This dishwasher offers eight wash programs including Auto, which automatically senses the optimal wash settings for your dishes. The three-stage filtration system delivers a superior clean, while the rinse aid indicator reminds you to refill for beautifully clean dishes.

Customise Your Wash

The Half Load modifier is ideal for washing smaller loads, ensuring a quicker turnaround for your dishes. The Sanitise function provides extra protection, killing 99.999% of bacteria* in the final rinse, while the Dry+ modifier is perfect for drying plastic.

*Certified by CVC for eliminating *Helicobacter pylori*, H1N1 influenza virus, Poliovirus, *Escherichia coli*, and *Staphylococcus aureus*. Sterilisation data source: CVC report RCVC2024-0243.

Quiet Performer

Running at a very low decibel rating, this dishwasher does its job without making a fuss. The combination of clever technology and simple mechanics means greater reliability and superior wash performance, with minimal noise.

Efficient Performance

With a top efficiency rating of grade 1, this dishwasher delivers a powerful wash. Use the Eco wash program for optimal water and energy consumption, or choose when the cycle begins with Delay Start.

Flexible Loading

Designed to accommodate 16 place settings with ease, the adjustable rack options offer flexibility for various loads. This dishwasher comes complete with a cutlery tray ideal for smaller utensils, a height-adjustable middle rack, cup holders, and wine glass supports, ensuring it caters to your lifestyle.

SPECIFICATIONS

Accessories (included)

| | |
|----------------|------|
| Cutlery basket | • |
| Kickstrip | true |

Accessories (sold separately)

| | |
|--|-------------|
| Door panel black stainless steel | ADDW60PB |
| Door panel stainless steel | ADDW60PX |
| Handle kit Contemporary square fine, aluminium | AHD5DDDW60S |
| Handle kit Contemporary square fine, black | AHD5DDDW60B |

Capacity and loading

| | |
|--|---|
| Accommodates round plates up to (lower basket) | 325mm |
| Accommodates round plates up to (top basket) | 220mm (with cutlery tray), 280mm (cutlery tray removed) |
| Adjustable height, foldable cupracks | • |
| Easy lift adjustable upper basket | • |
| Fold down tines | • |
| Fold down wine racks | • |
| Full width cutlery/utensil tray | • |
| Place settings | 16 |

Wine glass supports with stemware grippers •

Consumption

| | |
|----------------|------|
| Cleaning Index | 1.18 |
| Drying Index | 1.2 |

Controls

| | |
|--|---|
| Energy saving delay start option of up to 24 hours | • |
| Floor light cycle feedback | • |
| Internal light | • |
| Internal wash selector | • |
| Intuitive capacitive touch controls | • |
| Keylock | • |
| Rinse aid indicator light | • |

Features

| | |
|-----------------------------------|------|
| Air curtain for bench protection | • |
| Aquastop | • |
| Auto Door Open Dry | • |
| Built-in water softener | • |
| Fan assisted drying | • |
| Flood protection | • |
| Fully independent spray arms | • |
| Half load option | • |
| Motor type | BLDC |
| Three-stage filtration system | • |
| Variable wash pressure technology | • |

Performance

| | |
|-----------------|--------|
| Noise emissions | 42 dBA |
|-----------------|--------|

Power requirements

| | |
|------------------|------------|
| Amperage | 10A |
| Supply frequency | 50Hz |
| Supply voltage | 220 - 240V |

Product dimensions

| | |
|--------|--------------|
| Depth | 554 mm |
| Height | 820 - 880 mm |
| Width | 597 mm |

Warranty

| | |
|------------------|--------|
| Parts and labour | 1 year |
|------------------|--------|



Wash Program Modifiers

| | |
|----------------|---|
| Dry + | • |
| Half load | • |
| Intensive | • |
| Sanitise | • |
| Wash modifiers | 4 |

Wash Programs

| | |
|--------|---|
| 60 min | • |
| Auto | • |

| | |
|---------------|---|
| Eco | • |
| Glassware | • |
| Heavy | • |
| Light | • |
| Medium | • |
| Rinse | • |
| Wash programs | 8 |

- [↓](#)  ZH
- [↓](#) User Guide Integrated Dishwasher EN
- [↓](#)  ZH

Where applicable:

All appliances use energy, and energy usage typically generates carbon emissions. **Fisher & Paykel Appliances' In-use Energy Carbon Emissions Estimate** indicates carbon emissions from a product's in-use energy. This is calculated either annually or per cycle, using the product's market-specific energy label energy consumption data multiplied by the carbon emissions factor for energy in your country or region.

Our In-use Energy Carbon Emissions Estimate is designed to assist customers in making informed purchasing decisions when comparing different Fisher & Paykel products. For example, a heat pump dryer typically has a lower In-use Energy Carbon Emissions Estimate than a vented dryer.

Water connection

| | |
|----------------|---|
| Water pressure | 30kPa - 1000 kPa |
| Water supply | 3/4" BSP (20mm) Connector Water Inlet Hose |

SKU 84735

The product dimensions and specifications in this page apply to the specific product and model. Under our policy of continuous improvement, these dimensions and specifications may change at any time. You should therefore check with Fisher & Paykel's Customer Care Centre to ensure this page correctly describes the model currently available. © Fisher & Paykel Appliances Ltd 2020

Other product downloads available at fisherpaykel.com

- [↓](#) 2D-DWG Integrated Dishwasher
- [↓](#) 2D-DXF Integrated Dishwasher
- [↓](#) Datasheet Integrated Dishwasher
- [↓](#) Energy & Water Label Integrated Dishwasher ZH
- [↓](#) Service & Warranty
- [↓](#) Installation Guide Built-Under Dishwasher