

FISHER & PAYKEL

INTEGRATED COLUMN

REFRIGERATOR & FREEZER

RS2484S, RS2484SH, RS3084S, RS3084SH

RS1884F, RS2484F & RS3084F

REFRIGERATOR-FREEZER

RS2484W & RS3084W

WINE CABINET

RS2484V

INSTALLATION GUIDE

US CA

CONTENTS

Safety and warnings	4	Appliance preparation	31
Integrated refrigerator & freezer	5	Door panel preparation — Stainless steel panel	33
Integrated refrigerator-freezer	6	Door panel preparation — Custom panel	34
Integrated wine cabinet	6	Door panel preparation — Wine cabinet only	35
Supplied parts	7	Power and water supply connection	37
Required parts	8	Single installation — Align appliance into cabinetry	38
Door panel kit	9	Single installation — Secure appliance into cabinetry	40
Handle kit	10	Door panel installation	41
Hinge change kit	11	Toe kick installation	43
Wine display accessories	11	Grilles installation	46
Tools	12	Carbon filter installation	47
Product dimensions	13	Air flow divider installation	47
Cabinetry dimensions — Single installation	14	Door covers & Trims installation	48
Cabinetry dimensions — Multiple installation	15	Top trim & hinge pocket covers installation	49
Stainless steel Door panel dimensions — Single installation	16	Multiple installation — Appliance preparation	50
Custom Door panel dimensions — Single installation	17	Multiple installation — Join products	51
Custom Door panel dimensions — Multiple installation	18	Multiple installation — Roll into cabinetry	52
Toe kick dimensions	19	Multiple installation — Level and secure	53
Installation options	20	Grilles installation	54
Door clearance	21	Multiple installation — Top trim & hinge pocket covers installation	55
Drawer clearance	21	Multiple installation — Install trims	56
Electrical and plumbing	22	Wine display for wine cabinet (optional)	57
Custom door panel install dimensions	23	Change the door hinges (optional)	58
Before installation	28	Final checklist	63
Cavity preparation	30		

⚠ WARNING!



Electric Shock Hazard

Failure to follow this advice may result in electrical shock or death.

- Read and follow the safety and warnings outlined in this User guide before operating this appliance.

⚠ WARNING!



Cut Hazard

Failure to use caution could result in injury.

- Take care: panel edges may be sharp.
- Do not put fingers in the drawers when closing.

⚠ WARNING!



Tip Hazard

- This product may tip until it is fully installed. Keep children away and take care. Failure to follow this advice may result in injury.
- This appliance is top-heavy and must be secured to prevent the possibility of tipping forward.

To ensure that the appliance is stable under all loading conditions:

- The anti-tip bracket and fittings supplied must be installed by a professional installer according to the installation steps in this guide.

READ AND SAVE THIS GUIDE

WARNING!

To avoid hazard, follow these instructions carefully before installing or using this appliance.

- Please make this information available to the persons installing the appliance.
- Assume all electrical parts are live.
- Disconnect power supply before servicing and installation.

BEFORE INSTALLATION

- The appliance has front and rear rollers to easily move forward and backward. Do not move the appliance sideways to avoid damaging the rollers or the floor covering/surface.
- Ensure your appliance is not exposed to any heat generating appliance eg cooktop, oven or dishwasher.
- The appliance must be installed by a qualified installer, or Fisher and Paykel trained and supported service technician to avoid faulty electrical and plumbing connections.
- All connections for electrical power and grounding must comply with local codes and ordinances and be made by licensed personnel when required.
- Avoid installation of the appliance/s under a ground fault circuit interrupter (GFCI).
- Ensure the appliance is installed properly. Improper installation that results in appliance failure is not covered under the appliance warranty.

UNPACKING

- The appliance is heavy and requires at least two persons to move and install.
- Remove the installation kit (internal box) and trims kit (external box) while the product is still on the pallet.
- Avoid scratching the surface of your appliance when moving or installing.
- Keep the appliance stable and door closed to prevent tipping over when moving to the installation location.
- Ensure the feet of the appliance are retracted before moving to the installation location.
- If the appliance is damaged, contact your Fisher and Paykel dealer.
- Ensure all components and accessories are complete. Refer to 'Before installation'.
- Record the default Wifi password, and the model and registration numbers for future servicing or repair of your appliance.

ELECTRICAL/PLUMBING

- Alternatively, electrical and water supply connections for these appliances can be located in an adjacent area or unit (cabinet or cupboard) that are easily accessible in case of repair or disconnection.
- Ensure an isolating switch is available if electrical connection is not accessible.

SAFETY AND WARNINGS

INSTALLATION

- The anti-tip bracket and fittings supplied must be fitted to the wall of the finished enclosure to withstand a 220lbs (100kg) load.
- Ensure that the anti-tip bracket is installed correctly to prevent the possibility of the appliance tipping forward when the door is open.
- Ensure the door of the appliance is closed when rolling into the cabinetry.
- Ensure the power cord is not run over or damaged when rolling the product into the cabinetry.
- For flush installation, ensure the door panels are installed flush with cabinetry front surface. Ensure the appliance is properly centred.
- All four corners of the appliance must be supported firmly on the floor to eliminate any movement. Installing the appliance on a soft, uneven, or not level floor may cause twisting and poor door sealing.
- Use low speed, low torque setting when using a powered driver for the screws when fixing or aligning the product.
- Open the appliance door to remove the alignment brackets from both sides of the appliance, and then re-tighten the screws.

Stainless steel panel

- Protect the finish of the Fisher and Paykel Stainless Steel door panels from any scratch or damage.
- Remove the blue tape attached to inner edges of the door panels after the handles are installed.
- We recommend to load the shelves in the appliance door with weights to ensure an accurate door panel gap width. Load 33lbs (15kg) for 24" models, and 44lbs (20kg) for 30" models.

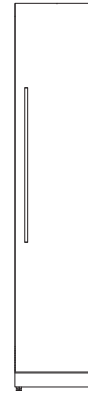
Custom panel

- If using Custom door panels, ensure they are prepared as per 'Custom door panel install dimensions' section.
- The thickness of the custom door panel can vary as long as the screws do not penetrate beyond the full depth of the door panel, and as long as the overall weight of door panel does not exceed the allowable weight. Refer to 'Door panel dimensions' for maximum door panel weight of your product.
- Do not place the handle holes in marked areas to avoid clashing with panel attachment brackets.
- Minimum panel thickness where screw hole is drilled must be 5/8" 16mm.

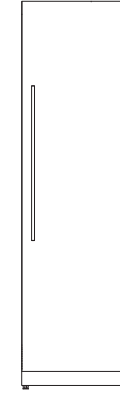
Changing the door hinge (optional)

- Door hinges are interchangeable for each model. A hinge change kit is available and can be purchased separately if you prefer to change from 'right hinge door' to 'left hinge door' or vice versa.

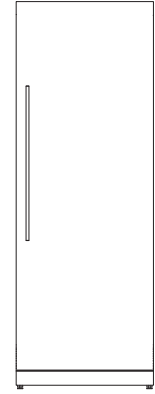
INTEGRATED REFRIGERATOR & FREEZER



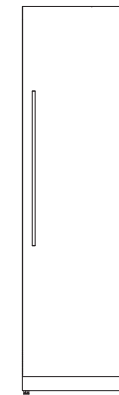
18" Freezer
RS1881FLJK*
& RS1884FRJK*



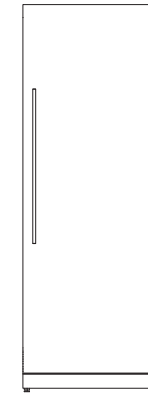
24" Freezer
RS2484FLJK*
& RS2484FRJK*



30" Freezer
RS3084FLJK*
& RS3084FRJK*



24" Refrigerator
RS2484SLK*, RS2484SLHK*,
RS2484SRHK* & RS2484SRK*



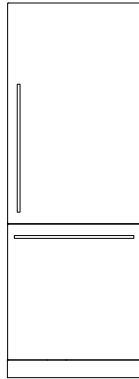
30" Refrigerator
RS3084SLK*, RS3084SLHK*,
RS3084SRHK* & RS3084SR*

Left or Right hinged door available for each model.

INTEGRATED REFRIGERATOR-FREEZER

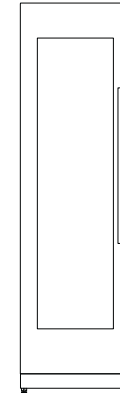


24" Refrigerator-Freezer
RS2484WLUK* & RS2484WRUK*



30" Refrigerator-Freezer
RS3084WLUK* & RS3084WRUK*

INTEGRATED WINE CABINET



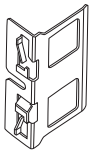
24" Wine Cabinet
RS2484VL2K* & RS2484VR2K*

Left or Right hinged door available for each model.

SUPPLIED PARTS

INSTALLATION KIT (INTERNAL BOX)

Door panel attachment kit



Side bracket (12)



Bracket slider (12)

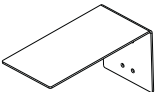


Side spacer bracket (12)



M5x12 Cross-head screw (44)

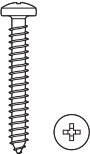
Anti-tip bracket assembly



Anti-tip bracket (1)

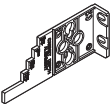


Masonry plug (5)

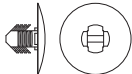


10-12x35mm crosshead screw (5)

Install fasteners kit



Depth alignment gauge (4)

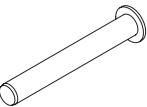


Barbed plug (2)



8Gx16 Countersunk screw (7)

Miscellaneous parts



Hinge limiting pin (3)



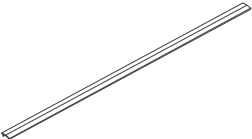
Air toe kick seal (1)



Flow divider cap (1)

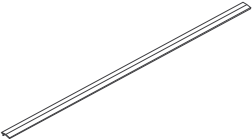
TRIMS INSTALL KIT (EXTERNAL BOX)

Refrigerator or Freezer



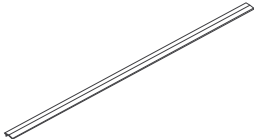
Door panel side cover (2)

Wine Cabinet



Door panel side cover (2)

Refrigerator-Freezer



Upper door panel side cover (2)



Lower door panel side cover (2)



Drawer top trim (1)

SUPPLIED PARTS

MISCELLANEOUS ITEMS (MI) PACK



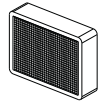
Installation guide



Service & Warranty



User guide

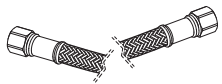


Air carbon filters (2)
#862755
For Wine Cabinet only

WATER CONNECTION KIT

Supplied in models with Ice & Water function only
(RS2484SH, RS3084SH, RS1884F, RS2484F, RS3084F, RS2484W & RS3084W)

Water filter comes preinstalled on this product.

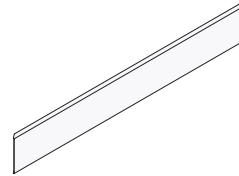


1/4" (6mm) Stainless
steel braided hose with
7/16-24 UNS thread (1)

REQUIRED PARTS

STAINLESS STEEL TOE KICK PANEL

Not supplied and can be purchased separately through an authorised Fisher and Paykel dealer. Visit fisherpaykel.com for more information.



Toe kick panel (1)

Standard toe kick height is 4" (102mm) for standard stainless steel door panel.

For Custom door panel installation, a toe kick 2-6" (50-152mm) must be fitted and adjusted accordingly.

An extra bottom grille is required when you use 2" (50mm) toe kick height.

You can purchase the extra bottom grille (847542P) online at fisherpaykel.com.

INSTALL JOINER KIT

Used for combined installation of multiple appliances. Supplied in selected appliances only (Freezer and Wine Cabinets). For other models, the joiner kit (AJ-RS84LR) can be purchased separately through an authorised Fisher and Paykel dealer. Visit fisherpaykel.com for more information.

Joiner fastener kit



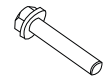
Joiner Sleeve (2)



Screw WSH M6 (1)



M6 Hex Nut (1)



Bolt M5 HEX (2)



Flange Joiner Trim (2)

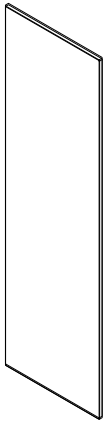


Aluminium center trim (1)

DOOR PANEL KIT

REFRIGERATOR OR FREEZER

Stainless steel door panel kit



	RH	LH
RS18	RD1884R4D	RD1884L4D
RS24	RD2484R4D	RD2484L4D
RS30	RD3084R4D	RD3084L4D



8Gx16 Mush washer screw (32)

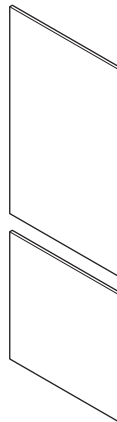
Custom door panel



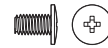
M5x12 Cross-head screw (44)
Included in Installation kit

REFRIGERATOR-FREEZER

Stainless steel door panel kit



	RH	LH
RS24	RD2484WRD	RD2484WLD
RS30	RD3084WRD	RD3084WLD



8Gx16 Mush washer screw (48)

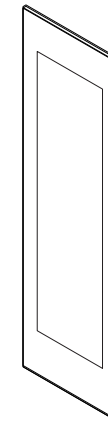
Custom door panel



M5x12 Cross-head screw (44)
Included in Installation kit

WINE CABINET

Stainless steel door panel kit



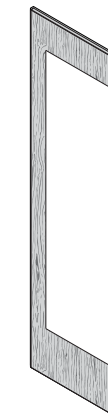
	RH	LH
RS24	RD2484VR4	RD2484VL4



8Gx16 Mush washer screw (32)

Custom door panel

The Custom door panel must leave the glass pane visible. A full custom panel sheathing over the glass pane does not meet the specifications of the Wine Cabinet.



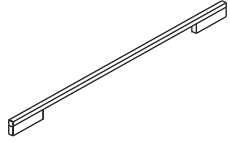
M5x12 Cross-head screw (44)
Included in Installation kit

Custom door panels must be supplied by the customer to match their cabinetry. Stainless steel door panels are not supplied and must be purchased separately through an authorised Fisher and Paykel dealer. Take note of the part numbers above to ensure you are ordering the correct door panel set. Visit fisherpaykel.com for more information.

HANDLE KIT

CONTEMPORARY

Aluminium/Black square fine handle set



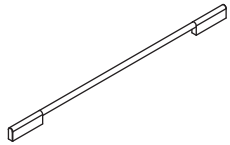
Square fine handle
(1)



M5x25 Hex screw
(4)

MODEL	DESCRIPTION
REFRIGERATOR/FREEZER WINE CABINET	AHD5-RDSF
24" REFRIGERATOR-FREEZER	AHD5RD2484W
30" REFRIGERATOR-FREEZER	AHD5RD3084W

Aluminium round handle set



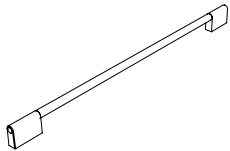
Round handle
(1)



M5x25 Hex screw
(4)

MODEL	DESCRIPTION
REFRIGERATOR/FREEZER WINE CABINET	AHD5-RDSF
24" REFRIGERATOR-FREEZER	AHD5RD2484W
30" REFRIGERATOR-FREEZER	AHD5RD3084W

Classic handle set

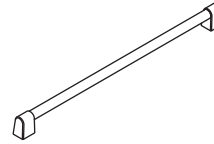


M5x25 Hex screw
(4)

MODEL	DESCRIPTION
REFRIGERATOR/FREEZER WINE CABINET	AHCLRDSF
24" REFRIGERATOR-FREEZER	AHCLR2484W
30" REFRIGERATOR-FREEZER	AHCLR3084W

PROFESSIONAL

Stainless steel round flush handle set



Round flush handle
(1)





M5x25 Hex screw
(4)

MODEL	DESCRIPTION
REFRIGERATOR/FREEZER WINE CABINET	AHP3-RDSF
24" REFRIGERATOR-FREEZER	AHP3-RD2484W
30" REFRIGERATOR-FREEZER	AHP3-RD3084W

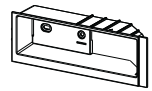
The handle kit is not supplied and must be purchased separately through an authorised Fisher and Paykel dealer. Visit fisherpaykel.com for more information. For Refrigerator-Freezer models, each handle kit includes two (2x) handles for door and drawer panels, and M5x25 hex screws (8x).

HINGE CHANGE KIT

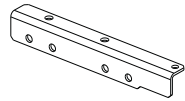
Not supplied and must be purchased separately through an authorised Fisher and Paykel dealer. Visit fisherpaykel.com for more information. Select among the hinge change kit options below:

HINGE KIT	REFRIGERATOR OR FREEZER			WINE CABINET	REFRIGERATOR-FREEZER	
	18"	24"	30"	24"	24"	30"
 Left to Right hinge	848186	848188	848190	864757P	848184P	848184P
 Right to Left hinge	848185	848187	848189	864759P	848183P	848183P

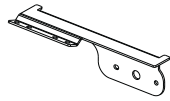
Left to Right hinge kit



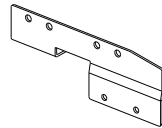
Top hinge pocket
RH (2)



K05 bottom adaptor*
bracket RH (1)

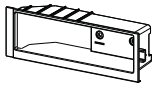


Top alcove bracket
RH (2)

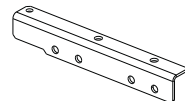


K05 top adaptor*
bracket RH (1)

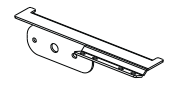
Right to Left hinge kit



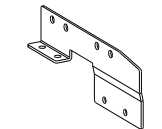
Top hinge pocket
LH (2)



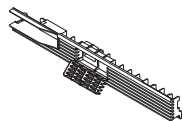
K05 bottom adaptor*
bracket LH (1)



Top alcove bracket
LH (2)



K05 top adaptor*
bracket LH (1)



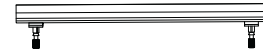
Top grille (1)
Supplied in Hinge change kit
for Refrigerator & Freezer and
Wine Cabinet only.

*Top and bottom adaptor brackets for Wine Cabinet different from illustration.

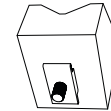
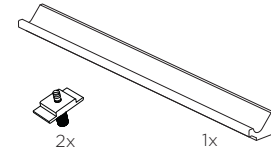
WINE DISPLAY ACCESSORIES

Accessories are not supplied with the appliance. A wine display kit and a label kit are sold separately and can be purchased online at fisherpaykel.com.

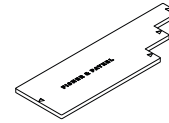
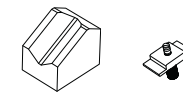
Wine display kit



Handle assembly (1)

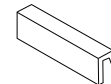


Cradle assembly (4)



Spacer (1)

Wine label kit



Label (14)

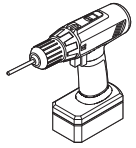


Pencil (1)

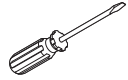
TOOLS

Required tools

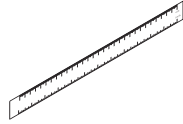
Not supplied and must be provided by the installer.



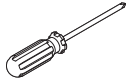
Powered driver



Flathead screwdriver



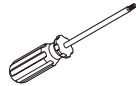
Ruler



Cross-head screwdriver



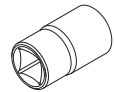
Cutter (1)



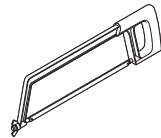
T20 star-head screwdriver
(Used for changing hinge)



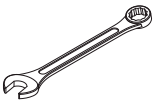
5/16" (8mm) socket wrench
(Used for joiner bolts)



1/2" (13mm) socket wrench
(Used for drawer panel of Refrigerator-Freezer model)



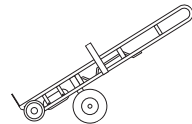
Hacksaw
(For cutting air flow divider to length)



3/8" (10mm) spanner
(Used for multiple installation)



1/8" (3mm) allen key
(Used for multiple installation)



Hand truck

Supplied tools



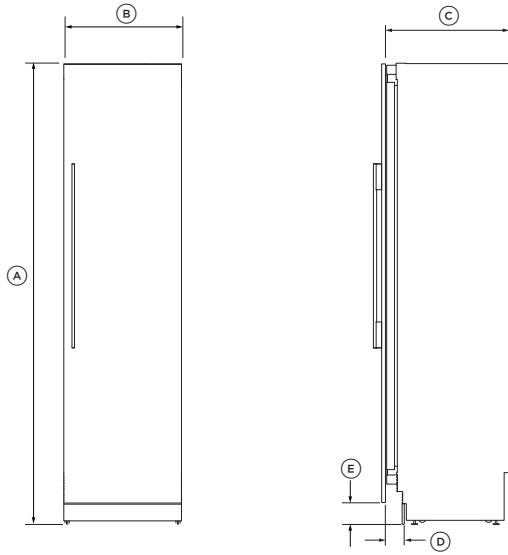
Spanner



M4 hex key

PRODUCT DIMENSIONS

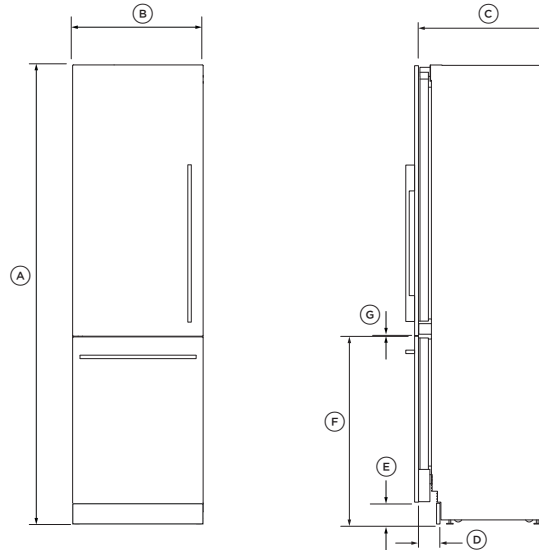
REFRIGERATOR OR FREEZER



FRONT

PROFILE

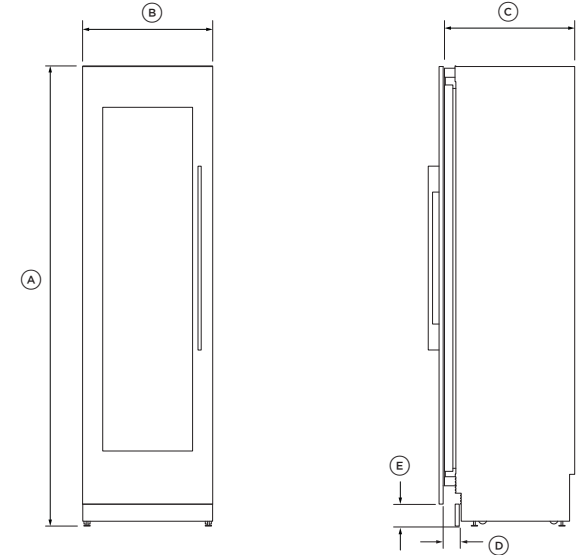
REFRIGERATOR-FREEZER



FRONT

PROFILE

WINE CABINET



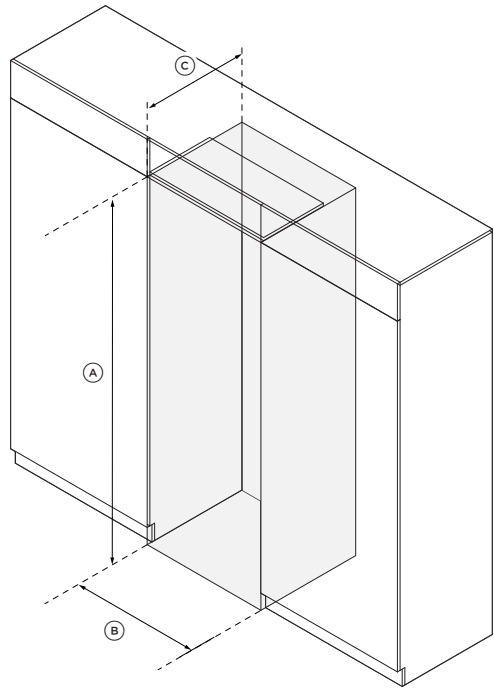
FRONT

PROFILE

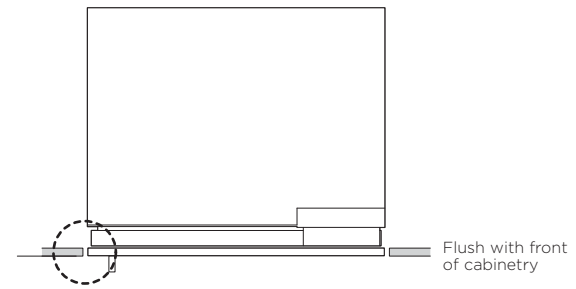
PRODUCT DIMENSIONS	18"		24"		30"	
	IN	MM	IN	MM	IN	MM
Ⓐ Overall height	84	2134	84	2134	84	2134
Ⓑ Overall width	17 3/4	451	23 3/4	603	29 3/4	756
Ⓒ Overall depth (excluding door panel)	24	610	24	610	24	610
Ⓓ Depth of toe kick (measured from back of door panel)	2 7/8-4	73-102	2 7/8-4	73-102	2 7/8-4	73-102
Ⓔ Height from floor to bottom of Stainless steel door/drawer panel	4	102	4	102	4	102
Ⓕ Height from floor to top of drawer panel (Refrigerator-Freezer only)	34 7/16	874	34 7/16	874	34 7/16	874
Ⓖ Gap between door and drawer panels (Refrigerator-Freezer only)	—	—	1/8	3	1/8	3
PRODUCT WEIGHT (WITHOUT PACKAGING)	LB	KG	LB	KG	LB	KG
Refrigerator or Freezer	223	101	258	117	295	134
Refrigerator-Freezer	—	—	313	142	359	163
Wine cabinet	—	—	335	152	—	—

18" model for Freezer only. Wine Cabinet available in 24" only.

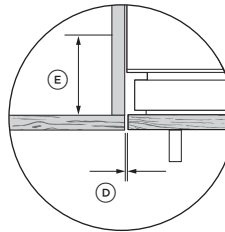
CABINETY DIMENSIONS – SINGLE INSTALLATION



ISOMETRIC

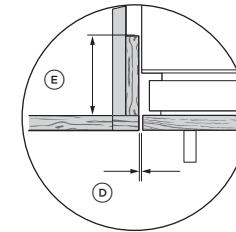


PLAN



UNFRAMED

Aligns appliance with cabinetry



FRAMED

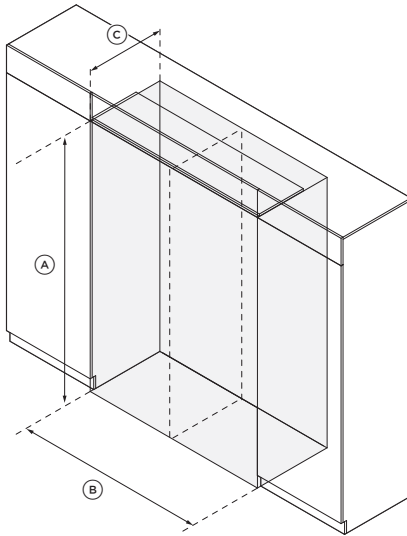
Aligns appliance with frame of cabinetry

CAVITY DIMENSIONS	18"		24"		30"	
	IN	MM	IN	MM	IN	MM
(A) Overall height of cavity	84	2134	84	2134	84	2134
(B) Overall width of cavity	18	457	24	610	24	610
(C) Minimum overall depth of cavity*	25	635	25	635	25	635
(D) Minimum gap from edge of door panel to cabinetry	1/8	3	1/8	3	1/8	3
(E) Minimum required finished return	4	102	4	102	4	102

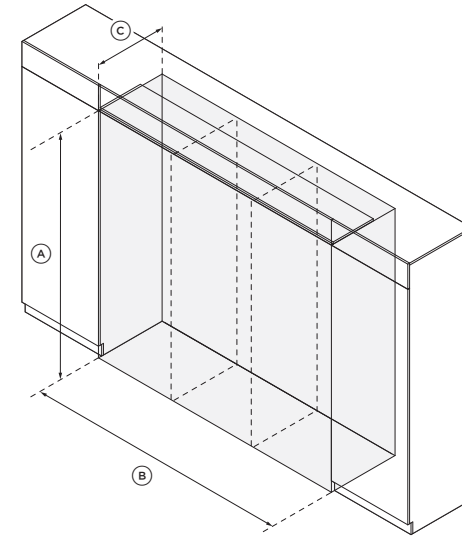
*Assumes a door panel thickness of 3/4" (19mm).

CABINETRY DIMENSIONS – MULTIPLE INSTALLATION

DUAL INSTALL



TRIPLE INSTALL



DUAL INSTALL

CAVITY DIMENSIONS	42"		48"		54"		60"	
	IN	MM	IN	MM	IN	MM	IN	MM
Ⓐ Overall height of cavity	84	2134	84	2134	84	2134	84	2134
Ⓑ Overall width of cavity	42	1067	48	1220	54	1372	60	1524
Ⓒ Minimum overall depth of cavity*	25	635	25	635	25	635	25	635

*Assumes a door panel thickness of 3/4" (19mm).

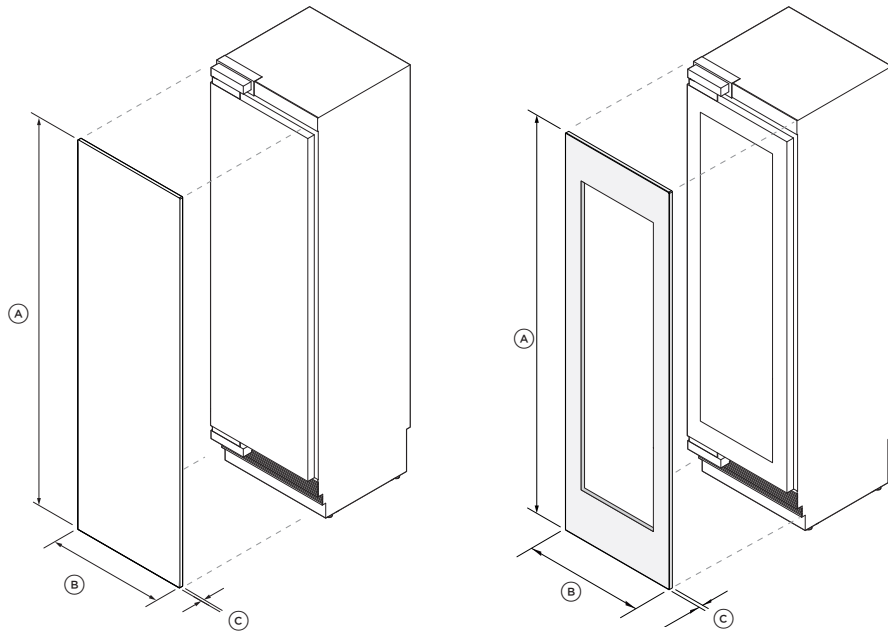
TRIPLE INSTALL

CAVITY DIMENSIONS	66"		72"		78"		84"		90"	
	IN	MM	IN	MM	IN	MM	IN	MM	IN	MM
Ⓐ Overall height of cavity	84	2134	84	2134	84	2134	84	2134	84	2134
Ⓑ Overall width of cavity	66	1677	72	1829	78	1982	84	2134	90	2286
Ⓒ Minimum overall depth of cavity*	25	635	25	635	25	635	25	635	25	635

*Assumes a door panel thickness of 3/4" (19mm).

STAINLESS STEEL DOOR PANEL DIMENSIONS — SINGLE INSTALLATION

REFRIGERATOR OR FREEZER / WINE CABINET

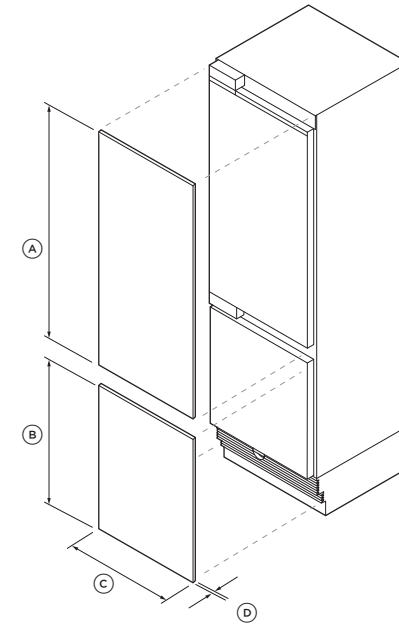


DOOR PANEL DIMENSIONS	18"		24"		30"	
	IN	MM	IN	MM	IN	MM
Ⓐ Height of door panel	79 7/8	2029	79 7/8	2029	79 7/8	2029
Ⓒ Width of door panel	17 3/4	451	23 3/4	603	29 3/4	756
Ⓒ Depth of door panel*	3/4	19	3/4	19	3/4	19

*Excluding handle

DOOR PANEL WEIGHT	18"		24"		30"	
	LB	KG	LB	KG	LB	KG
Weight of Refrigerator or Freezer door panel	44	20	55	25	66	30
Weight of Wine cabinet door panel	—	—	18	8	—	—

REFRIGERATOR-FREEZER



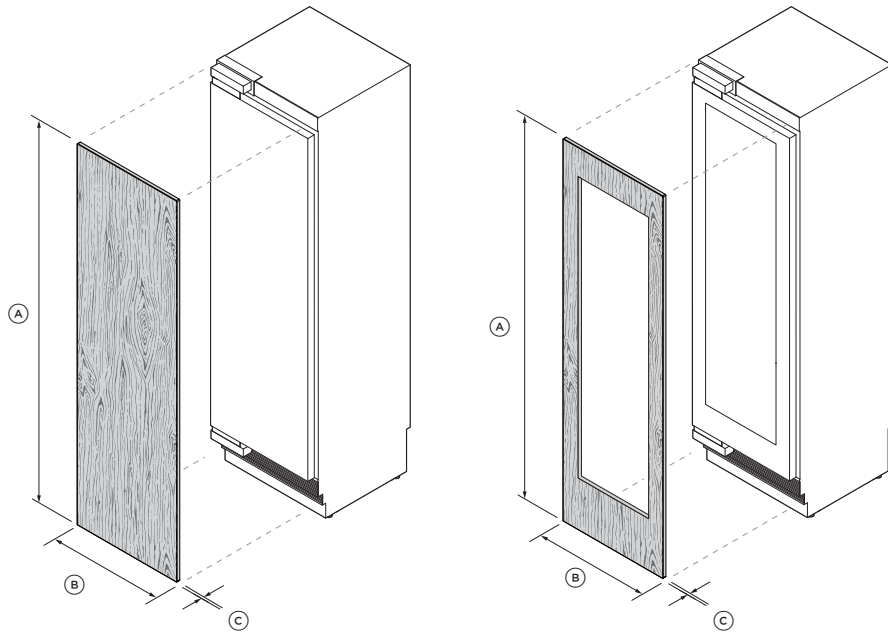
DOOR PANEL DIMENSIONS	24"		30"	
	IN	MM	IN	MM
Ⓐ Height of top door panel	49 3/8	1254	49 3/8	1254
Ⓑ Height of bottom drawer panel	30 3/8	772	30 3/8	772
Ⓒ Width of door panel	23 3/4	603	29 3/4	756
Ⓓ Depth of door panel*	3/4	19	3/4	19

*Excluding handle

DOOR PANEL WEIGHT	24"		30"	
	LB	KG	LB	KG
Weight of top door panel	20	9	22	10
Weight of bottom drawer panel	13	6	15	7

CUSTOM DOOR PANEL DIMENSIONS – SINGLE INSTALLATION

REFRIGERATOR OR FREEZER / WINE CABINET

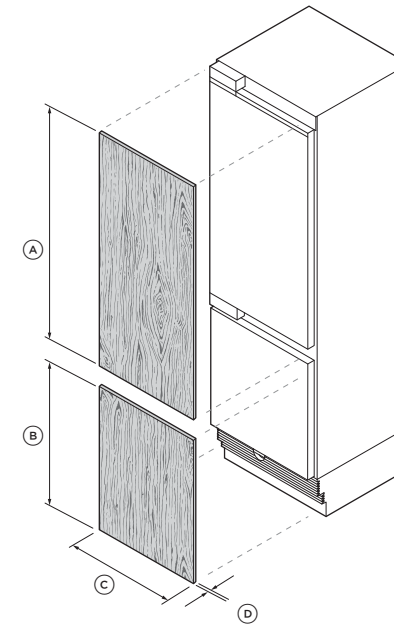


DOOR PANEL DIMENSIONS	18"		24"		30"	
	IN	MM	IN	MM	IN	MM
Ⓐ Height of door panel	77 7/8 - 81 7/8	1978- 2080	77 7/8 - 81 7/8	1978- 2080	77 7/8 - 81 7/8	1978- 2080
Ⓒ Width of door panel	17 3/4	451	23 3/4	603	29 3/4	756
Ⓒ Depth of door panel*	min 5/8 max 1	min 16- max 25	min 5/8 max 1	min 16- max 25	min 5/8 max 1	min 16- max 25

*Excluding handle

DOOR PANEL WEIGHT	18"		24"		30"	
	LB	KG	LB	KG	LB	KG
Weight of Refrigerator or Freezer door panel	max 44	max 20	max 55	max 25	max 66	max 30
Weight of Wine cabinet door panel	—	—	max 55	max 25	—	—

REFRIGERATOR-FREEZER



DOOR PANEL DIMENSIONS	24"		30"	
	IN	MM	IN	MM
Ⓐ Height of top door panel	49 3/8	1254	49 3/8	1254
Ⓑ Height of bottom drawer panel	28 3/8 - 32 3/8	721- 822	28 3/8 - 32 3/8	721- 822
Ⓒ Width of door panel	23 3/4	603	29 3/4	756
Ⓓ Depth of door panel*	min 5/8 max 1	min 16- max 25	min 5/8 max 1	min 16- max 25

*Excluding handle

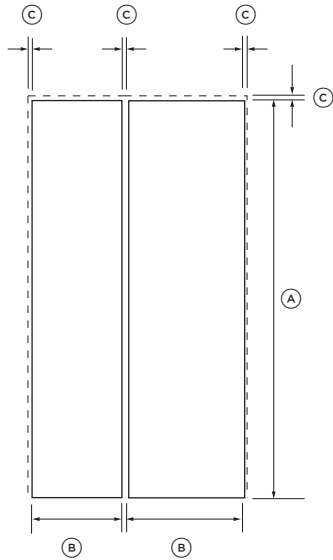
DOOR PANEL WEIGHT	24"		30"	
	LB	KG	LB	KG
Weight of top door panel	max 33	max 15	max 40	max 18
Weight of bottom drawer panel	max 20	max 9	max 24	max 11

For Wine cabinet, the Custom door panel must leave the glass pane visible. A full custom panel sheathing over the glass pane does not meet the specifications of this appliance. For all models, maximum panel weight must not be exceeded.

CUSTOM DOOR PANEL DIMENSIONS – MULTIPLE INSTALLATION

DUAL INSTALL

The illustrations below are examples of custom door panels of different combinations for dual installation. Minimum gaps of 1/8" (3mm) must be retained between door panel side edges and cabinetry regardless of door panel widths.

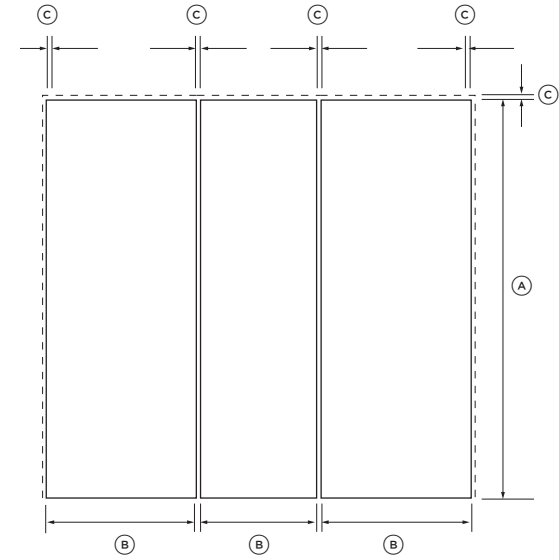


DIMENSIONS	18"		24"		30"	
	IN	MM	IN	MM	IN	MM
Ⓐ Height of door panel	79 7/8	2029	79 7/8	2029	79 7/8	2029
Ⓒ Width of door panel	17 13/16	452	23 13/16	605	29 13/16	757
Ⓒ Minimum clearance between door panels and cabinetry	1/8	3	1/8	3	1/8	3

*Excluding handle

TRIPLE INSTALL

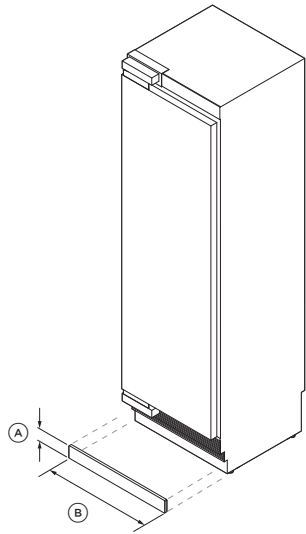
The illustrations below are examples of custom door panels of different combinations for triple installation. Minimum gaps of 1/8" (3mm) must be retained between door panel side edges and cabinetry regardless of door panel widths.



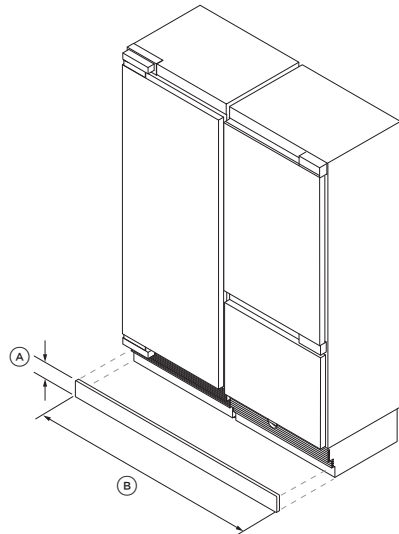
DIMENSIONS	18"		24"		30"	
	IN	MM	IN	MM	IN	MM
Ⓐ Height of door panel	79 7/8	2029	79 7/8	2029	79 7/8	2029
Ⓒ Width of door panel	17 13/16	454	23 13/16	605	29 13/16	757
Ⓒ Minimum clearance between door panels and cabinetry	1/8	3	1/8	3	1/8	3

*Excluding handle

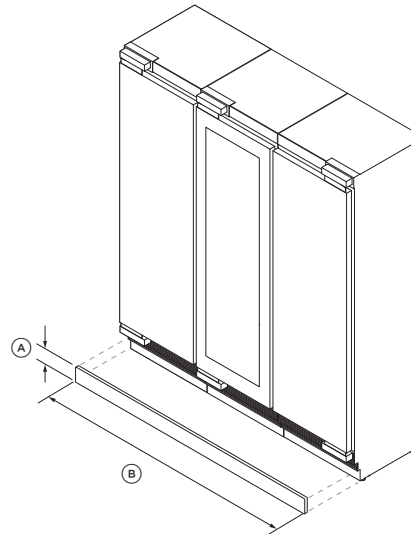
TOE KICK DIMENSIONS



SINGLE INSTALL

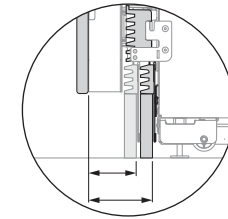


DUAL INSTALL

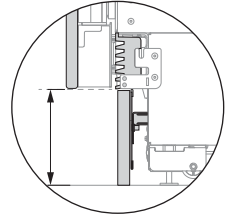


TRIPLE INSTALL

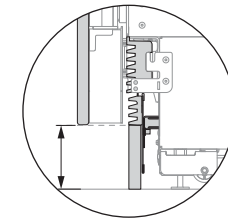
Custom toe kick options



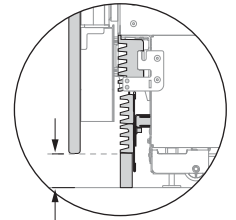
2 7/8" - 4" (73 - 102mm) toe kick clearance measured from rear of door panel



4" (102mm) toe kick height



6" (152mm) toe kick height



2" (51mm) toe kick height (with extra lower grille attached)

SINGLE INSTALL

	18"		24"		30"	
	IN	MM	IN	MM	IN	MM
Ⓐ Height of toe kick*	4	102	4	102	4	102
Ⓑ Width of toe kick	17 7/8	454	23 7/8	606	29 7/8	759

DUAL INSTALL

	36"		42"		48"		54"		60"	
	IN	MM	IN	MM	IN	MM	IN	MM	IN	MM
Ⓐ Height of toe kick*	2-6	50-152	2-6	50-152	2-6	50-152	2-6	50-152	2-6	50-152
Ⓑ Width of toe kick	35 7/8	912	41 7/8	1064	47 7/8	1216	53 7/8	1368	59 7/8	1521

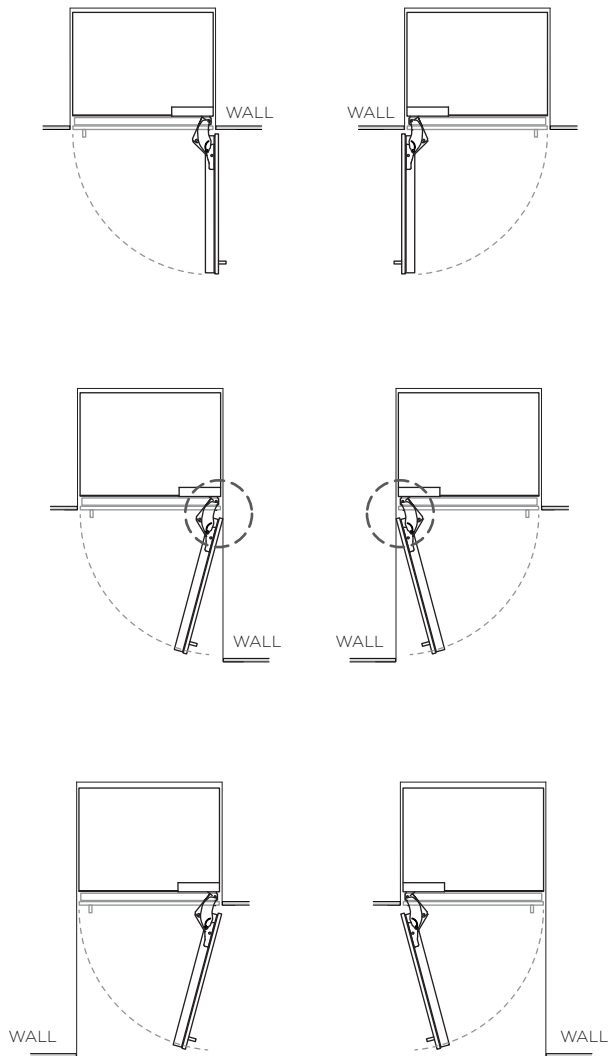
TRIPLE INSTALL

	66"		72"		78"		84"	
	IN	MM	IN	MM	IN	MM	IN	MM
Ⓐ Height of toe kick*	2-6	50-152	2-6	50-152	2-6	50-152	2-6	50-152
Ⓑ Width of toe kick	65 7/8	1674	71 7/8	1826	78	2131	83 7/8	2283

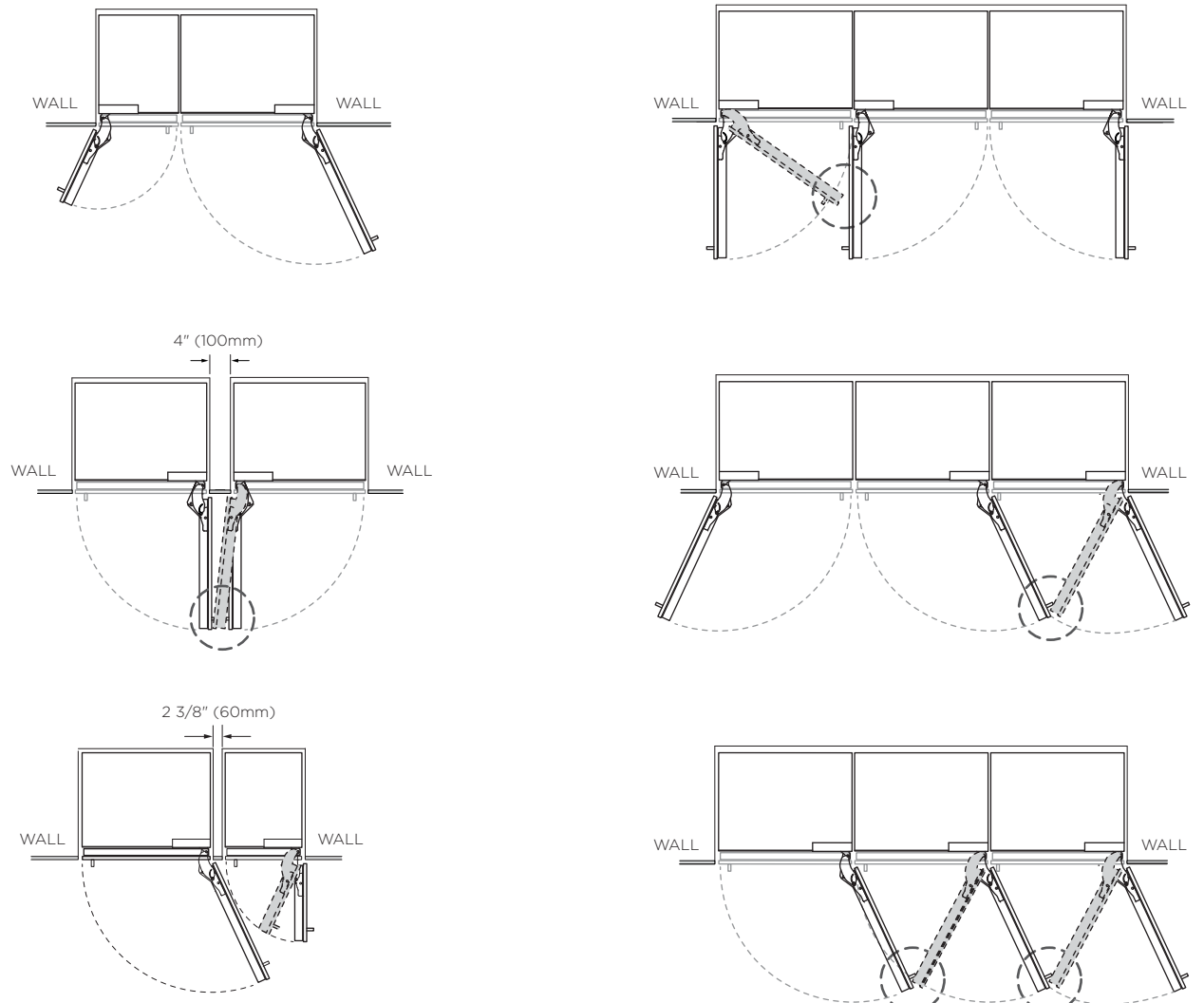
*Standard toe kick height of toe kick is 4" (102mm) for any install options.

INSTALLATION OPTIONS

SINGLE INSTALL

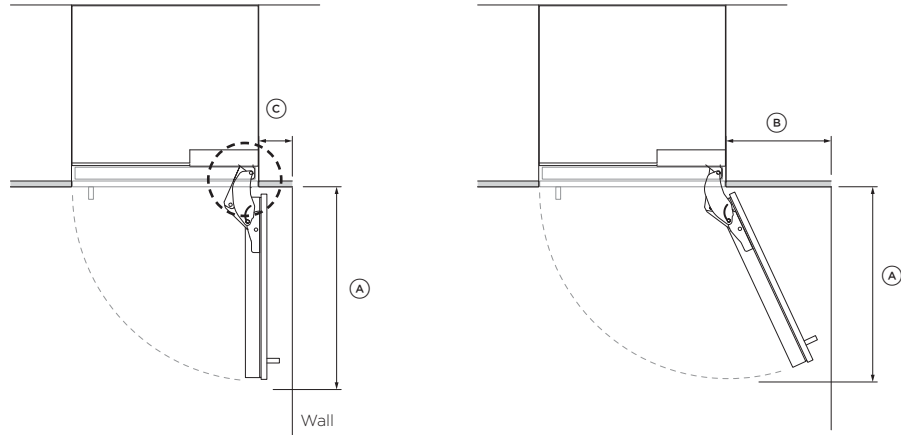


MULTIPLE INSTALL



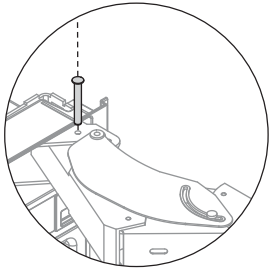
The illustrations above show acceptable installation options with reference to the door opening range and partition (optional). Be aware of clashing (circled) of doors or handles when opening at the same time. If installing a partition between the appliances, ensure there is enough clearance to avoid doors/handles from interfering with each other when opening or closing. If necessary, use a hinge limiting pin to restrict door opening rotation to 90°. Refer to 'Door clearance' for more information.

DOOR CLEARANCE



LIMITED INTERNAL ACCESS

FULL INTERNAL ACCESS



Insert hinge limiting pin

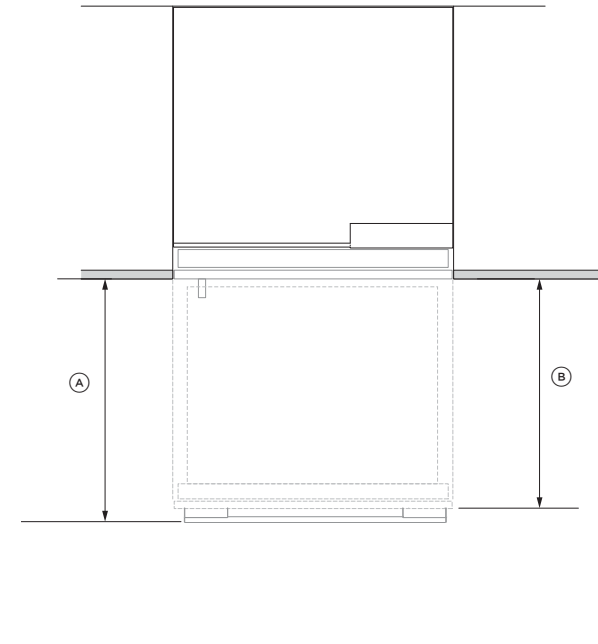
Before pushing the appliance into the cabinetry, insert the supplied hinge limiting pin into the borehole of the top and bottom door hinges. The hinge limiting pin limits door swing to 90°.

For Refrigerator-Freezer models, the hinge limiting pins are inserted into the boreholes of the top and bottom hinges of top door.

DIMENSIONS	18"		24"		30"	
	IN	MM	IN	MM	IN	MM
Ⓐ Width of door (90° open) measured from front of door	20	508	26	660	32	813
Ⓑ Minimum door clearance to adjacent wall* (115° – full internal access)	11 1/2	292	14	356	16 1/2	419
Ⓒ Minimum door clearance* to adjacent wall* (90° – reduced internal access)	4 5/16	110	4 5/16	110	4 5/16	110

DRAWER CLEARANCE

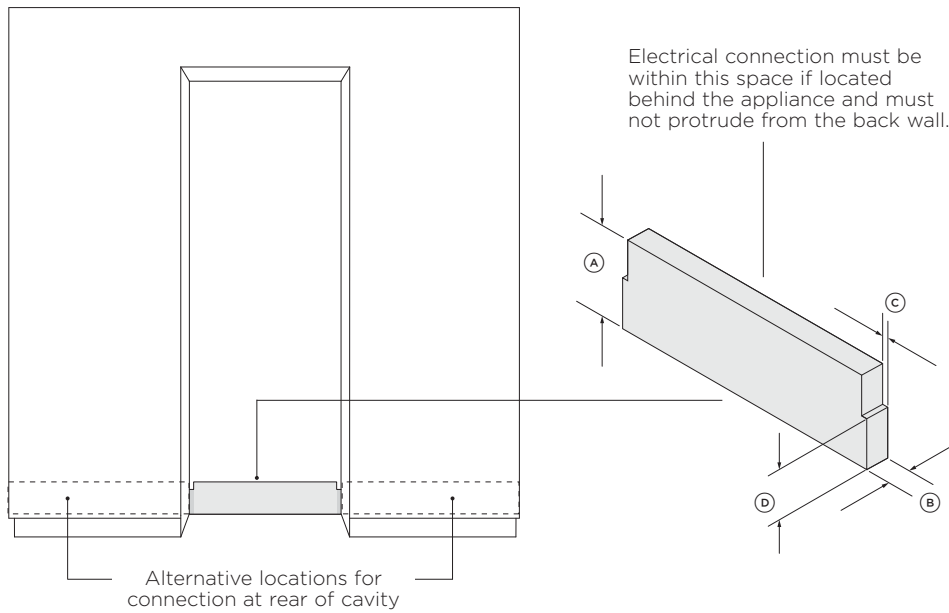
These dimensions apply to Refrigerator-Freezer models only.



DIMENSIONS	24"		30"	
	IN	MM	IN	MM
Ⓐ Maximum drawer extension when open (including handle)*	18 1/8	461	18 1/8	461
Ⓑ Maximum drawer extension when open (excluding handle)	16 9/16	420	16 9/16	420

*Assumes handle depth of 1 5/8" (41mm).

ELECTRICAL AND PLUMBING



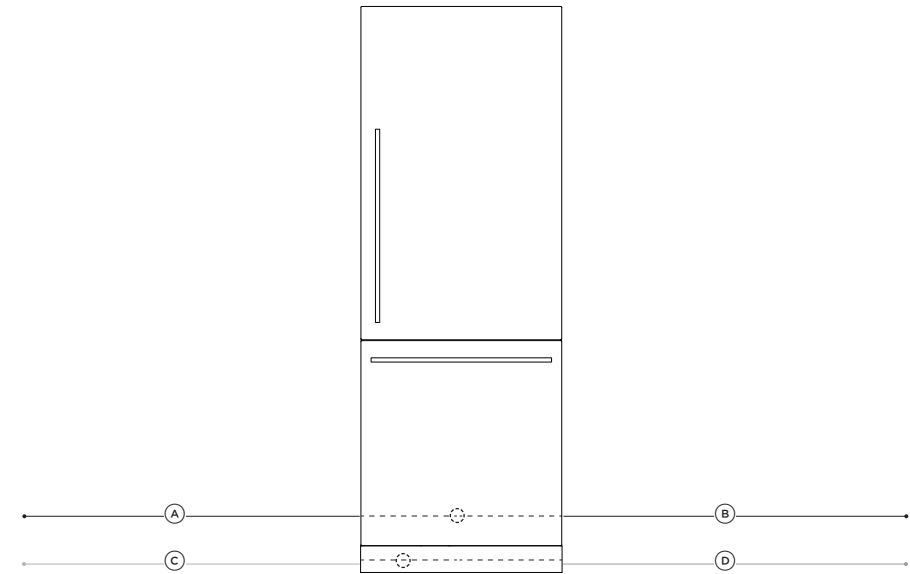
SUPPLY AREA DIMENSIONS	IN	MM
Ⓐ Overall height of supply area	9	229
Ⓑ Overall depth of supply area	1	25
Ⓒ Width of notch in supply area (both sides)	1/2	13
Ⓓ Height of sides of supply area (both sides)	5	127

ELECTRICAL SPECIFICATIONS

Supply	115 VAC, 60 Hz
Service	10 amp circuit
Receptacle	3-prong grounding-type

PLUMBING SPECIFICATIONS

Supply	1/2" (12.7mm) BSP Stainless steel braided hose with adaptor
Pressure	22psi (min 151kPa)–120psi (max 827kPa) @ 68°F (20°C)

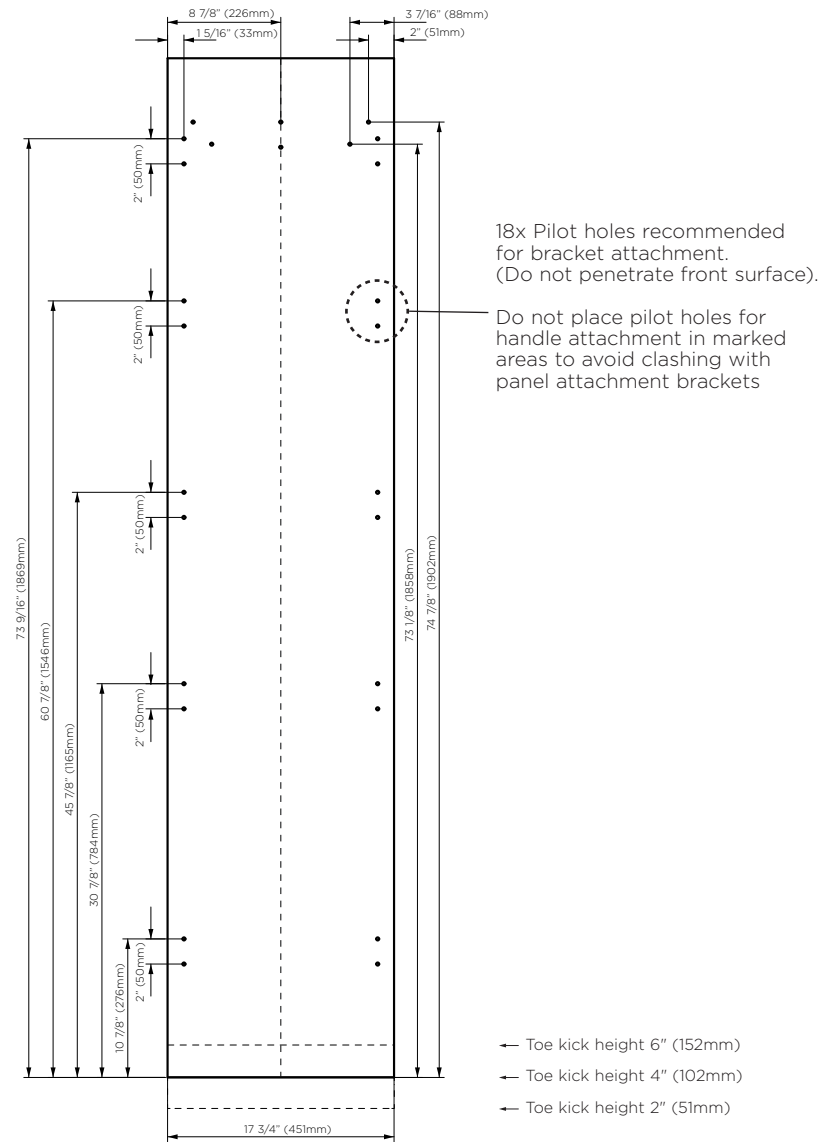


POWER CORD	18"		24"		30"	
	IN	MM	IN	MM	IN	MM
Ⓐ Total length exiting from left side of appliance (excluding plug)	54 1/2	1385	71 1/4	1809	68 1/4	1733
Ⓑ Total length exiting from right side of appliance (excluding plug)	55 9/16	1411	72 1/4	1835	69 1/4	1759

WATER HOSE	18"		24"		30"	
	IN	MM	IN	MM	IN	MM
Ⓒ Total length exiting from left side of appliance	89 7/16	2271	86 7/16	2196	68 1/4	1733
Ⓓ Total length exiting from right side of appliance	77	1956	72 1/4	1878	69 1/4	1759

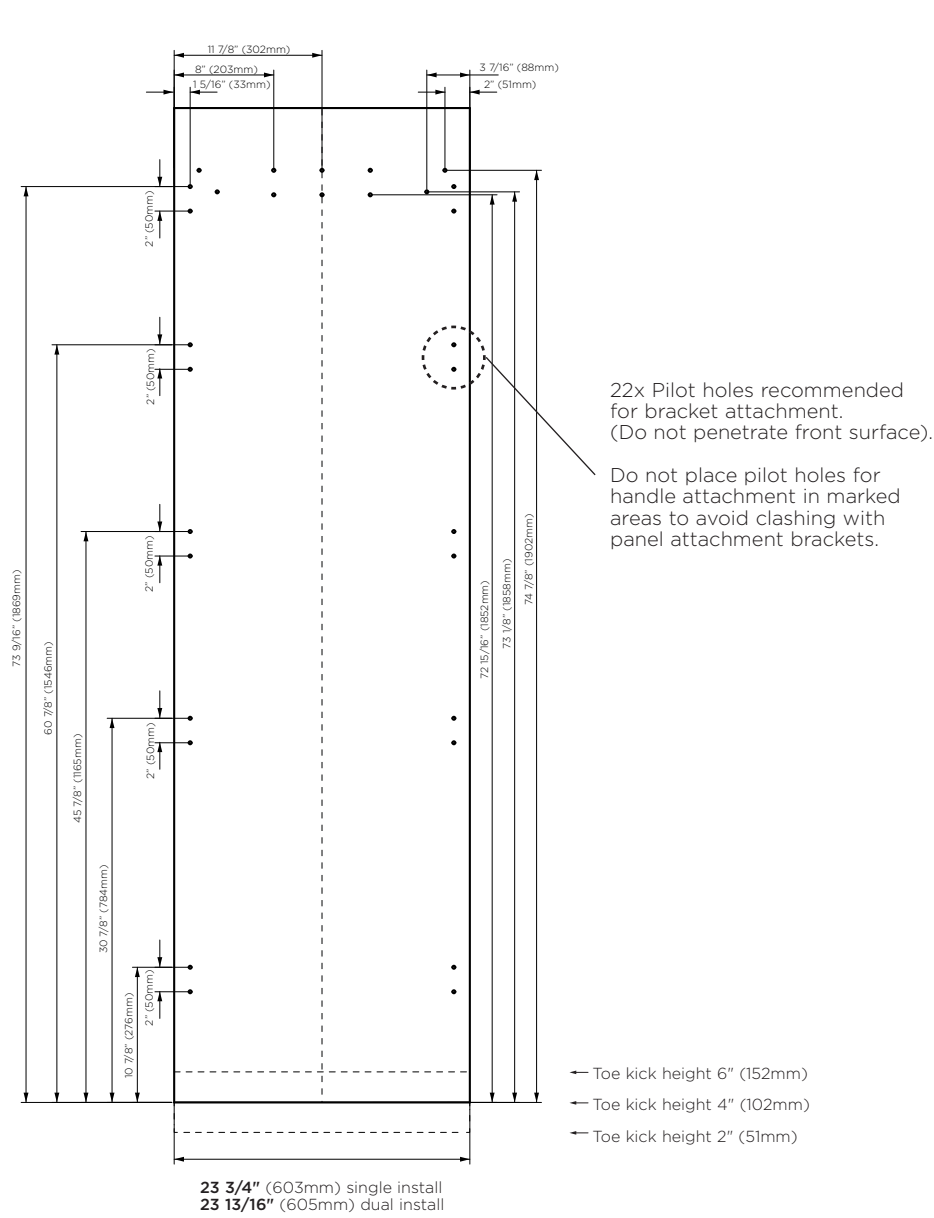
CUSTOM DOOR PANEL INSTALL DIMENSIONS

Dimensions apply for the preparation and installation of Custom door panels. For Dwg and Dxf files of the below panel preparation, download the folder from <http://thekitchentools.fisherpaykel.com>. The thickness of the custom door panel can vary provided that the screws do not penetrate beyond the full depth of the door panel.

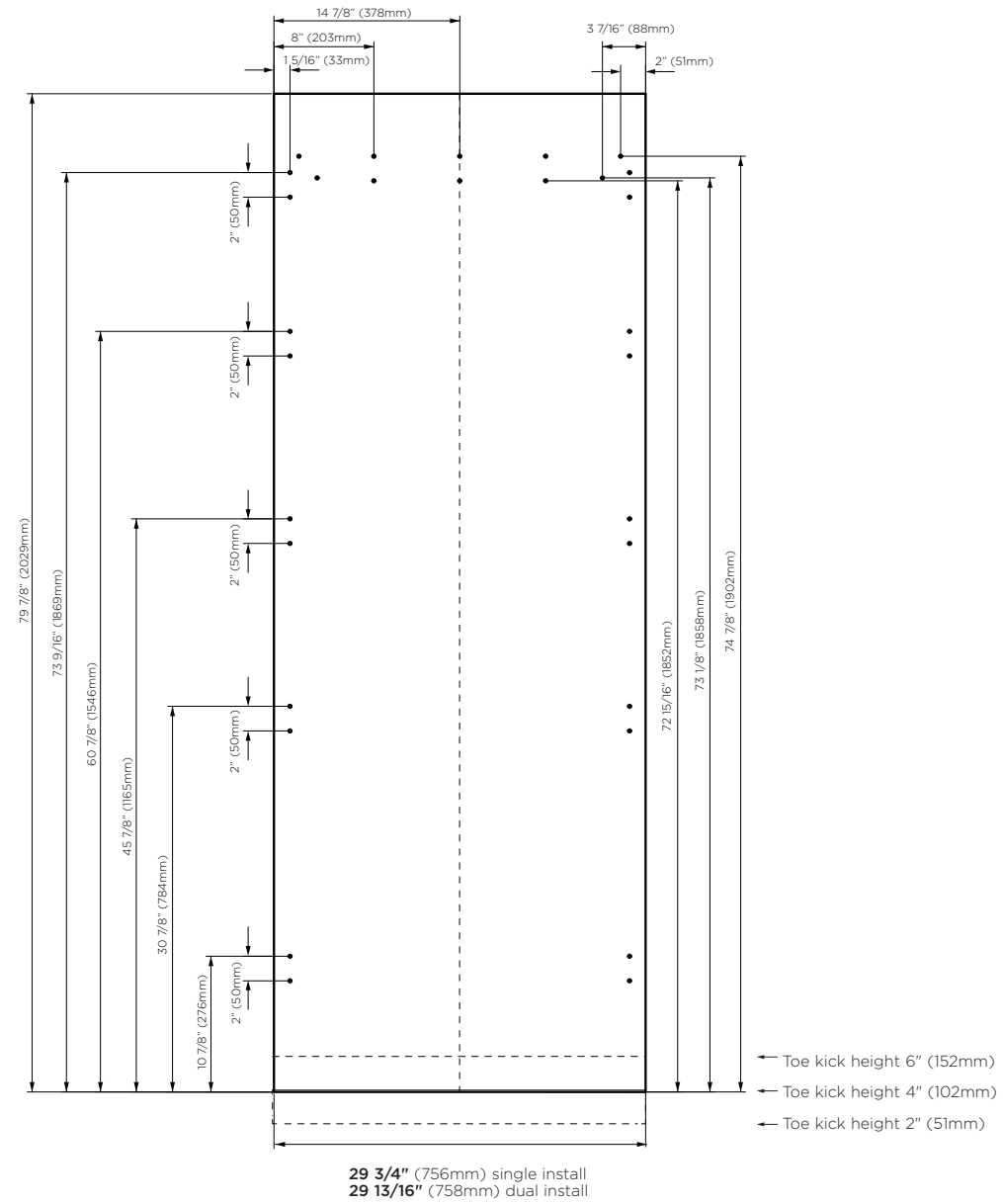


18" FREEZER

CUSTOM DOOR PANEL INSTALL DIMENSIONS



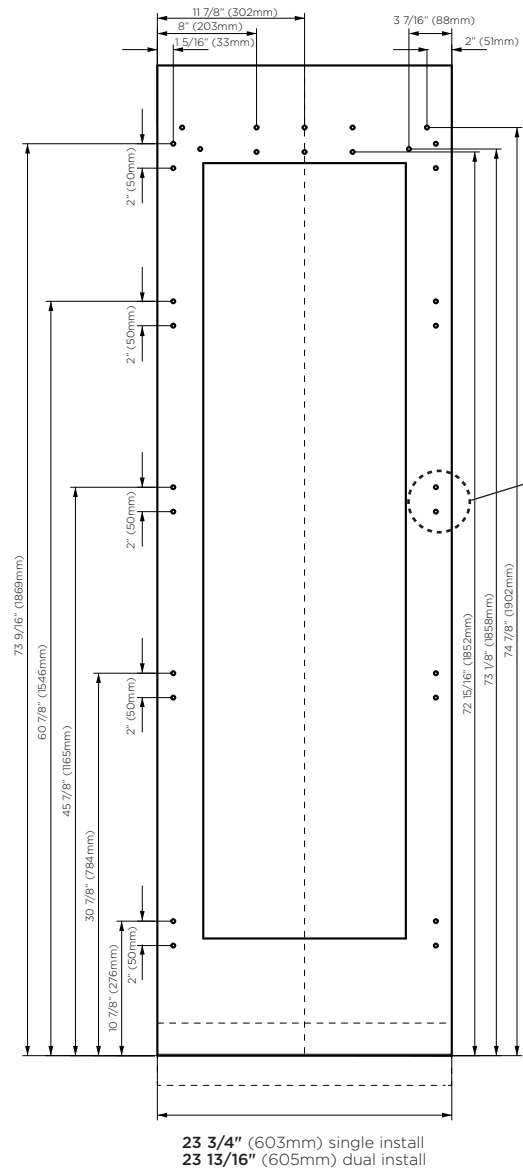
24" REFRIGERATOR OR FREEZER



30" REFRIGERATOR OR FREEZER

CUSTOM DOOR PANEL INSTALL DIMENSIONS

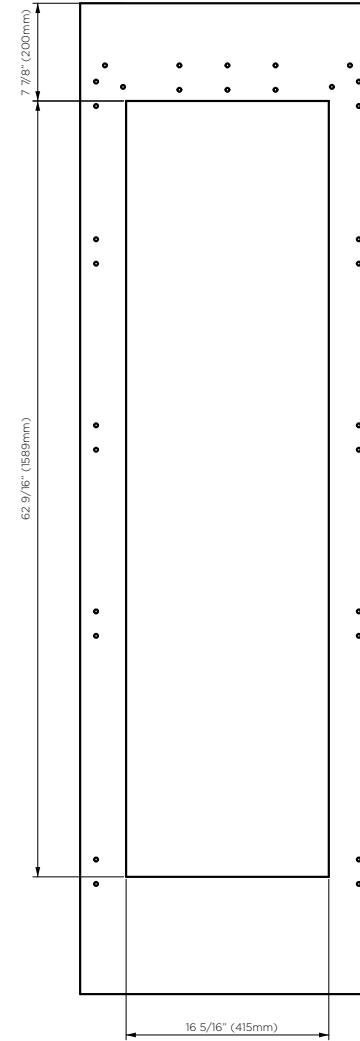
For Wine cabinet, the Custom door panel must leave the glass pane visible. A full custom panel sheathing over the glass pane does not meet the specifications of this appliance.



22x Pilot holes recommended for bracket attachment. (Do not penetrate front surface).

Do not place pilot holes for handle attachment in marked areas to avoid clashing with panel attachment brackets.

- ← Toe kick height 6" (152mm)
- ← Toe kick height 4" (102mm)
- ← Toe kick height 2" (51mm)

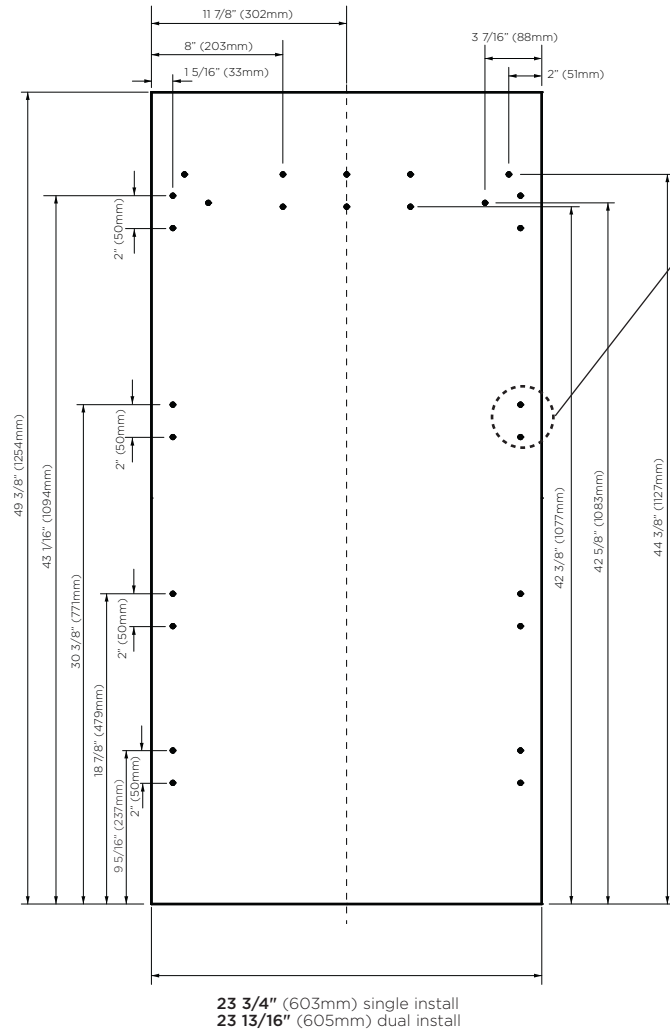


24" WINE CABINET

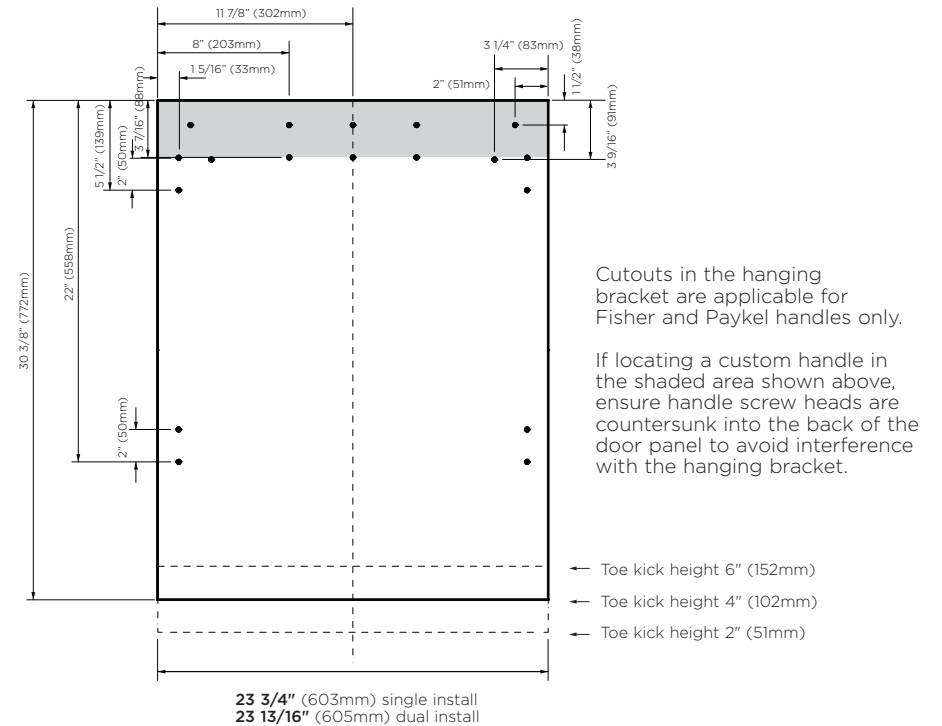
CUSTOM DOOR PANEL INSTALL DIMENSIONS

Dimensions apply for the preparation and installation of Custom door panels. For Dwg and Dxf files of the below panel preparation download the folder on thekitchentools.fisherpaykel.com.

- The thickness of the custom door panel can vary provided that the screws do not penetrate beyond the full depth of the door panel.



**24" REFRIGERATOR-FREEZER
TOP DOOR PANEL**

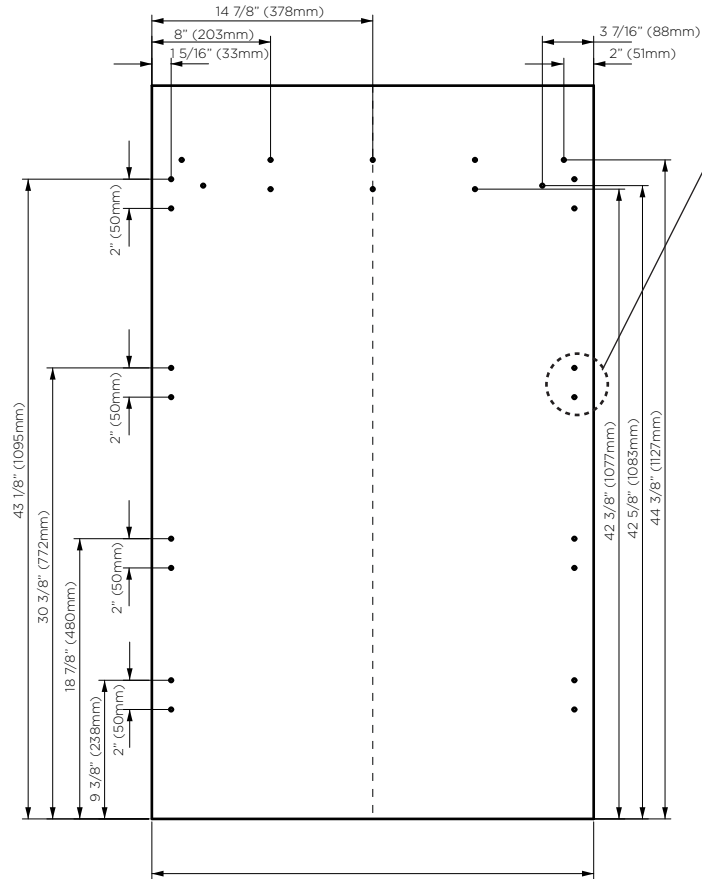


**24" REFRIGERATOR-FREEZER
DRAWER PANEL**

CUSTOM DOOR PANEL INSTALL DIMENSIONS

Dimensions apply for the preparation and installation of Custom door panels. For Dwg and Dxf files of the below panel preparation download the folder on thekitchentools.fisherpaykel.com.

- The thickness of the custom door panel can vary provided that the screws do not penetrate beyond the full depth of the door panel.

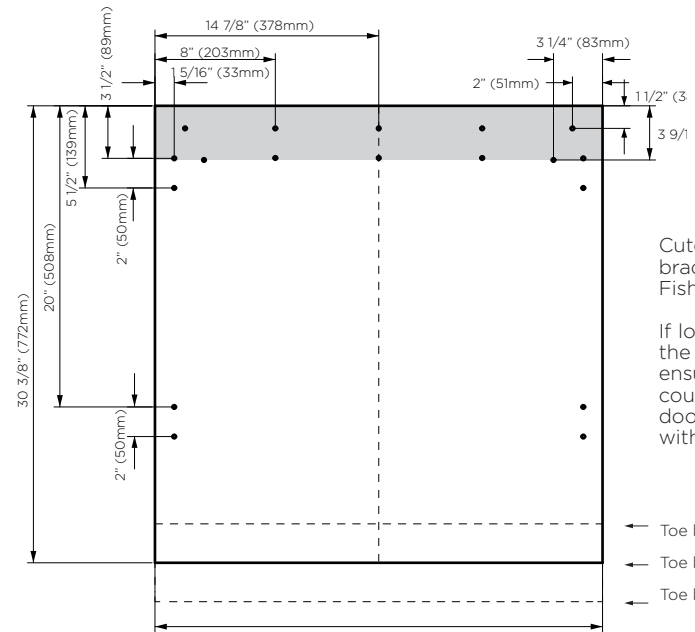


10x Pilot holes recommended for bracket attachment. (Do not penetrate front surface).

Ensure handle is mounted 2 9/16" (65mm) from edge of panel to the centre – this will avoid interference with bracket.

29 3/4" (756mm) single install
29 13/16" (758mm) dual install

**30" REFRIGERATOR-FREEZER
TOP DOOR PANEL**



Cutouts in the hanging bracket are applicable for Fisher and Paykel handles only.

If locating a custom handle in the shaded area shown above, ensure handle screw heads are countersunk into the back of the door panel to avoid interference with the hanging bracket.

- ← Toe kick height 6" (152mm)
- ← Toe kick height 4" (102mm)
- ← Toe kick height 2" (51mm)

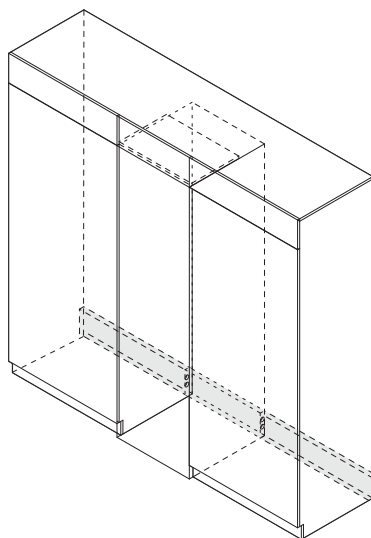
29 3/4" (756mm) single install
29 13/16" (758mm) dual install

**30" REFRIGERATOR-FREEZER
DRAWER PANEL**

BEFORE INSTALLATION

Checking your cabinetry

Check the dimensions of the cabinetry: height, width, depth, floor level, finished alcove returns. Refer to 'Cavity dimensions' for the correct measurements.

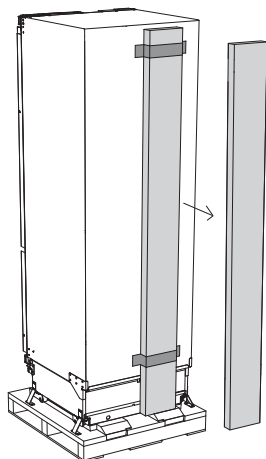


Check the power supply and water connections

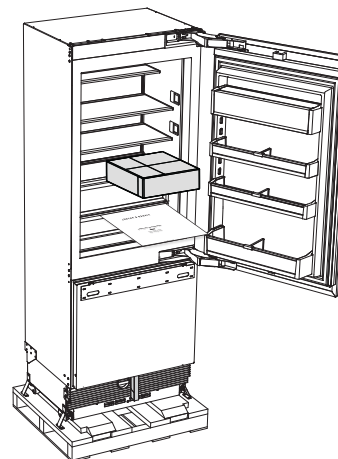
- Ensure that there is a separate power socket for each appliance.
- Avoid sharing the power point with other appliances to prevent accidental switching off of the appliance.
- For power requirements, refer to the information on the serial plate.
- Ensure your appliance is properly grounded.
- Connect your appliance to an electrical supply with the fitted plug and lead.
- If power connection is located behind the appliance, we recommend to install an isolating switch to a location that is easily accessible to the user for repair or disconnection.
- Follow local codes and ordinances when installing the appliance.

Checking your appliance

Unpack your appliance following the steps printed on the packaging box. Ensure your appliance is the correct model as your order. Ensure components and install kits are complete.



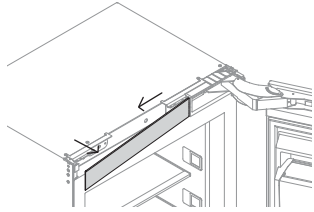
Remove the trims kit from the back of the appliance. Refer to 'Supplied parts' — Trims install kit for parts included in the box.



Remove the installation kit and miscellaneous items kit from inside the appliance.

BEFORE INSTALLATION

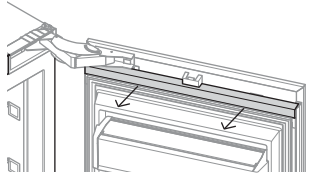
Removing pre-installed parts



Top trim

Disengage one end of the top trim from dual lock strips on the non-hinge side of the appliance.

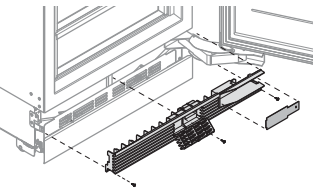
Slide the top trim out from the hinge pocket of the appliance.



Top door extrusion

Unclip the trim caps of the top extrusion carefully from both ends of the top of the door.

Ensure the magnet remains in place and not damaged as this will affect the operation of the appliance.



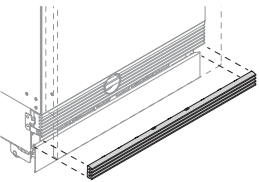
Top grille*

Open the door and remove hinge pocket cover using a flat head screwdriver in the slot.

Open the water filter hatch on the bottom grille and unscrew the #8x16 screw.

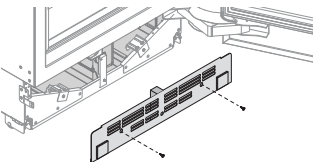
Remove the bottom grille by unscrewing the #8x16 screws from both ends of the grille.

*Top grille for Refrigerator-Freezer different from illustration.



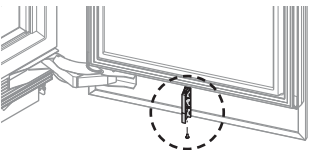
Bottom grille

The bottom grille is detachable via magnets.



Toe kick mounting plate

Remove the screws to detach the toe kick mounting plate.

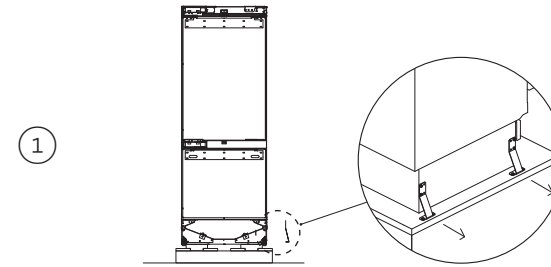


Air flow divider

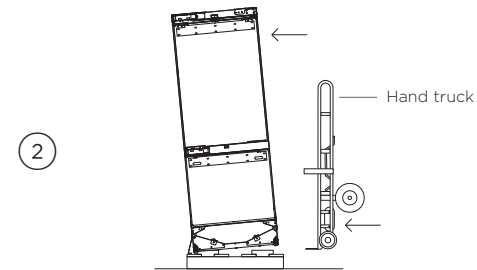
Remove the screw to detach the air flow divider. Set aside all the removed parts to reuse later.

Moving your appliance

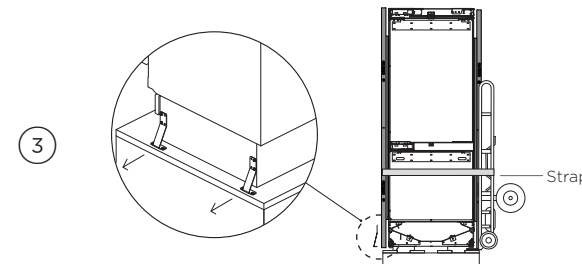
Be careful when tilting the appliance forward/backward. Tape the door shut to prevent opening while moving the appliance. You need at least two persons to move this appliance.



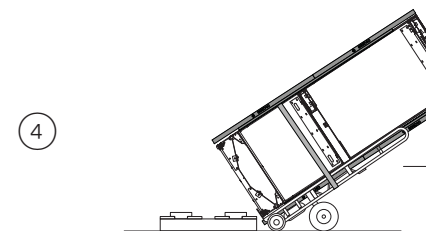
Remove the brackets from the non-hinge side of the pallet.



Tilt the appliance slightly forward and insert the hand truck between pallet and appliance.



Restrain the appliance with strap and remove the remaining brackets. Use corner posts while strapping to avoid pinching of side trims.

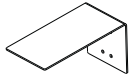


Tilt backward to load the appliance onto the hand truck and set aside the pallet.

Push the hand truck to the installation location.

CAVITY PREPARATION

Anti-tip bracket assembly kit



Anti-tip bracket (1x)

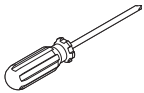


Masonry plug (4x)

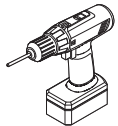


#10x40 cross-head screw (4x)

Tools



Cross-head screwdriver

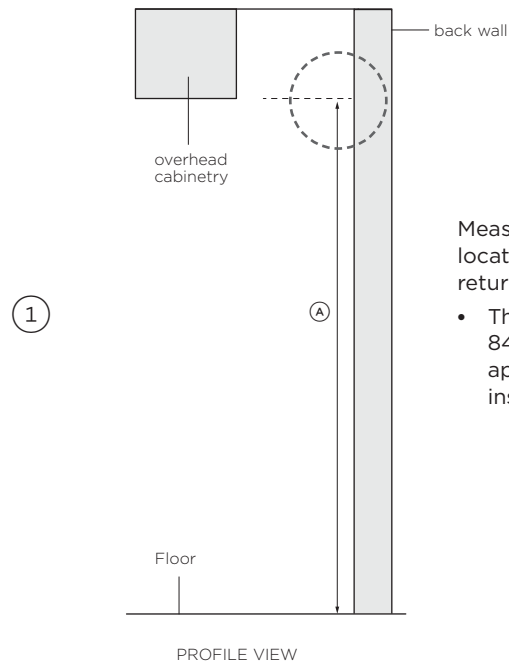


Powered drill



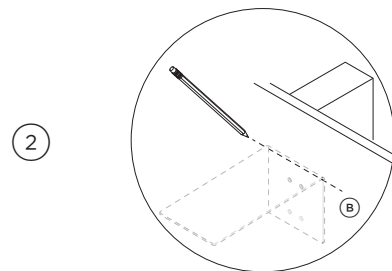
Pencil

Attaching the anti-tip bracket



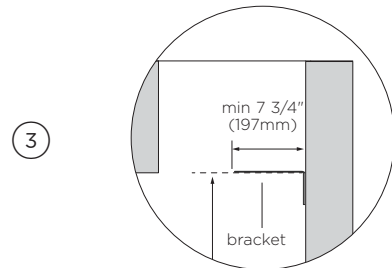
Measure the height (**A**) of the attachment location from the floor to the alcove return.

- The height (**A**) must not exceed 84 3/16" (2138mm) to ensure the appliance does not tip over during installation.



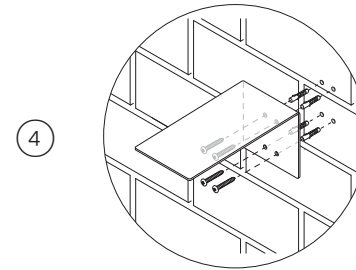
Mark a horizontal line (**B**) at the back wall.

- Ensure there is a stud behind the wall.



Place the bracket to the backwall. Align the undersurface of the bracket along the marked line.

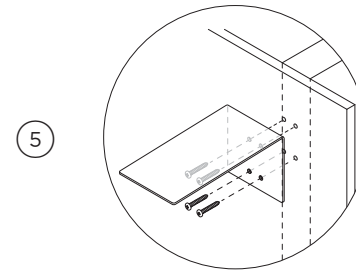
Mark screw hole locations, and drill screw holes with powered drill.



For solid wall installation

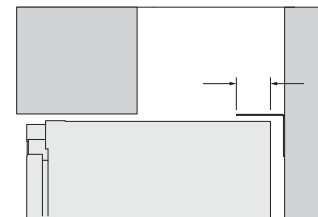
Drill holes suitable to the size of the masonry plugs.

Hammer 10x30mm masonry plugs into wall until flush. Fix bracket to wall with #10x40mm cross head screws, and screw tightly.



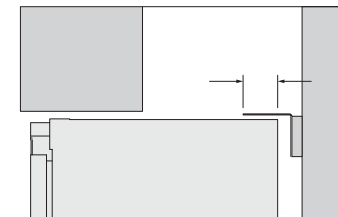
For plaster board wall

Fix the anti-tip bracket to the wall with #10x40mm cross head screws, and screw tightly with a screwdriver.



When rolling the appliance into the cabinetry, ensure the anti-tip bracket overlaps the back edge of the appliance.

- The bracket must overlap the appliance by a minimum 7 1/16" (180mm) for a secure hold.



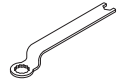
If minimum 7 1/16" (180mm) overlap cannot be achieved, install a solid spacer to the wall stud behind the bracket.

- Be careful not to run over the power cord when rolling in the appliance.

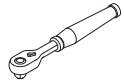
Tools



M8 hex key

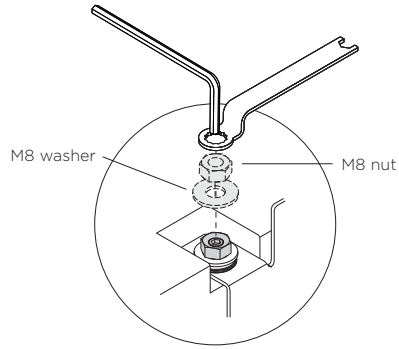


1/2" (13mm) spanner

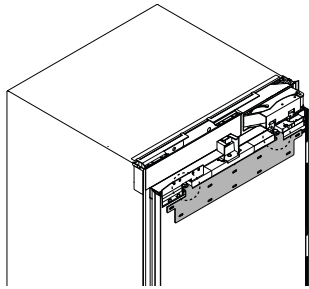


1/2" (13mm) socket wrench

Removing the hanging brackets

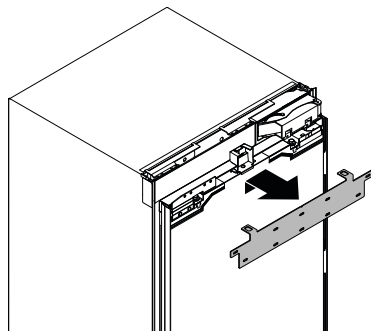


①



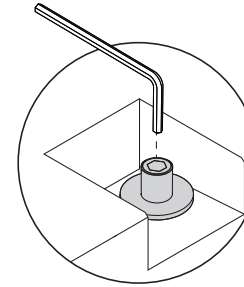
Remove the M8 nut and M8 washer from the M8 screw at the top of the door using the supplied hex key and spanner.

②

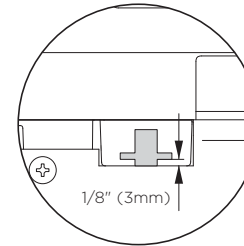


Remove the hanging bracket and set aside to use later.

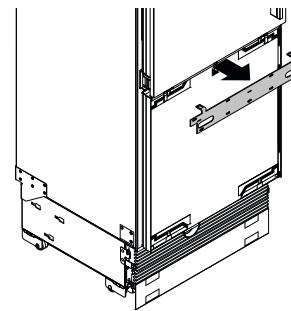
③



Loosen the M8 screws by 1/8" (3mm).



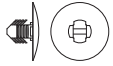
④



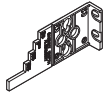
For Refrigerator-Freezer:
Repeat steps ①-③ to remove the bracket of the drawer. Use a socket wrench to loosen the M8 nut.

APPLIANCE PREPARATION

Install fasteners kit

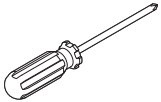


Barbed plugs (2x)



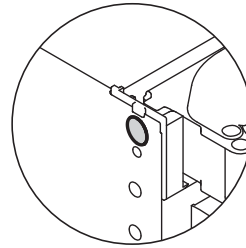
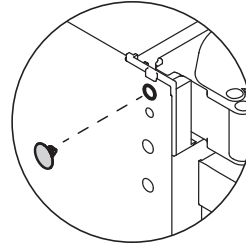
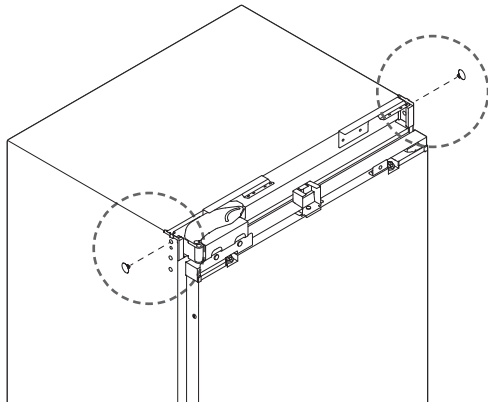
Cabinet depth alignment gauge (4x)

Tools



Cross-head screwdriver

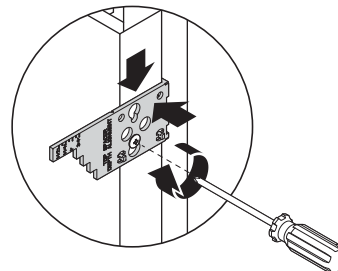
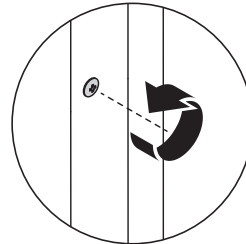
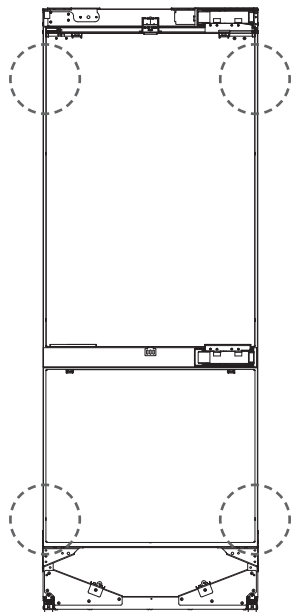
Attaching the barbed plugs



Before rolling into the cavity, insert a barbed plug into the large holes at the top right and left sides of the appliance.

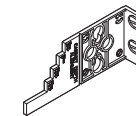
The plugs protect the inside surface of cabinetry from being damaged by screws when pushing in the appliance.

Attaching the depth alignment gauges

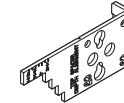


Loosen the right and left screws at the top and bottom sides of the door.

Locate the alignment gauges at correct orientation to the right and left screws.



Left



Right

Place the alignment gauge by inserting the screw head through the keyhole of the gauge.

Push the alignment gauge down to lock the position.

Tighten the screw just enough to firmly hold the gauge.

- The alignment gauges are only temporary and must be removed after installation.

For multiple product installation information, refer to page 50.

DOOR PANEL PREPARATION — STAINLESS STEEL PANEL

Door handle kit



M5x25 Hex screw
(4x)

Door panel attachment kit



Side bracket
(12x)



Bracket slider
(12x)



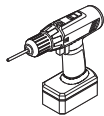
Bracket spacer
(12x)

Door panel kit



8Gx16 Mush washer screw
(32x)

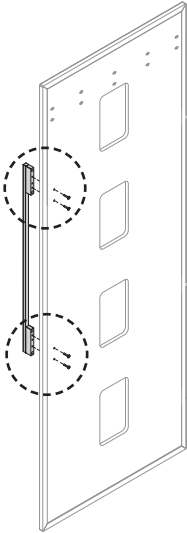
Tools



Powered driver

Attaching the handle

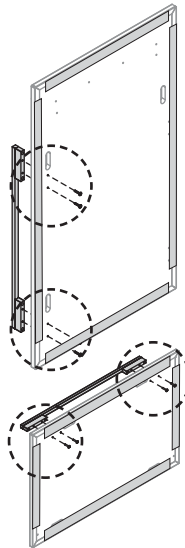
Remove the protective film around the handle attachment area before installing the handle. Protect the finish of the door panel to avoid damage or scratches to the surface.



For Refrigerator/Freezer/Wine cabinet

Remove the plastic plugs from handle holes (4x) of the door panel.

Align the handle to the holes and secure with M5x25 hex screws.



For Refrigerator-Freezer

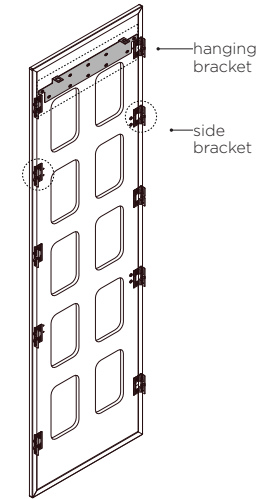
Remove the plastic plugs from handle holes (4x) of the top door panel.

Align the handle to the holes and secure with M5x25 hex screws.

Secure the handle to the handle holes of the drawer door panel with M5x25 hex screws.

Remove the blue tape attached to the inner edges of the door panel after the handles are installed.

Attaching the brackets

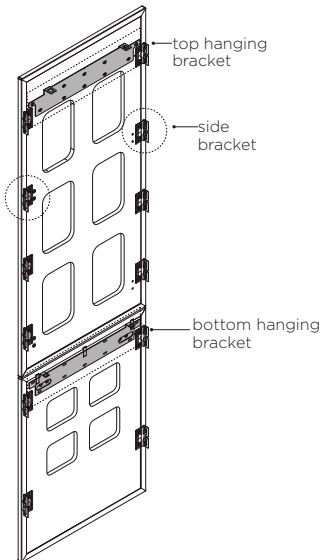
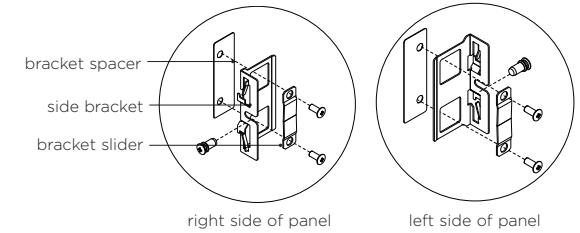


For Refrigerator/Freezer/Wine cabinet

Secure the top hanging bracket to the screw holes of the door panel with 8Gx16 Mush washer screws.

- 6x screws for 18" Column
- 10x screws for 24" or 30" Column

Secure the bracket spacer, side bracket and bracket slider (in order as illustrated) to the screw holes on both sides of the door and drawer panels with 8Gx16 mush washer screws. The side bracket should be able to move freely horizontally and vertically.



For Refrigerator-Freezer

Secure the top hanging bracket to the screw holes of the door panel with 8Gx16 Mush washer screws.

- 10x screws for 24" or 30" Column

Secure the bottom hanging bracket to the screw holes of the drawer door panel with 8Gx16 Mush washer screws.

Secure the bracket spacer, side bracket and bracket slider (in order as illustrated) to the screw holes on both sides of the door and drawer panels with 8Gx16 mush washer screws.

DOOR PANEL PREPARATION – CUSTOM PANEL

Door handle kit



M5x25 hex screw
(4x)

Door panel attachment kit



Side bracket
(12x)



Bracket slider
(12x)

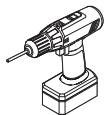


Bracket spacer
(12x)



M5x12 cross-head
screw (44x)

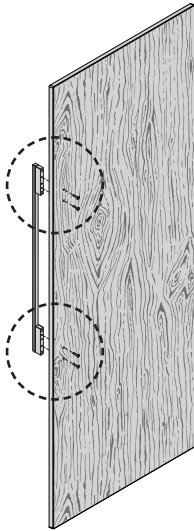
Tools



Powered driver

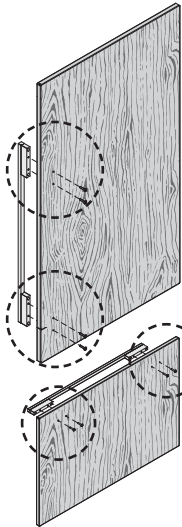
Attaching the handle

Refer to 'Custom Door panel dimensions' for correct screw hole positions on the door panel.



For Refrigerator/Freezer/Wine cabinet

Secure the door handle to the handle holes of door panel with M5x25 hex screw.



For Refrigerator-Freezer

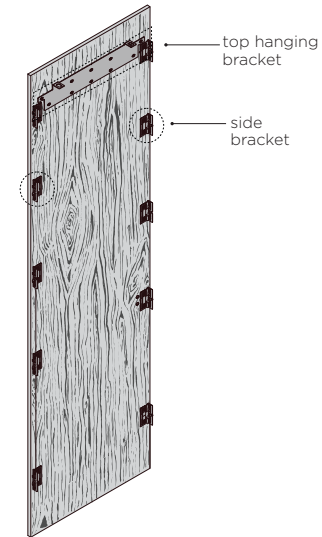
Secure the handle to the handle holes of the top door panel with M5x25 hex screw.

Secure the handle to the handle holes of the drawer door panel with M5x25 hex screw.

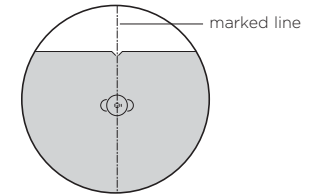
Ensure the door and drawer handles do not interfere when attaching the side attachment brackets.

Attaching the brackets

Refer to 'Custom Door panel dimensions' for correct screw hole positions on the door panel.



top hanging
bracket
side
bracket

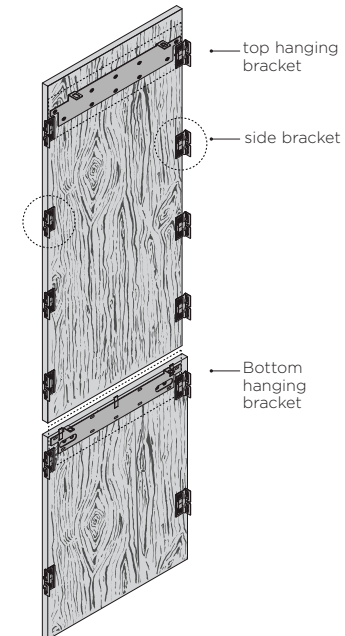


For all models

Mark a line across the centre of the custom door panel.

Align the 'V' notch at the top of the bracket to the centreline.

Secure the top hanging bracket to the screw holes of the refrigerator custom door panel with M5x12 cross-head screws.



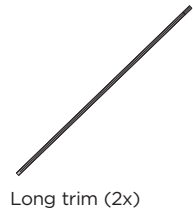
top hanging
bracket
side bracket
Bottom
hanging
bracket

For Refrigerator-Freezer

Secure the bottom hanging bracket to the screw holes of the drawer door panel with M5x12 cross-head screws.

DOOR PANEL PREPARATION – WINE CABINET ONLY

Installation kit

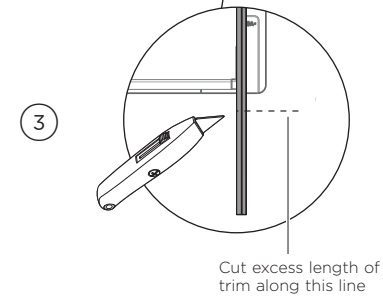
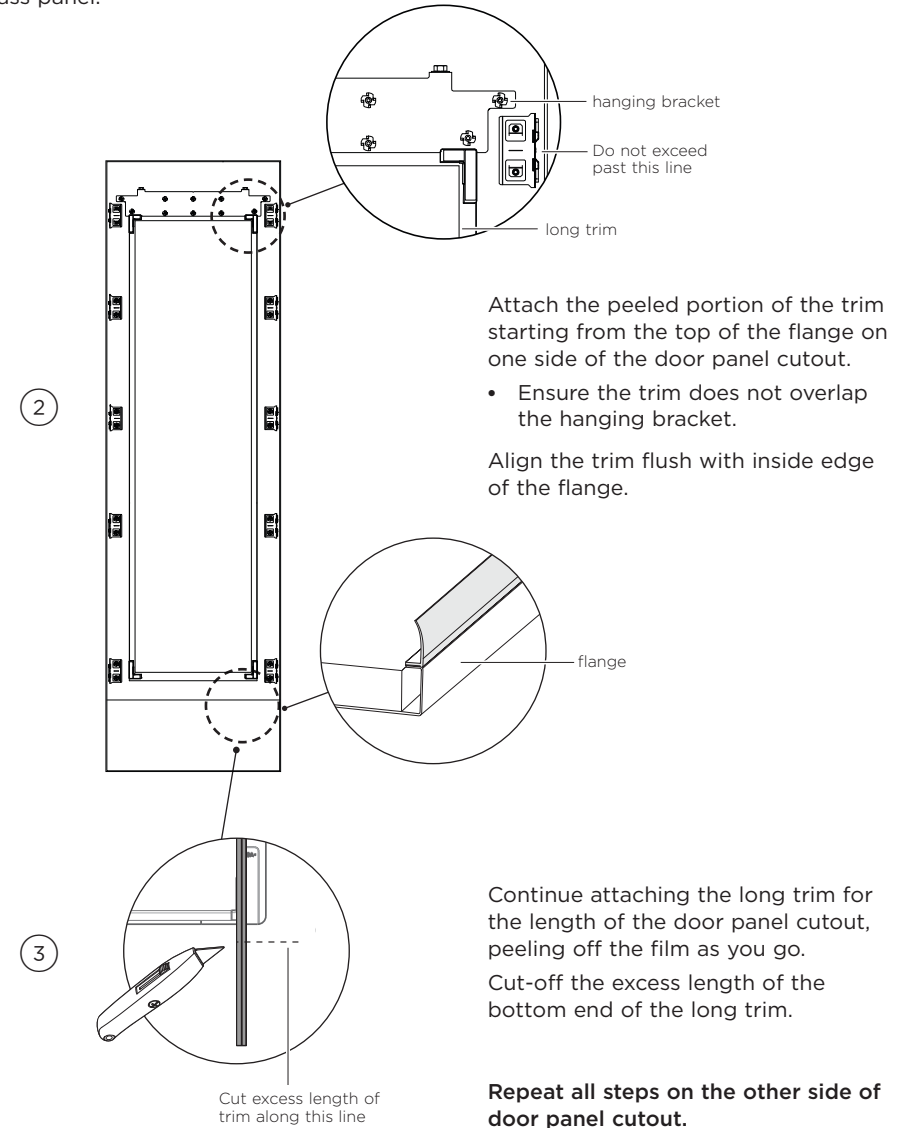
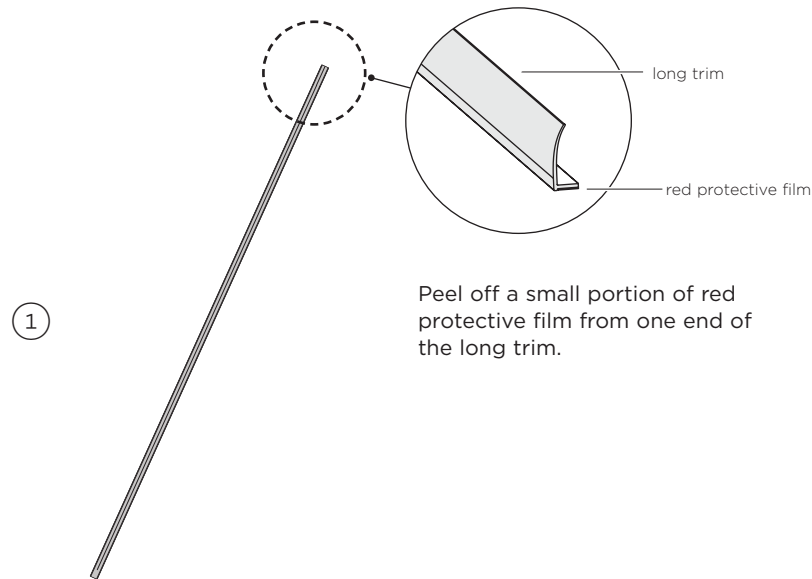


Tools



Attaching the long glass trims

Glass trims are attached to cover the gap between the Stainless steel door panel and glass panel.



Continue attaching the long trim for the length of the door panel cutout, peeling off the film as you go. Cut-off the excess length of the bottom end of the long trim.

Repeat all steps on the other side of door panel cutout.

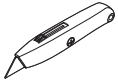
DOOR PANEL PREPARATION – WINE CABINET ONLY

Installation kit



Short trim (2x)

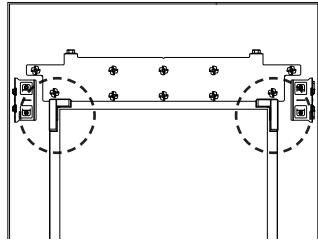
Tools



Cutter

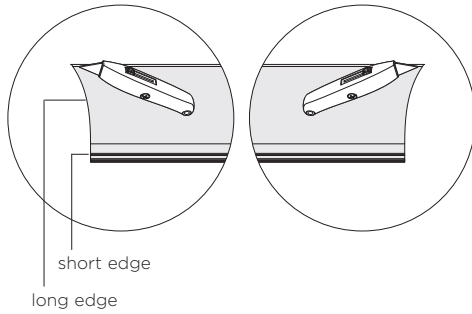
Attaching the short glass trims

1



Place the short trim along the length of the top of door panel cutout across the top ends of the long trims. **(A)**

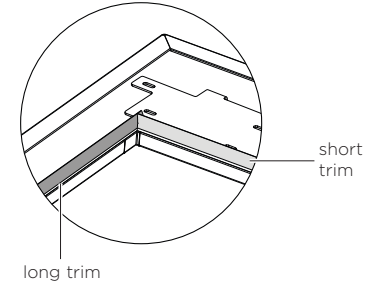
2



Cut both ends of the short trim to length.

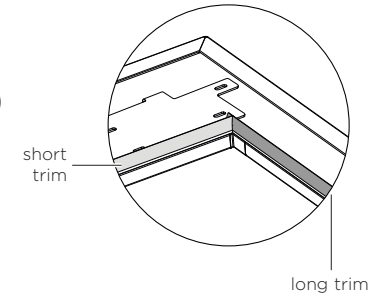
Peel off a small portion of red protective film from the short edge.

3



Attach the peeled portion starting from one end of flange perpendicular to top end of long trim.

4



Continue attaching the short trim for the length of the top of door panel cutout, peeling off the film as you go.

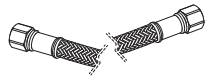
Ensure the trim is aligned flush to inside edge of flange.

Attach the remaining peeled portion of short trim to the flange perpendicular to top end of the other long trim.

Repeat steps 1-4 to the bottom of door panel cutout.

POWER AND WATER SUPPLY CONNECTION

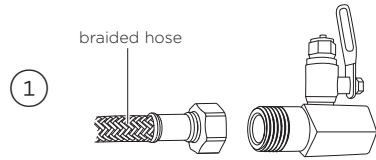
Water fittings kit



1/2 BSP Stainless steel braided hose with 7/16-24 UNS thread (1x)

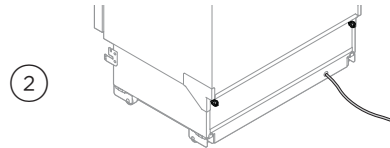
Connecting to water supply

Ensure the door of the appliance is closed before rolling into the cabinetry. Push the appliance carefully towards the front of the cabinetry close enough to allow access at the back for power and water connection. Ensure an isolating tap is available if water supply is not easily accessible.

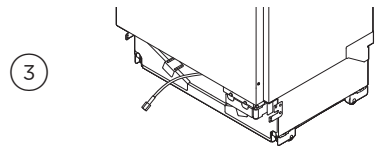


Connect one end of a braided water hose to the water tap.

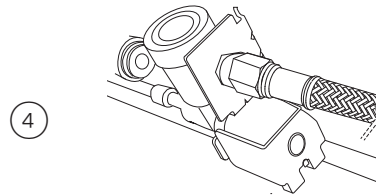
Flush water through the hose prior to connection to the appliance to remove any debris in the hose.



Insert the other end of the braided hose through a hole at the rear of the plinth and push all the way to the front of the appliance.

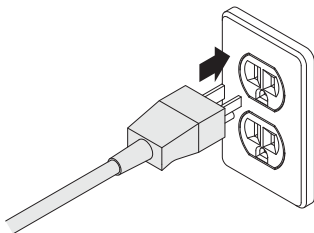


Pull the hose to the front of the appliance.



Connect the braided hose to the isolation valve.

Connecting to power supply



At the back of your appliance, connect the power plug to the power outlet (115VAC, 60Hz).

- You will hear a chime sound when the appliance is powered on.

When powered on for the first time, your appliance will default to Install mode.

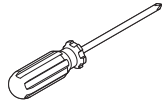


Once installation is complete, unlock the control panel and hold **Compartment** button for four seconds to start cooling.

- Refer to your 'User guide' for more information on activating your appliance.

SINGLE INSTALLATION — ALIGN APPLIANCE INTO CABINETY

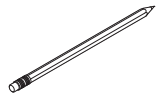
Tools



Cross-head screwdriver



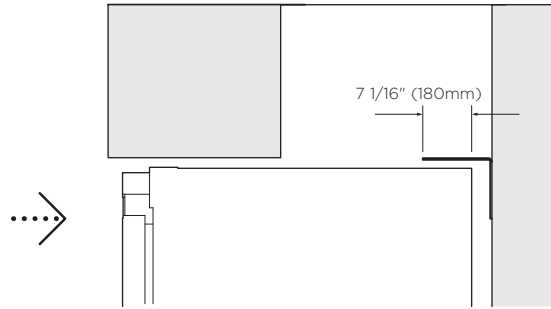
Ruler



Pencil

For multiple product installation information, refer to page 50.

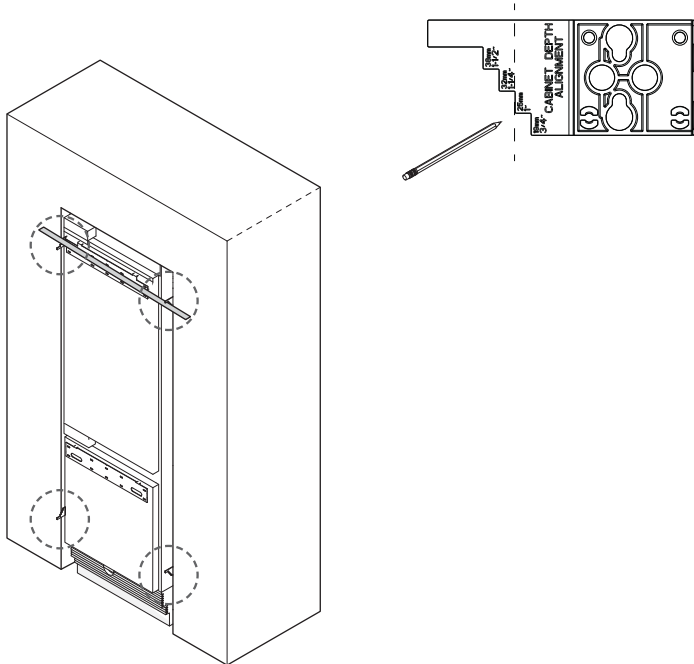
Pushing into the cabinetry



Roll the appliance carefully into the cabinetry until the anti-tip bracket overlaps the back edge of the appliance.

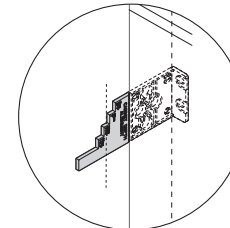
- Ensure the bracket overlaps the appliance by a minimum 7 1/16" (180mm) for a secure hold.
- Be careful not to run over the water hose and power cord when rolling in the appliance.

Aligning the depth gauges

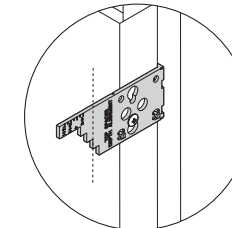


On the 'Cabinet depth alignment' side of the depth gauges, mark the step on both sides of the door based on the thickness of the door panel.

- Example illustration show the door panel thickness 1" (25.4mm) marked on the gauges.

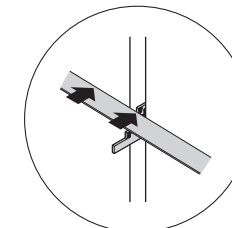
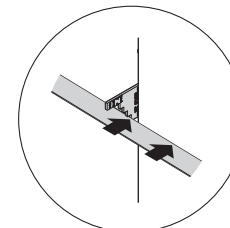


Left



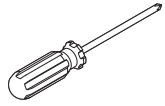
Right

Check if the gaps between appliance and cabinetry side walls are even on left and right sides.

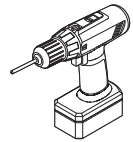


SINGLE INSTALLATION — ALIGN APPLIANCE INTO CABINETY

Tools

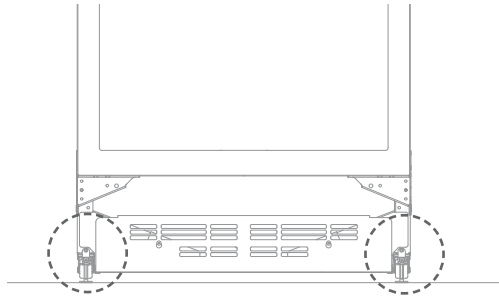


Cross-head screwdriver



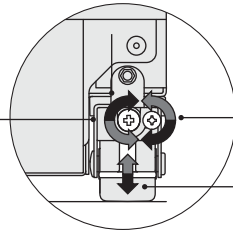
Powered driver (optional)

Adjusting the alignment in the cabinetry



1

Front foot adjustment screw



Rear foot adjustment screw

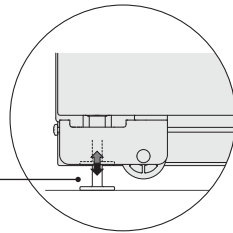
Foot

Clockwise turn of the front and rear adjustment screws raise the height of the appliance.

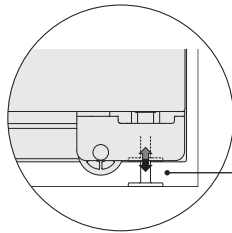
Counter-clockwise turn of the adjustment screws lower the height of the appliance.

2

Front feet

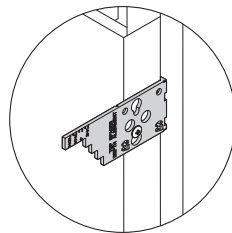
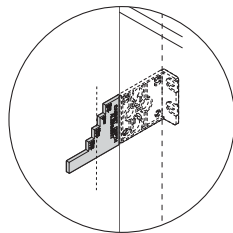


Rear feet



Turn the front and rear adjustment screws clockwise to extend the front feet and rear feet until they engage the floor and the top bracket reaches the cabinetry ceiling.

3



Check the depth gauges while adjusting the screws to maintain alignment of the appliance.

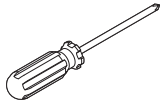
SINGLE INSTALLATION – SECURE APPLIANCE INTO CABINETY

Install fasteners kit

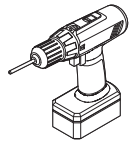


8Gx16 Countersunk screw (6x)

Tools

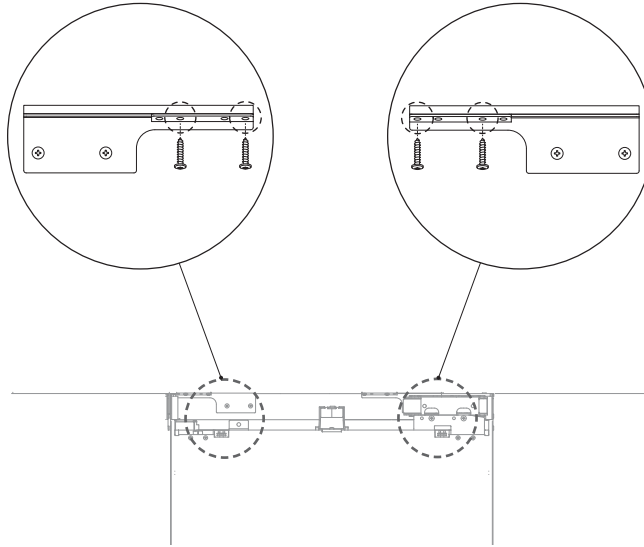


Cross-head screwdriver



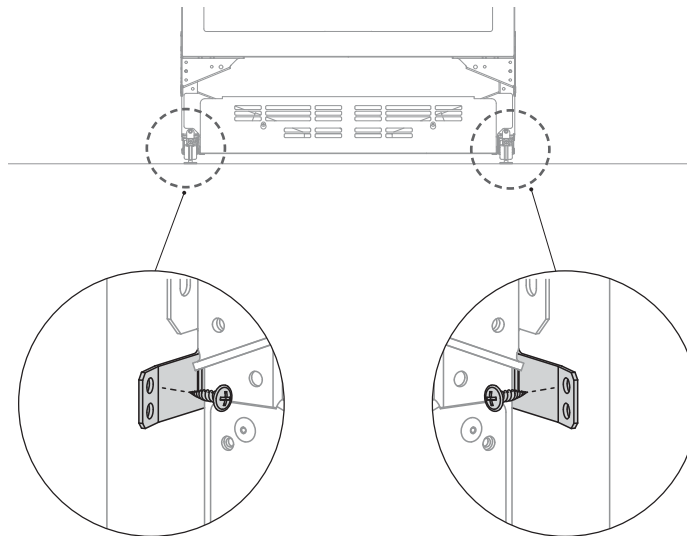
Powered driver (optional)

Securing the top brackets



Fix the top brackets to the ceiling surface of the cabinetry with 8Gx16 countersunk screws.

Securing the side brackets

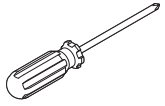


Fix the side brackets (2x) to the lower right and left sides of the cabinetry with 8Gx16 countersunk screws.

Once the appliance is secured to the cabinetry, remove the alignment gauges and re-tighten the side screws.

DOOR PANEL INSTALLATION

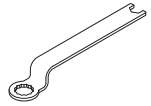
Tools



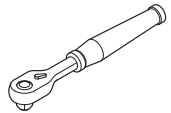
Cross-head screwdriver



M4 hex key (1x)



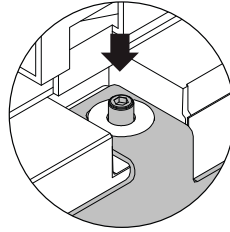
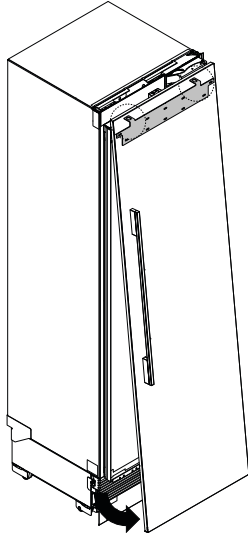
1/2" (13mm) spanner (1x)



1/2" (13mm) socket wrench

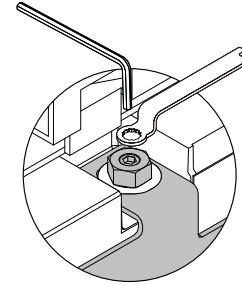
Hanging the door panel

①



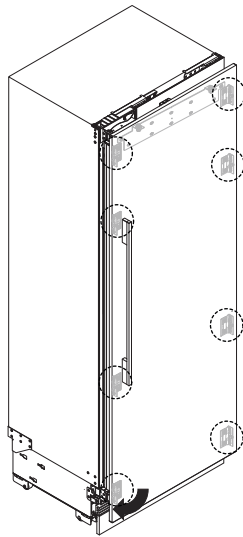
Hold the door panel at an angle from the top of the door and lower the screw holes of the hanging bracket onto the adjustment screws. .

③

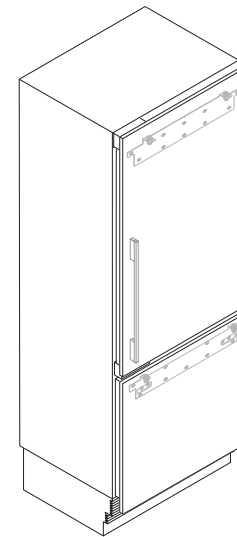


Screw the M8 washer and nut to the adjustment screw and loosely tighten.

②



Align the door panel straight with the door and slide-in the side brackets to the side screws of the door,
Tighten the side screws loosely to temporarily secure the door panel.



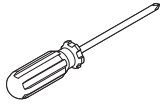
For Refrigerator-Freezer

Repeat steps ①-③ for the top door and drawer panels.

Use a 1/2" (13mm) socket wrench to tighten or loosen the M8 nut in the drawer panel.

DOOR PANEL INSTALLATION

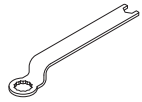
Tools



Cross-head screwdriver



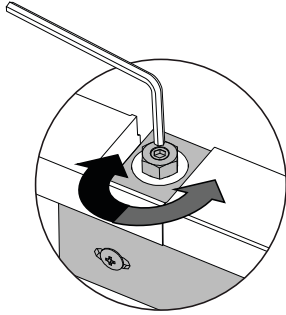
M4 hex key (1)



1/2" (13mm) spanner (1x)

Adjusting the height of door the panel

Ensure the side brackets are loosely screwed when adjusting the height of the door panel. Do not adjust the door panel height when the side brackets are screwed tight. This can generate friction which causes the hanging brackets to bend.

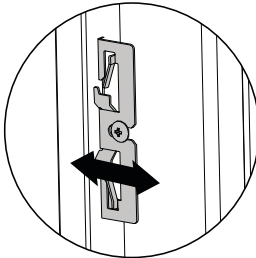


Turn the adjustment screw to raise or lower the height of the door panel relative to the door.

Continue adjustment until gap with cabinetry is more than 1/8" (3mm).

- Do not adjust the adjustment screw higher than 1/4" (6.5mm) from its fully down position.

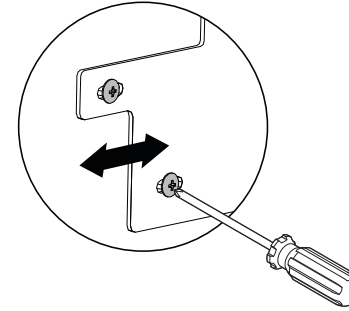
Adjust the depth of door panel



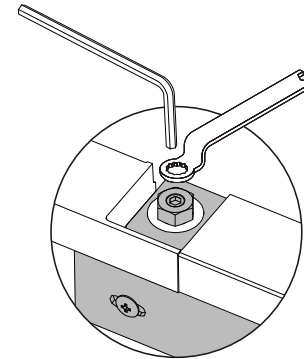
Loosen side screws on the side brackets, and slide door panel forward/backward.

Re-tighten once satisfied.

Adjusting the width of the door panel



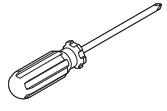
To adjust the door panel further, loosen the M8 washer and nut and slide the door panel to suit. If further adjustment is still required, remove the door panel then loosen the fixing screws of the hanging bracket and move bracket sideways to suit.



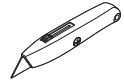
Once satisfied with door panel position, fully tighten M8 washer and nut to adjustment screw.

DOOR PANEL INSTALLATION

Tools



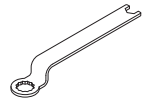
Cross-head screwdriver



Cutter

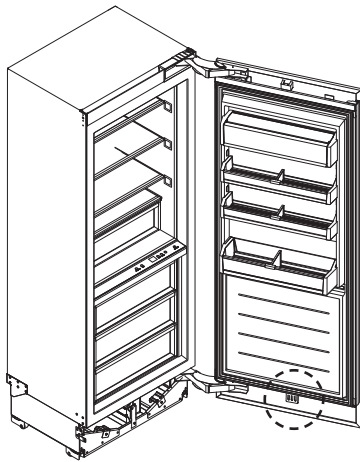


M4 hex key (1x)

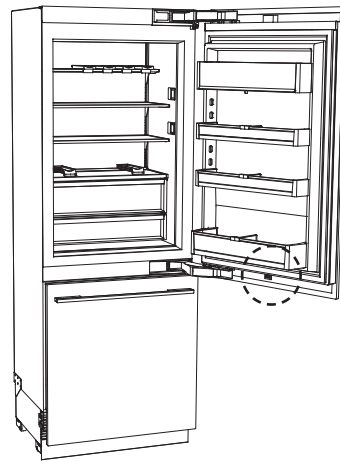


1/2" (13mm) spanner (1x)

Installing locking bracket

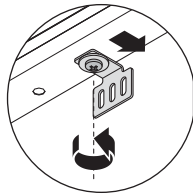


REFRIGERATOR OR FREEZER / WINE CABINET



REFRIGERATOR-FREEZER

①

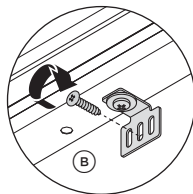


Loosen the screw at the bottom of the door, and slide the locking bracket out until it touches the panel.

Refrigerator-Freezer

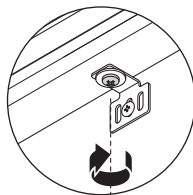
The locking bracket is located at the bottom of the top door panel.

②



Fix the locking bracket to the door panel with 8Gx16 countersunk screw.

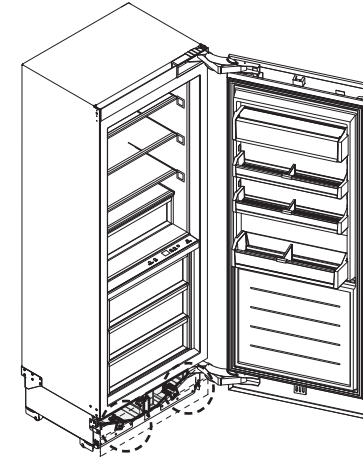
③



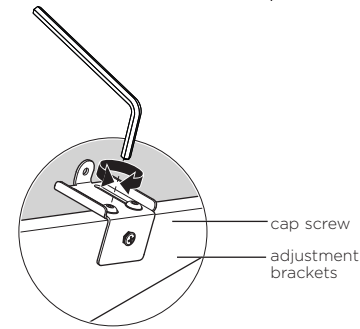
Re-tighten the screw at the bottom of the door.

TOE KICK INSTALLATION

Adjusting mounting plate brackets



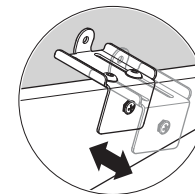
①



cap screw
adjustment brackets

Loosen the cap screws of the adjustment brackets on both sides of the plinth with a hex key.

②



Adjust the brackets to the desired depth by moving it forward/backward.

Re-tighten the cap screws once satisfied.

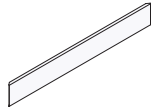
TOE KICK INSTALLATION

Miscellaneous components



Air toe kick seal (1x)

Toe kick install kit



Toe kick panel (1x)

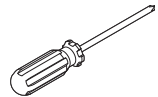


Magnets (4x)



8Gx16 Mush washer screws (4x)

Tools



Cross-head screwdriver

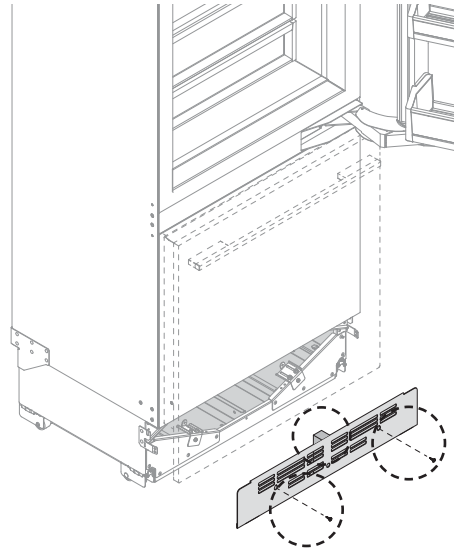


M4 hex key (1x)

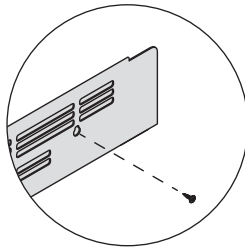


Powered driver

Attaching the mounting plate

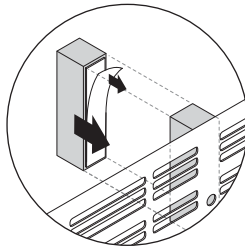


1



Re-attach the toe kick mounting plate to the plinth using same screws that were set aside previously.

2



If toe kick depth is less than 3 5/8" (92mm), attach an air toe kick seal to the mounting plate.

Peel off the adhesive tape of air toe kick seal and attach to the middle of the back side of the mounting plate.

Press firmly to ensure the tape adheres to the mounting plate.

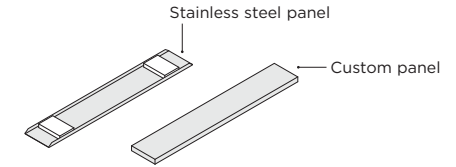
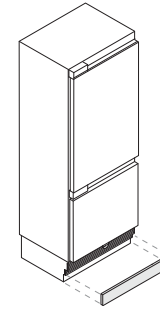
Stainless steel toe kick

Purchased separately. Visit fisherpaykel.com for information.

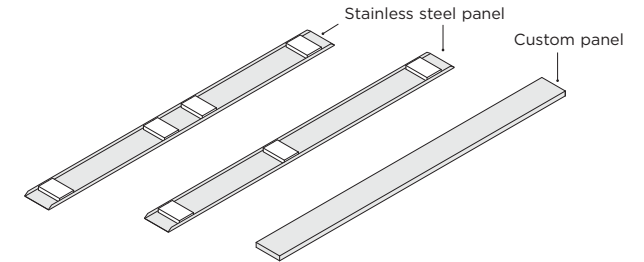
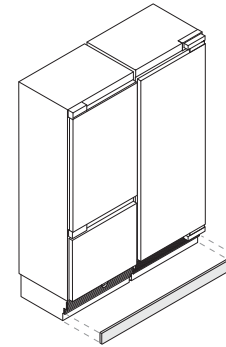
Custom toe kick

Supplied by customer to match cabinetry.

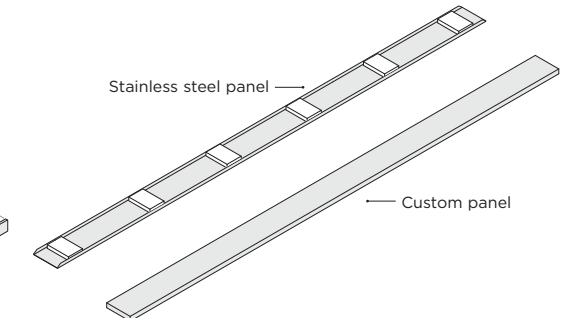
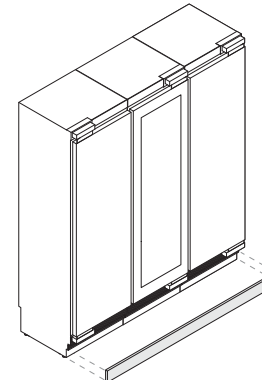
Single installation



Dual installation

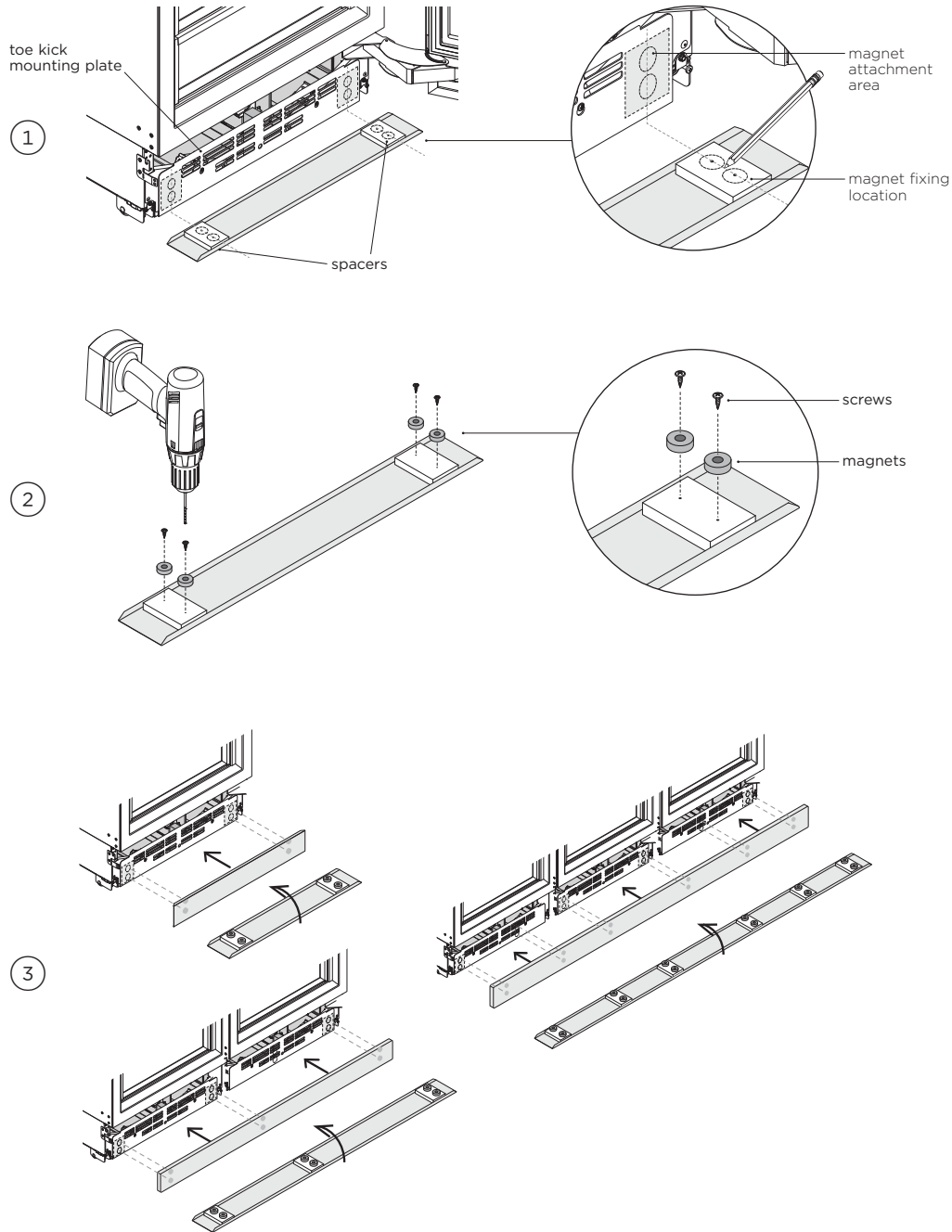


Triple installation

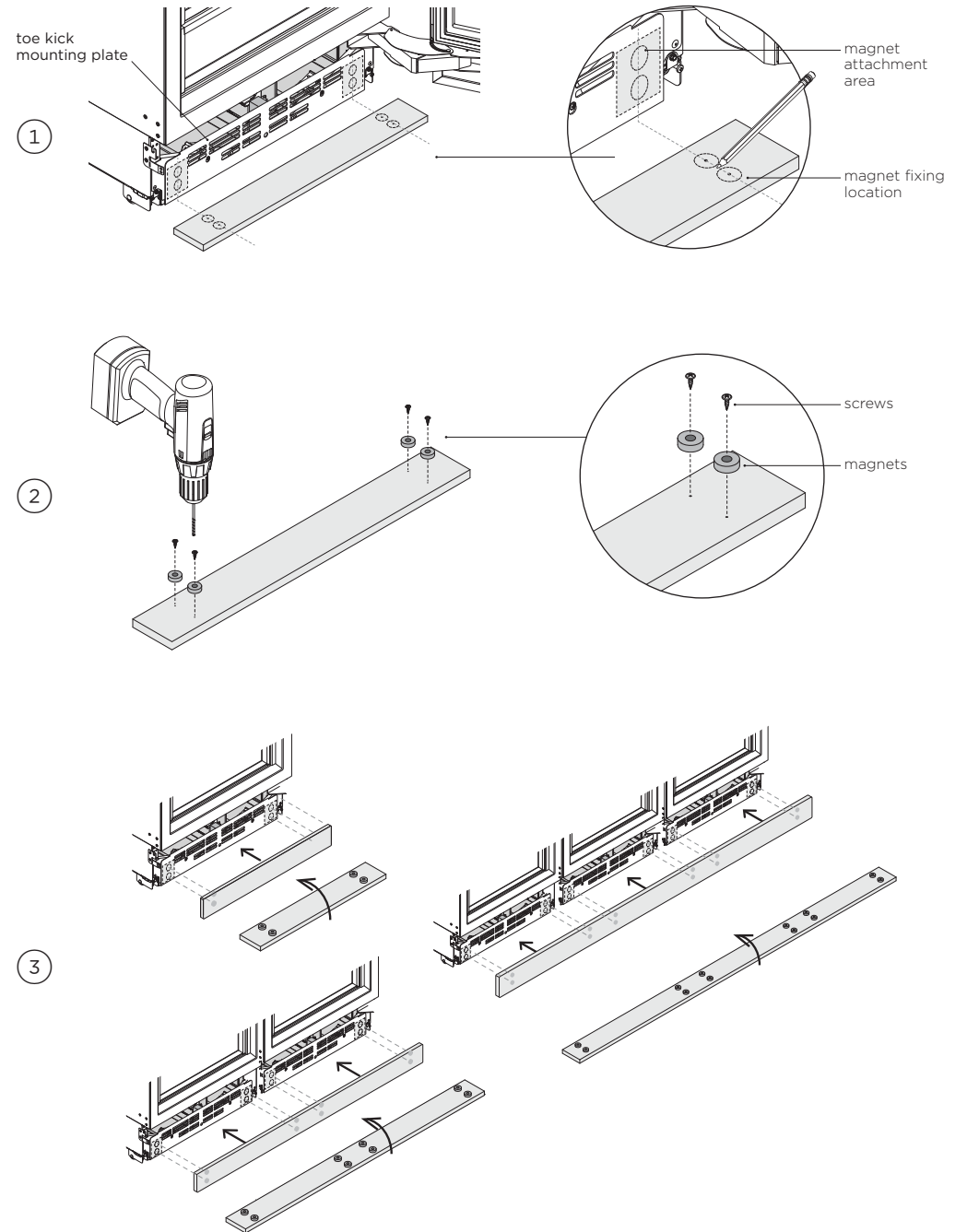


TOE KICK INSTALLATION

STAINLESS STEEL TOE KICK

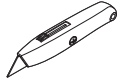


CUSTOM TOE KICK

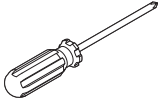


GRILLES INSTALLATION

Tools

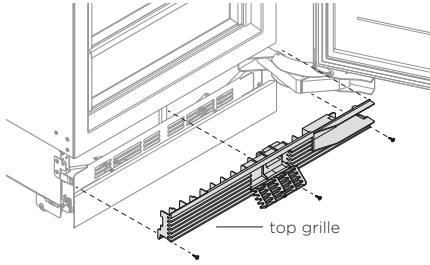


Cutter



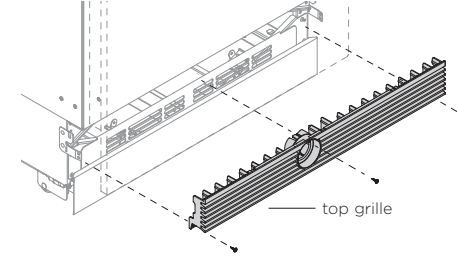
Cross-head screwdriver

Attaching the top grille



Refrigerator or Freezer/ Wine Cabinet

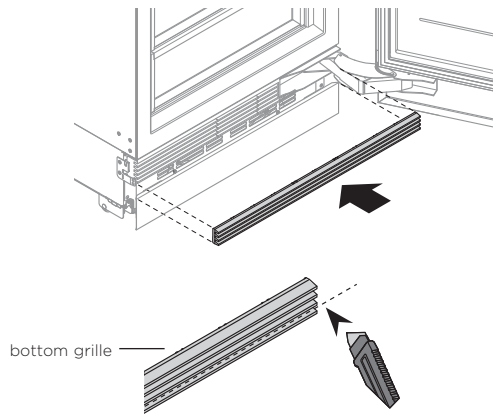
Open the door, and secure both ends of the grille and behind the water filter hatch with #8x16 screws.



Refrigerator-Freezer

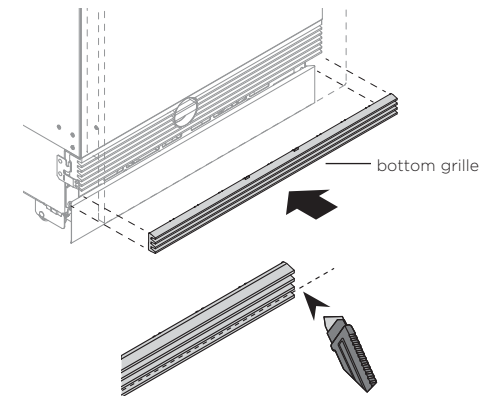
Reattach the top grille with #8x16 screws.

Attaching the bottom grille



Refrigerator or Freezer/ Wine Cabinet

Re-attach the bottom grille via magnets.



Refrigerator-Freezer

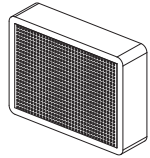
Re-attach the bottom grille via magnets.

For toe kick heights 4 1/2" - 5" (114 - 127mm), shorten the bottom grille by cutting along the vertical ribs.

CARBON FILTER INSTALLATION

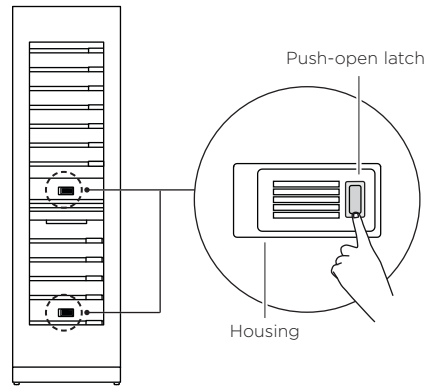
The carbon filter is used for Wine Cabinet models only, Ensure the cover is completely closed to prevent hatch or filter from being damaged. Replacement filters (862755) can be purchased online from fisherpaykel.com or by calling Fisher & Paykel Customer Care.

①



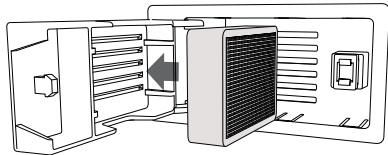
Remove the packaging of the filter.

②



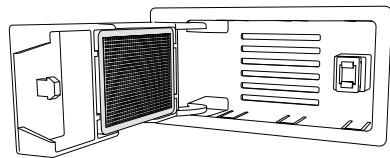
Open the cover of filter housing by pushing the latch.

③



Insert the carbon filter in the hatch.

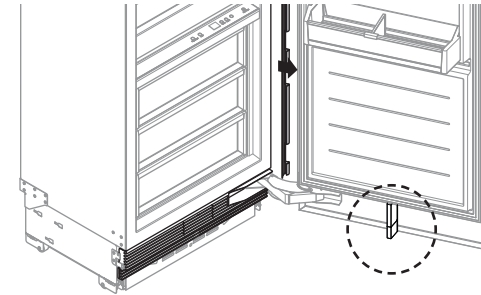
④



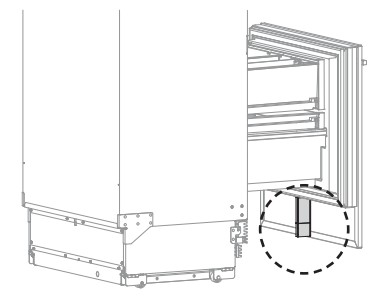
Push the filter gently into the hatch until flush, and then close the cover until it locks to the latch.

AIR FLOW DIVIDER INSTALLATION

The air flow divider blocks the air flow from bypassing the front of the bottom grille.

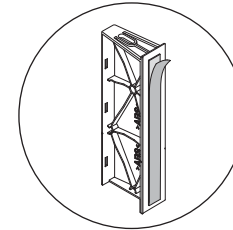


REFRIGERATOR & FREEZER / WINE CABINET



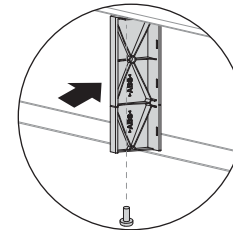
REFRIGERATOR—FREEZER

①



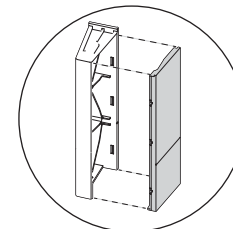
Remove the adhesive layer off the air flow divider.

②



Press the flow divider firmly against the bottom of the door/drawer panel. Ensure the adhesive layer side of the divider contacts the door panel. Secure the air flow divider to the panel with screw.

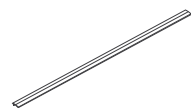
③



Attach a flow divider cap to the flow divider.

DOOR COVERS & TRIMS INSTALLATION

Trims install kit



Top door panel side extrusion (2x)



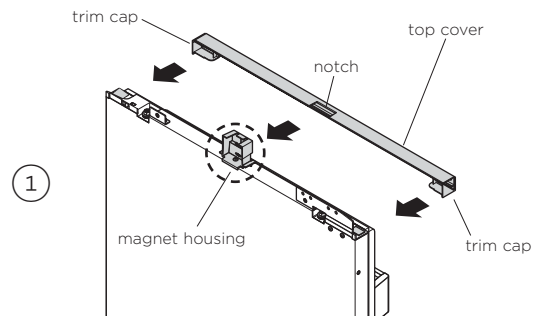
Bottom drawer panel side extrusion (2x)



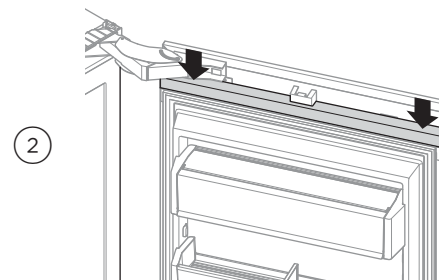
Bottom drawer top trim (1x)

Re-installing the top cover (for all models)

Remove the backing film of dual adhesive strips pre-attached to the top of the door. Ensure the magnet is in place before installing the top cover.



Align the top cover to the top of the door.
Clip the notch into the magnet housing, and the trim caps on top of the adhesive strips.

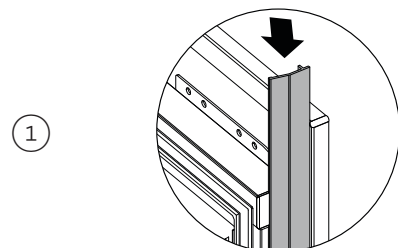


Press down both ends of the top cover to engage the trim caps on the adhesive strips.

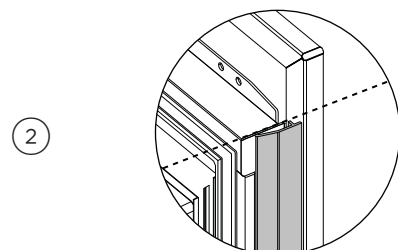
Ensure the magnet remains in place and not damaged as this will affect the operation of the appliance.

Installing the door side covers

Refrigerator, freezer and wine cabinet

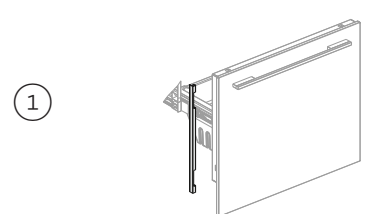


Insert door side covers into the gaps on the right and left sides of the drawer and slide downwards to clip into place. Press firmly to secure.

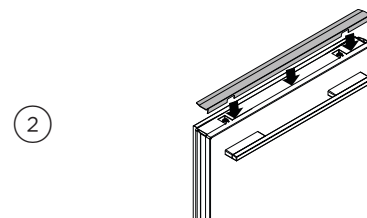


Ensure side cover is aligned with the top door panel extrusion.

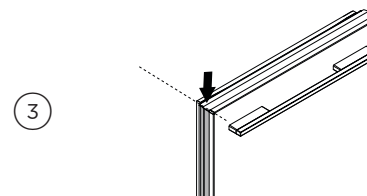
Refrigerator-freezer



Insert the drawer side covers into the panel gaps on the right and left sides of the drawer. Ensure the cabinet is centered to prevent the side covers from interfering with the cabinet.



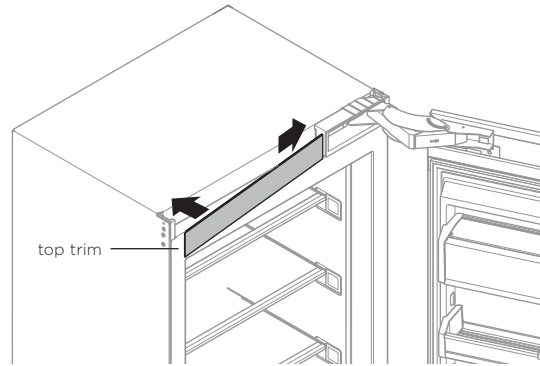
Align top trim to drawer and press down firmly to secure within panel bracket clips.



Ensure top trim is aligned with the drawer side covers.

TOP TRIM & HINGE POCKET COVERS INSTALLATION

installing the top trim (for all models)



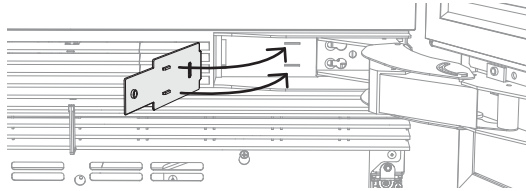
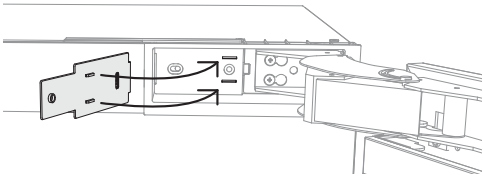
Slide one end of the top trim into the hinge pocket of the appliance.

Press the other end to engage the dual lock strips on the non-hinge side of the appliance.

installing the hinge pocket covers (for all models)

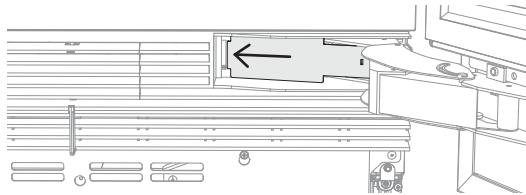
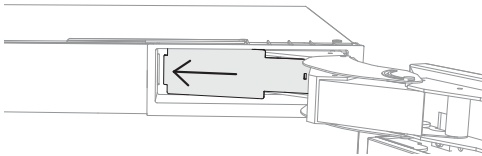
Follow the steps below to install the covers for the top, bottom or middle hinge pockets.

①



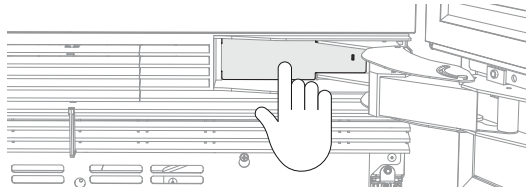
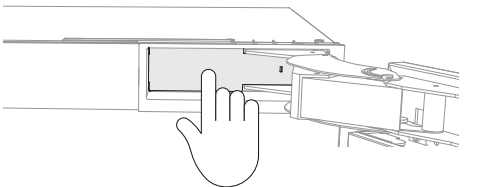
Place the hinge pocket cover to the hinge pocket, matching the studs on the cover to the slots in the hinge pocket.

②



Slide the cover inside the pocket.

③

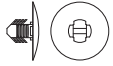


Press the pocket cover to ensure the cover clips into the pocket.

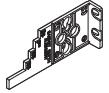
Your Integrated Installation is now complete!

MULTIPLE INSTALLATION — APPLIANCE PREPARATION

Install fasteners kit



Barbed plugs (2)

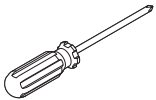


Cabinet depth alignment gauges (4)

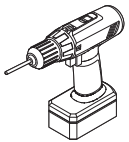


Flange joiners (2)

Tools



Cross-head screwdriver

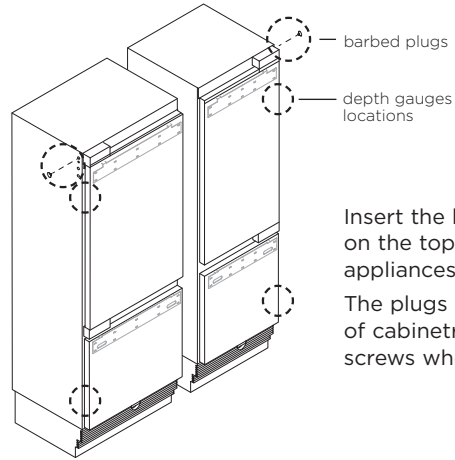


Powered driver (optional)



1/8" (3mm) Allen key

Attach barbed plugs and depth alignment gauges

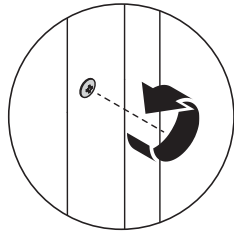


1

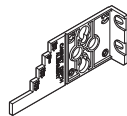
Insert the barbed plugs into large holes on the top right and left sides of both appliances.

The plugs protect the inside surface of cabinetry from being damaged by screws when pushing in the appliance.

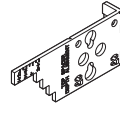
2



Loosen the right and left screws at the top and bottom sides of the door. Locate the alignment gauges at correct orientation to the right and left screws.



Left



Right

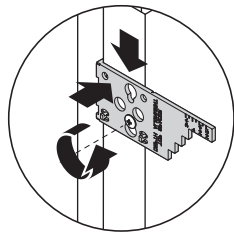
Place the alignment gauge by inserting the screw head through the keyhole of the gauge.

Push the alignment gauge down to lock the position.

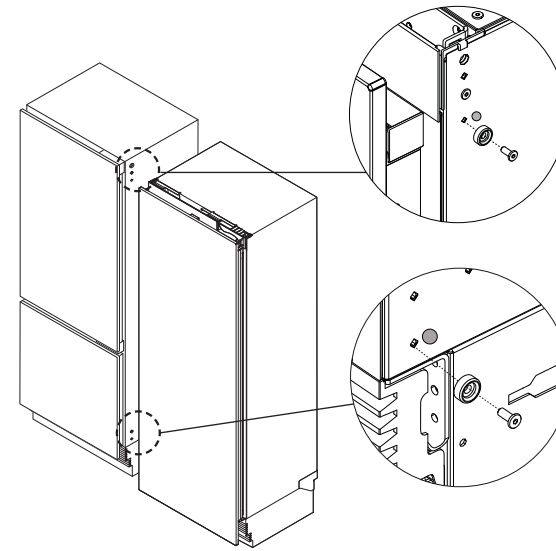
Tighten the screw just enough to firmly hold the gauge.

- The alignment gauges are only temporary and must be removed after installation.

3

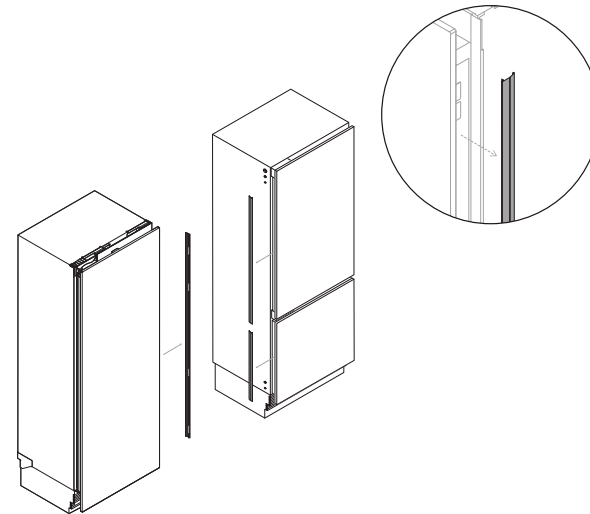


Add flange joiner



Remove bolts from the locations marked via the green labels on your appliance. Add the flange joiners, and tighten using a 1/8" (3mm) Allen key to secure.

Remove alcove trims



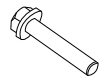
Remove alcove trims between adjacent products.

MULTIPLE INSTALLATION – JOIN PRODUCTS

Joiner fastener kit



Joiner Sleeve (2)



Bolt M5 HEX (2)

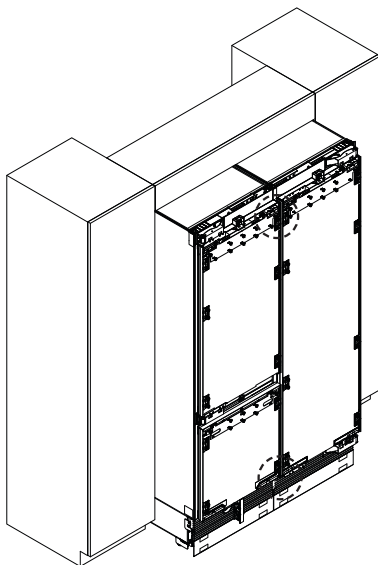


M6 Hex Nut (1)



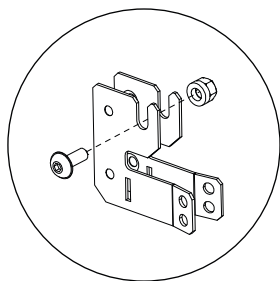
Screw WSH M6 (1)

Fit lower joiner bracket



Carefully roll both products halfway into cabinetry.

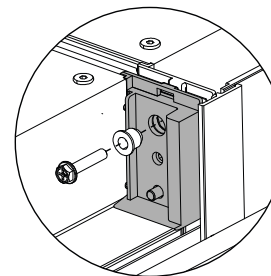
Take note of the upper and lower joiner locations illustrated.



Clamp the lower brackets together using the supplied M6 screw and Nut. Secure using a 3/16" (4mm) Allen key and 3/8" (10mm) spanner. Ensure brackets are clamped tightly before proceeding.

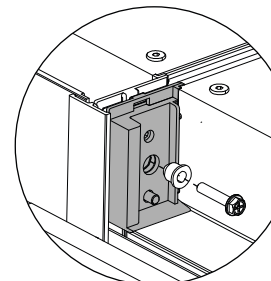
Fit upper joiner bracket

1



Clamp the upper brackets together by fitting the first the supplied M5 bolt and joiner sleeve. Tighten using a 5/16" (8mm) socket and Phillips screwdriver until the sleeve sits flush.

2



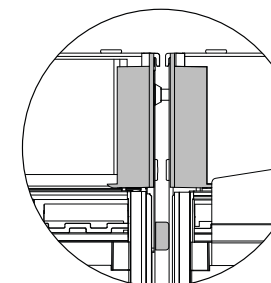
Handle to handle installations:

Fit the second supplied M5 bolt and joiner sleeve.

For handle to handle install, use two bolts from both sides.

For handle to hinge, only one joiner bolt from handle side be inserted.

3



Ensure the flange joiners contact the adjacent product as shown.

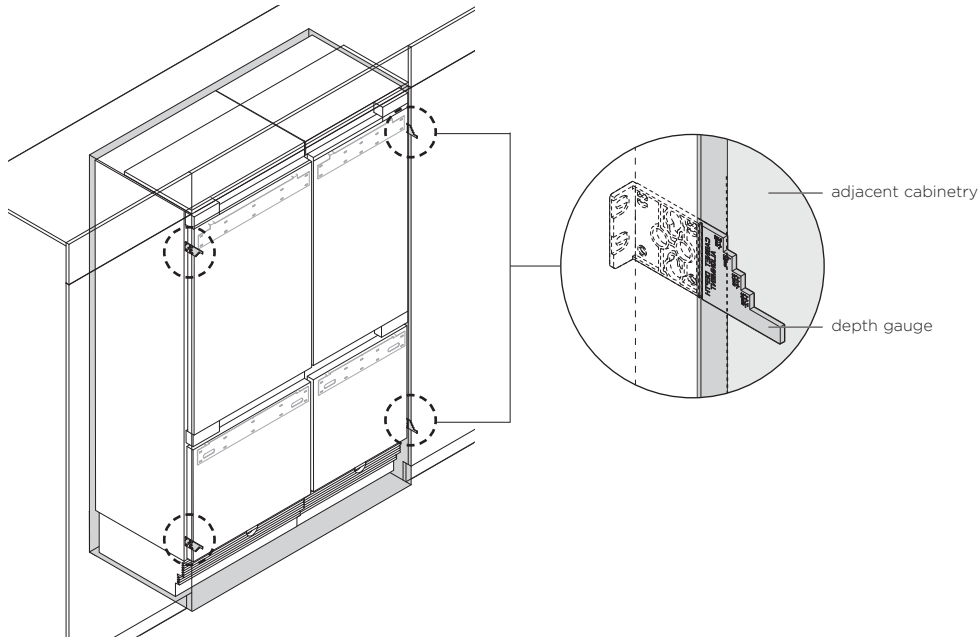
MULTIPLE INSTALLATION — ROLL INTO CABINETY

Tools



Ruler

Pushing into the cabinetry and aligning the depth gauges



- ① Carefully roll both products into cabinetry.
- ② Mark the step of depth gauge on the cabinetry sides of the doors based on the thickness of door panel.
Align the marked line flush with the front surface of the adjacent cabinetry.

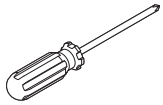
MULTIPLE INSTALLATION – LEVEL AND SECURE

Install fasteners kit

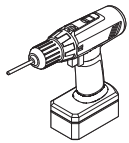


8Gx16 Countersunk screw (6)

Tools



Cross-head screwdriver



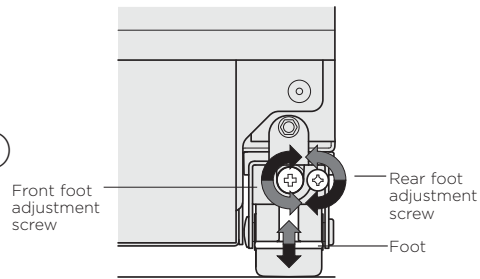
Powered driver (optional)



Ruler

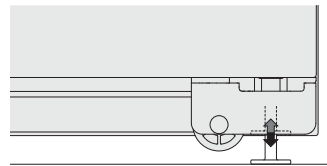
Adjusting alignment of appliance in cabinetry

1

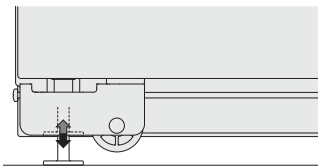


Turn the front and rear adjustment screws clockwise to raise height of the appliances and counter-clockwise to lower the height.

2

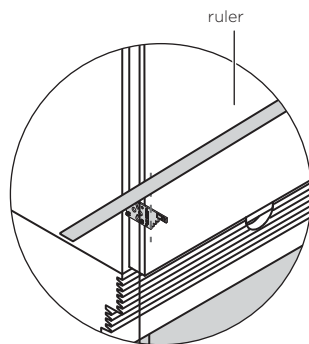


Beginning with the outside feet, turn the right hand screw to adjust the rear of the product followed by the lefthand screw to adjust the front. Once product is set in cavity, adjust the central feet.



Ensure feet engage with the floor and the upper bracket touches the alcove.

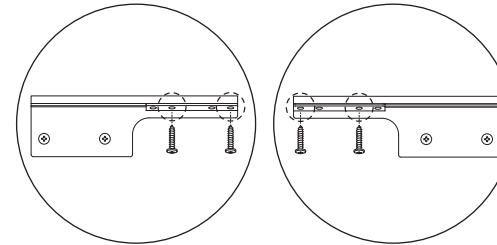
3



Check the alignment gauges while adjusting the screws to maintain the alignment of the appliance.

Using a ruler, check if the gaps between appliance and cabinetry side wall are even.

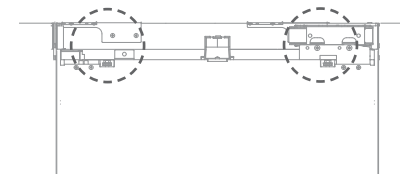
Securing the top brackets



Left top bracket

Right top bracket

1



Fix the left and right top brackets to the ceiling surface of the cabinetry with 8Gx16 countersunk screws.

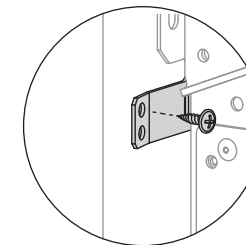
Securing the side brackets

2



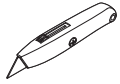
Left lower side bracket

Fix one lower side bracket to the cabinetry side surface with 8Gx16 countersunk screws.

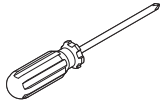


GRILLES INSTALLATION

Tools

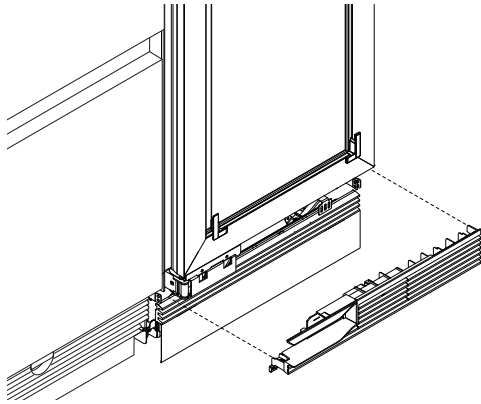


Cutter



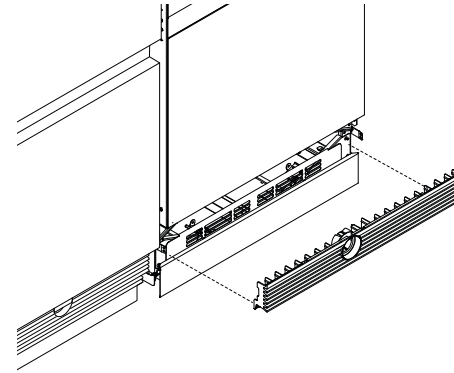
Cross-head screwdriver

Attaching the top grille



Refrigerator or Freezer/ Wine Cabinet

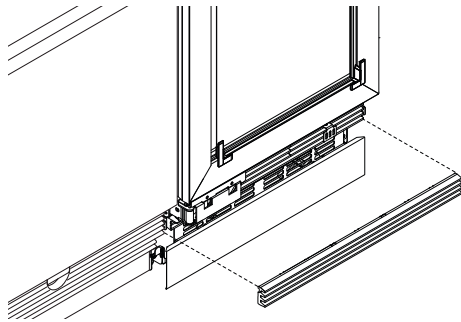
Open the door, and secure both ends of the grille and behind the water filter hatch with #8x16 screws.



Refrigerator-Freezer

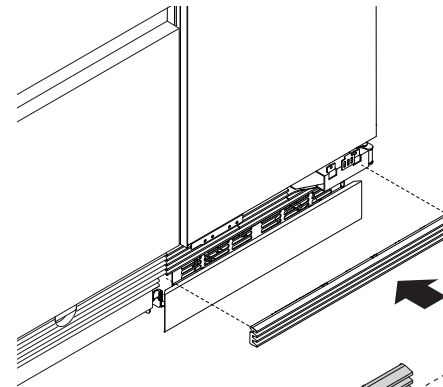
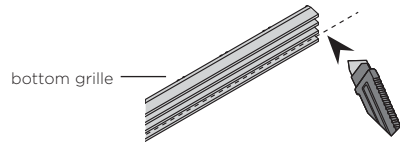
Reattach the top grille with #8x16 screws.

Attaching the bottom grille



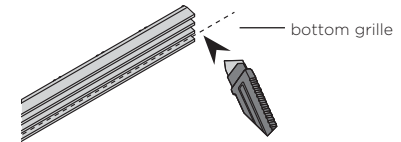
Refrigerator or Freezer/ Wine Cabinet

Re-attach the bottom grille via magnets.



Refrigerator-Freezer

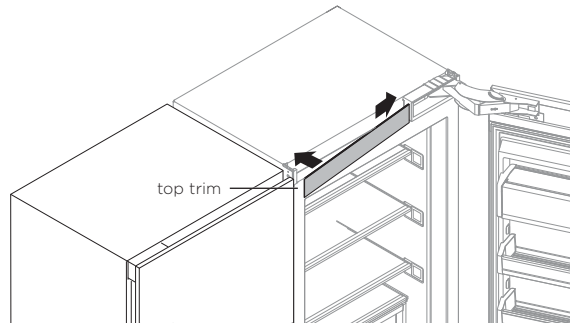
Re-attach the bottom grille via magnets.



For toe kick heights 4 1/2" - 5" (114 - 127mm), shorten the bottom grille by cutting along the vertical ribs.

MULTIPLE INSTALLATION – TOP TRIM & HINGE POCKET COVERS INSTALLATION

installing the top trim (for all models)



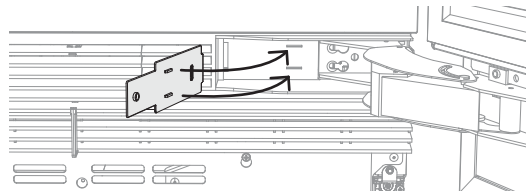
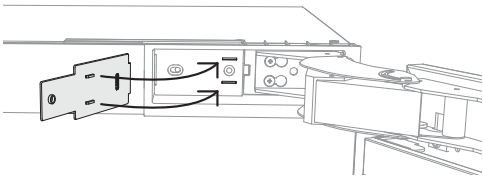
Slide one end of the top trim into the hinge pocket of the appliance.

Press the other end to engage the dual lock strips on the non-hinge side of the appliance.

installing the hinge pocket covers (for all models)

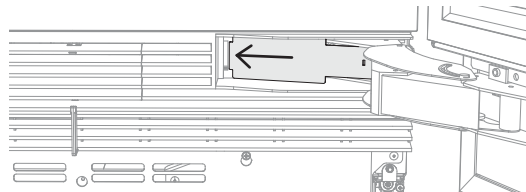
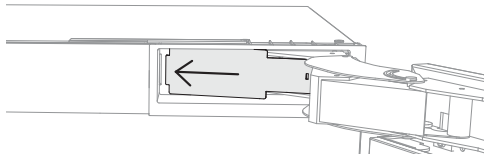
Follow the steps below to install the covers for the top, bottom or middle hinge pockets.

①



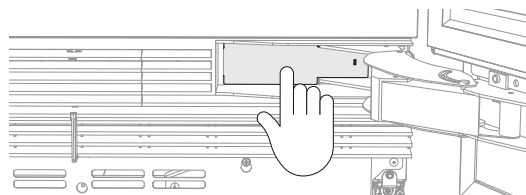
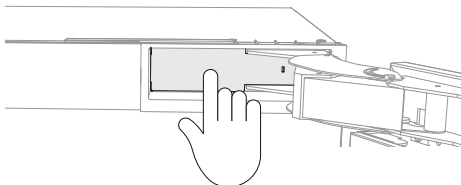
Place the hinge pocket cover to the hinge pocket, matching the studs on the cover to the slots in the hinge pocket.

②



Slide the cover inside the pocket.

③



Press the pocket cover to ensure the cover clips into the pocket.

Your Integrated Installation is now complete!

MULTIPLE INSTALLATION – INSTALL TRIMS

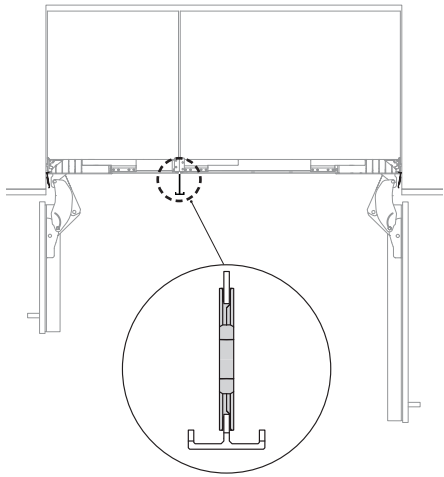
Tools



Aluminium centre trim (1x)

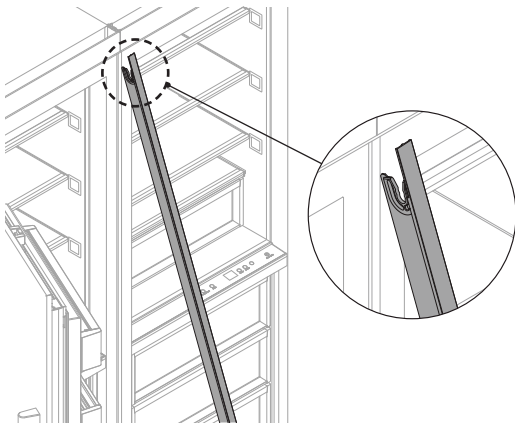
Install the centre trim

1



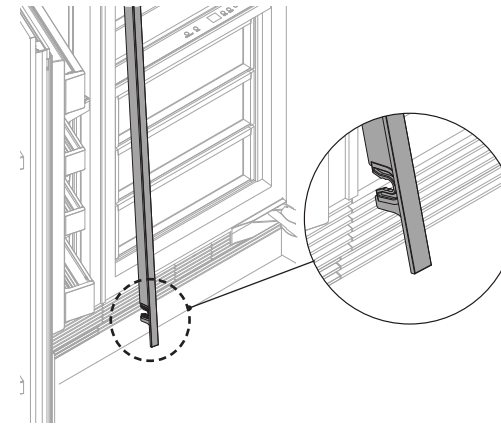
Position centre trim between products.

2



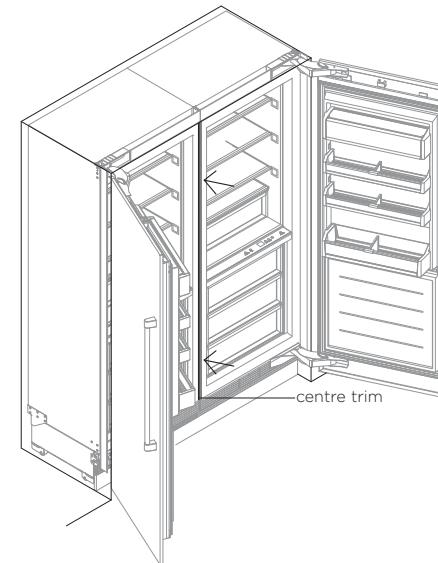
Push trim up into the upper bracket.

3



Push trim into the lower bracket.

4



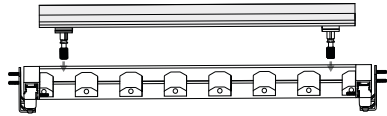
Press the centre trim to fix the position.

WINE DISPLAY FOR WINE CABINET (OPTIONAL)

Handle assembly

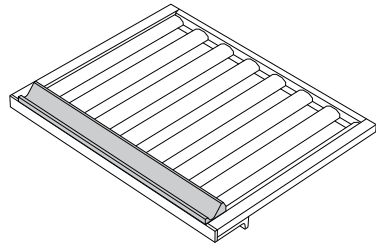
Retainer blocks are pre-assembled at the bottom of both ends of the handle.

①



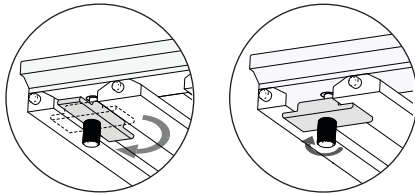
Loosen the screws until the retainer blocks can be inserted between slats of display rack.

②



Align handle to the front end of display rack.

③

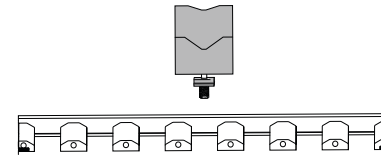


Rotate retainer block to lock position and tighten screw to lock handle in place.

Cradle assembly

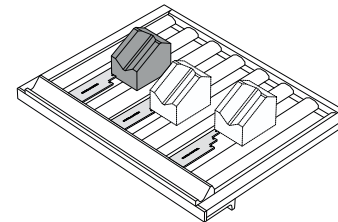
A retainer block is pre-assembled at the bottom of each cradle. Use a spacer to correctly position the cradle and avoid wine bottles being too upright resulting in bottles tipping over.

①



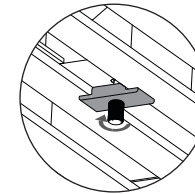
Insert retainer block at desired location between slats of display rack. Do not tighten.

②



Place 'cradle guide' on the slats behind the handle..
Align cradle on spacer based on size and type of wine bottle.

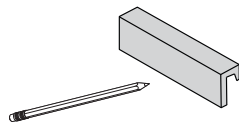
③



Rotate the retainer block to lock position, and tighten screw.
Remove cradle guide from the rack after use.

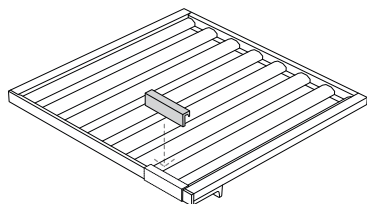
Wine label kit

①



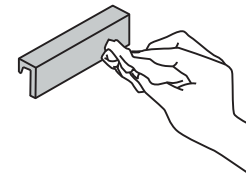
Write the name or type of wine on the label.

②



Fit label over front edge of rack to match displayed wine.

③

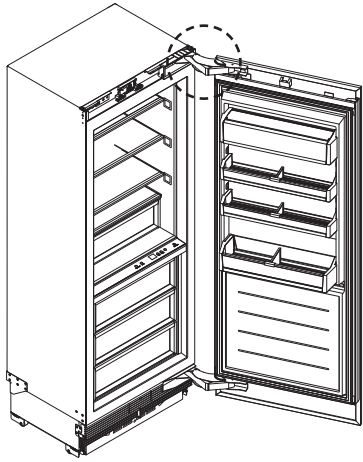


Wipe the labels with a damp cloth to erase.

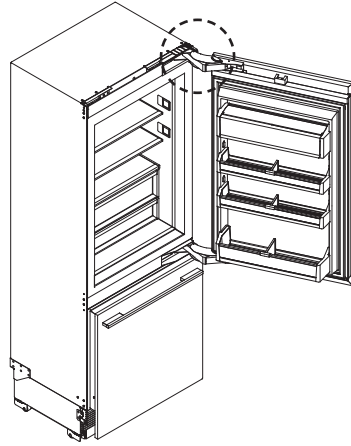
CHANGE THE DOOR HINGES (OPTIONAL)

You have the option to switch the door hinge side of your appliance from right hand hinge to left hand hinge or vice versa. A hinge change kit is required for this installation, and must be purchased separately. Ensure that you remove all the shelves, covers and trims from the appliance before changing the hinges. Take care not to damage the door.

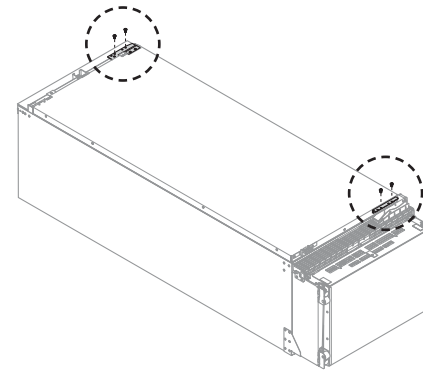
Detach the door



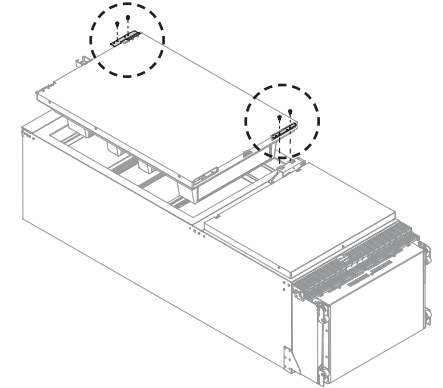
REFRIGERATOR & FREEZER / WINE CABINET



REFRIGERATOR-FREEZER

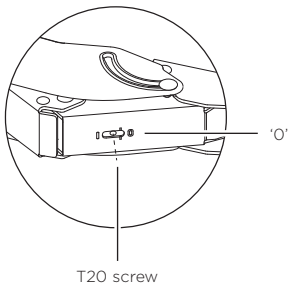


REFRIGERATOR & FREEZER / WINE CABINET



REFRIGERATOR-FREEZER

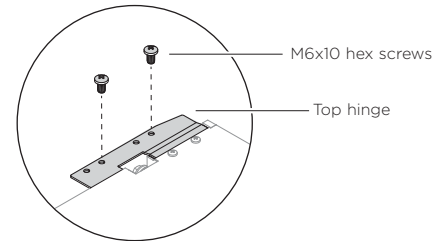
1



T20 screw

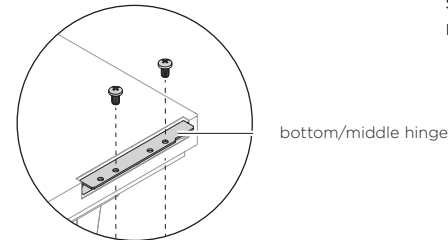
Release the hinge spring by turning the T20 screw in the hinge to the '0' position. Close the door and lay the appliance on its back on the pallet.

2



M6x10 hex screws

Top hinge

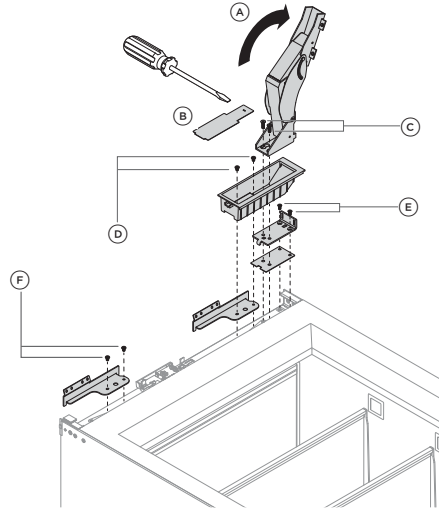


bottom/middle hinge

Detach the door from the appliance by unscrewing the door hinge M6x10 hex screws (4x) at the top hinge and bottom/middle hinge.

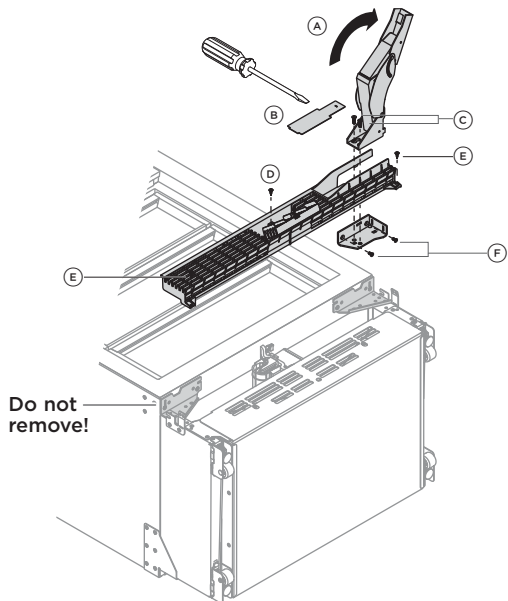
CHANGE THE DOOR HINGES (OPTIONAL)

Detach the top door hinge



- ① Rotate the top hinge (A) outwards and remove the top hinge pocket cover (B) using the flat head screwdriver in the slot of the cover.
- ② Unscrew M6x16 countersunk screws (C) to remove top hinge, and set aside to use later.
- ③ Unscrew M6x16 countersunk screws (D) from hinge pocket to remove hinge pocket and top alcove bracket.
- ④ Unscrew M5x12 countersunk screws (E) to remove top hinge bracket and spacer.
- ⑤ For the non-hinge side, remove the top alcove bracket by unscrewing the M6x16 countersunk screws (F).

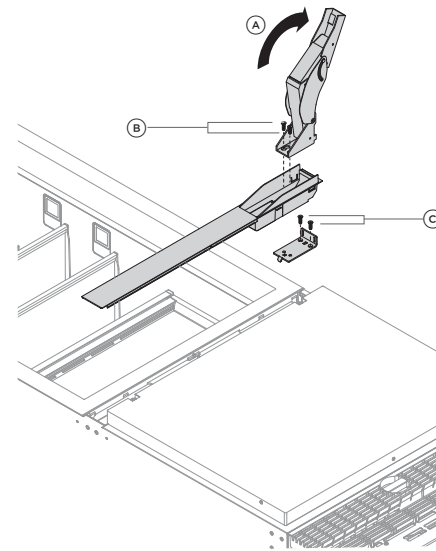
Detach the bottom door hinge — For Refrigerator & Freezer / Wine Cabinet



- ① Rotate the bottom hinge (A) outwards and remove bottom hinge pocket cover (B) using a flat head screwdriver in the slot.
- ② Remove the hinge by unscrewing the M6x16 countersunk screws (2x) (C).
- ③ Open the water filter hatch on the bottom grille and unscrew the #8x16 screw (D) while holding the grille in place.
- ④ Remove the bottom grille by unscrewing the #8x16 screws (E) from the bottom left and right of the grille.
- ⑤ Remove bottom hinge bracket by unscrewing M6x16 countersunk screws (F).

IMPORTANT!
Do not remove plinth-to-cabinet retention brackets!

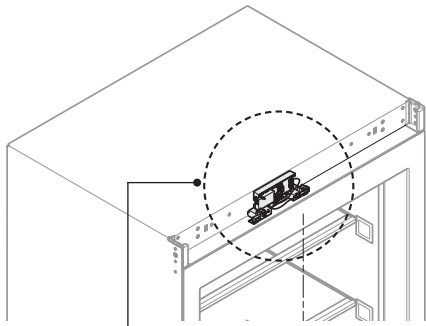
Detach the middle door hinge — For Refrigerator-Freezer



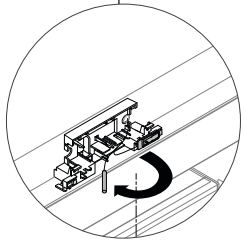
- ① Rotate the middle hinge (A) and unscrew M6x16 countersunk screws (B) to remove middle hinge, and set aside to use later.
- ② Unscrew M5x12 countersunk screws (C) to remove top hinge bracket and spacer.

CHANGE THE DOOR HINGES (OPTIONAL)

Move the sensor housing

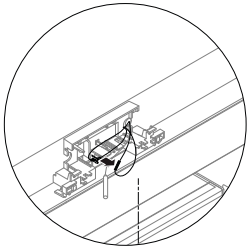


1



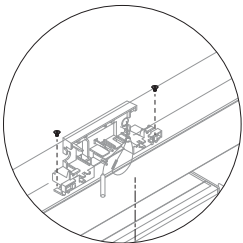
Unclip the hall sensor from the housing.

2

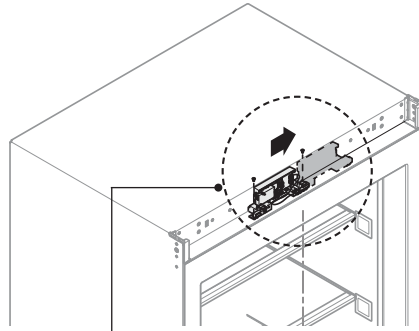


Unhook the interceptor board harness from sensor housing so harness is loose.

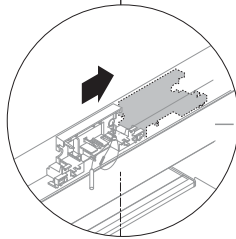
3



Remove the #8x16 screws (2x) from the sensor housing.

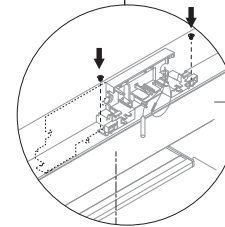


4



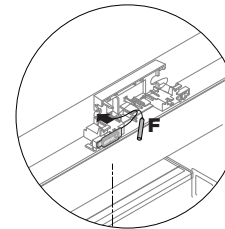
Move the sensor housing to align the opposite hall sensor clip with the centre of the cabinet.

5



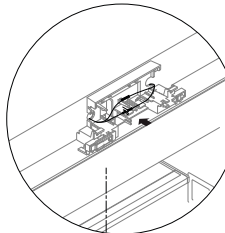
Reinstall the sensor housing using #8x16 screws (2x) into the pre-drilled holes in the cabinet top panel.

6



Clip the hall sensor into the sensor housing in the pocket closest to the centreline of the cabinet.

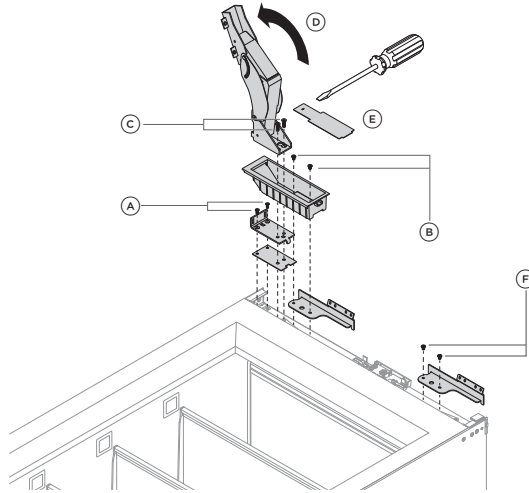
7



Press the harness from the interceptor board into the forks on the sensor housing.

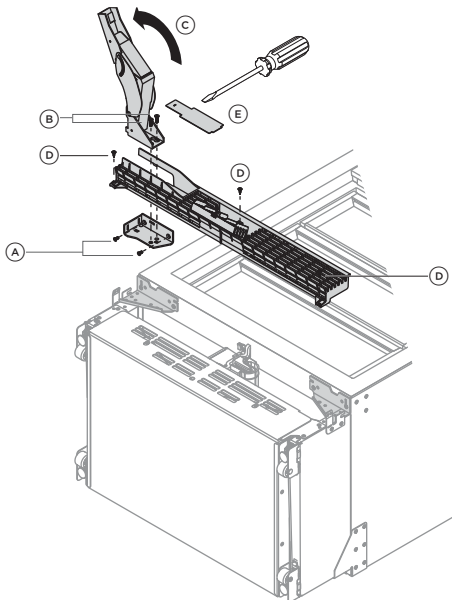
CHANGE THE DOOR HINGES (OPTIONAL)

Re-attach the top door hinge



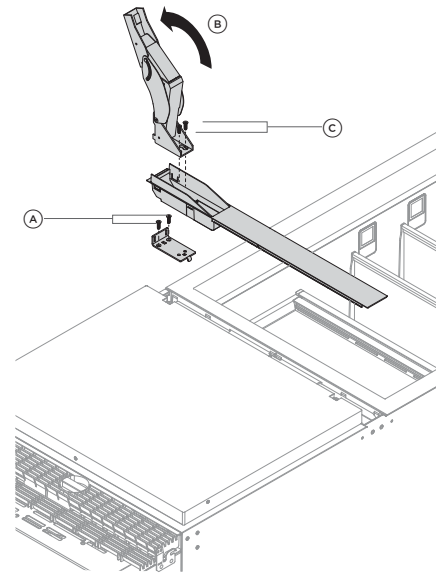
- ① Reinstall the hinge top bracket and bracket spacer with M5x12 countersunk screws (A) on the new hinge side at the other side of the appliance.
- ② Install the new hinge pocket and alcove top bracket on the new hinge side using two (2x) M6x16 countersunk screws (B).
 - The new hinge pocket and top alcove bracket are supplied with the hinge kit.
- ③ Install the new hinge in the new hinge pocket by screwing M6x16 countersunk screws (2x) (C).
- ④ Open the hinge (D) and clip the top hinge pocket cover (E) to the top hinge pocket.
- ⑤ Install a new top alcove bracket on the new non-hinge side (F).

Re-attach the bottom door hinge — Refrigerator or Freezer / Wine Cabinet



- ① Install a new lower hinge bracket on the new hinge side with M6x16 screws (2x) (A).
- ② Ensure that the tab on the top of the bracket inserts into the slot in the plinth front bracket.
- ③ Use the hinge that was removed from the top of the appliance and insert the tabs into the hinge lower bracket. Rotate the hinge into place and fix with M5x12 countersunk screws (2x) (B).
- ④ Open the hinge (C), and install the new top grille assembly.
- ⑤ Fasten in place with #8x16 screws (3x) (D). One each at the bottom left and right of the grille and one behind the water filter hatch.
- ⑥ Clip the bottom hinge pocket cover to the new hinge pocket (E).

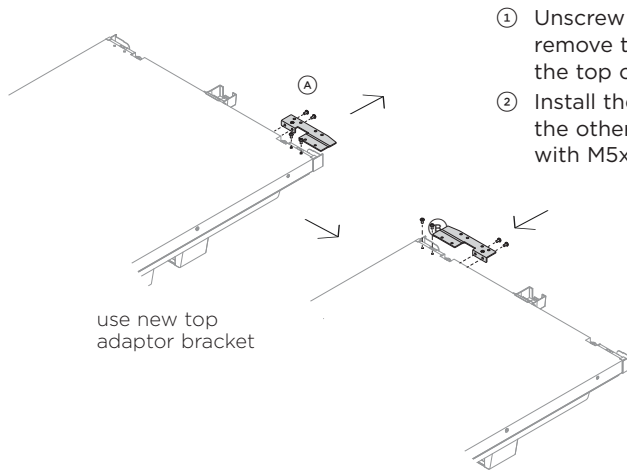
Re-attach the middle door hinge — wRefrigerator-Freezer



- ① Reinstall the middle hinge bracket and spacer with M5x12 countersunk screws (A).
- ② Open the middle hinge (B) and reinstall the hinge with M6x16 countersunk screws (C).

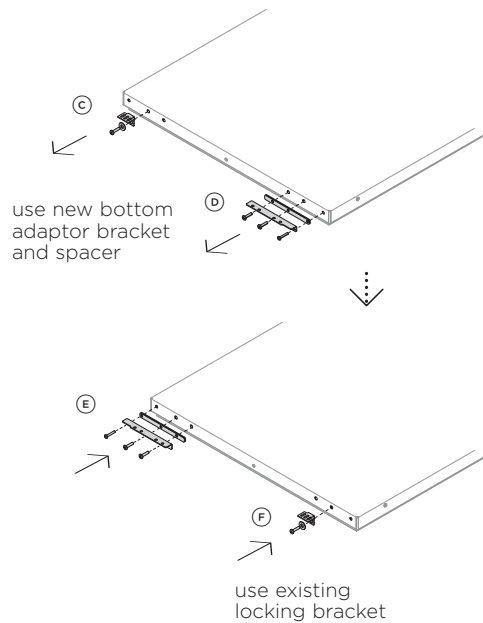
CHANGE THE DOOR HINGES (OPTIONAL)

Change the top door brackets



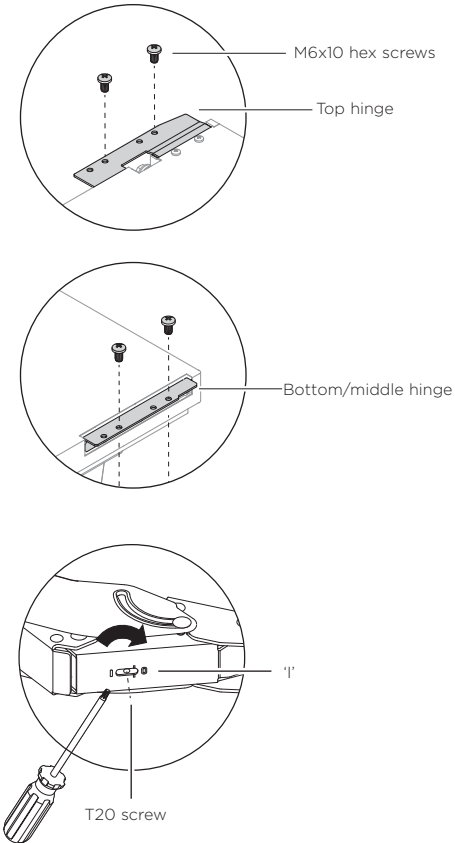
- ① Unscrew the M5x10 screws (4x) to remove the top adapter bracket from the top of the door (A).
- ② Install the new top adapter bracket into the other side of the top of the door with M5x10 screws (4x) (B).

Change the bottom door bracket



- ① Remove the door panel locking bracket and washer from the bottom of the door by unscrewing M6x25 screw (1x) (C).
- ② Remove the bottom adapter bracket and spacer from the bottom of the door by unscrewing M6x25 screws (2x) and M5x30 screw (1x) (D).
- ③ Install the new bottom adapter bracket and existing spacer to the other side of the door with M6x25 screws (2x) and M5x30 screw (1x) (E).
- ④ Install the existing door panel locking bracket and washer to the other side of the door with M6x25 screw (1x) (F).

Reinstall the door



- ① Secure the door to the top hinge and bottom/middle hinge with M6x10 hex screws (4x).


- ② Activate the hinge spring by turning the star T20 screws to the I position.
- ③ Return the appliance to the upright position, and reinstall all covers and trims.

FINAL CHECKLIST

TO BE COMPLETED BY THE INSTALLER

All models

- Cabinet Level:** Ensure the appliance is level and dimensions accurate. Refer to 'Cabinetry Dimensions', pages 14-15.
- Anti-tip:** Ensure the appliance is securely fastened to the cabinetry with the supplied anti-tip bracket and fittings. Refer to 'Cavity preparation', page 30.
- Door panel/and toe kick:** Ensure door panel/s and toe kick are attached securely and properly aligned; Refer to 'Door panel installation', pages 41-43, and 'Toe kick installation', pages 43-45.
- Doors closing freely:** Ensure the door/drawer can open and close freely with no resistance from surrounding cabinetry or product. Refer to 'Door clearance' and 'Drawer clearance', page 21.
- Hinge pin:** Ensure hinge limiting pin is fitted for 90° door swing. Refer to 'Door clearance', page 21.
- Vent clearance:** Ensure the cabinet installation provides the minimum vent clearance required. Check that the gap between the bottom of the door panel and the ground is at least 2" (50mm). Refer to 'Product Dimensions', page 13.
- Installation trims:** Check all Installation Trims are present and fitted securely.

- Door opening sensor:** Ensure magnets and sensors are correctly installed by checking that the door alarm is not beeping and that compartment lights are on when door is opened.
- Packaging:** Ensure all internal and external packaging has been removed. Refer to 'Before installation', page 28.
- Fault codes:** Ensure no error codes are shown.
- Installation mode:** Ensure the Installation Mode is de-activated (hold on Compartment  button for 4 sec. Refer to 'Power and water supply connection', page 37.
- User guide:** Check the User Guide is inside the product in a visible area for the customer.

For products with water only or Ice and water function

- Ice maker:** Turn ice maker ON. Force a manual ice maker cycle by pressing the (alarm symbol), - & + buttons together for 4 seconds then close the door(s). The ice tray will fill and empty into the bin below, dry the bin and return it correctly. Refer to page 19 of your User Guide.
- Dispenser:** Ensure the water is flowing through the system using the dispenser pad. Refer to page 18 of your User Guide.

Complete and keep for safe reference:

Model _____

Serial No. _____

Purchase Date _____

Purchaser _____

Dealer Address _____

Installer's Name _____

Installer's Signature _____

Installation Company _____

Installation Date _____

FISHERPAYKEL.COM

© Fisher & Paykel Appliances 2024. All rights reserved.

The models shown in this guide may not be available in all markets
and are subject to change at any time.

The product specifications in this guide apply to the specific products and
models described at the date of issue. Under our policy of continuous product
improvement, these specifications may change at any time.

For current details about model and specification availability in your country,
please go to our website or contact your local Fisher & Paykel dealer.

866169C 12.24