

# Integrated Single DishDrawer Dishwasher, Sanitise

Series 9 | Integrated

Panel Ready

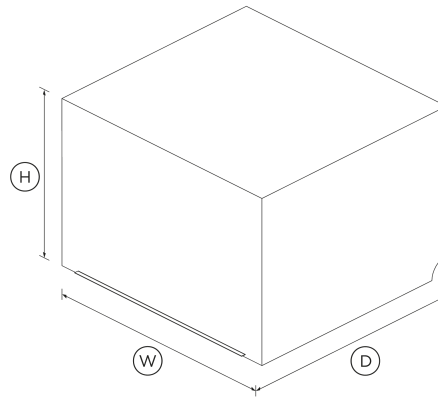


Integrating into your kitchen design seamlessly, each drawer fits a half load that you can load and wash independently.

- Knock to pause function is perfect if you miss a dish
- Six wash programs, as well as additional Quick wash, Sanitise and Extra Dry options
- Flexible racking can be folded down to fit bigger dishes
- Customise with your own front panel and handle to match your kitchen cabinetry, or choose our stainless steel panel

## DIMENSIONS

|        |        |
|--------|--------|
| Height | 410 mm |
| Width  | 599 mm |
| Depth  | 553 mm |



## FEATURES & BENEFITS

### Seamless Integration

Slide your DishDrawer™ Dishwasher into an existing kitchen space or integrate into kitchen cabinetry, for a seamless look whilst delivering superior dish care.

### Ease Of Use

DishDrawer™ Dishwashers are as easy to open and close as kitchen drawers, making loading dishes simple. Flexible racking allows you to make adjustments to fit in a variety of dishes.

### Quick, Sanitise And Extra Dry Options

The Quick wash modifier delivers a faster wash while maintaining performance. The Sanitise option provides extra protection killing 99.9% of bacteria in the final rinse. The Extra Dry setting is perfect for plastic dishes.

### KNOCK TO PAUSE

These DishDrawer™ Dishwashers have a knock to pause function. A knock on the front panel will pause the dishwasher which can be re-started again by using the start/play button.

### Quiet Performer

Running at a very low decibel rate, these DishDrawer™ Dishwashers do their job without making a fuss. The combination of intelligent technology and simple mechanics means greater reliability and excellent wash performance.

## SPECIFICATIONS

### Accessories (included)

- Cutlery basket
- Knife clip and multipurpose clip

### Accessories (sold separately)

|  |              |
|--|--------------|
| Door panel black stainless steel         | ADDD60SPB    |
| Door panel stainless steel               | ADDD60SPX    |
| Handle kit Contemporary round, aluminium | AHS-OBDD-60S |

|  |                       |
|--|-----------------------|
| Handle kit Contemporary square fine, aluminium | <b>AHD5-OBDD-60SX</b> |
| Handle kit Contemporary square fine, black     | <b>AHD5-OBDD-60SB</b> |
| Handle kit Contemporary square, aluminium      | <b>AHD3-OBDD-60S</b>  |
| Handle kit Contemporary square, black          | <b>AHD3-OBDD-60B</b>  |

**Capacity and loading**

|                                      |              |
|--------------------------------------|--------------|
| Accommodates round plates up to      | <b>280mm</b> |
| Adjustable height, foldable cupracks | •            |
| Fold down tines                      | •            |
| Pitch adjustable tines               | •            |
| Place settings                       | <b>6</b>     |

**Consumption**

|                              |                         |
|------------------------------|-------------------------|
| Energy rating                | <b>F</b>                |
| Energy usage                 | <b>61kWh/100 cycles</b> |
| Water usage (per wash cycle) | <b>7.9L</b>             |

**Controls**

|  |   |
|--|---|
| Electronic fault/Diagnostic indicator              | • |
| End of cycle beeps                                 | • |
| Energy saving delay start option of up to 12 hours | • |
| Internal wash selector                             | • |
| Keylock  | • |
| Knock to pause                                     | • |
| Rinse aid indicator light                          | • |
| Smart appliance                                    | • |
| Wi-Fi connectivity                                 | • |

**Features**

|                                  |   |
|----------------------------------|---|
| Built-in water softener          | • |
| Fan assisted drying              | • |
| Flood protection                 | • |
| Flow through detergent dispenser | • |
| Quiet operation                  | • |
| SmartDrive™ technology           | • |

**Performance**

|                 |               |
|-----------------|---------------|
| Noise emissions | <b>42 dBA</b> |
|-----------------|---------------|

**Power requirements**

|                  |                   |
|------------------|-------------------|
| Amperage         | <b>5A</b>         |
| Supply frequency | <b>50Hz</b>       |
| Supply voltage   | <b>220 - 240V</b> |

**Product dimensions**

|        |               |
|--------|---------------|
| Depth  | <b>553 mm</b> |
| Height | <b>410 mm</b> |
| Width  | <b>599 mm</b> |

**Warranty**

|                  |                |
|------------------|----------------|
| Parts and labour | <b>2 years</b> |
|------------------|----------------|

**Wash Program Modifiers**

|           |   |
|-----------|---|
| Extra Dry | • |
|-----------|---|

|                |          |
|----------------|----------|
| Quick          | •        |
| Sanitise       | •        |
| Wash modifiers | <b>3</b> |

**Wash Programs**

|               |          |
|---------------|----------|
| Delicate      | •        |
| Eco           | •        |
| Fast          | •        |
| Heavy         | •        |
| Medium        | •        |
| Rinse         | •        |
| Wash programs | <b>6</b> |

**Water connection**

|                |   |
|----------------|---|
| Water pressure | <b>100kPa - 1000kPa</b>                           |
| Water supply   | <b>3/4" BSP (20mm) Connector Water Inlet Hose</b> |

|     |              |
|-----|--------------|
| SKU | <b>82362</b> |
|-----|--------------|

The product dimensions and specifications in this page apply to the specific product and model. Under our policy of continuous improvement, these dimensions and specifications may change at any time. You should therefore check with Fisher & Paykel's Customer Care Centre to ensure this page correctly describes the model currently available. © Fisher & Paykel Appliances Ltd 2020

**Other product downloads available at [fisherpaykel.com](https://fisherpaykel.com)**

- [↓ 2D-DWG Integrated Single DishDrawer™ Dishwasher](#)
- [↓ 2D-DXF Integrated Single DishDrawer™ Dishwasher](#)
- [↓ Data Sheet Integrated Single DishDrawer™ Dishwasher](#)
- [↓ Energy Rating](#)
- [↓ Energy Label](#)
- [↓ Service & Warranty](#)
- [↓ Installationsvejledning DA](#)
- [↓ Installationsanleitung DE](#)
- [↓ Installatie gids DUT](#)
- [↓ Installation Guide Single DishDrawer™ Dishwasher](#)
- [↓ Guía de instalación ES](#)
- [↓ Asennusopas FI](#)
- [↓ Guide d'installation FR](#)
- [↓ 安装说明书 HE](#)
- [↓ Guida D'Installazione IT](#)
- [↓ Installasjonsveiledning NO](#)
- [↓ Guía de instalación ES](#)
- [↓ Installationsguide SV](#)
- [↓ Quick Start Guide DishDrawer™ Dishwasher DA](#)
- [↓ Quick Start Guide](#)
- [↓ Quick Start Guide DishDrawer™ Dishwasher DEU](#)
- [↓ Quick Start Guide DishDrawer™ Dishwasher DUT](#)
- [↓ Quick Start Guide DishDrawer™ Dishwasher DUT](#)
- [↓ Quick Start Guide DishDrawer™ Dishwasher ES](#)
- [↓ Quick Start Guide DishDrawer™ Dishwasher ES](#)
- [↓ Quick Start Guide DishDrawer™ Dishwasher FIN](#)
- [↓ Quick Start Guide DishDrawer™ Dishwasher FIN](#)
- [↓ Quick Start Guide DishDrawer™ Dishwasher FR](#)
- [↓ Quick Start Guide DishDrawer™ Dishwasher HEB](#)
- [↓ Quick Start Guide DishDrawer™ Dishwasher HEB](#)
- [↓ Quick Start Guide DishDrawer™ Dishwasher ITA](#)
- [↓ Quick Start Guide DishDrawer™ Dishwasher ITA](#)
- [↓ Quick Start Guide DishDrawer™ Dishwasher NOR](#)
- [↓ Quick Start Guide DishDrawer™ Dishwasher SWE](#)
- [↓ Revit Integrated Single DishDrawer™ Dishwasher](#)

- [↓ Rhino Integrated Single DishDrawer™ Dishwasher](#)
- [↓ Rhino Integrated Single DishDrawer™ Dishwasher with Door Panel and Contemporary Square Handle](#)
- [↓ Sketchup Integrated Single DishDrawer™ Dishwasher](#)
- [↓ Sketchup Integrated Single DishDrawer™ Dishwasher with Door Panel and Contemporary Square Handle](#)
- [↓ Specification Guide Integrated Single DishDrawer™ Dishwasher](#)
- [↓ User Guide Integrated DishDrawer™ Dishwasher](#)
- [↓ Wash Program Data DishDrawer™ Dishwasher EN](#)
- [↓ Wash Program Data Sheet EN](#)

**Where applicable:**

All appliances use energy, and energy usage typically generates carbon emissions. **Fisher & Paykel Appliances' In-use Energy Carbon Emissions Estimate** indicates carbon emissions from a product's in-use energy. This is calculated either annually or per cycle, using the product's market-specific energy label energy consumption data multiplied by the carbon emissions factor for energy in your country or region.

Our In-use Energy Carbon Emissions Estimate is designed to assist customers in making informed purchasing decisions when comparing different Fisher & Paykel products. For example, a heat pump dryer typically has a lower In-use Energy Carbon Emissions Estimate than a vented dryer.



**A PEACE OF MIND SALE**  
**24 Hours 7 Days a Week Customer Support**

T 08000886605 W [www.fisherpaykel.com](http://www.fisherpaykel.com)