

# Freestanding Range Cooker, Dual Fuel, 90cm, 5 Burners

Series 7 | Classic

Black

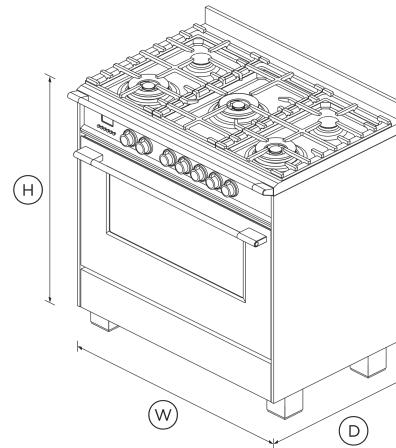


Get the best of both worlds with dual fuel. A gas hob with wok burner is paired with a nine-function convection oven.

- Five burner gas hob, with precise heat control
- Convection oven with 140L total capacity and nine oven functions including Pastry Bake with pizza mode and rapid proof for making bread
- Non-tip full-extension shelves for safe removal of hot dishes

## DIMENSIONS

Height	898 - 946 mm
Width	897 mm
Depth	600 mm



## FEATURES & BENEFITS

### Multi-Shelf Cooking

Our AeroTech™ system circulates air evenly throughout the entire oven so dishes on the top shelf turn out just as perfectly as food cooking on the bottom shelf.

### Quality And Durability

Every detail has been carefully crafted. The solid, perfectly balanced soft-close door, durable hob trivets and glowing halo dials all add up to an exceptional, premium range.

### Burner Power & Control

Instant and immediate control from the highest to the gentlest heat. The finely tuned hob controls let you sear, stir fry or simmer a delicate sauce to perfection.

### Large Capacity Oven

The generous 140L total capacity oven gives you plenty of space to cook multiple dishes at once.

### Easy To Clean

Your hob simply needs a quick wipe to keep it looking good as new for years to come, as the gas hob is made from a single piece of stainless steel that contains spills. The oven door, its inner pane of glass and runners can also be removed for easy cleaning.

### Even Heat

Accurate, electronically-controlled oven heat ensures a great result every time.

## SPECIFICATIONS

### Accessories (included)

Chromed shelf runners	1 set
Flat wire shelf	1
Full extension sliding shelves	1 set (part 578744)
Full extension telescopic shelves	1 set (part 578744)
Grill rack	true
Roasting dish	1
Small pot support	1 (part 533981 cast)
Step down wire shelf	•

### Accessories (sold separately)

Kick strip, stainless steel (optional)	<b>KICKOR90B1</b>	Energy usage	<b>1.46kWh/cycle</b>	<b>Oven functions</b>	
<hr/>		<hr/>		Bake	•
<b>Burner ratings</b>		<b>Controls</b>		Classic bake	•
Dual wok burner inner/outer (LPG)	<b>0.3 - 4.5kW</b>	Audio feedback	•	Energy slow cook	•
Dual wok burner inner/outer (natural gas)	<b>0.4 - 4.5kW</b>	Automatic cooking/minute timer	•	Fan bake	•
Maximum burner power	<b>4.5kW</b>	Automatic pre-set temperatures	•	Fan forced	•
Semi-rapid burner (LPG)	<b>1.2kW</b>	Celsius/Fahrenheit temperature	•	fanGrill	•
Semi-rapid burner (natural gas)	<b>1.75kW</b>	Electronic clock	•	Grill	•
Total cooktop power	<b>14.9kW</b>	Laser etched graphics	•	Number of functions	<b>9</b>
Triple ring wok burner (LPG) x2	<b>4.0kW</b>	Precise electronic temperature control	•	Pastry Bake with Pizza mode	•
Triple ring wok burner (natural gas) x2	<b>4.0kW</b>	Sabbath mode	•	Rapid proof	•
<hr/>		Turned stainless steel clock buttons	•	Roast	•
<b>Capacity</b>		<hr/>		True convection	•
Shelf positions	<b>6</b>	<b>Installation Dimensions</b>		<hr/>	
Shelf positions (main oven)	<b>6</b>	Installation cutout dimensions (Depth)	<b>600 mm</b>	<b>Oven performance</b>	
Total capacity	<b>140 L</b>	Installation cutout dimensions (Width)	<b>900 mm</b>	CoolTouch door	<b>Quadruple glazed</b>
Usable capacity	<b>120 L</b>	<hr/>		<hr/>	
Usable capacity (main oven)	<b>120 L</b>	<b>Oven features</b>		<b>Power requirements</b>	
<hr/>		AeroTech™ technology	•	Amperage	<b>22 A</b>
<b>Cleaning</b>		Automatic rapid pre-heat	•	Supply frequency	<b>50 Hz</b>
Acid resistant graphite enamel	•	Bright chromed, cast zinc dials with illuminated halos	•	<hr/>	
Drop down grill element	•	Electronic oven control	•	<b>Product dimensions</b>	
Removable oven door	•	Full extension telescopic sliding shelves	•	Depth	<b>600 mm</b>
Removable oven door inner glass	•	Internal light	<b>4 x 25W halogen (2 side &amp; 2 top)</b>	Height	<b>898 - 946 mm</b>
Removable shelf runners	•	Soft open/close door	•	Width	<b>897 mm</b>
<hr/>		Storage drawer	•	<hr/>	
<b>Consumption</b>		Twin cavity fans	•	<b>Rangetop features</b>	
<hr/>		<hr/>		<hr/>	

Hob rail	•
Hob rear trim	<b>60 mm</b>
LPG / Natural Gas compatible	•
Sealed range top	•

The product dimensions and specifications in this page apply to the specific product and model. Under our policy of continuous improvement, these dimensions and specifications may change at any time. You should therefore check with Fisher & Paykel's Customer Care Centre to ensure this page correctly describes the model currently available. © Fisher & Paykel Appliances Ltd 2020



**A PEACE OF MIND SALE**  
**24 Hours 7 Days a Week Customer Support**  
 T 08000 886 605 Wwww.fisherpaykel.com

**Rangetop Performance**

Number of burners	<b>5</b>
-------------------	----------

**Other product downloads available at fisherpaykel.com**

- [↓ Declaration of Conformity](#)
- [↓ Energy Label Dual Fuel Cooker](#)
- [↓ Energy Rating](#)
- [↓ Service & Warranty](#)
- [↓ Installation Guide](#)
- [↓ Installation Guide - Kick Strip](#)
- [↓ Product Information Sheet](#)
- [↓ Product Fiche](#)
- [↓ User Guide Dual Fuel Cooker](#)

**Safety**

Advanced cooling system	•
Anti-tilt bracket	•
Balanced oven door	•
CoolTouch door	•
Flame failure system	•
Full extension telescopic shelves	<b>1 set (part 578744)</b>
Full extension telescopic sliding shelves	•
Non-tip shelves	•
Spill containment	<b>26 L</b>

**Where applicable:**

All appliances use energy, and energy usage typically generates carbon emissions. **Fisher & Paykel Appliances' In-use Energy Carbon Emissions Estimate** indicates carbon emissions from a product's in-use energy. This is calculated either annually or per cycle, using the product's market-specific energy label energy consumption data multiplied by the carbon emissions factor for energy in your country or region.

Our In-use Energy Carbon Emissions Estimate is designed to assist customers in making informed purchasing decisions when comparing different Fisher & Paykel products. For example, a heat pump dryer typically has a lower In-use Energy Carbon Emissions Estimate than a vented dryer.

**Warranty**

Parts and labour	<b>5 years</b>
------------------	----------------

SKU	81697
-----	-------