

MODULAR COOKTOPS

PLANNING GUIDE

CI392DTT | CI604DTT | CI905DTT | CIT392DX1 | CD13D | JZT-CG301D |
JZT-CG391D

FISHER & PAYKEL

This comprehensive planning guide provides you with the framework and tools to achieve your desired design outcome with Fisher & Paykel appliances. In this guide, you will find a range of conceptual, detailed, and dimensional product information to bring your ideas to life and create spaces that truly reflect your vision.

CONTENTS

CONCEPT DESIGN	PAGE	DEVELOPED AND DETAILED DESIGN	PAGE	DEVELOPED AND DETAILED DESIGN	PAGE
Specification Guide	3	Data Sheets	8	Planning Considerations	32
System Overview	4	Primary Induction Cooktop, 39cm	9	Installation Overview	33
Modules	6	Primary Induction Cooktop, 60cm	10	Installation Planning	34
		Primary Induction Cooktop, 90cm	11	Typical Configurations with Modular Ventilation	35
		Auxiliary Teppanyaki Cooktop, 39cm	12	Typical Configurations with Overhead Ventilation	36
		Auxiliary Teppanyaki Cooktop, 39cm	13	Benchtop Details	37
		Gas on Glass Modular Cooktop, 39cm	14	Clamping Locations	38
		Auxiliary Ventilation Components	15	Cooktop Ventilation	39
		Auxiliary Ventilation Mainbox	16	Installation with Built in Ovens	40
		Auxiliary Ventilation Blowerbox	17	Modular Ventilation Cabinetry Overview	41
		Horizontal Elbow, 90°	18	Modular Ventilation Overview	42
		Vertical Elbow, 90°	19	Venting Options	43
		Duct Adaptor, 90°, 150mm Diameter	20	Typical Ducting Dimensions	44
		Duct Adaptor, 150mm Diameter	21	Typical Cabinetry Configurations	45
		Connector	22	Blowerbox Cabinetry	46
		Straight Duct	23	Electrical Services	47
		Horizontal Elbow, Steel	24	Electrical Services	48
		Recirculation Kit	25	Modular Connections	49
		Product Decisions	27		
		Modular System Overview	28		
		Model Overview	29		
		Pairing Guide	30		
		Modular Ventilation Capabilites	31		

IMPORTANT NOTE

DO NOT install the cooktop directly above a dishwasher, fridge, freezer, washing machine or clothes dryer, as the humidity may damage the cooktop electronics.

SPECIFICATION GUIDE



OVERVIEW

Create the ultimate culinary solution with our Series 9 and 11 modular cooktops. Using the different induction, teppan, ventilation and gas modules, you can customize the cooking area at the scale and format best suited to architectural plan and user needs. Fusing precise induction technology with innovative design, these modules are crafted to seamlessly work together for perfect results.

FEATURES

- ① Tailor the cooking space by pairing primary induction cooktop modules with complementary auxiliary cooktops, downdraft ventilation, teppan and gas on glass modules.
- ② Control the complete connected suite from the primary cooktop using a large intuitive touchscreen.
- ③ Gas on Glass is independently controlled via a manual dial for precise and flexible cooking options.
- ④ Each module is designed to fit flush or raised with the countertop for complete design freedom.
- ⑤ Choose from a Minimal-style, sleek black glass or subtle grey glass finish to suit your kitchen design.
- ⑥ Wireless Temperature Sensor precisely monitors and controls cooking in real time, for complete control.*
- ⑦ Poach, Sous Vide and other Cook by Method functions are available on product, when using the Wireless Temperature Sensor.

* Selected models only.

PRODUCT OVERVIEW

PRIMARY MODULAR INDUCTION COOKTOPS

With touchscreen user interface

CI392DTTB1 (Black), CI392DTTG1 (Grey)

Primary Modular Induction Cooktop, 39cm, 2 Zones with SmartZone

CI604DTTB1 (Black), CI604DTTG1 (Grey)

Primary Modular Induction Cooktop, 60cm, 4 Zones with SmartZone

CI905DTTB1 (Black), CI905DTTG1 (Grey)

Primary Modular Induction Cooktop, 90cm, 5 Zones with SmartZone

AUXILIARY MODULAR COOKTOPS

No user interface. Controlled via paired primary cooktop.

CIT392DX1

Auxiliary Modular Teppanyaki Cooktop, 39cm, 2 Zones

AUXILIARY MODULAR VENTILATION

No user interface. Controlled via paired primary cooktop.

CD13DB1 (Black), CD13DG1 (Grey)

Auxiliary Modular Ventilation, 13cm, Duct Out

GAS ON GLASS MODULAR COOKTOP

Dial control, independantly controlled.

JZT-CG301DNGGB5 (Black) JZT-CG301DNGGG5 (Grey)

Gas on Glass Modular Cooktop, 30cm, Natural Gas

JZT-CG391DNGGB5 (Black) JZT-CG391DNGGG5 (Grey)

Gas on Glass Modular Cooktop, 39cm, Natural Gas

The models shown in this Planning Guide may not be available in all markets and are subject to change at any time. Product specifications may vary from those shown. This Planning Guide should not be used as installation guidance for any product. Further information is required to safely and correctly install the products featured here. Specific installation guidance will be available with the product on delivery and on our website fisherpaykel.com

ACCESSORIES

WTSC1

Wireless Temperature Sensor (1x included per Primary Modular Induction Cooktop. Also available to purchase as spare part).

E90H30X7

Horizontal Elbow, 90°, 300x70mm

E90V30X7

Vertical Elbow, 90°, 300x70mm

DA90D30X7D15

Duct Adaptor, 90°, 150mm Diameter, 300x70mm

DA30X7D15

Duct Adaptor, 150mm Diameter, 300x70mm

D100X30X7

Duct, 1m, 300x70mm

C30X7

Connector, 300x70mm

E90H30X7S

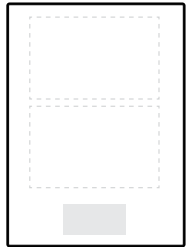
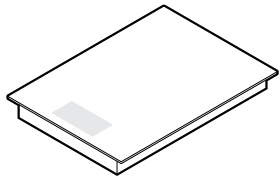
Horizontal Elbow, 90°, 300x70mm, Steel

KRCID834

Recirculation Kit

OAB222X89

Outlet Adaptor, 222x89, Recirculation



**PRIMARY MODULAR INDUCTION COOKTOP, 39CM,
2 ZONES WITH SMARTZONE**

Model no:
CI392DTTB1 Black
CI392DTTG1 Grey

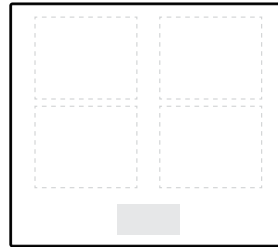
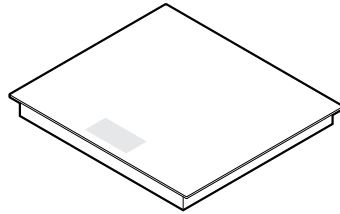


Dimensions	W x D x H
Product	385 x 530 x 62
Glass	385 x 530 x 6
Cutout, proud	347 x 507
Cutout, flush	347 x 509
Recess, flush	389 x 534 x 6.5

Power Requirements

Supply	220-240 V, 50 Hz / 60 Hz
Service	16 A
Connection	Power cord, stripped ends, 1 N
Power Cable	1700 mm

Weight	8 kg
---------------	------



**PRIMARY MODULAR INDUCTION COOKTOP, 60CM,
4 ZONES WITH SMARTZONE**

Model no:
CI604DTTB1 Black
CI604DTTG1 Grey

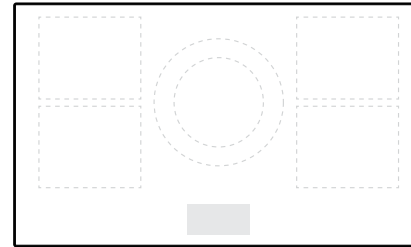
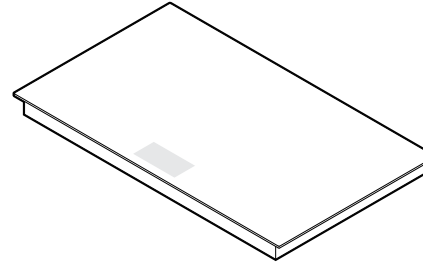


Dimensions	W x D x H
Product	600 x 530 x 62
Glass	600 x 530 x 6
Cutout, proud	562 x 507
Cutout, flush	562 x 509
Recess, flush	604 x 534 x 6.5

Power Requirements

Supply	220-240 V, 50 Hz / 60 Hz
Service	32 A
Connection	Terminal block, 1 N or 2 N
Power Cable	not supplied

Weight	14 kg
---------------	-------



**PRIMARY MODULAR INDUCTION COOKTOP, 90CM,
5 ZONES WITH SMARTZONE**

Model no:
CI905DTTB1 Black
CI905DTTG1 Grey

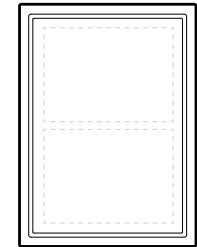
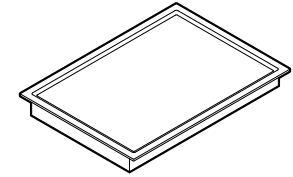


Dimensions	W x D x H
Product	900 x 530 x 62
Glass	900 x 530 x 6
Cutout, proud	862 x 507
Cutout, flush	862 x 509
Recess, flush	904 x 534 x 6.5

Power Requirements

Supply	220-240 V, 50 Hz / 60 Hz
Service	48 A
Connection	Terminal block, 1 N or 3 N
Power Cable	not supplied

Weight	20 kg
---------------	-------



**AUXILIARY MODULAR TEPPANYAKI COOKTOP, 39CM,
2 ZONES**

Model no:
CIT392DX1



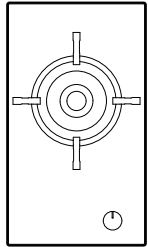
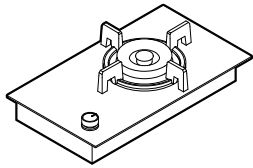
Dimensions	W x D x H
Product	385 x 530 x 74
Plate	385 x 530 x 6
Cutout, proud	347 x 507
Cutout, flush	347 x 509
Recess, flush	389 x 534 x 6.5

Power Requirements

Supply	220-240 V, 50 Hz / 60 Hz
Service	12 A
Connection	Power cord, stripped ends, 1 N
Power Cable	1700 mm

Weight	15 kg
---------------	-------

The models shown in this Planning Guide may not be available in all markets and are subject to change at any time. Product specifications may vary from those shown. This Planning Guide should not be used as installation guidance for any product. Further information is required to safely and correctly install the products featured here. Specific installation guidance will be available with the product on delivery and on our website fisherpaykel.com



GAS ON GLASS MODULAR COOKTOP, 30CM, NATURAL GAS

Model no:
JZT-CG301DNGGB5 Black
JZT-CG301DNGGG5 Grey

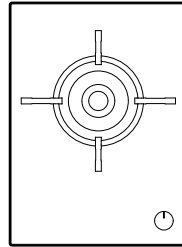
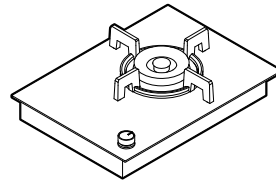


Dimensions	W x D x H
Product (excl. trivets)	300 x 530 x 62
Glass	300 x 530 x 6
Cutout, proud	262 x 507
Cutout, flush	262 x 509
Recess, flush	304 x 534 x 6.5

Power Requirements	
Supply	220-240 V, 50 Hz / 60 Hz
Service	10 A
Connection	Plug

Gas Requirements	
Supply	1/2" BSP minimum internal Ø 10mm flex line
Inlet	1/2" BSP

Weight	7 kg
---------------	------



GAS ON GLASS MODULAR COOKTOP, 39CM, NATURAL GAS

Model no:
JZT-CG391DNGGB5 Black
JZT-CG391DNGGG5 Grey

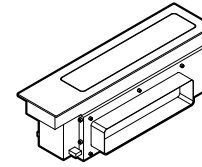


Dimensions	W x D x H
Product (excl. trivets)	385 x 530 x 74
Plate	385 x 530 x 6
Cutout, proud	347 x 507
Cutout, flush	347 x 509
Recess, flush	389 x 534 x 6.5

Power Requirements	
Supply	220-240 V, 50 Hz / 60 Hz
Service	10 A
Connection	Plug

Gas Requirements	
Supply	1/2" BSP minimum internal Ø 10mm flex line
Inlet	1/2" BSP

Weight	8 kg
---------------	------



AUXILIARY MODULAR VENTILATION, 13CM

Model no:
CD13DB1 Black
CD13DG1 Grey



Dimensions	W x D x H
Product	130 x 530 x 186
Glass	130 x 530 x 6
Cutout, proud**	98 x 507
Cutout, flush**	98 x 509
Recess, flush**	134 x 534 x 6.5

Power Requirements	
Supply	220-240V, 50Hz
Service	5A
Connection	Power cord, plug
Power Cable	3000 mm

Weight	3kg
---------------	-----

** Must be installed in combined cutout with cooktop

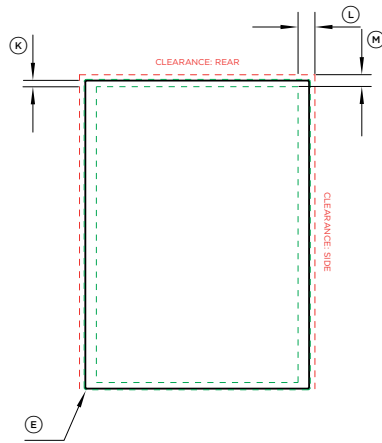
ELECTRICAL SERVICE FOR MULTIPLE PRODUCT INSTALLS

Where multiple products are being installed together, it is possible to use a smaller local distribution board, rather than running multiple separate lines. For example, 2 x 15A modules can be connected via a single 30A breaker.

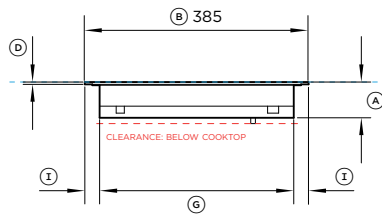
This cooktop must be connected to the mains power supply only by a suitably qualified person.

The models shown in this Planning Guide may not be available in all markets and are subject to change at any time. Product specifications may vary from those shown. This Planning Guide should not be used as installation guidance for any product. Further information is required to safely and correctly install the products featured here. Specific installation guidance will be available with the product on delivery and on our website fisherpaykel.com

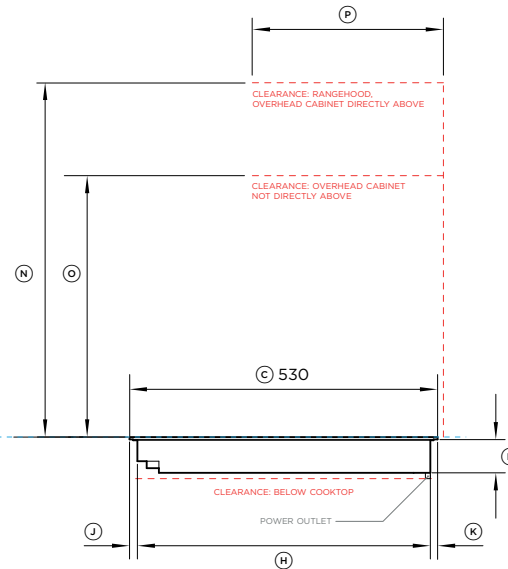
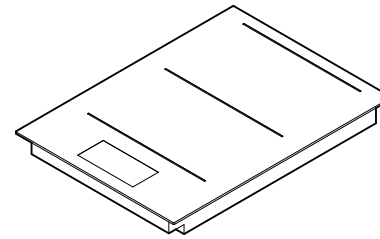
DATA SHEETS



TOP VIEW



FRONT VIEW



PROFILE VIEW



INDICATES CABINERY / PRODUCT DATUM -----
 INDICATES CABINERY CLEARANCES -----
 INDICATES CUTOUT -----

Model no:

Primary Modular Induction Cooktop, 39cm, 2 Zones with SmartZone, Black - CI392DTTB1,
 Primary Modular Induction Cooktop, 39cm, 2 Zones with SmartZone, Grey - CI392DTTG1

Product Dimensions	mm
Ⓐ Overall height of cooktop	62
Ⓔ Overall width of cooktop	385
Ⓒ Overall depth of cooktop	530
Ⓓ Height of cooktop glass (includes flange and tape)	6
Ⓔ Corner radius of glass	2
Ⓕ Height of chassis	56
Ⓖ Width of chassis	334
Ⓗ Depth of chassis	504
Ⓛ Width from side edges of cooktop to chassis	25.5
Ⓜ Depth from front edge of cooktop to chassis	13.5
Ⓝ Depth from back edge of cooktop to chassis	12.5

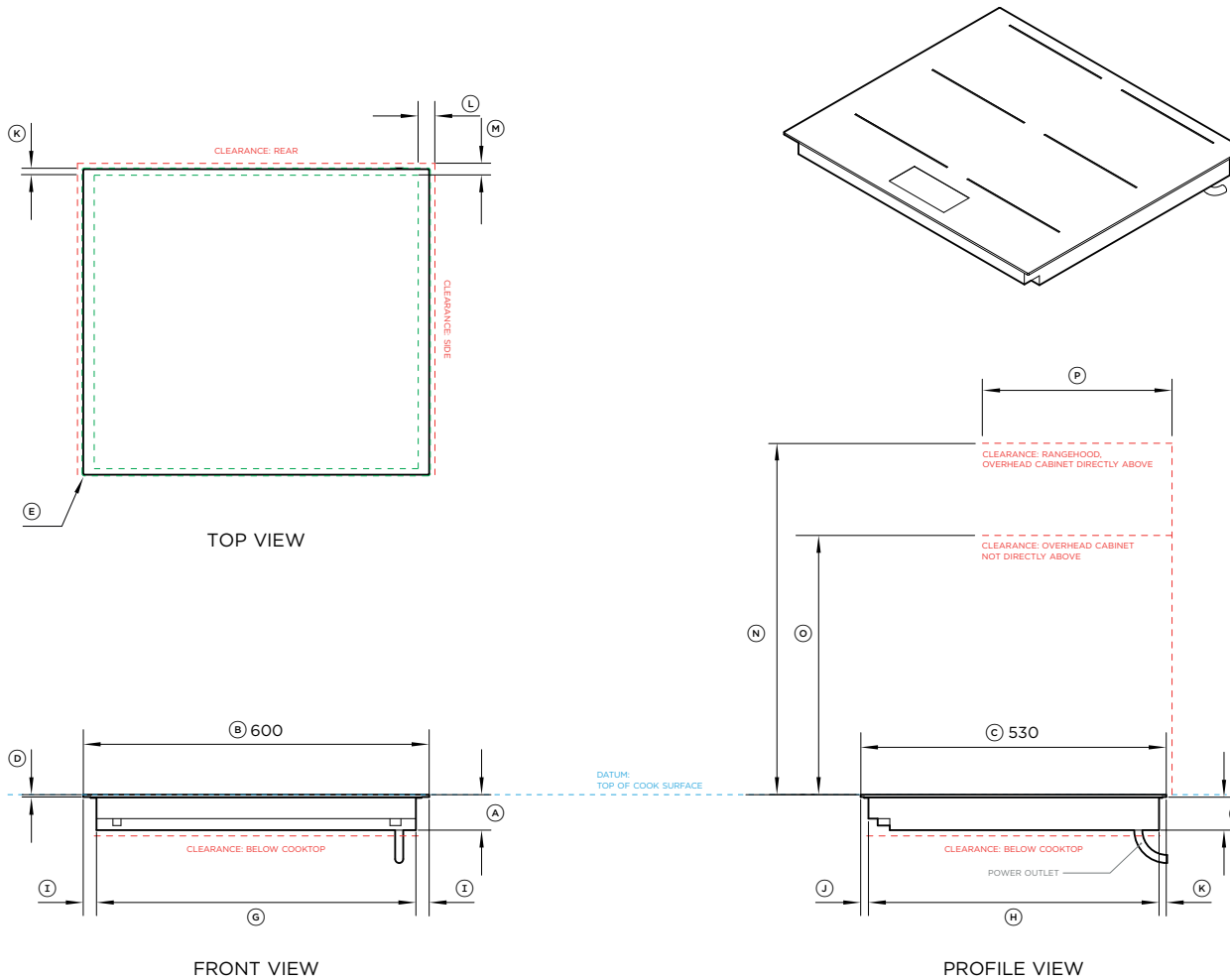
Product Clearances	mm
Ⓛ Minimum clearance from side edges of cutout to nearest combustible surface	29
Ⓜ Minimum clearance from rear edge of cutout to nearest combustible surface	21
Ⓓ Minimum clearance from cook surface to rangehood or overhead cabinet	610
Ⓝ Minimum clearance from cook surface to overhead cabinet not directly above cooktop	450
Ⓒ Maximum depth of overhead cabinetry	330
Minimum ventilation gap between bottom of benchtop and top of cabinetry fronts (not shown)	4
Minimum clearance from cook surface to top of any appliances, companion product or obstruction below cooktop	72

NOTE: The oven installed below the cooktop MUST have a cooling fan. It is important that the induction cooktop receives adequate air supply. For ventilation requirements please refer to the installation manual.

Cutout Dimensions*	Proud mm	Flush mm
Overall width of cutout	347	347
Overall depth of cutout	507	509
Overall width of recess	-	389
Overall depth of recess	-	534
Overall height of recess	-	6.5
Recess corner radius	-	4

*Note cutout position is centred to the cooktop.

IMPORTANT NOTE: Throughout this guide, dimensions may vary by ±2mm (1/16"). Please read the installation manual for detailed information on installing the product. For full installation instructions & specifications visit fisherpaykel.com



INDICATES CABINETY / PRODUCT DATUM ————
 INDICATES CABINETY CLEARANCES - - - - -
 INDICATES CUTOUT - - - - -

Model no:

Primary Modular Induction Cooktop, 60cm, 4 Zones with SmartZone, Black - CI604DTTB1,
 Primary Modular Induction Cooktop, 60cm, 4 Zones with SmartZone, Grey - CI604DTTG1

Product Dimensions	mm
Ⓐ Overall height of cooktop	62
Ⓔ Overall width of cooktop	600
Ⓒ Overall depth of cooktop	530
Ⓓ Height of cooktop glass (includes flange and tape)	6
Ⓔ Corner radius of glass	2
Ⓕ Height of chassis	56
Ⓖ Width of chassis	554
Ⓗ Depth of chassis	504
Ⓛ Width from side edges of cooktop to chassis	23
Ⓜ Depth from front edge of cooktop to chassis	13.5
Ⓚ Depth from back edge of cooktop to chassis	12.5

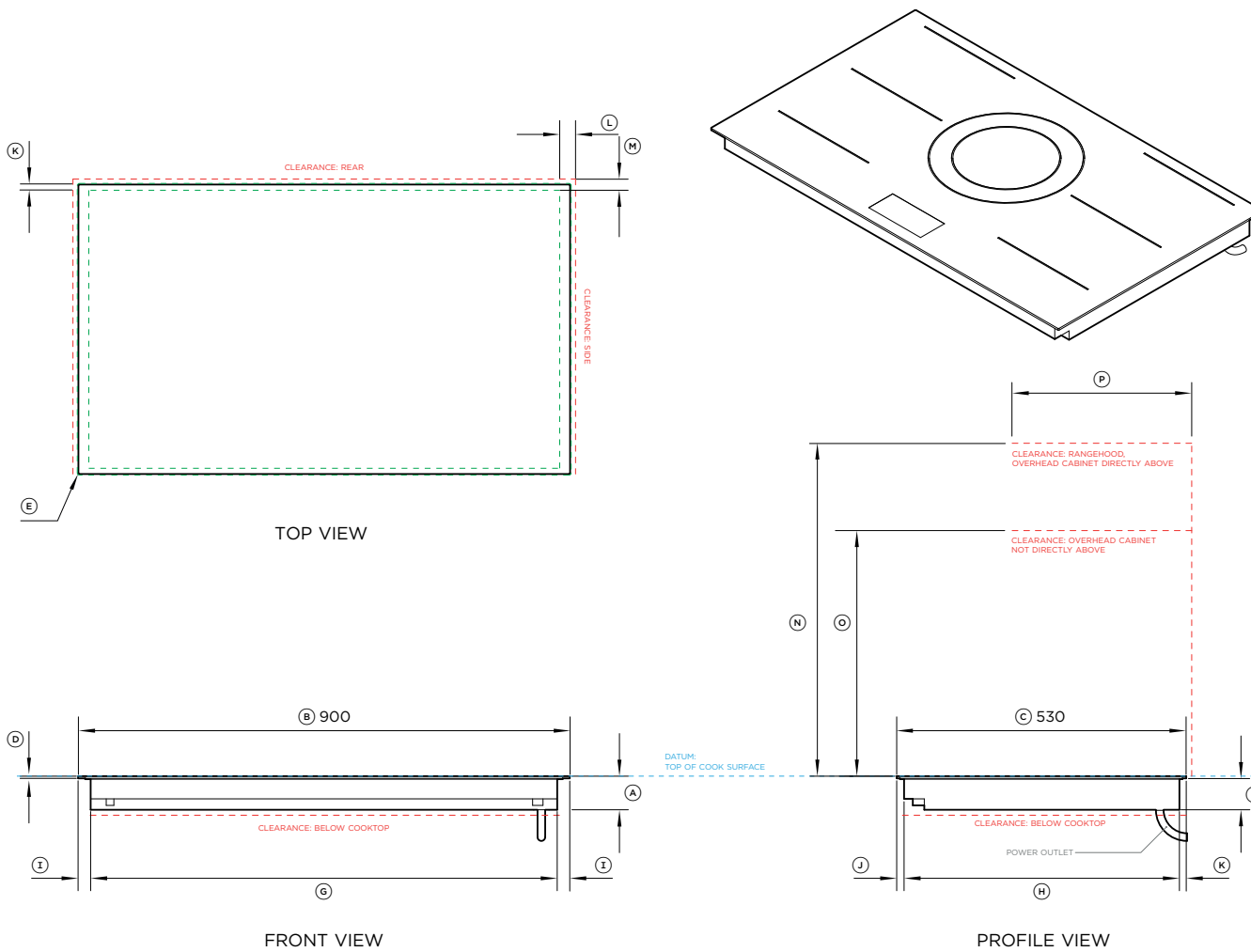
Product Clearances	mm
Ⓛ Minimum clearance from side edges of cutout to nearest combustible surface	29
Ⓚ Minimum clearance from rear edge of cutout to nearest combustible surface	21
Ⓓ Minimum clearance from cook surface to rangehood or overhead cabinet	610
Ⓚ Minimum clearance from cook surface to overhead cabinet not directly above cooktop	450
Ⓚ Maximum depth of overhead cabinetry	330
Minimum ventilation gap between bottom of benchtop and top of cabinetry fronts (not shown)	4
Minimum clearance from cook surface to top of any appliances, companion product or obstruction below cooktop	72

NOTE: The oven installed below the cooktop MUST have a cooling fan. It is important that the induction cooktop receives adequate air supply. For ventilation requirements please refer to the installation manual.

Cutout Dimensions*	Proud mm	Flush mm
Overall width of cutout	562	562
Overall depth of cutout	507	509
Overall width of recess	-	604
Overall depth of recess	-	534
Overall height of recess	-	6.5
Recess corner radius	-	4

*Note cutout position is centred to the cooktop.

IMPORTANT NOTE: Throughout this guide, dimensions may vary by ±2mm (1/16"). Please read the installation manual for detailed information on installing the product. For full installation instructions & specifications visit fisherpaykel.com



INDICATES CABINERY / PRODUCT DATUM ————
 INDICATES CABINERY CLEARANCES - - - - -
 INDICATES CUTOUT - - - - -

Model no:

Primary Modular Induction Cooktop, 90cm, 5 Zones with SmartZone, Black - CI905DTTB1
 Primary Modular Induction Cooktop, 90cm, 5 Zones with SmartZone, Grey - CI905DTTG1

Product Dimensions	mm
Ⓐ Overall height of cooktop	62
Ⓔ Overall width of cooktop	900
Ⓒ Overall depth of cooktop	530
Ⓓ Height of cooktop glass (includes flange and tape)	6
Ⓔ Corner radius of glass	2
Ⓕ Height of chassis	56
Ⓖ Width of chassis	854
Ⓗ Depth of chassis	504
Ⓛ Width from side edges of cooktop to chassis	23
Ⓜ Depth from front edge of cooktop to chassis	13.5
Ⓝ Depth from back edge of cooktop to chassis	12.5

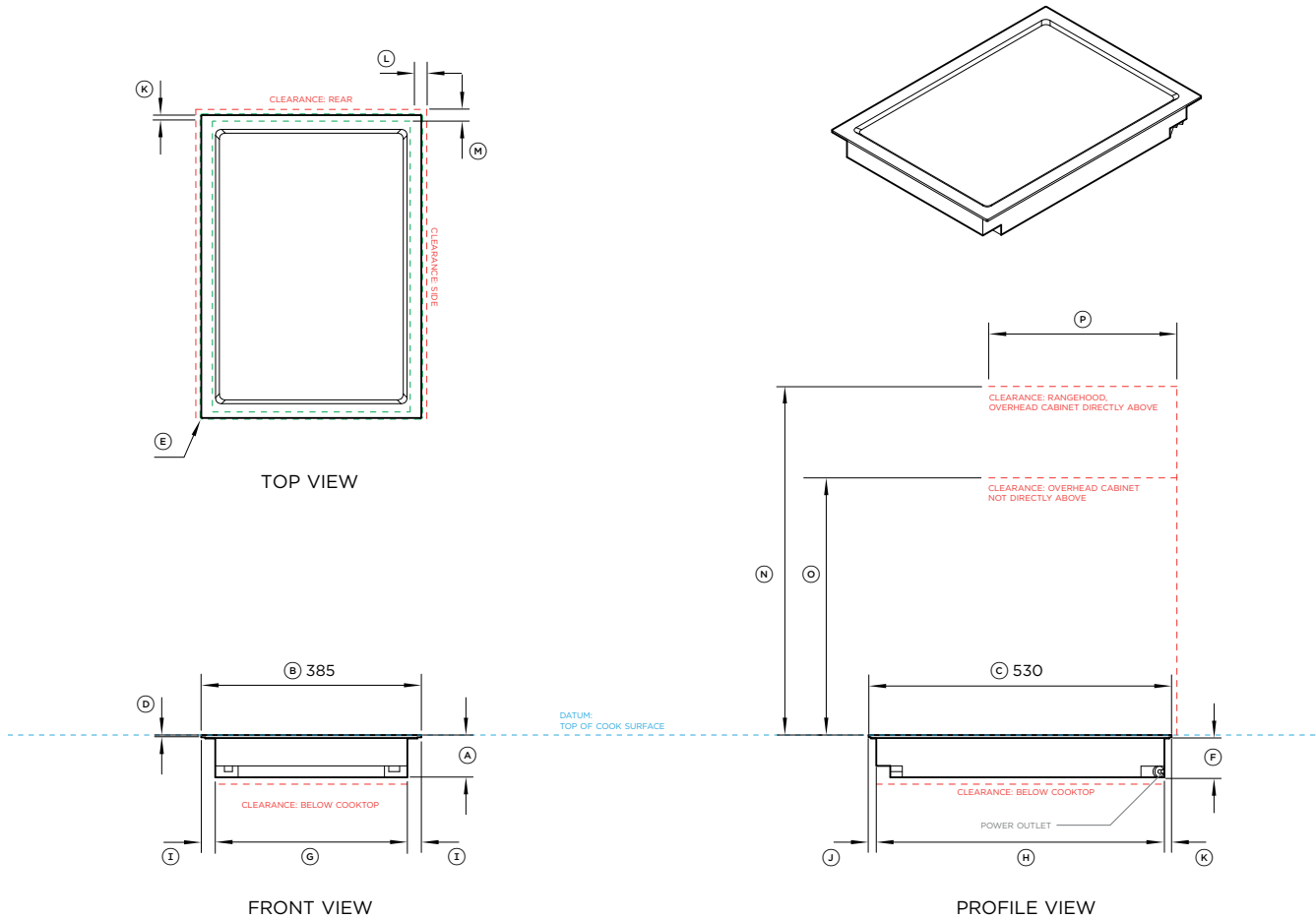
Product Clearances	mm
Ⓛ Minimum clearance from side edges of cutout to nearest combustible surface	29
Ⓜ Minimum clearance from rear edge of cutout to nearest combustible surface	21
Ⓓ Minimum clearance from cook surface to rangehood or overhead cabinet	610
Ⓝ Minimum clearance from cook surface to overhead cabinet not directly above cooktop	450
Ⓝ Maximum depth of overhead cabinetry	330
Minimum ventilation gap between bottom of benchtop and top of cabinetry fronts (not shown)	4
Minimum clearance from cook surface to top of any appliances, companion product or obstruction below cooktop	72

NOTE: The oven installed below the cooktop MUST have a cooling fan. It is important that the induction cooktop receives adequate air supply. For ventilation requirements please refer to the installation manual.

Cutout Dimensions*	Proud mm	Flush mm
Overall width of cutout	862	862
Overall depth of cutout	507	509
Overall width of recess	-	904
Overall depth of recess	-	534
Overall height of recess	-	6.5
Recess corner radius	-	4

*Note cutout position is centred to the cooktop.

IMPORTANT NOTE: Throughout this guide, dimensions may vary by ±2mm (1/16"). Please read the installation manual for detailed information on installing the product. For full installation instructions & specifications visit fisherpaykel.com



INDICATES CABINETY / PRODUCT DATUM -----
 INDICATES CABINETY CLEARANCES -----
 INDICATES CUTOUT -----

Model no:

Auxiliary Modular Teppanyaki Cooktop 39cm, 2 Zones - CIT392DX1

Product Dimensions	mm
Ⓐ Overall height of cooktop	74
Ⓑ Overall width of cooktop	385
Ⓒ Overall depth of cooktop	530
Ⓓ Height of stainless steel cook plate (includes flange and tape)	6
Ⓔ Radius of the corner	2
Ⓕ Height of chassis	68
Ⓖ Width of chassis	336
Ⓗ Depth of chassis	504
Ⓘ Width from side edges of cooktop to chassis	24.5
Ⓚ Depth from front edge of cooktop to chassis	13.5
Ⓛ Depth from back edge of cooktop to chassis	12.5

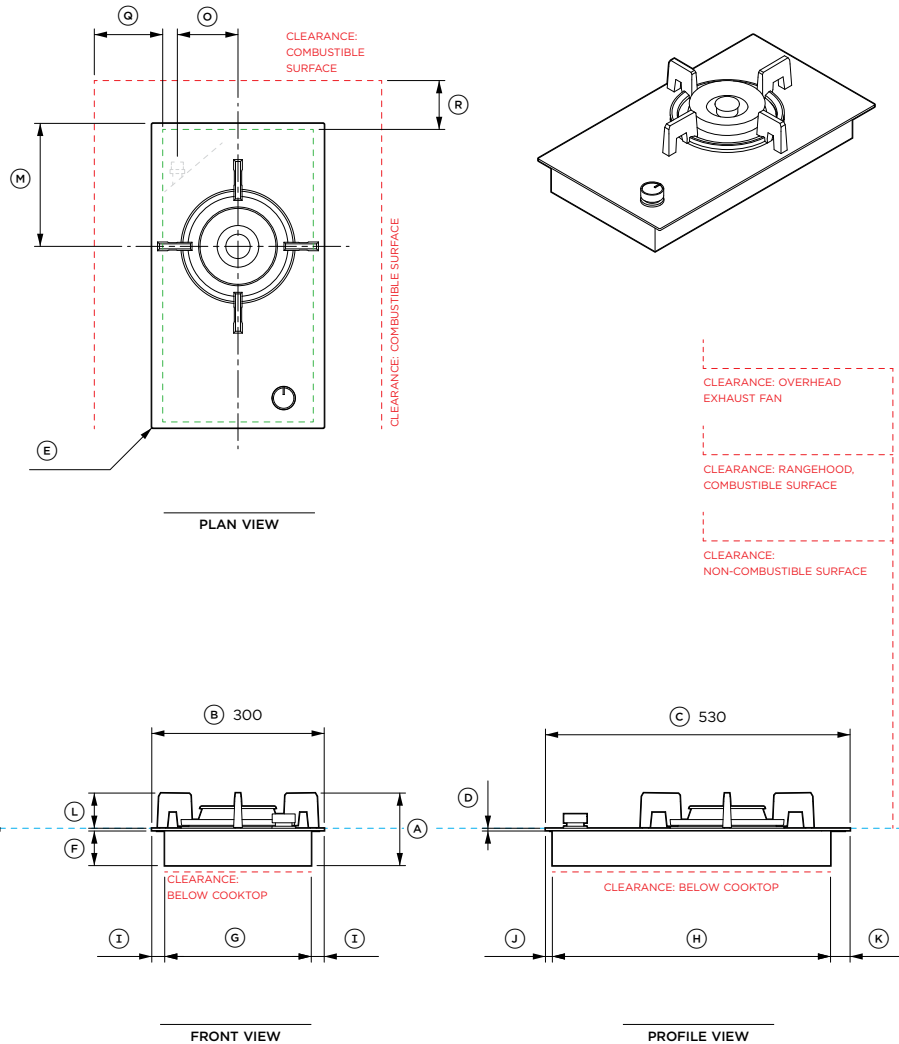
Product Clearances	mm
Ⓛ Minimum clearance from side edges of cutout to nearest combustible surface	29
Ⓜ Minimum clearance from rear edge of cutout to nearest combustible surface	21
Ⓝ Minimum clearance from cook surface to rangehood or overhead cabinet	610
Ⓖ Minimum clearance from cook surface to overhead cabinet not directly above cooktop	450
Ⓓ Maximum depth of overhead cabinetry	330
Minimum ventilation gap between bottom of benchtop and top of cabinetry fronts (not shown)	4
Minimum clearance from cook surface to top of any appliances, companion product or obstruction below cooktop	86

NOTE: The oven installed below the cooktop MUST have a cooling fan. It is important that the teppanyaki cooktop receives adequate air supply. For ventilation requirements please refer to page

Cutout Dimensions*	Proud mm	Flush mm
Overall width of cutout	347	347
Overall depth of cutout	507	509
Overall width of recess	-	389
Overall depth of recess	-	534
Overall height of recess	-	6.5
Recess corner radius	-	4

*Note cutout position is centred to the cooktop.

IMPORTANT NOTE: Throughout this guide, dimensions may vary by ±2mm (1/16"). Please read the installation manual for detailed information on installing the product. For full installation instructions & specifications visit fisherpaykel.com



INDICATES CABINETRY / PRODUCT DATUM -----
 INDICATES CABINETRY CLEARANCES -----
 INDICATES CUTOUT -----

Model no:

Gas on Glass Modular Cooktop, 30cm, Natural Gas
 Black - JZT-CG301DNGGB5, Grey - JZT-CG301DNGGG5

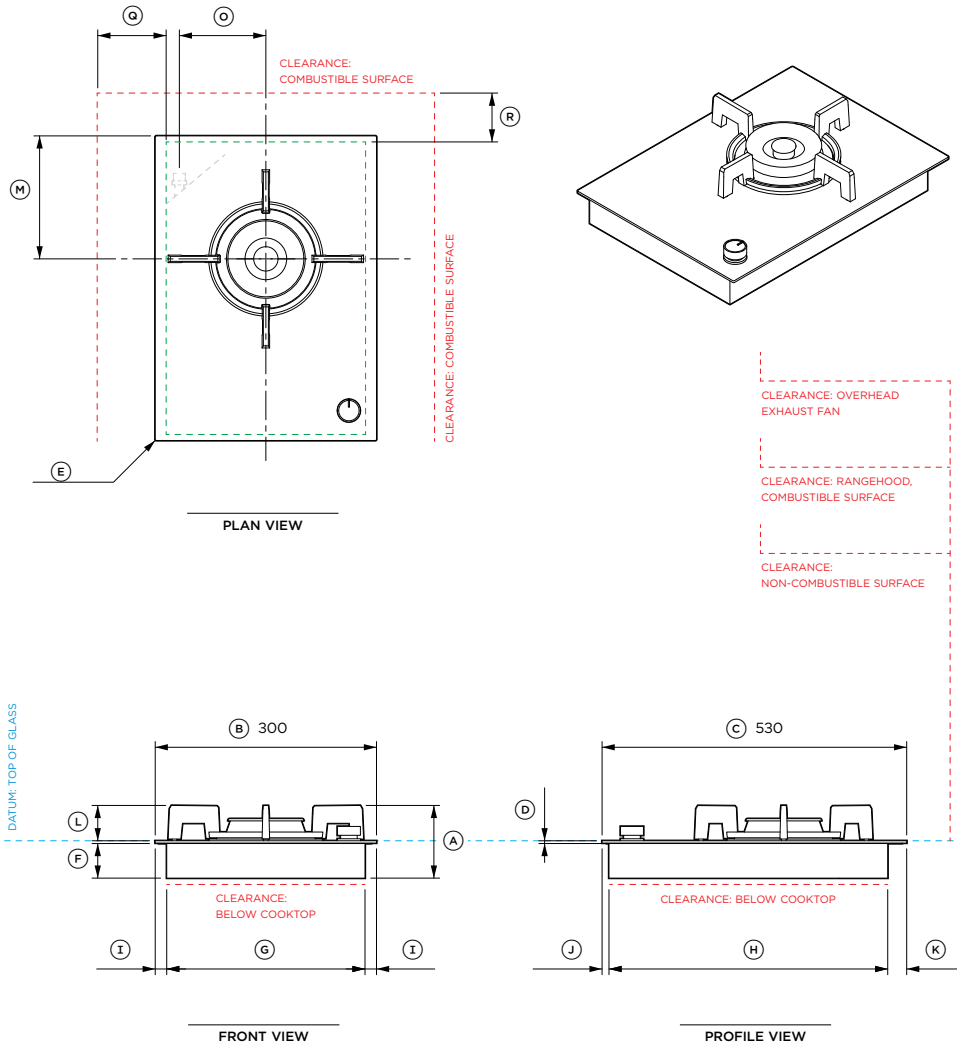
Product Dimensions	mm
A Overall height of cooktop (including trivet)	127
B Overall width of cooktop	300
C Overall depth of cooktop	530
D Height of cooktop glass (includes flange and tape)	6
E Corner radius of glass	2
F Height of chassis	61
G Width of chassis	256
H Depth of chassis	484
I Width from side edges of cooktop to chassis	22
J Depth from front edge of cooktop to chassis	12
K Depth from back edge of cooktop to chassis	34
L Height of trivet	62
M Distance from centre of burner to rear of cooktop	214
N Height from centre of gas inlet to top of glass	32
O Width from centre of cooktop to gas inlet	106
P Distance from rear of cooktop to gas inlet	68

Product Clearances	mm
A Minimum clearance from side edges of cutout to nearest combustible surface	120
B Minimum clearance from rear edge of cutout to nearest combustible surface	85
Minimum clearance from glass surface to non-combustible surface	500
Minimum clearance from glass surface to rangehood or downward facing combustible surface	650
Minimum clearance from glass surface to any other overhead exhaust fan	800
Minimum clearance from top of glass surface to overhead cabinet not directly above cooktop (not shown)	450
Maximum depth of overhead cabinets not directly above cooktop	330
Minimum clearance from top of glass surface to top of any appliance, companion product or obstruction below cooktop	76

Cutout Dimensions*	Proud mm	Flush mm
Overall width of cutout	347	347
Overall depth of cutout	507	509
Overall width of recess	-	389
Overall depth of recess	-	534
Overall height of recess	-	6.5
Recess corner radius	-	4

*Note cutout position is centred to the cooktop

IMPORTANT NOTE: Throughout this guide, dimensions may vary by ±2mm (1/16"). Please read the installation manual for detailed information on installing the product. For full installation instructions & specifications visit fisherpaykel.com



Model no:

Gas on Glass Modular Cooktop, 39cm, Natural Gas
 Black - JZT-CG391DNGGB5, Grey - JZT-CG391DNGGG5

Product Dimensions

	mm
Ⓐ Overall height of cooktop (including trivet)	127
Ⓑ Overall width of cooktop	385
Ⓒ Overall depth of cooktop	530
Ⓓ Height of cooktop glass (includes flange and tape)	6
Ⓔ Corner radius of glass	2
Ⓕ Height of chassis	61
Ⓖ Width of chassis	345
Ⓗ Depth of chassis	484
Ⓘ Width from side edges of cooktop to chassis	20
Ⓝ Depth from front edge of cooktop to chassis	12
Ⓚ Depth from back edge of cooktop to chassis	34
Ⓛ Height of trivet	62
Ⓜ Distance from centre of burner to rear of cooktop	214
Ⓝ Height from centre of gas inlet to top of glass	32
Ⓞ Width from centre of cooktop to gas inlet	151
Ⓟ Distance from rear of cooktop to gas inlet	65

Product Clearances

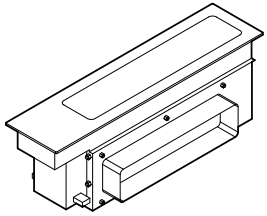
	mm
Ⓞ Minimum clearance from side edges of cutout to nearest combustible surface	120
Ⓟ Minimum clearance from rear edge of cutout to nearest combustible surface	85
Minimum clearance from glass surface to non-combustible surface	500
Minimum clearance from glass surface to rangehood or downward facing combustible surface	650
Minimum clearance from glass surface to any other overhead exhaust fan	800
Minimum clearance from top of glass surface to overhead cabinet not directly above cooktop (not shown)	450
Maximum depth of overhead cabinets not directly above cooktop	330
Minimum clearance from top of glass surface to top of any appliance, companion product or obstruction below cooktop	76

Cutout Dimensions*

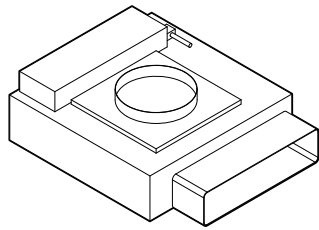
	Proud mm	Flush mm
Overall width of cutout	347	347
Overall depth of cutout	507	509
Overall width of recess	-	389
Overall depth of recess	-	534
Overall height of recess	-	6.5
Recess corner radius	-	4

*Note cutout position is centred to the cooktop

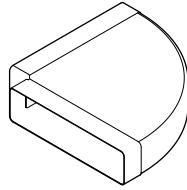
IMPORTANT NOTE: Throughout this guide, dimensions may vary by ±2mm (1/16"). Please read the installation manual for detailed information on installing the product. For full installation instructions & specifications visit fisherpaykel.com



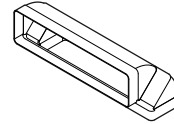
MAINBOX



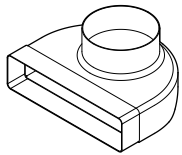
BLOWERBOX



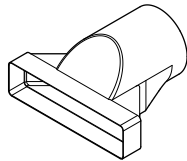
HORIZONTAL ELBOW, 90°



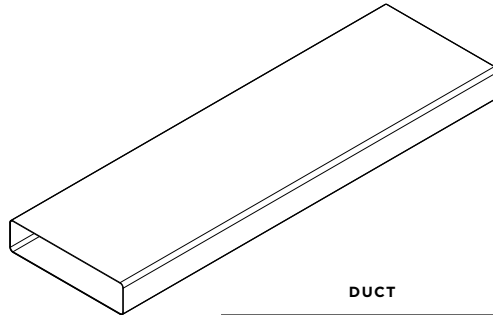
VERTICAL ELBOW, 90°



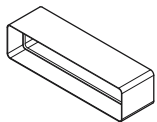
DUCT ADAPTOR, 90°



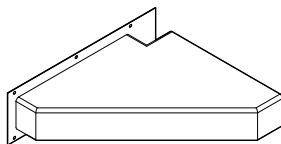
DUCT ADAPTOR



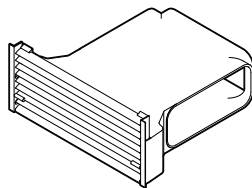
DUCT



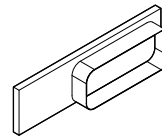
CONNECTOR



HORIZONTAL ELBOW, 90°, STEEL



RECIRCULATION KIT



OUTLET ADAPTOR

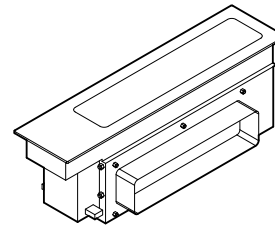
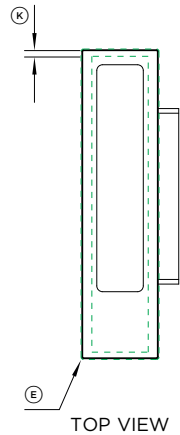
Model no:

Auxiliary Modular Ventilation, 13cm, Black - CD13DB1
 Auxiliary Modular Ventilation, 13cm, Grey - CD13DG1

Component Description	Supplied	Optional Accessory
Mainbox	x1	
Blowerbox	x1	
Horizontal Elbow, 90°, 300x70*	x1	E90H30X7
Vertical Elbow, 90°, 300x70*	x2	E90V30X7
Duct Adaptor, 90°, 150mm Diameter, 300x70mm*	x1	DA90D30X7D15
Duct Adaptor, 150mm Diameter, 300x70mm*	x1	DA30X7D15
Duct, 1m, 300x70mm*	x1	D100X30X7
Connector, 300x70*	x1	C30X7
Horizontal Elbow, 90°, 300x70mm, Steel**		E90H30X7S
Recirculation Kit		KRCID834
Outlet Adaptor, Blower, 222x89mm		OAB222X89

* Component also available as an optional accessory
 ** Must be used over a pyrolytic oven

MAINBOX



Model no:

Auxiliary Modular Ventilation, 13cm, Black - CD13DB1
 Auxiliary Modular Ventilation, 13cm, Grey - CD13DG1

Product Dimensions

	mm
Ⓐ Overall height of mainbox	186
Ⓔ Overall width of mainbox	130
Ⓒ Overall depth of mainbox	530
Ⓓ Height of glass (includes flange and tape)	6
Ⓔ Corner radius of glass	2
Ⓕ Height of chassis	180
Ⓖ Width of lower chassis (includes communication ports)	126
Ⓖ Depth of chassis	504
Ⓘ Width from sides of glass to neck of chassis	18
Ⓛ Depth from front edge of glass to chassis	14
Ⓚ Depth from back edge of glass to chassis	13
Ⓛ Height from top of glass to centre of outlet	124
Ⓚ Depth from front edge of glass to centre of outlet	279
Ⓚ Width from edge of glass to outside of outlet	36

Product Clearances

	mm
Minimum clearance from top surface to top of any appliances, companion product or obstruction below mainbox	200

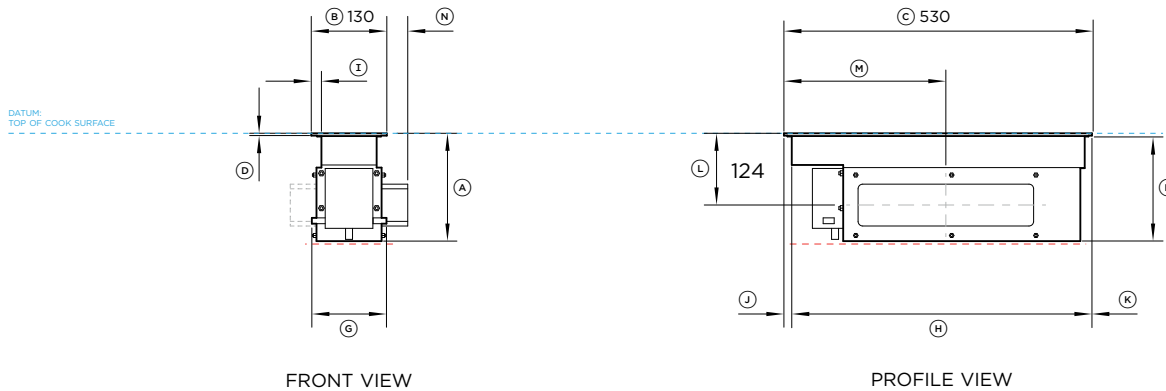
Cutout Dimensions*

	Proud mm	Flush mm
Overall width of cutout	98	98
Overall depth of cutout	507	509
Overall width of recess	-	134
Overall depth of recess	-	534
Overall height of recess	-	6.5
Recess corner radius	-	4

*Note cutout position is centred to the cooktop.

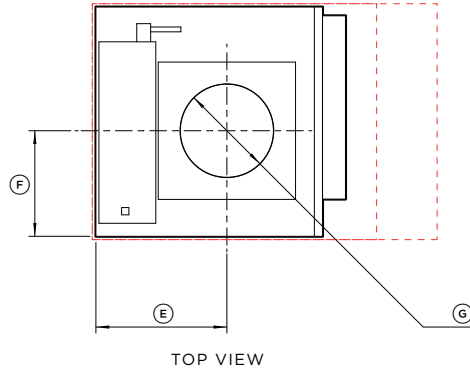
INDICATES CABINETRY / PRODUCT DATUM -----
 INDICATES CABINETRY CLEARANCES - - - - -
 INDICATES CUTOUT - - - - -

IMPORTANT NOTE: Throughout this guide, dimensions may vary by ±2mm (1/16"). Please read the installation manual for detailed information on installing the product. For full installation instructions & specifications visit fisherpaykel.com

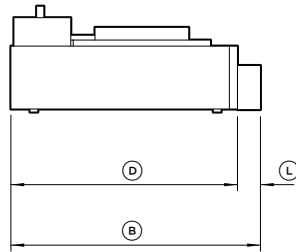
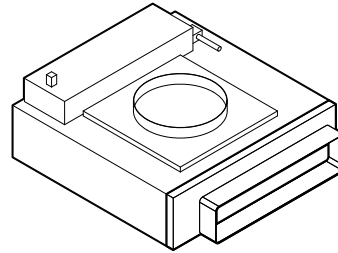


BLOWERBOX

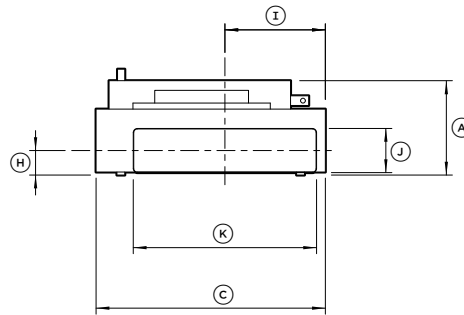
AS SUPPLIED



TOP VIEW



FRONT VIEW



PROFILE VIEW

Model no:

Auxiliary Modular Ventilation, 13cm, Black - CD13DB1
 Auxiliary Modular Ventilation, 13cm, Grey - CD13DG1

Product Dimensions

	mm
Ⓐ Overall height of blowerbox	156
Ⓑ Overall width of blowerbox (including outlet)	413
Ⓒ Overall depth of blowerbox	379
Ⓓ Width of blowerbox	375
Ⓔ Width from corner to centre of inlet	217
Ⓕ Depth from corner to centre of inlet	175
Ⓖ Internal diameter of inlet	154
Ⓗ Height from base of product to centre of outlet	41
Ⓘ Width from outside of chassis to centre of outlet	166
Ⓣ External height of outlet	73
Ⓚ External width of outlet	303
Ⓛ Depth of outlet	38

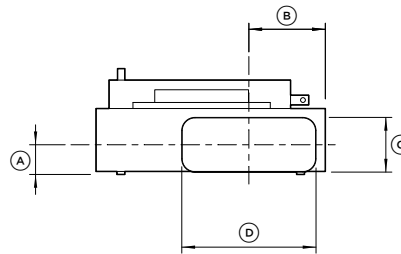
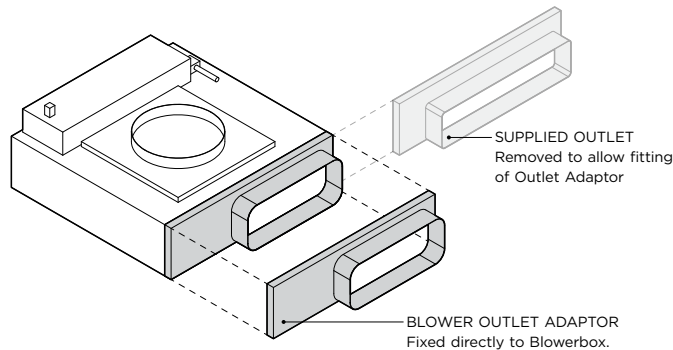
Cutout Dimensions*

	mm
Recommended width of cutout **	570
Minimum width of cutout ***	470
Depth of cutout	390

*Blowerbox can be rotated to achieve desired outlet direction, cutout dimensions must be rotated accordingly.
 ** Recommended width allows greater access to outlet during installation.
 *** Clearance only for blowerbox, does not provide allowances for connecting to ducting.

BLOWER OUTLET ADAPTOR

FOR RECIRCULATION KIT - KRCID834



PROFILE VIEW



Model no:

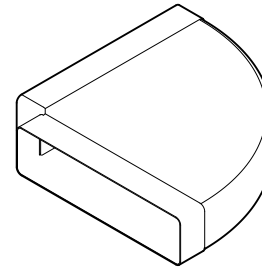
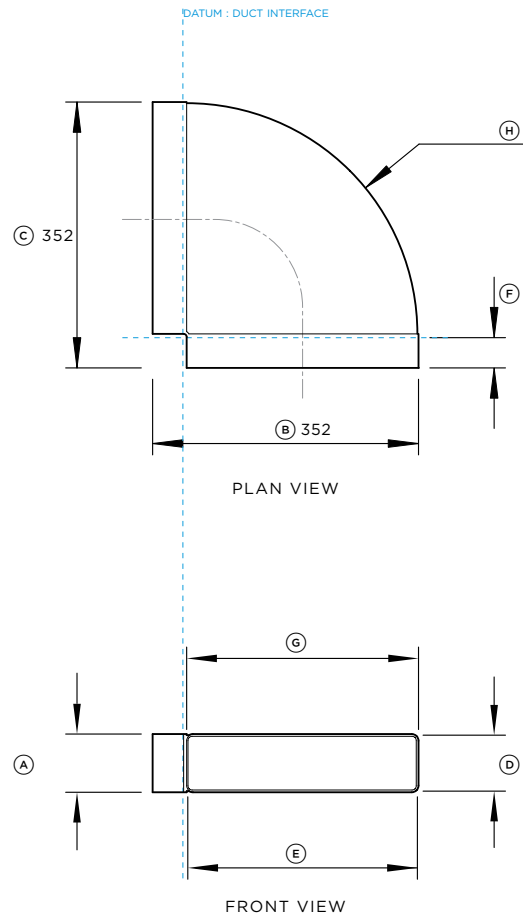
Blower Outlet Adaptor - OAB222X89

Product Dimensions

	mm
Ⓐ Height from base of blowerbox to centre of outlet	49
Ⓑ Width from side of blowerbox chassis to centre of outlet	127
Ⓒ External height of outlet	91
Ⓓ External width of outlet	222

INDICATES CABINETRY / PRODUCT DATUM
 INDICATES CABINETRY CLEARANCES
 INDICATES CUTOUT

IMPORTANT NOTE: Throughout this guide, dimensions may vary by ±2mm (1/16"). Please read the installation manual for detailed information on installing the product. For full installation instructions & specifications visit fisherpaykel.com



Optional Part no:

Horizontal Elbow, 90°, 300x70mm - E90H30X7

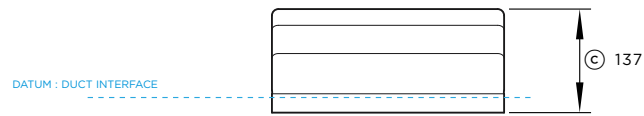
Product Dimensions

	mm
Ⓐ Overall height of duct	77
Ⓑ Overall width of duct	352
Ⓒ Overall length of duct	352
Ⓓ Internal height of female duct end	74
Ⓔ Internal width of female duct end	304
Ⓕ Internal shoulder depth of female duct end	40
Ⓖ External width of female duct end	307
ⓓ Centre Radius of bend	305

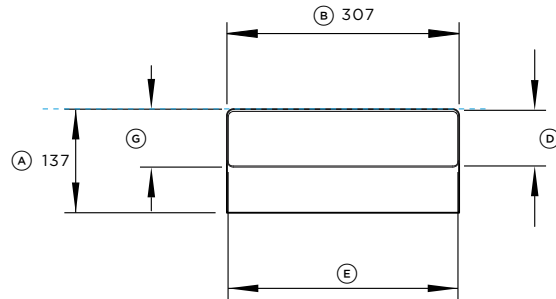
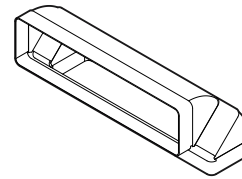


INDICATES CABINETRY / PRODUCT DATUM -----
 INDICATES CABINETRY CLEARANCES -----
 INDICATES CUTOUT -----

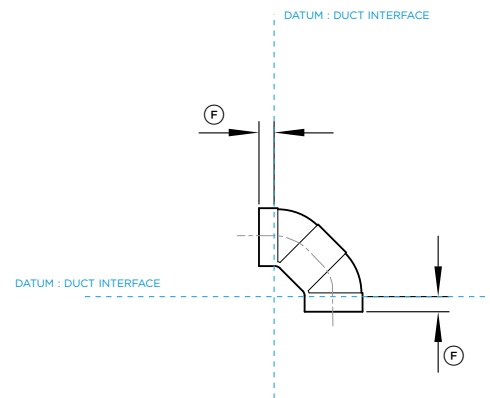
IMPORTANT NOTE: Throughout this guide, dimensions may vary by ±2mm (1/16"). Please read the installation manual for detailed information on installing the product. For full installation instructions & specifications visit fisherpaykel.com



PLAN VIEW



FRONT VIEW



PROFILE VIEW



Optional Part no:

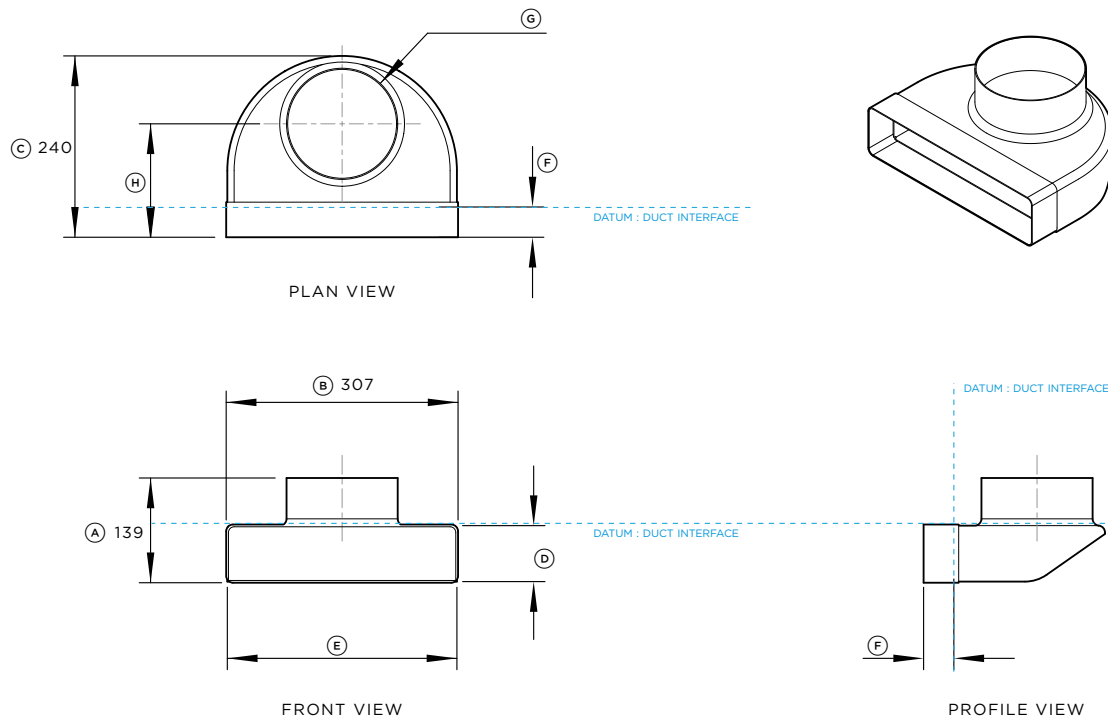
Vertical Elbow, 90°, 300x70mm - E90V30X7

Product Dimensions

	mm
Ⓐ Overall height of ducting	137
Ⓑ Overall width of ducting	307
Ⓒ Overall depth of ducting	137
Ⓓ Internal height of female duct end	74
Ⓔ Internal width of female duct end	304
Ⓕ Internal shoulder depth of female duct end	20
Ⓖ External height of female duct end	74

INDICATES CABINETY / PRODUCT DATUM -----
 INDICATES CABINETY CLEARANCES -----
 INDICATES CUTOUT -----

IMPORTANT NOTE: Throughout this guide, dimensions may vary by ±2mm (1/16"). Please read the installation manual for detailed information on installing the product. For full installation instructions & specifications visit fisherpaykel.com



Optional Part no:

Duct Adaptor, 90°, 150mm Diameter, 300x70mm - DA90D30X7D15

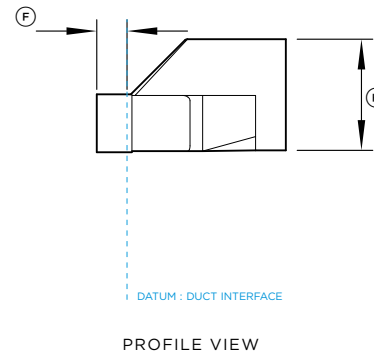
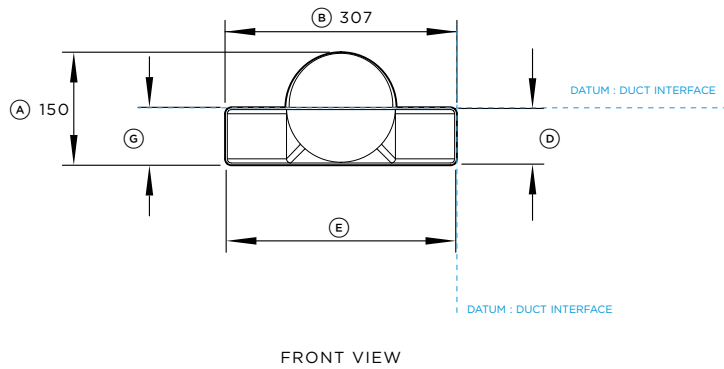
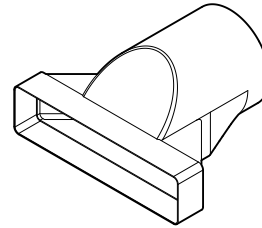
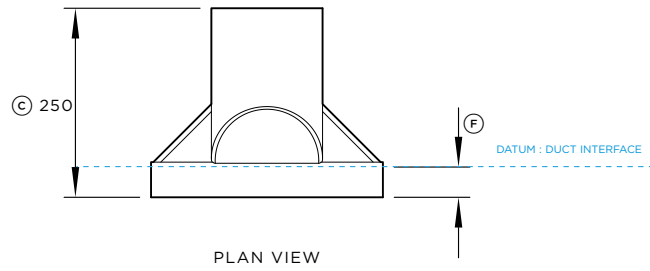
Product Dimensions

	mm
Ⓐ Overall height of adaptor	139
Ⓑ Overall width of adaptor	307
Ⓒ Overall length of adaptor	240
Ⓓ Internal height of female duct end	74
Ⓔ Internal width of female duct end	304
Ⓕ Internal depth of rectangular female duct end	40
Ⓖ External diameter of round female duct end	150
Ⓗ Height from bottom of adaptor to centre of outlets	150



INDICATES CABINERY / PRODUCT DATUM -----
 INDICATES CABINERY CLEARANCES - - - - -
 INDICATES CUTOUT - - - - -

IMPORTANT NOTE: Throughout this guide, dimensions may vary by ±2mm (1/16"). Please read the installation manual for detailed information on installing the product. For full installation instructions & specifications visit fisherpaykel.com



Optional Part no:

Duct Adaptor, 150mm Diameter, 300x70mm - DA30X7D15

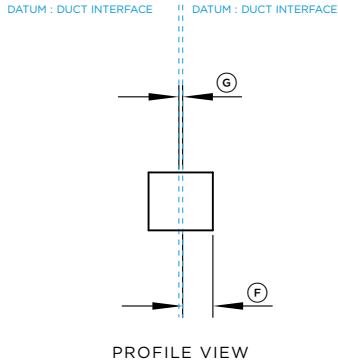
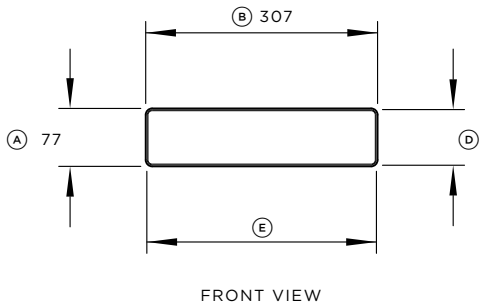
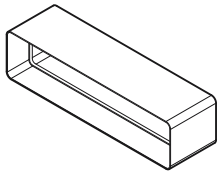
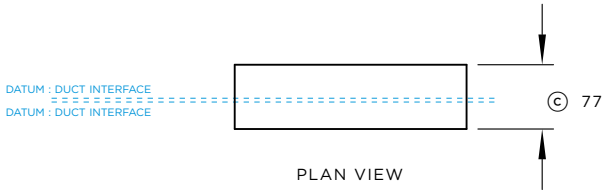
Product Dimensions

	mm
Ⓐ Overall height of adaptor	150
Ⓑ Overall width of adaptor	307
Ⓒ Overall length of adaptor	250
Ⓓ Internal height of rectangular female duct end	74
Ⓔ Internal width of rectangular female duct end	304
Ⓕ Internal depth of rectangular female duct end	40
Ⓖ External height of rectangular female duct end	77
Ⓗ External diameter of round duct female duct end	147



INDICATES CABINETY / PRODUCT DATUM -----
 INDICATES CABINETY CLEARANCES - - - - -
 INDICATES CUTOUT - - - - -

IMPORTANT NOTE: Throughout this guide, dimensions may vary by ±2mm (1/16"). Please read the installation manual for detailed information on installing the product. For full installation instructions & specifications visit fisherpaykel.com



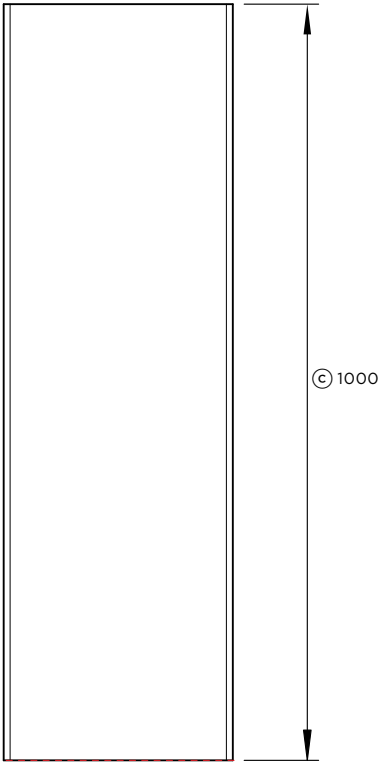
Optional Part no:
Connector, 300x70mm - C30X7

Product Dimensions	mm
Ⓐ Overall height of connector	77
Ⓑ Overall width of connector	307
Ⓒ Overall depth of connector	85
Ⓓ Internal height of connector	74
Ⓔ Internal width of connector	304
Ⓕ Internal depth to shoulder	40
Ⓖ Thickness of internal shoulder divider	5

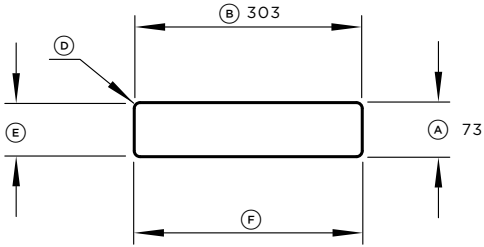
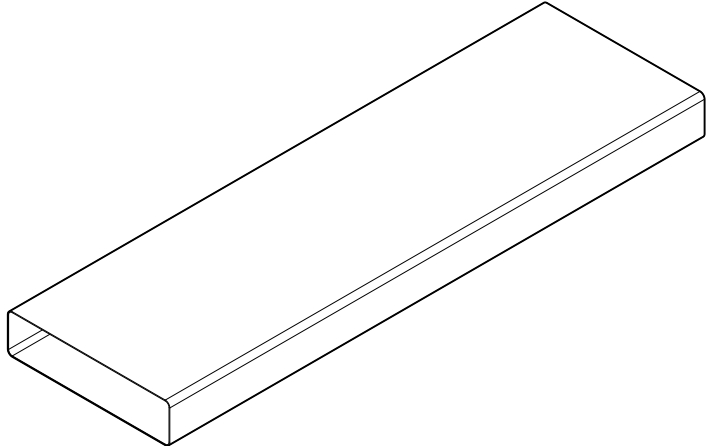


INDICATES CABINETRY / PRODUCT DATUM -----
 INDICATES CABINETRY CLEARANCES - - - - -
 INDICATES CUTOUT - - - - -

IMPORTANT NOTE: Throughout this guide, dimensions may vary by ±2mm (1/16"). Please read the installation manual for detailed information on installing the product. For full installation instructions & specifications visit fisherpaykel.com



PLAN VIEW



FRONT VIEW

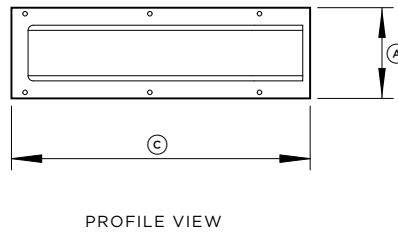
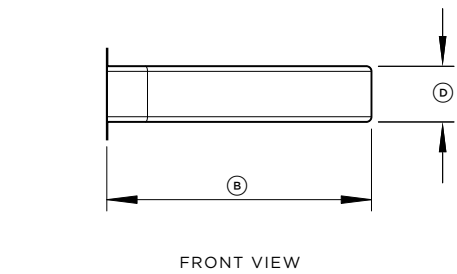
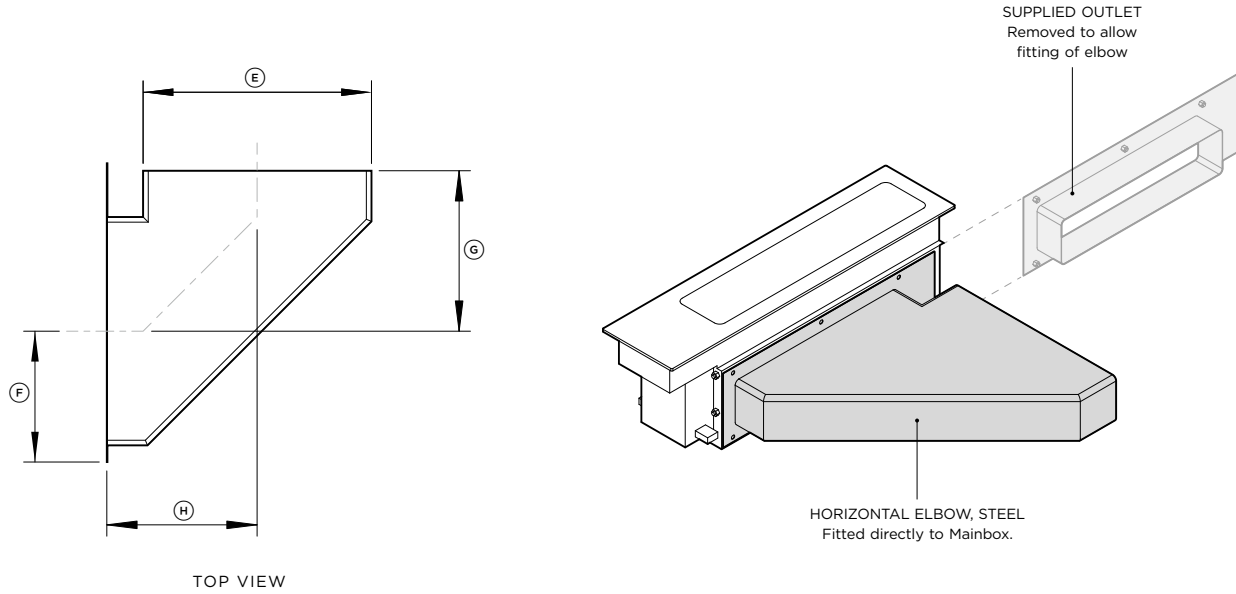


Optional Part no:
Duct, 1m, 300x70mm - D100X30X7

Product Dimensions	mm
Ⓐ Overall height of ducting	73
Ⓑ Overall width of ducting	303
Ⓒ Overall length of ducting	1000
Ⓓ Corner radius of ducting	9
Ⓔ Internal height of ducting	70
Ⓕ Internal width of ducting	300

INDICATES CABINETRY / PRODUCT DATUM
 INDICATES CABINETRY CLEARANCES
 INDICATES CUTOUT

IMPORTANT NOTE: Throughout this guide, dimensions may vary by ±2mm (1/16"). Please read the installation manual for detailed information on installing the product. For full installation instructions & specifications visit fisherpaykel.com



Optional Part no:

Horizontal Elbow, 90°, 300x70mm, Steel - E90H30X7S

Product Dimensions

	mm
Ⓐ Overall height of elbow	120
Ⓑ Overall width of elbow	350
Ⓒ Overall depth of elbow	395
Ⓓ External height of male duct end	74
Ⓔ External width of male duct end	302
Ⓕ Depth from front of component to centre of duct	40
Ⓖ Width from side of elbow to centre of duct	199
Ⓗ Depth from centre of duct to rear of duct	212

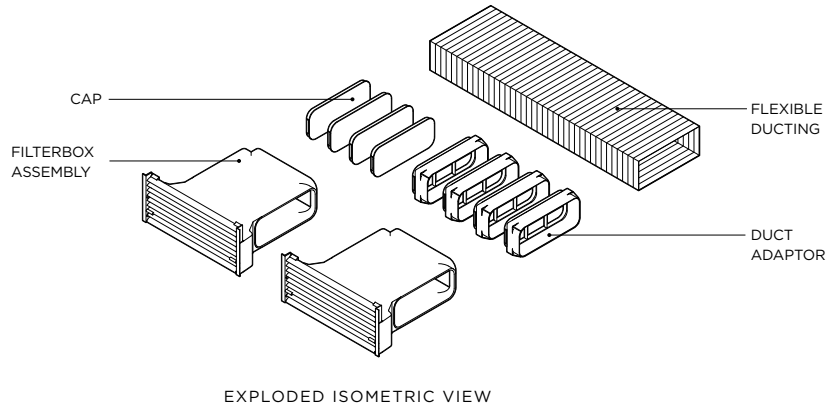
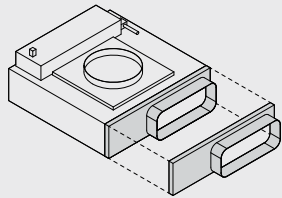
IMPORTANT: Horizontal Steel Elbow must be used over pyrolytic oven.

INDICATES CABINETSRY / PRODUCT DATUM
 INDICATES CABINETSRY CLEARANCES
 INDICATES CUTOUT

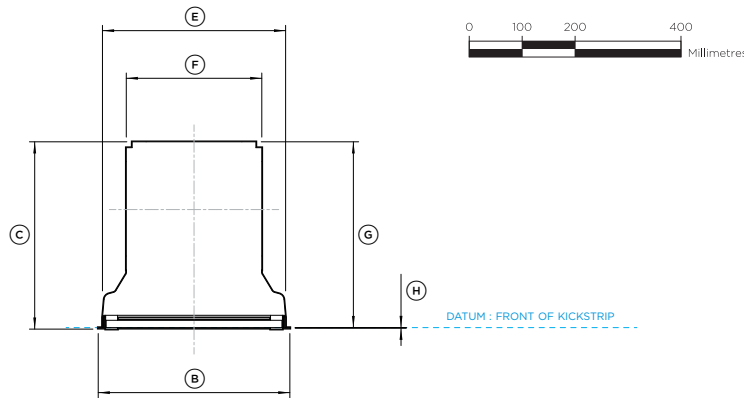
IMPORTANT NOTE: Throughout this guide, dimensions may vary by ±2mm (1/16"). Please read the installation manual for detailed information on installing the product. For full installation instructions & specifications visit fisherpaykel.com

IMPORTANT NOTE

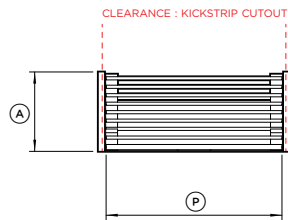
If specifying Recirculation Kit KRCID834 you will also require the Outlet Adaptor, Blower OAB222X89



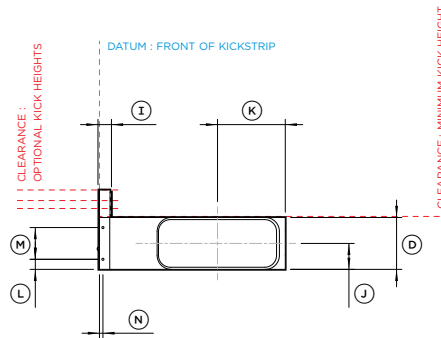
EXPLODED ISOMETRIC VIEW



PLAN VIEW



FRONT VIEW



PROFILE VIEW

Optional Accessory Model no:

Recirculation Kit - KRCID834

Component Description	Quantity
Filter Box Assembly	x2
Duct Adaptor	x4
Cap	x4
3m Flexible Ducting	x1

Product Dimensions

mm

Ⓐ Overall height of filter box assembly (louvres can be trimmed to suit kickstrip)	150/130/115/100
Ⓑ Overall width of filter box assembly	362
Ⓒ Overall depth of filter box assembly	354
Ⓓ Height of filter box	98
Ⓔ Width of filter box at front	346
Ⓕ Width of filter box at rear	256
Ⓖ Depth of filter box (excludes bracket)	351
Ⓗ Depth of bracket flange	1
Ⓘ Depth of bracket and louvres	26
Ⓛ Height from bottom of filter box to centre of outlets	49
Ⓚ Depth from rear of filter box to centre of side outlets	128
Ⓛ Height from bottom of bracket to lower hole centre	19
Ⓜ Height between hole centres	60
Ⓝ Depth from rear of bracket flange to hole centre	7
Ⓞ Hole diameter	4
Ⓟ Width of louvres	332

Kickstrip Dimensions

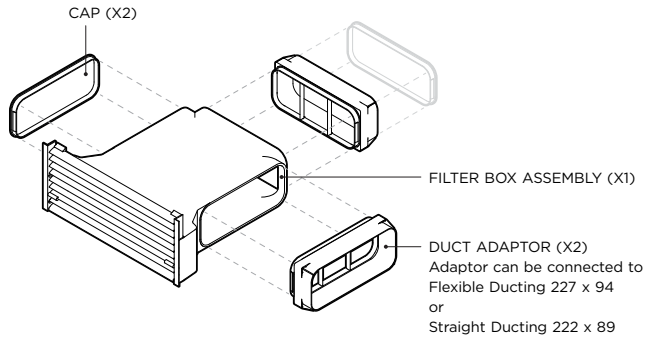
mm

Height of kickstrip (louvres trimmed to suit)	150/130/115/100
Overall width of cutout	347

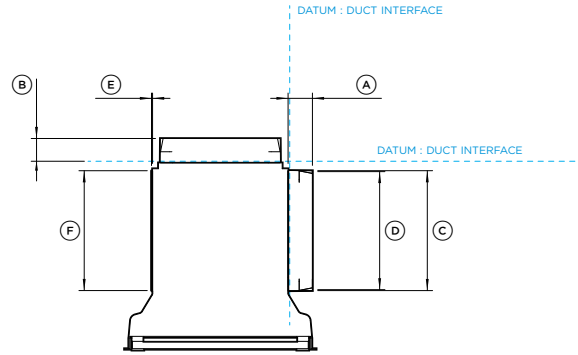
INDICATES CABINETY / PRODUCT DATUM -----
 INDICATES CABINETY CLEARANCES - - - - -
 INDICATES CUTOUT - - - - -

IMPORTANT NOTE: Throughout this guide, dimensions may vary by ±2mm (1/16"). Please read the installation manual for detailed information on installing the product. For full installation instructions & specifications visit fisherpaykel.com

FILTER BOX ASSEMBLY WITH DUCT ADAPTOR AND CAPS - X2 SETS SUPPLIED
 Position of caps and adaptors can be interchanged to suit ducting layout



EXPLODED ISOMETRIC VIEW

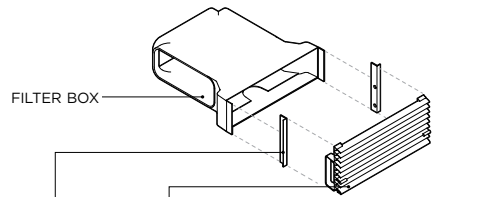


PLAN VIEW

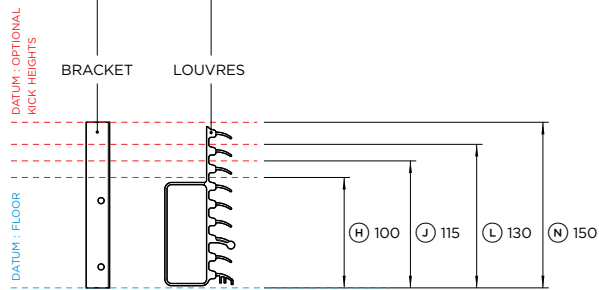
Optional Accessory Model no:
 Recirculation Kit - KRCID834

Product Dimensions

	mm
Ⓐ Distance from edge of duct adaptor to edge of filter box	46
Ⓑ Internal depth of female end of duct adaptor	43
Ⓒ Overall length of duct adaptor	227
Ⓓ Internal length of female end of duct adaptor	223
Overall height of duct adaptor (not shown)	94
Internal height of female end of duct adaptor (not shown)	90
Ⓔ Thickness of cap from edge of filter box	2
Ⓕ Length of cap	226
Height of cap (not shown)	93



EXPLODED ISO VIEW
 FILTER BOX, BRACKETS + LOUVRES



PROFILE VIEW

EXPLODED PROFILE VIEW
 BRACKET + LOUVRES

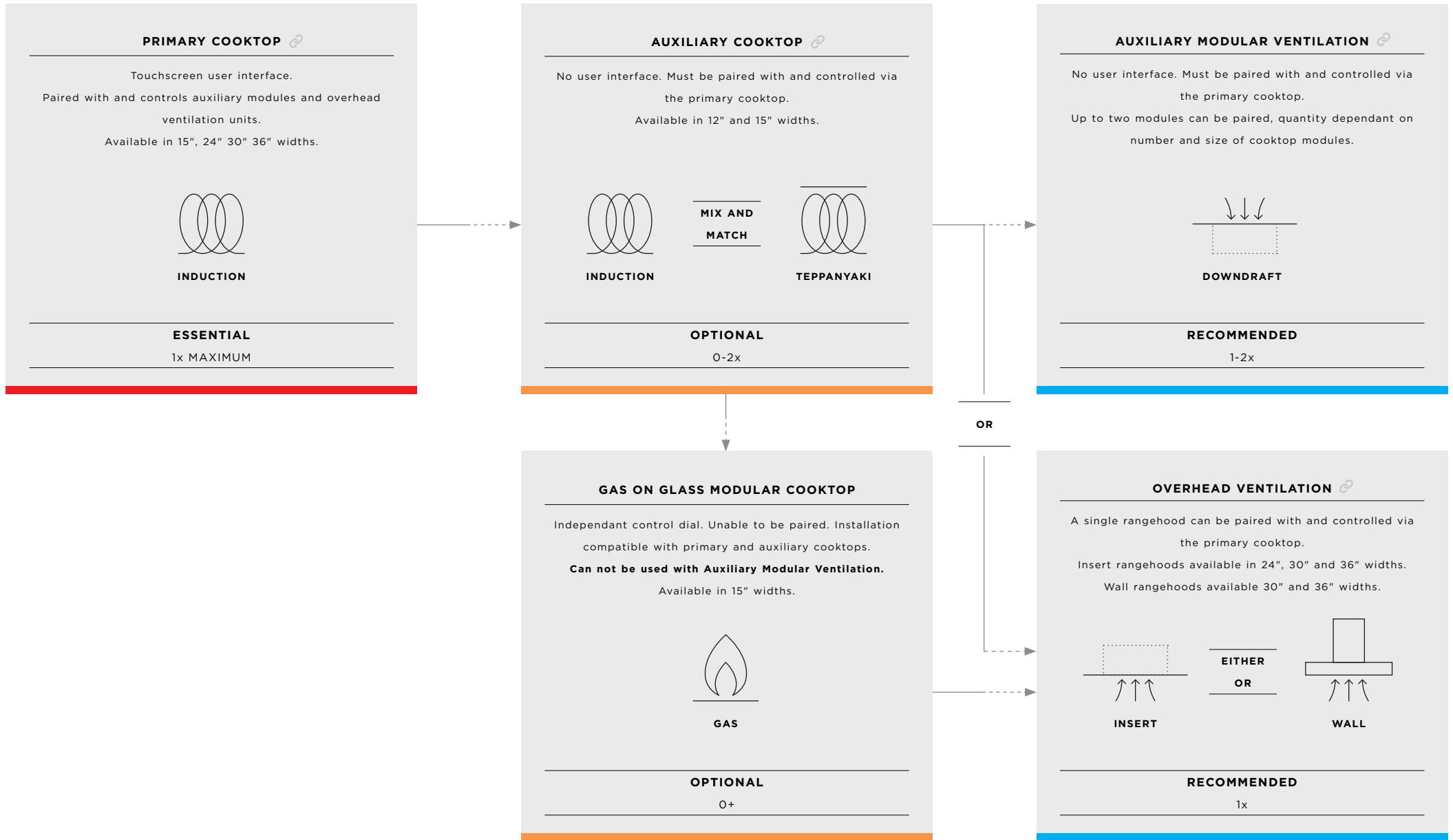
Kickstrip Dimensions

	mm
Height of kickstrip (louvres trimmed to suit)	150/130/115/100
Overall width of cutout	347

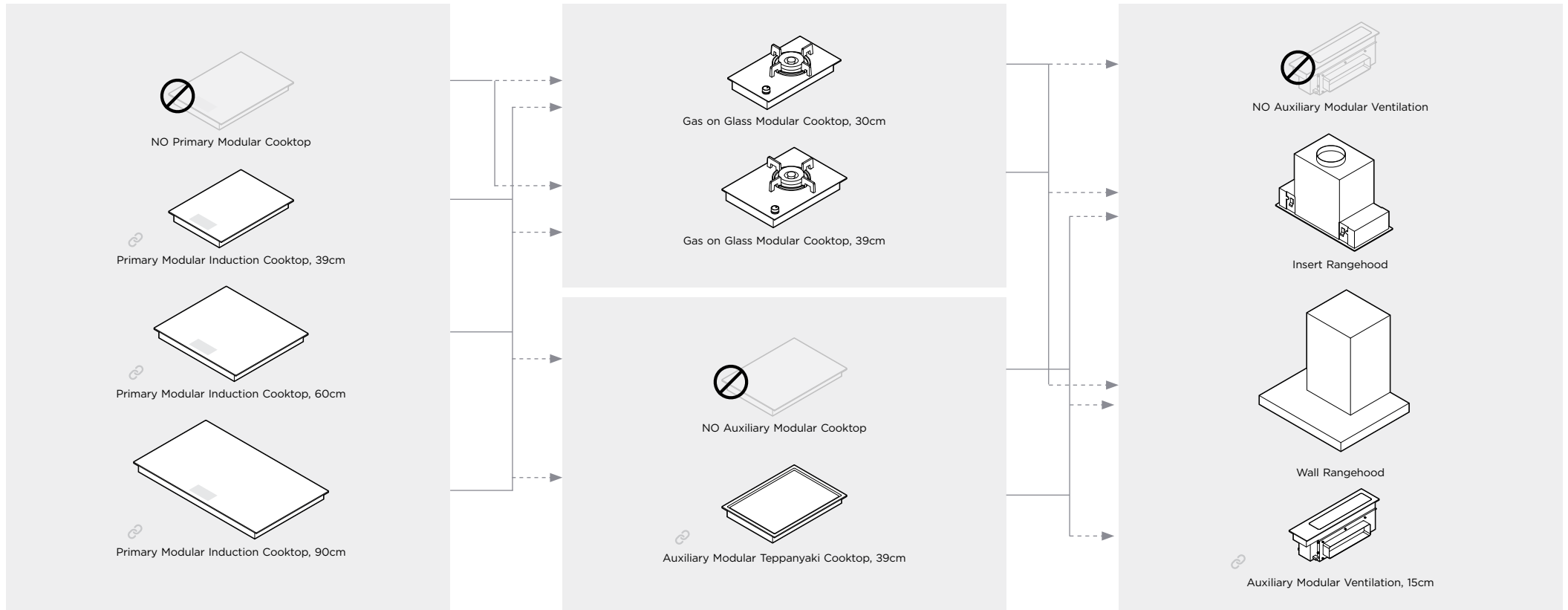
INDICATES CABINETY / PRODUCT DATUM -----
 INDICATES CABINETY CLEARANCES - - - - -
 INDICATES CUTOUT - - - - -

IMPORTANT NOTE: Throughout this guide, dimensions may vary by ±2mm (1/16"). Please read the installation manual for detailed information on installing the product. For full installation instructions & specifications visit fisherpaykel.com

PRODUCT DECISIONS



The models shown in this Planning Guide may not be available in all markets and are subject to change at any time. Product specifications may vary from those shown. This Planning Guide should not be used as installation guidance for any product. Further information is required to safely and correctly install the products featured here. Specific installation guidance will be available with the product on delivery and on our website fisherpaykel.com



Primary cooktops have a touchscreen via which the Auxiliary Induction, Teppanyaki and Ventilation modules are controlled. Gas on Glass modules are independently controlled and can not be paired with a Primary module.

PRIMARY MODULAR COOKTOPS - connected

	Black Glass	Grey Glass
Primary Modular Induction Cooktop, 39cm	CI392DTTB1	CI392DTTG1
Primary Modular Induction Cooktop, 60cm	CI604DTTB1	CI604DTTG1
Primary Modular Induction Cooktop, 90cm	CI905DTTB1	CI905DTTG1

Mix and match up to 2x Auxiliary cooktops and multiple Gas on Glass modules.

GAS ON GLASS MODULAR COOKTOPS - not connected

	Black Glass	Grey Glass
Gas on Glass Modular Cooktop, 30cm, Natural Gas	JZT-CG301DNGGB5	JZT-CG301DNGGG5
Gas on Glass Modular Cooktop, 39cm, Natural Gas	JZT-CG391DNGGB5	JZT-CG391DNGGG5

AUXILIARY MODULAR COOKTOP - connected

Auxiliary Modular Teppanyaki Cooktop, 39cm	CIT392DX1
--	------------------

Ventilation options are dependant on module sizes, pairings and cook type. Overhead ventilation can be used for all cook types. Modular downdraft ventilation can only be installed with Induction and Teppanyaki modules, do not install with Gas on Glass.

AUXILIARY MODULAR VENTILATION - connected

	Black Glass	Grey Glass
Auxiliary Modular Ventilation, 15cm	CD13DB1	CD13DG1

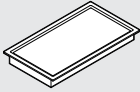
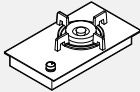
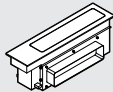
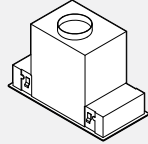
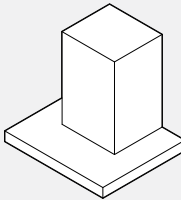
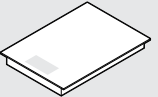
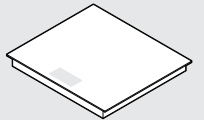
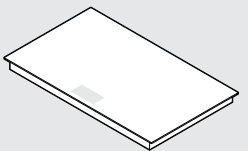
OVERHEAD VENTILATION - not connected

Refer to website for available models

The models shown in this Planning Guide may not be available in all markets and are subject to change at any time. Product specifications may vary from those shown. This Planning Guide should not be used as installation guidance for any product. Further information is required to safely and correctly install the products featured here. Specific installation guidance will be available with the product on delivery and on our website fisherpaykel.com

PLEASE NOTE

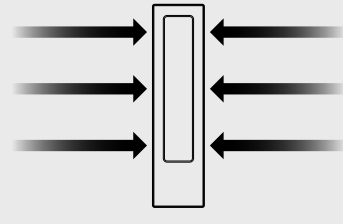
Alternative non-connected rangehood width and styles are available.

		 AUXILIARY COOKTOP CONNECTED x0-2	 GASS ON GLASS COOKTOP NOT connected x0-2	COMBINED COOKTOP WIDTH Width of cooktop(s) must be equal to or smaller than rangehood width	 AUXILIARY VENTILATION CONNECTED x1-2	 INSERT RANGEHOOD NOT connected x1		 WALL RANGEHOOD NOT connected x1			
		39cm CI392DX1	30cm JZT-CG301DNNG 39cm JZT-CG391DNNG		DOWNDRAFT CD13D	90cm HPB9048-2	120cm HPB12048-2	90cm, Tilt Chimney HT90GCX1	90cm, Box Chimney HC90BCX1 HC90BCX2		
PRIMARY COOKTOP CONNECTED x1		39cm CI392DTT		39cm	x1	x1		x1			
				x1 30cm	69cm		x1		x1	x1	
			x1 39cm		78cm	x1	x1		x1	x1	
				x1 39cm	78cm		x1		x1	x1	
			x1 39cm	x1 30cm	108cm			x1			
			x2 39cm		117cm	x2		x1			
		60cm CI604DTT			60cm	x2	x1		x1	x1	
				x1 30cm	90cm		x1		x1	x1	
			x1 39cm		99cm	x2		x1			
				x1 39cm	99cm			x1			
			x2 30cm		120cm			x1			
					90cm		x1		x1	x1	
				x1 30cm	120cm			x1			
			Wider cooktop combinations are not able to be vented by modular ventilation or a single overhead unit.								
			Wider cooktop combinations are not able to be vented by modular ventilation or a single overhead unit.								

The models shown in this Planning Guide may not be available in all markets and are subject to change at any time. Product specifications may vary from those shown. This Planning Guide should not be used as installation guidance for any product. Further information is required to safely and correctly install the products featured here. Specific installation guidance will be available with the product on delivery and on our website fisherpaykel.com

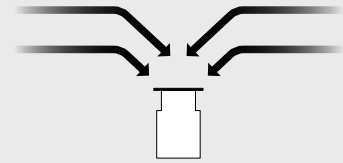
DOWNDRAFT VENTILATION

The modular ventilation unit is a downdraft ventilation system that efficiently extracts air across and downwards.



TOP VIEW

The modular ventilation unit provides efficient ventilation to adjacent cook zones. Consideration of cook zone layout and cook module size is critical for optimum pairing of ventilation type and quantity.

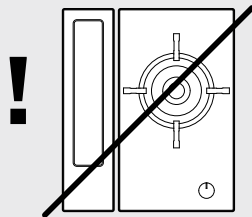


FRONT VIEW

Important: Where modular ventilation is unable to provide efficient venting it is recommended that overhead extraction is chosen.

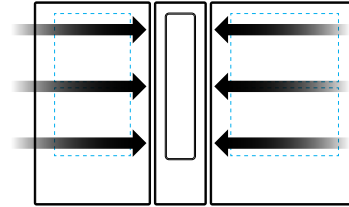
WARNING:

Modular Ventilation cannot be used alongside a gas Cooktop.

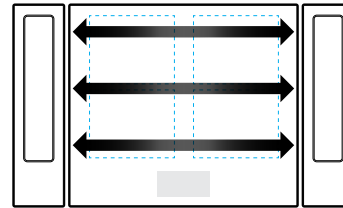


SUFFICIENT VENTILATION

ADJACENT COOKZONES ARE EFFECTIVELY VENTED



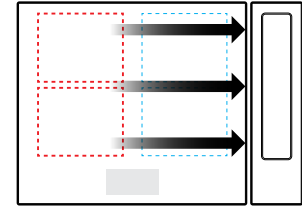
30CM + 39CM MODULES



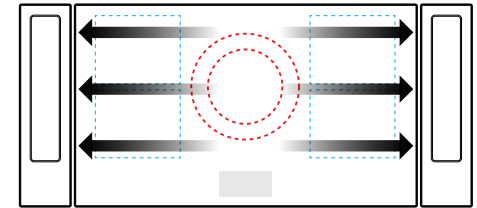
60CM PRIMARY MODULE WITH 2X DOWNDRAFT

INSUFFICIENT VENTILATION

NON-ADJACENT COOKZONES ARE NOT SUFFICIENTLY VENTED



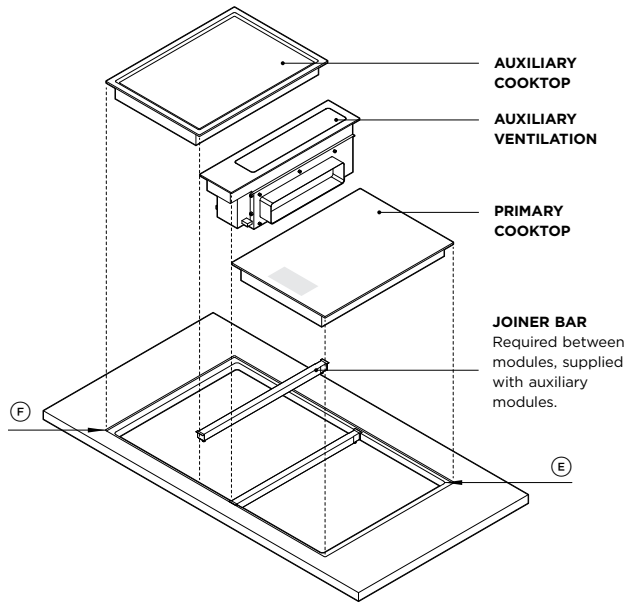
60CM PRIMARY MODULE WITH 1X DOWNDRAFT



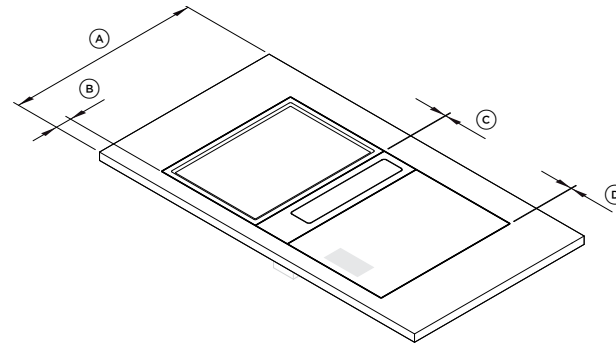
90CM PRIMARY MODULE WITH 2X DOWNDRAFT

The models shown in this Planning Guide may not be available in all markets and are subject to change at any time. Product specifications may vary from those shown. This Planning Guide should not be used as installation guidance for any product. Further information is required to safely and correctly install the products featured here. Specific installation guidance will be available with the product on delivery and on our website fisherpaykel.com

PLANNING CONSIDERATIONS



INSTALLATION OVERVIEW



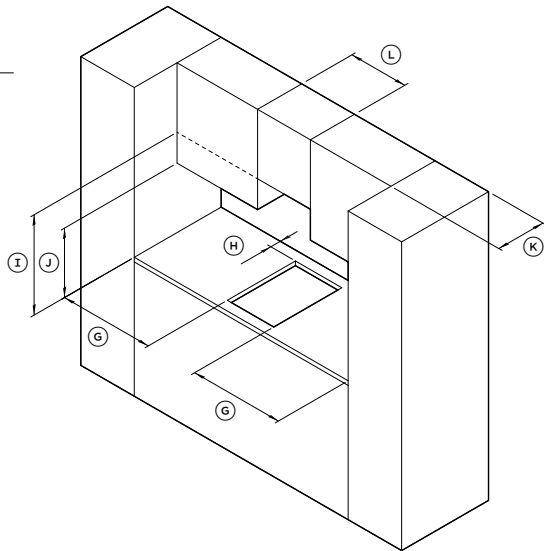
BENCHTOP DIMENSIONS		mm
Ⓐ	Minimum benchtop depth *	600
	- Induction and teppanyaki	665
	- with gas on glass cooktop	600
	- with auxiliary ventilation, ducting routed below cooktops **	700
Ⓑ	Nominal distance from front of benchtop to front of cooktop ***	60
Ⓒ	Distance between modules	2
Ⓓ	Distance between edge of module and edge of recess	2
Ⓔ	Corner radii of cutout	max 10
Ⓕ	Corner radii of recess	4

* Based on nominal distance 'B'
 ** Guideline only, based on cabinetry constructed from 19mm panels and generic ducting layout. May vary due to specific cabinetry requirements and ducting layout.
 *** Nominal dimension, can be altered to suit aesthetic, cabinetry and benchtop requirements.

IMPORTANT NOTE

Cutout widths and radii may not be possible in certain benchtop materials.
 Please refer to suppliers material specifications and fabrication parameters.

CLEARANCE OVERVIEW



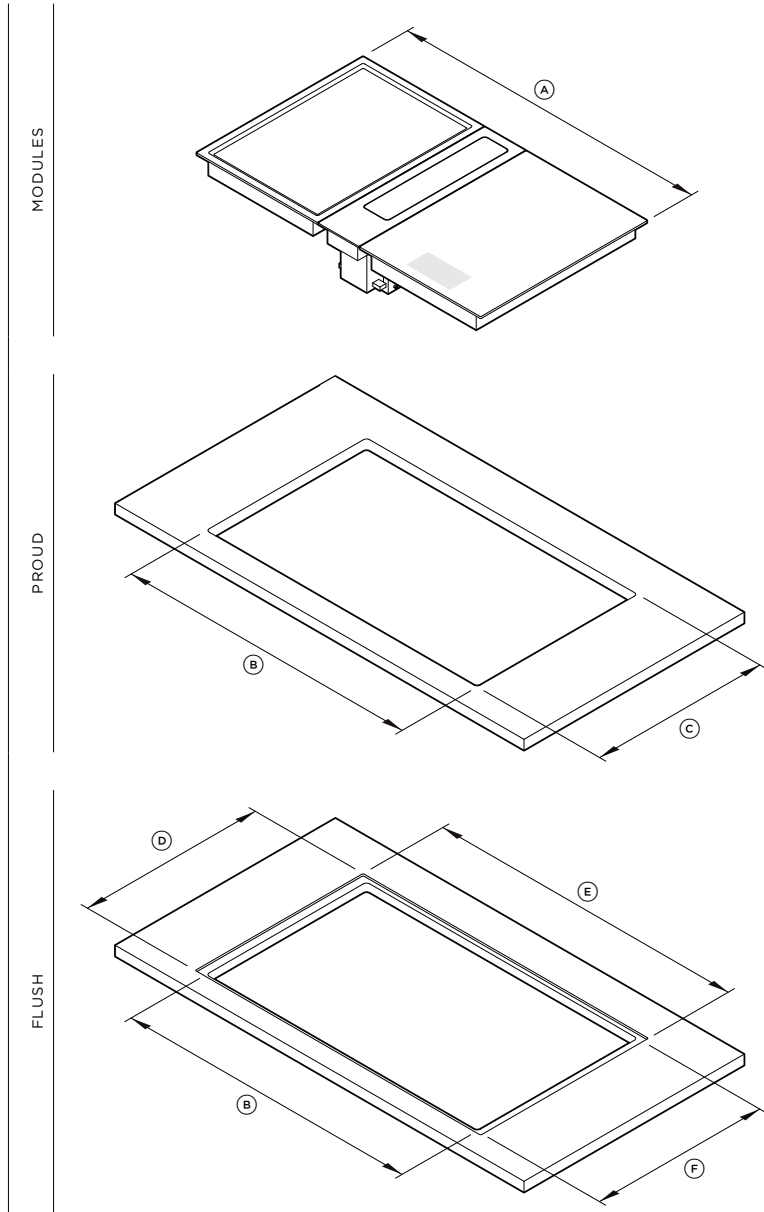
CABINERY CLEARANCE DIMENSIONS

	Induction & Tepanyaki	Gas on Glass	
	mm	mm	
Ⓖ Minimum clearance from side edges of cutout to nearest combustible surface	29	120	
Ⓗ Minimum clearance from rear edge of cutout to nearest combustible surface	21	85	
Ⓙ Minimum clearance from benchtop to:			
	Overhead cabinet centered above the cooktop (non combustible)	500	500
	Rangehood or downward facing combustible surface	610	650
	Overhead exhaust fan	610	800
Ⓚ Minimum clearance from benchtop to overhead cabinet not directly above cooktop	450	450	
Ⓛ Maximum depth of overhead cabinetry	330	330	
Ⓜ Minimum distance between overhead cabinets (not centered above cooktop)	combined cooktop width	combined cooktop width	

IMPORTANT NOTE

Gas on Glass modules have greater clearance requirements compared to Induction and Tepanyaki modules. For multiproduct installations ensure clearances are achieved for the product with the greater clearance requirements.

The models shown in this Planning Guide may not be available in all markets and are subject to change at any time. Product specifications may vary from those shown. This Planning Guide should not be used as installation guidance for any product. Further information is required to safely and correctly install the products featured here. Specific installation guidance will be available with the product on delivery and on our website fisherpaykel.com



COMBINED BENCHTOP EQUATIONS

Pairings of modular products have been designed to fit in a singular benchtop cutout. When grouping modules it is essential to calculate their combined cutout requirements. The following equations can be used to guide calculations.
For dimensions of common configurations please refer to subsequent pages.

(A)	OVERALL WIDTH OF MODULES	=	COMBINED PRODUCT WIDTHS add module widths	+	GAPS BETWEEN MODULES 2mm x (number of modules -1)
-----	--------------------------	---	--	---	--

(B)	WIDTH OF CUTOUT FLUSH AND PROUD	=	OVERALL WIDTH OF MODULES	-	LEFT OVERHANG 19mm Cooktops OR 16mm Downdraft	-	RIGHT OVERHANG 19mm Cooktops OR 16mm Downdraft
-----	------------------------------------	---	--------------------------	---	---	---	--

(C)	DEPTH OF CUTOUT PROUD	=	507mm
-----	--------------------------	---	-------

(B)	WIDTH OF CUTOUT FLUSH AND PROUD	=	OVERALL WIDTH OF MODULES	-	LEFT OVERHANG 19mm Cooktops OR 16mm Downdraft	-	RIGHT OVERHANG 19mm Cooktops OR 16mm Downdraft
-----	------------------------------------	---	--------------------------	---	---	---	--

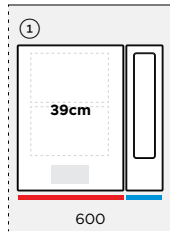
(D)	DEPTH OF CUTOUT FLUSH	=	509mm
-----	--------------------------	---	-------

(E)	WIDTH OF RECESS FLUSH	=	OVERALL WIDTH OF MODULES	+	4mm 2mm each side
-----	--------------------------	---	--------------------------	---	----------------------

(F)	DEPTH OF RECESS FLUSH	=	534mm	=	530mm product depth	+	4mm 2mm top and bottom
-----	--------------------------	---	-------	---	------------------------	---	---------------------------

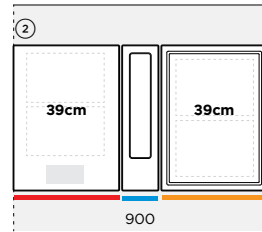
The models shown in this Planning Guide may not be available in all markets and are subject to change at any time. Product specifications may vary from those shown. This Planning Guide should not be used as installation guidance for any product. Further information is required to safely and correctly install the products featured here. Specific installation guidance will be available with the product on delivery and on our website fisherpaykel.com

SINGLE - COMPACT <600

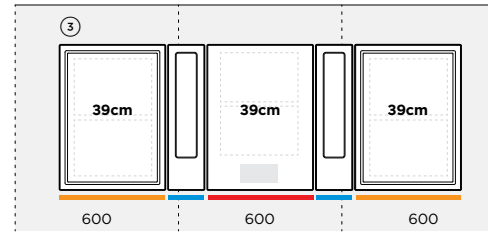


- PRIMARY COOKTOP
- AUXILIARY COOKTOP
- AUXILIARY VENTILATION

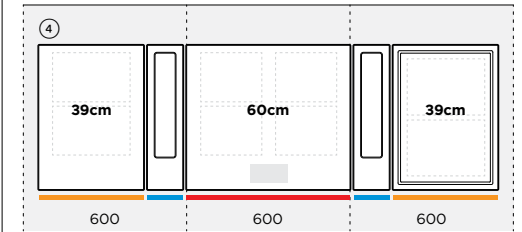
TWO IN A ROW - MID 900



THREE IN A ROW - WIDE >1400



THREE IN A ROW - EXTRA WIDE >1600



① **SINGLE WITH MODULAR VENTILATION - 39**

Dimensions	W x D x H
Combined Module Size	517 x 530 x 180
Recess, flush	521 x 534 x 6.5
Cutout, flush*	482 x 509
Cutout, proud*	482 x 507

*Cutout width not central to overall width of modules. Offset specific to placement of downdraft unit to the left or right. Side overhangs differ for downdraft and cooktop - downdraft 16mm, cooktops 19mm. Refer 'Benchtop Installation Details' for more information.

② **TWO IN A ROW WITH MODULAR VENTILATION - 39+39**

Dimensions	W x D x H
Combined Module Size	904 x 530 x 180
Recess, flush	908 x 534 x 6.5
Cutout, flush*	862* x 509
Cutout, proud*	862* x 507

*Glass overhang at sides adjusted to fit 900mm cabinet. Dimensions specific to 900 cabinet constructed from 19mm panels. 866W cutout recommended if cabinetry construction allows.

③ **THREE IN A ROW WITH MODULAR VENTILATION - 39+39+39**

Dimensions	W x D x H
Combined Module Size	1423 x 530 x 180
Recess, flush	1427 x 534 x 6.5
Cutout, flush	1385 x 509
Cutout, proud	1385 x 507

④ **THREE IN A ROW WITH MODULAR VENTILATION - 60+39+39**

Dimensions	W x D x H
Combined Module Size	1638 x 530 x 180
Recess, flush	1642 x 534 x 6.5
Cutout, flush	1600 x 509
Cutout, proud	1600 x 507

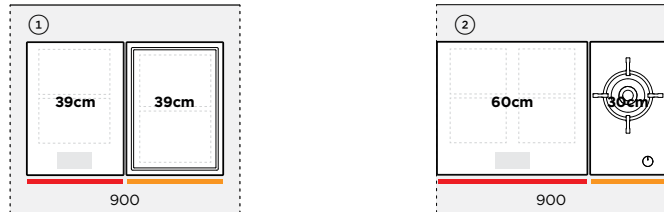
IMPORTANT NOTE

Other configurations are possible. Cutout widths may not be possible in certain benchtop materials. Please refer to benchtop suppliers material specifications and fabrication parameters.

WARNING : GAS ON GLASS MODULES CAN NOT BE USED WITH DOWNDRAFT MODULAR VENTILATION.

The models shown in this Planning Guide may not be available in all markets and are subject to change at any time. Product specifications may vary from those shown. This Planning Guide should not be used as installation guidance for any product. Further information is required to safely and correctly install the products featured here. Specific installation guidance will be available with the product on delivery and on our website fisherpaykel.com

MID <900



— PRIMARY COOKTOP
— AUXILIARY OR GAS ON GLASS COOKTOP

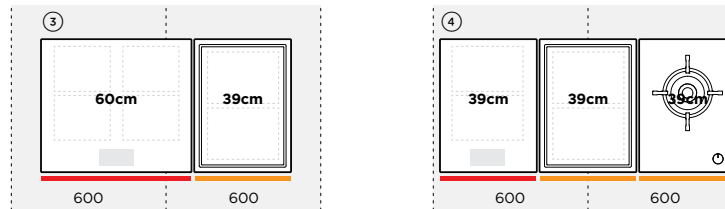
① TWO IN A ROW - 39 + 39

Dimensions	W x D x H
Combined Module Size	772 x 530 x 74
Recess, flush	776 x 534 x 6.5
Cutout, flush	734 x 509
Cutout, proud	734 x 507

② TWO IN A ROW - 60 + 30

Dimensions	W x D x H
Combined Module Size	902 x 530 x 74
Recess, flush	906 x 534 x 6.5
Cutout, flush	870 x 509
Cutout, proud	870 x 507

WIDE <1200



③ TWO IN A ROW - 60 + 39

Dimensions	W x D x H
Combined Module Size	987 x 530 x 74
Recess, flush	991 x 534 x 6.5
Cutout, flush	949 x 509
Cutout, proud	949 x 507

④ THREE IN A ROW - 39 + 39 + 39

Dimensions	W x D x H
Combined Module Size	1159 x 530 x 74
Recess, flush	1163 x 534 x 6.5
Cutout, flush	1121 x 509
Cutout, proud	1121 x 507

IMPORTANT NOTE

Other configurations are possible. Cutout widths may not be possible in certain benchtop materials. Please refer to benchtop suppliers material specifications and fabrication parameters.

The models shown in this Planning Guide may not be available in all markets and are subject to change at any time. Product specifications may vary from those shown. This Planning Guide should not be used as installation guidance for any product. Further information is required to safely and correctly install the products featured here. Specific installation guidance will be available with the product on delivery and on our website fisherpaykel.com

BENCHTOP INSTALLATION

A flush or proud finish between the top surface of the modules and benchtop is achievable.

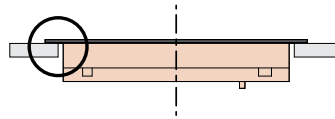
Some overhang details are common left to right or front to back, however there are small dimensional changes between proud and flush, cooking modules and ventilation module.

Care needs to be taken during planning and fabrication to ensure successful installation of modules

Shimming may be required during flush installation.

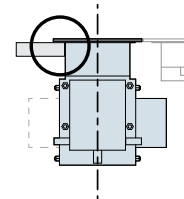
SIDE OVERHANGS

COOKTOP MODULES



FRONT VIEW

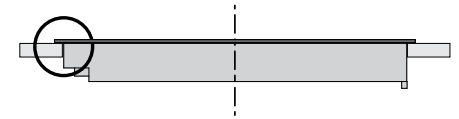
DOWNDRAFT MODULE



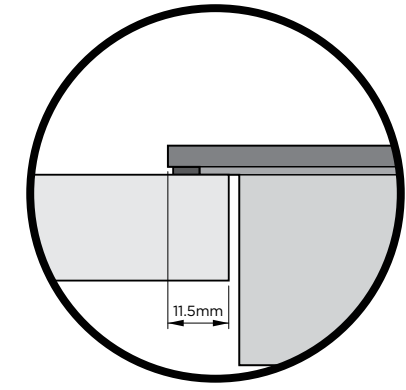
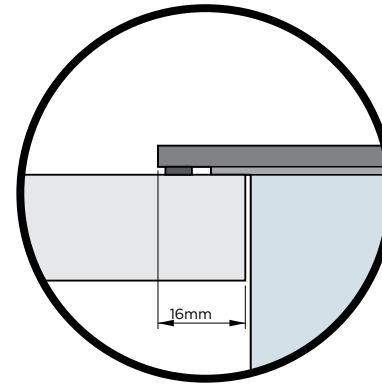
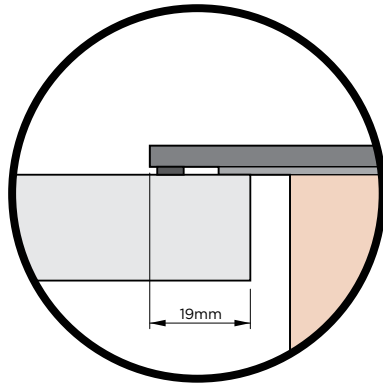
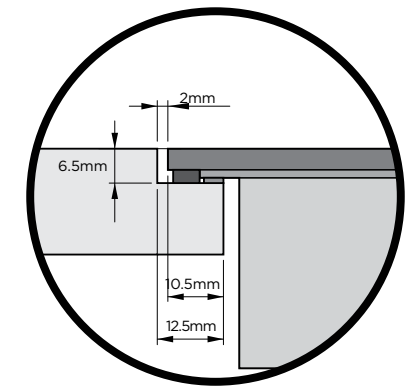
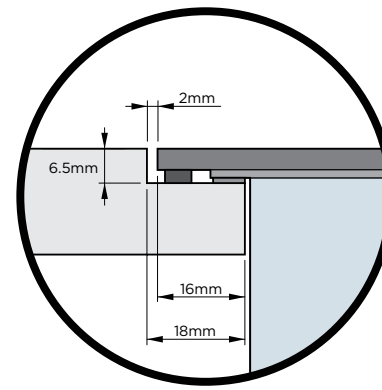
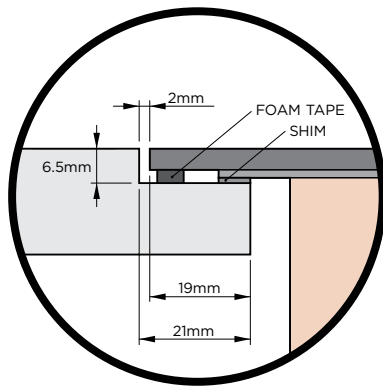
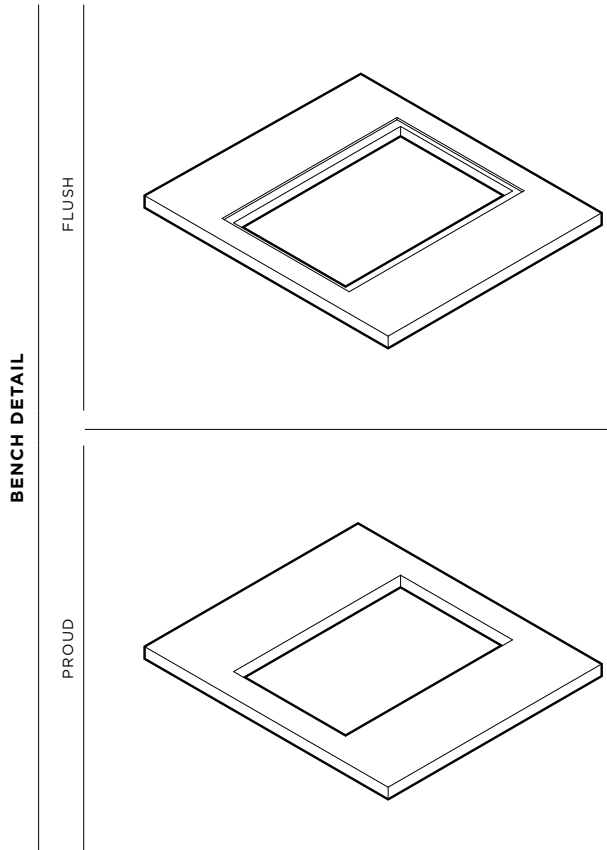
FRONT VIEW

FRONT + REAR OVERHANG

ALL MODULES



PROFILE VIEW

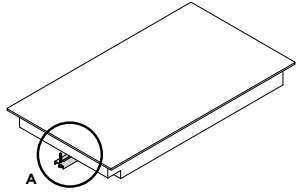


The models shown in this Planning Guide may not be available in all markets and are subject to change at any time. Product specifications may vary from those shown. This Planning Guide should not be used as installation guidance for any product. Further information is required to safely and correctly install the products featured here. Specific installation guidance will be available with the product on delivery and on our website fisherpaykel.com

BRACKET TYPES

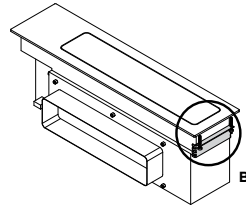
COMMON BRACKET

Applies to all bracket locations, excluding rear downdraft



ISO FRONT VIEW

REAR DOWNDRAFT BRACKET



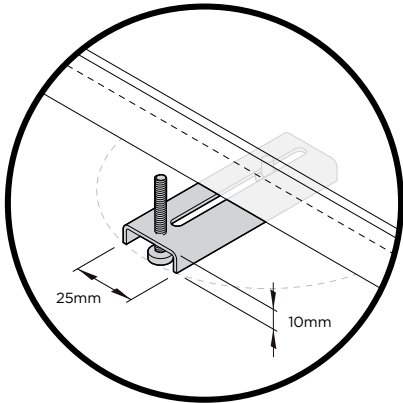
ISO REAR VIEW

CLEARANCE REQUIREMENTS

ALL MODULES

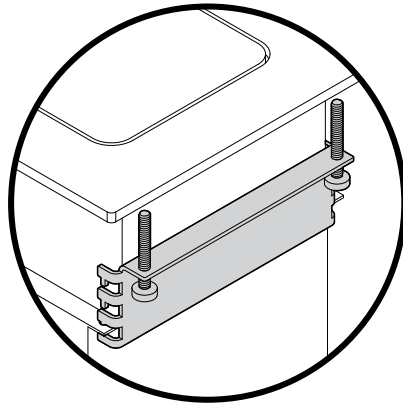


SIDE VIEW



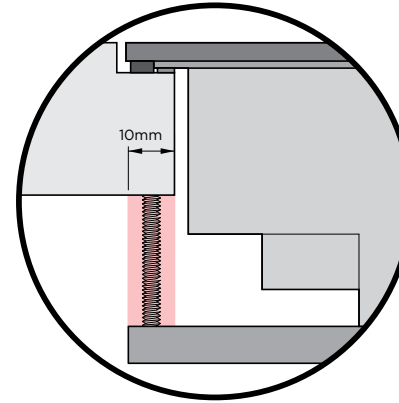
DETAIL A

Can be rotated and moved horizontally



DETAIL B

Bracket can be repositioned vertically



DETAIL C

Minimum clearance common to all brackets left/right and front/rear

CLAMPS

Clamps are supplied with modules to secure their position to benchtop. There are two types, common and rear downdraft.

It is recommended to have 10mm clearance from edge of cutout for clamp engagement.

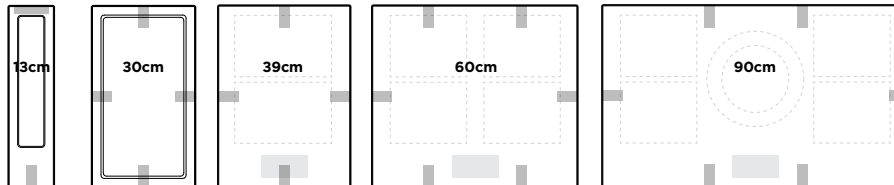
Clamps are attached to chassis at fixed hole locations. A minimum of 2 clamps are required per module, it is recommended they are positioned on opposite sides of each module eg. left and right or front and rear.

For more details please refer to Installation Guide.

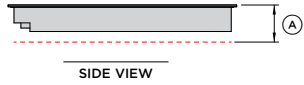
CLAMP FIXING LOCATIONS

PLAN VIEW

Minimum of 2 clamps per module.



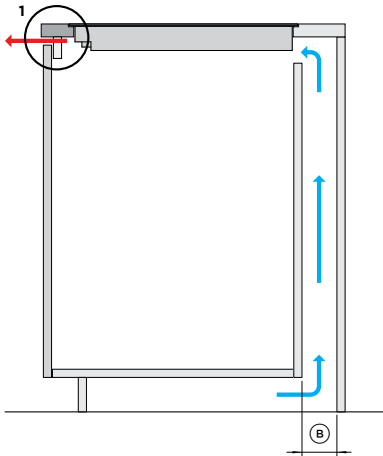
The models shown in this Planning Guide may not be available in all markets and are subject to change at any time. Product specifications may vary from those shown. This Planning Guide should not be used as installation guidance for any product. Further information is required to safely and correctly install the products featured here. Specific installation guidance will be available with the product on delivery and on our website fisherpaykel.com



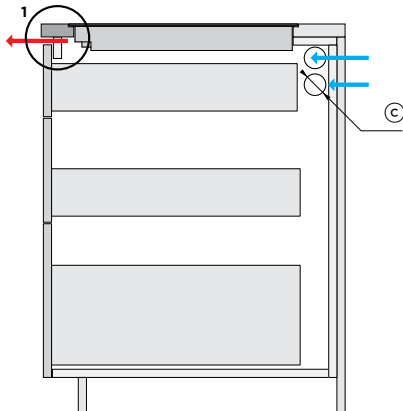
CLEARANCE REQUIREMENTS
Modules require clearance below chassis to ensure air flow.



VENTILATION REQUIREMENTS
Air intake at rear, outlet at front



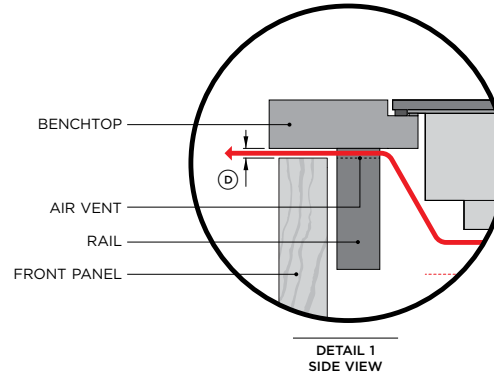
INTAKE OPTION A: SERVICE CHANNEL
Fresh air is drawn up from the kick cavity through service channel at rear of cabinetry. If cavities are tightly sealed, ventilation holes in kick panel are required.



INTAKE OPTION B: ADJACENT CABINETS
2x Ø50 holes are required in each side wall through to adjacent cabinets. Total of 4x holes required.

VENTILATION OUTLET

Hot air from cook modules must be able to exit at front of cabinets, the most direct route is recommended. The detail below shows one solution where cutouts have been made in the support rail at front of cabinet, other routes are possible but must meet dimensional guidelines in table.

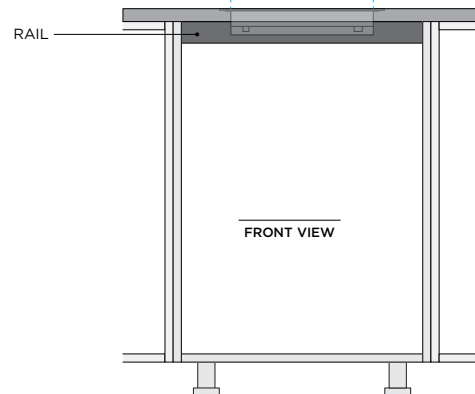
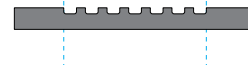


EXAMPLE VENTILATION CUTOUTS

Single cutout in rail, full width of chassis, 4mm high.



Example of alternate cutout where equivalent ventilation area is achieved.



VENTILATION OVERVIEW

The Induction and Teppanyaki modules require ventilation to allow cooling of the electronic components within the chassis. Cooling fans are located on the base of the product drawing cool air into the rear of the product while hot air exits from vents at the front.

Provisions are required in cabinetry to allow fresh air to enter and hot air to exit to ensure product ventilation and optimum product performance. When multiple products are installed their individual ventilation requirements must also be combined.

Gas on Glass modules do not require ventilation.

CLEARANCE REQUIREMENTS	mm
Ⓐ Clearance below chassis from top of cook surface	
- Induction	72
- Teppanyaki	86
- Gas on Glass	76

VENTILATION REQUIREMENTS		
INTAKE at rear	mm	cm ²
Ⓑ via service channel, min depth	20	-
Ⓒ through adjacent cabinets, per side wall*	2x Ø50	40
OUTLET at front*	w x h	cm ²
Ⓓ 4mm gap along width of chassis		
30cm cook module	255 x 4	10
39cm cook module	340 x 4	14
60cm cook module	555 x 4	22
76cm cook module	715 x 4	30
90cm cook module	855 x 4	34

* vents with equivalent-sized area possible. Must be positioned in front of product.

The models shown in this Planning Guide may not be available in all markets and are subject to change at any time. Product specifications may vary from those shown. This Planning Guide should not be used as installation guidance for any product. Further information is required to safely and correctly install the products featured here. Specific installation guidance will be available with the product on delivery and on our website fisherpaykel.com

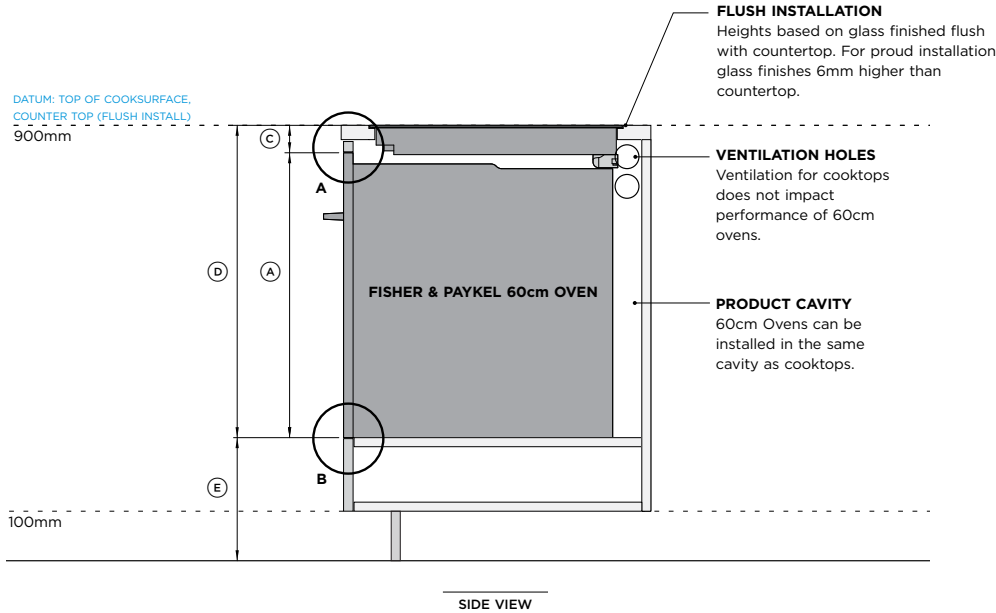
INSTALLATION WITH OVENS

Fisher & Paykel 60cm Built in Ovens can be installed under modular cooktops.

This overview is based on minimum vertical clearance requirements between cooktop, oven and cabinetry (where required). A benchtop height of 900mm has been used for calculations.

When installing multiple cooktops the product with the greatest height to oven should be used to determine cabinetry requirements.

For complete oven specifications please refer to specific Planning and Installation Guides and CAD.



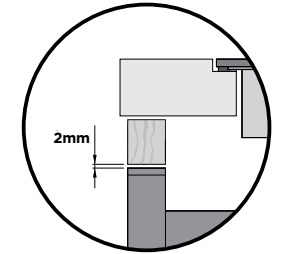
BUILT IN OVEN DIMENSIONS		mm
60cm Oven - OS60SMTDG1, OS60SMTDB1, OS60SDTDX2, OS60SMTNB1, OS60SMTNG1, OB60SMPTDG1, OB60SMPTDB1, OB60SDPTDX2, OB60SMPTNG1, OB60SMPTNB1, OB60SM16PLG1, OB60SM16PLB1, OB60SD16PLX, OB60SD13PLX1, OB60SM11PLB1, OB60SD11PLX1, OB60SD9PLX1		
(A) Height of oven		598
Width of oven		596

CABINERY DIMENSION OVERVIEW		mm	mm	mm	mm
60cm Oven		Induction 60cm, 90cm	Teppanyaki 39cm	Gas on Glass 30cm, 39cm	Modular Ventilation
(C) Minimum height from top of cooksurface to top of oven		61	63	53	164
(D) Minimum height from top of cooksurface to bottom of oven		659	661	651	762
(E) Resulting height from bottom of oven to floor *		241	229	263	138

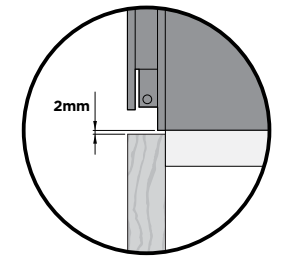
* Based on countertop height of 900mm with cooktops installed flush with benchtop, with cooktops and ovens installed to minimum clearance specifications.

OVEN CLEARANCE TO PANELS

A minimum vertical clearance of 2mm is required between ovens and cabinetry front panels. The clearance above an oven can contribute to ventilation requirements of cooktops (refer previous page).



DETAIL A - TOP OF OVEN



DETAIL B - BASE OF OVEN

CABINETY OVERVIEW

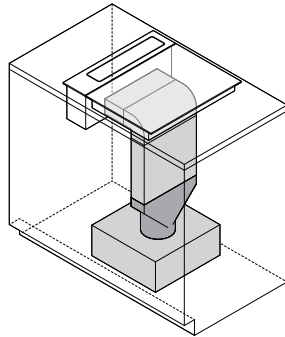
These are representational illustrations of cabinetry and minimal ducting to provide minimum cabinetry guidelines. Benchtop depths are driven by ducting requirements within cabinetry.

Other ducting layouts are possible.

Benchtop and cabinetry dimensions should be adapted to suit requirements specific to location, materials and construction methods. Cabinetry may need to be adapted with features such as cutouts, false panels, shelf and drawer modifications.

MINIMUM BENCH DEPTH

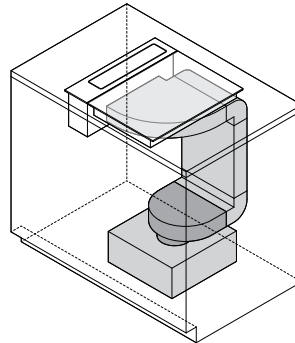
ON FLOOR BLOWER,
STRAIGHT ADAPTER



ISO VIEW

ON FLOOR BLOWER

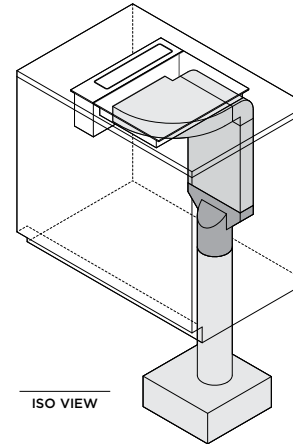
90 DEGREE ADAPTER



ISO VIEW

SUB FLOOR BLOWER

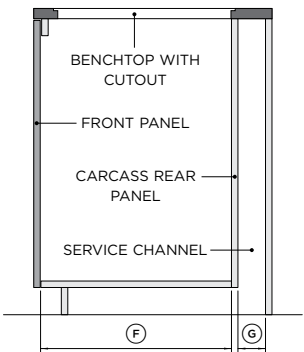
STRAIGHT ADAPTER



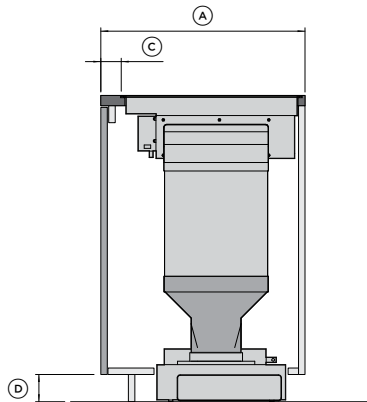
ISO VIEW

CRITICAL NOTE

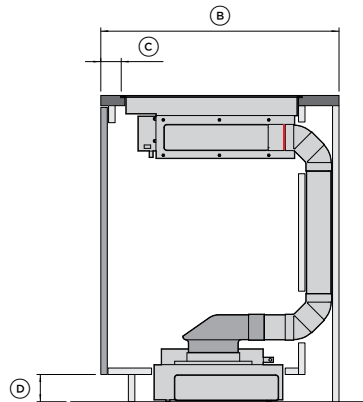
It is essential to work with CAD downloads of modular ventilation components to design a ducting layout best suited to specific cabinetry requirements.



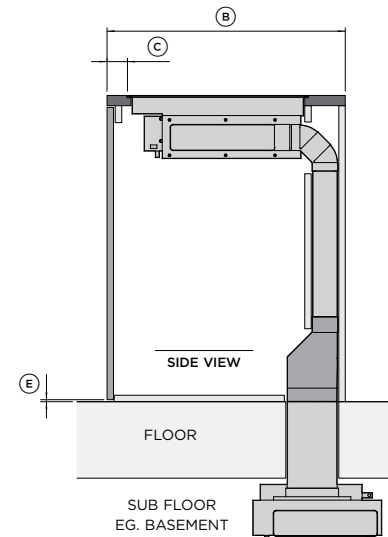
SIDE VIEW



SIDE VIEW



SIDE VIEW



SIDE VIEW

CABINETY DIMENSIONS	mm
A Bench depth with ducting routed within cabinet*	min 600
B Bench depth with ducting routed through service channel*	min 700
C Nominal distance from front of bench to front of cooktop	60
D Kick height when ducting routed through kick cavity**	min 80
E Kick height when blower positioned in sub floor.	min 0
F Internal depth of cabinet	560
G Depth of service cavity	min 80

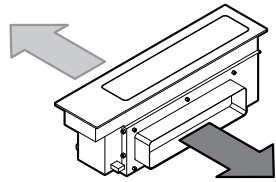
* Cabinetry constructed from 19mm panels.
** 100mm minimum kick height when using Recirculation Kit - KRCD834

The models shown in this Planning Guide may not be available in all markets and are subject to change at any time. Product specifications may vary from those shown. This Planning Guide should not be used as installation guidance for any product. Further information is required to safely and correctly install the products featured here. Specific installation guidance will be available with the product on delivery and on our website fisherpaykel.com

MODULAR VENTILATION

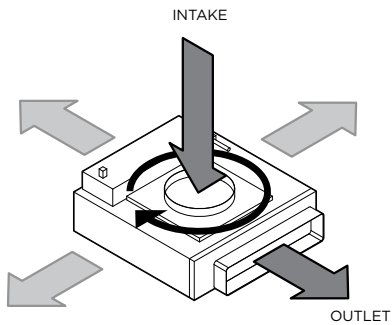
KEY COMPONENTS

DOWNDRAFT MAINBOX



The mainbox can vent to the left or right.

BLOWERBOX



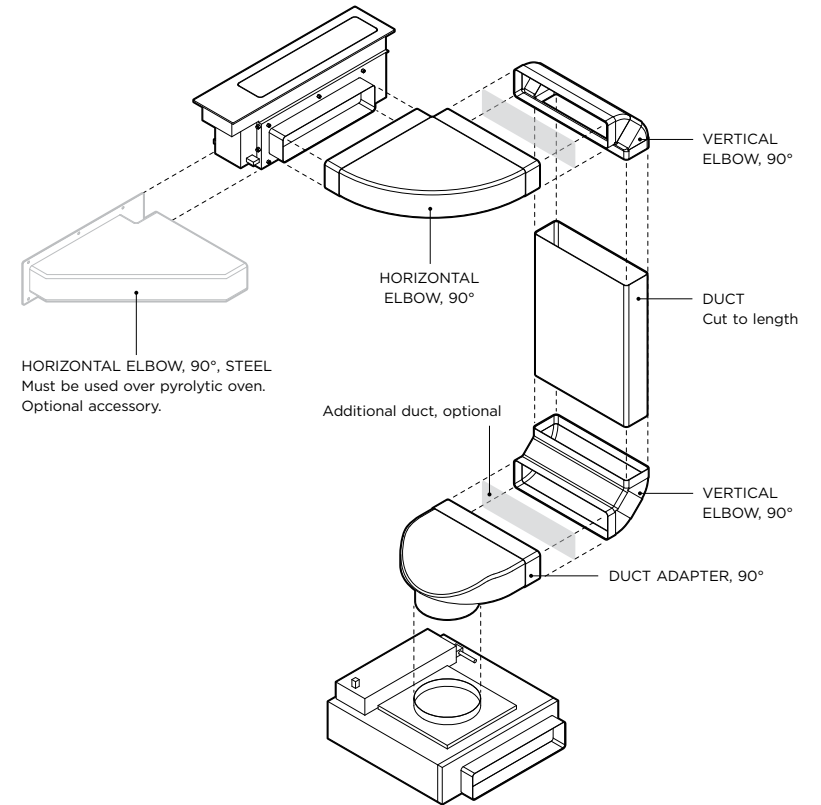
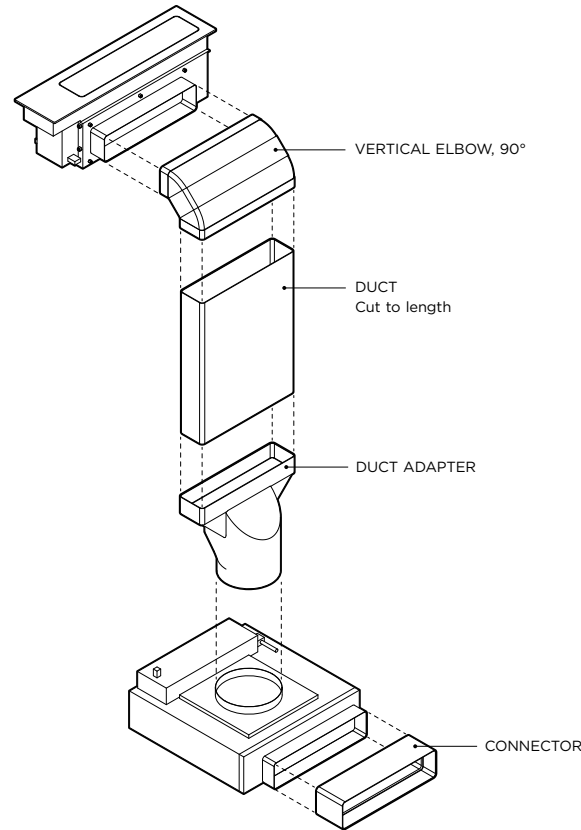
The blowerbox can be rotated 360°

IMPORTANT

Blowerbox inlet and outlet are offset, component is not symmetrical. CARE TO BE TAKEN WHEN PLANNING

MODULAR VENTILATION SYSTEM

OVERVIEW WITH DUCTING COMPONENTS



Ducting Component	Supplied	Optional Accessory Part #
Horizontal Elbow, 90°, 300x70*	x1	E90H30X7
Vertical Elbow, 90°, 300x70*	x2	E90V30X7
Duct, 1m, 300x70mm*	x1	D100X30X7
Duct Adaptor, 90°, 150mm Diameter, 300x70mm*	x1	DA90D30X7D15
Duct Adaptor, 150mm Diameter, 300x70mm*	x1	DA30X7D15
Connector, 300x70*	x1	C30X7
Horizontal Elbow, 90°, 300x70mm, Steel		E90H30X7S

* Component also available as an optional accessory

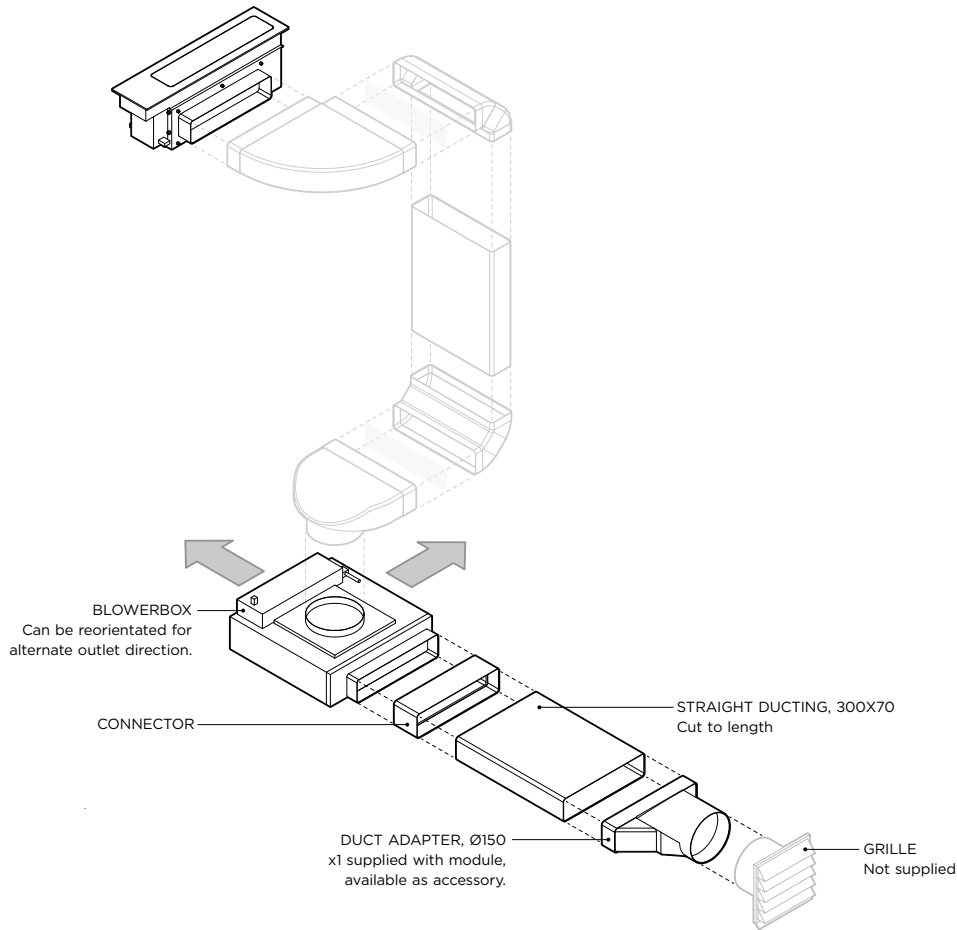
CRITICAL NOTE

Indicative layouts, other configurations are possible. It is essential to work with CAD downloads of modular ventilation components to design a ducting layout best suited to specific cabinetry requirements.

The models shown in this Planning Guide may not be available in all markets and are subject to change at any time. Product specifications may vary from those shown. This Planning Guide should not be used as installation guidance for any product. Further information is required to safely and correctly install the products featured here. Specific installation guidance will be available with the product on delivery and on our website fisherpaykel.com

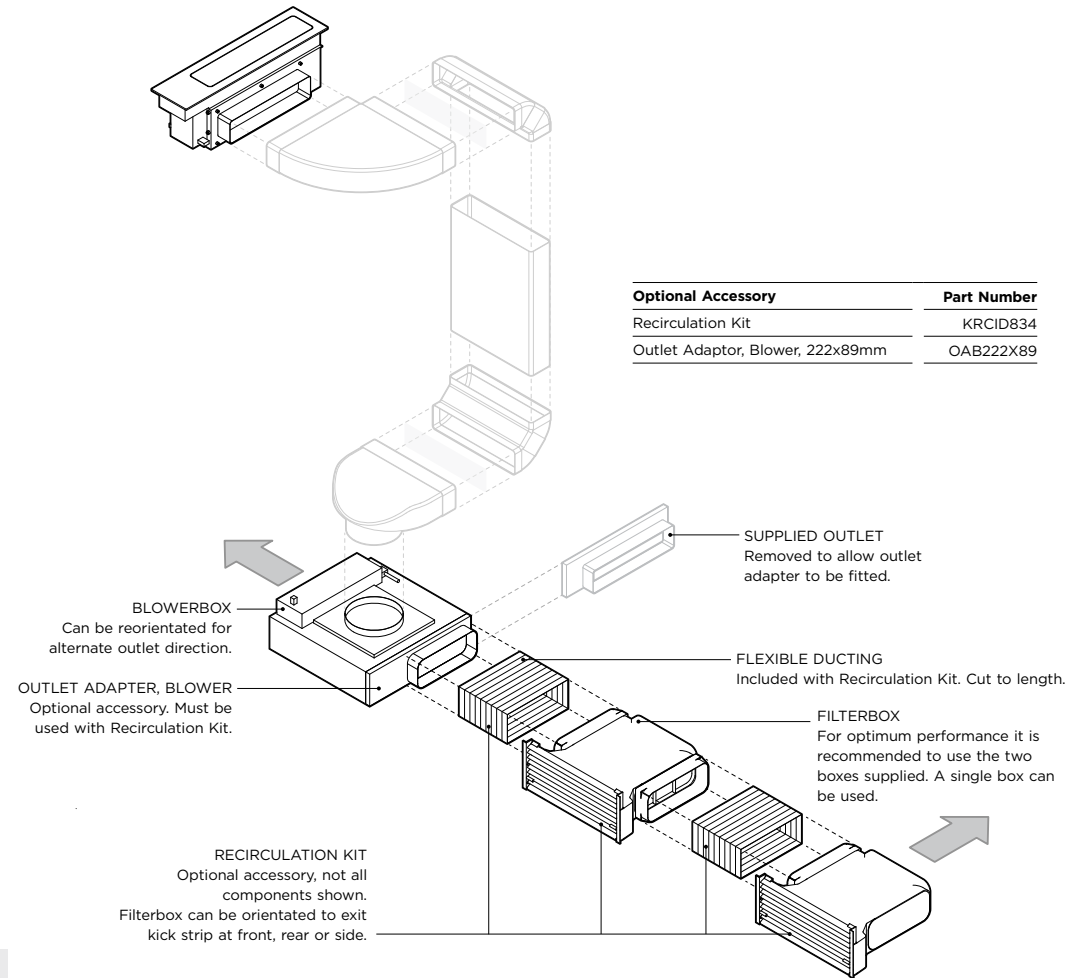
DUCT OUT

OVERVIEW WITH DUCTING COMPONENTS



RECIRCULATED

OVERVIEW WITH RECIRCULATION KIT



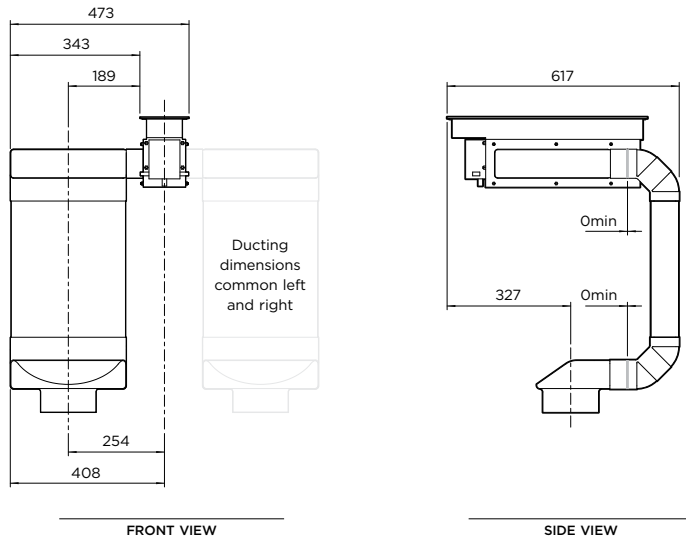
Optional Accessory	Part Number
Recirculation Kit	KRCID834
Outlet Adaptor, Blower, 222x89mm	OAB222X89

CRITICAL NOTE

Indicative layouts, other configurations are possible. It is essential to work with CAD downloads of modular ventilation components to design a ducting layout best suited to specific cabinetry requirements.

The models shown in this Planning Guide may not be available in all markets and are subject to change at any time. Product specifications may vary from those shown. This Planning Guide should not be used as installation guidance for any product. Further information is required to safely and correctly install the products featured here. Specific installation guidance will be available with the product on delivery and on our website fisherpaykel.com

MAINBOX WITH DUCTING



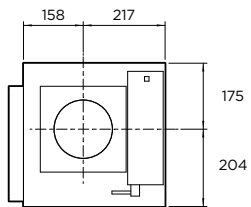
Ducting dimensions common left and right

CONSIDERATIONS

The ducting configuration shown is a generic layout for ducting routed to rear of cabinet. Dimensions stated are to provide a starting point for product placement and space requirements. Other configurations are possible. Additional ducting can be added to the system.

BLOWER BOX

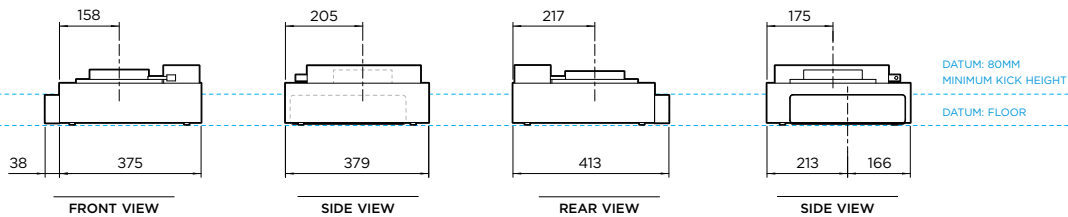
INTAKE AND OUTLET POSITIONS



Top view

IMPORTANT NOTE

Extra attention is required during planning of blower placement in relation to cabinetry due to asymmetry of intake and outlet.



FRONT VIEW

SIDE VIEW

REAR VIEW

SIDE VIEW

DATUM: 80MM MINIMUM KICK HEIGHT
DATUM: FLOOR

WIDTH DIMENSIONS

DEPTH DIMENSIONS

DUCT LEFT

DUCT RIGHT

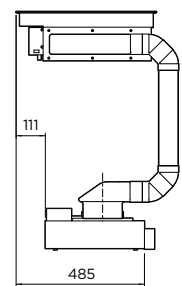
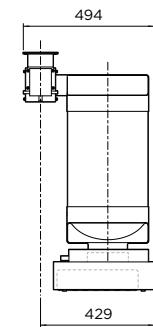
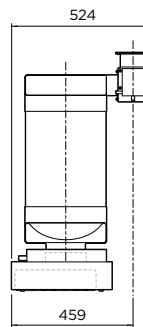
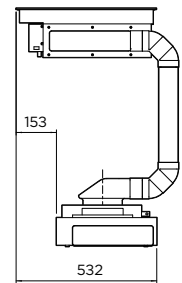
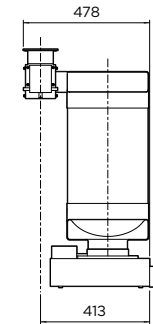
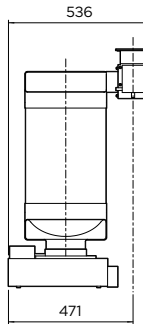
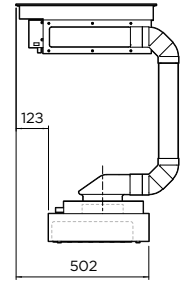
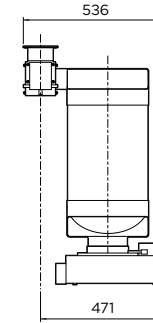
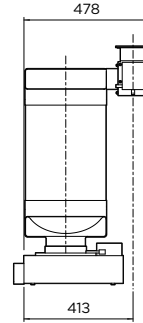
DUCT REAR

BLOWER BOX VENT DIRECTION

VENT LEFT

VENT RIGHT

VENT REAR



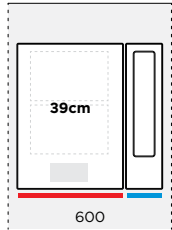
FRONT VIEW

FRONT VIEW

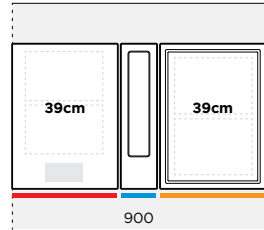
SIDE VIEW

The models shown in this Planning Guide may not be available in all markets and are subject to change at any time. Product specifications may vary from those shown. This Planning Guide should not be used as installation guidance for any product. Further information is required to safely and correctly install the products featured here. Specific installation guidance will be available with the product on delivery and on our website fisherpaykel.com

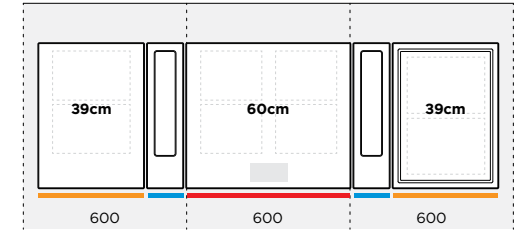
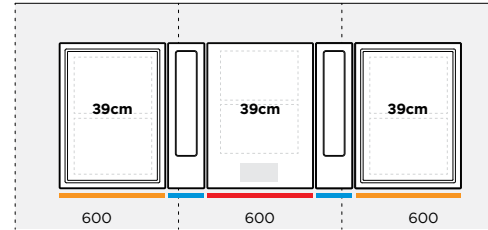
SINGLE - COMPACT < 600



TWO IN A ROW - MID < 900



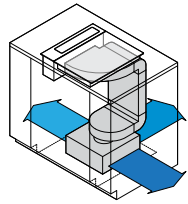
THREE IN A ROW - WIDE > 1200



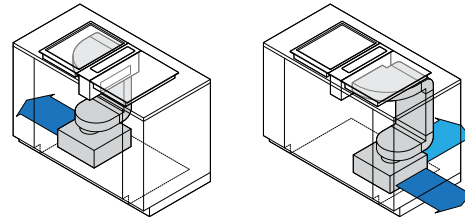
- PRIMARY COOKTOP
- AUXILIARY COOKTOP
- AUXILIARY VENTILATION

BLOWERBOX PLACEMENT

ON FLOOR BLOWER BOX

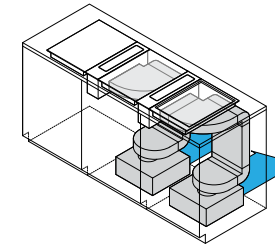
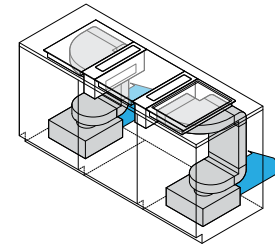


Ducting can also exit to left.



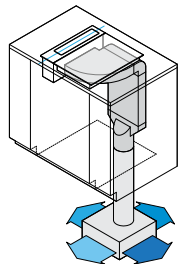
Configurations can not be mirrored. Layout determined due to assymetry of blower box.

LAYOUTS APPLY TO BOTH A 39CM AND 60CM CENTRAL COOKTOP MODULE

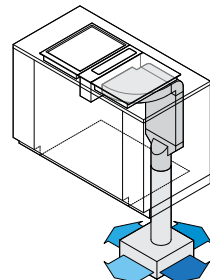


Layout can be mirrored.

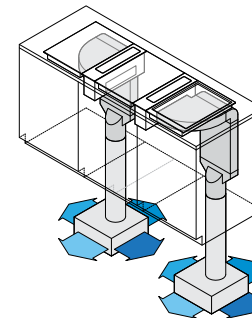
SUB-FLOOR BLOWER BOX



Ducting can also exit to left.



Ducting can also exit to left.



SPACE REQUIREMENTS

These are representational illustrations of typical configurations with modular ventilation and ducting installed in standardised cabinetry widths to provide an overview of cabinetry requirements. Other configurations are possible.

IMPORTANT

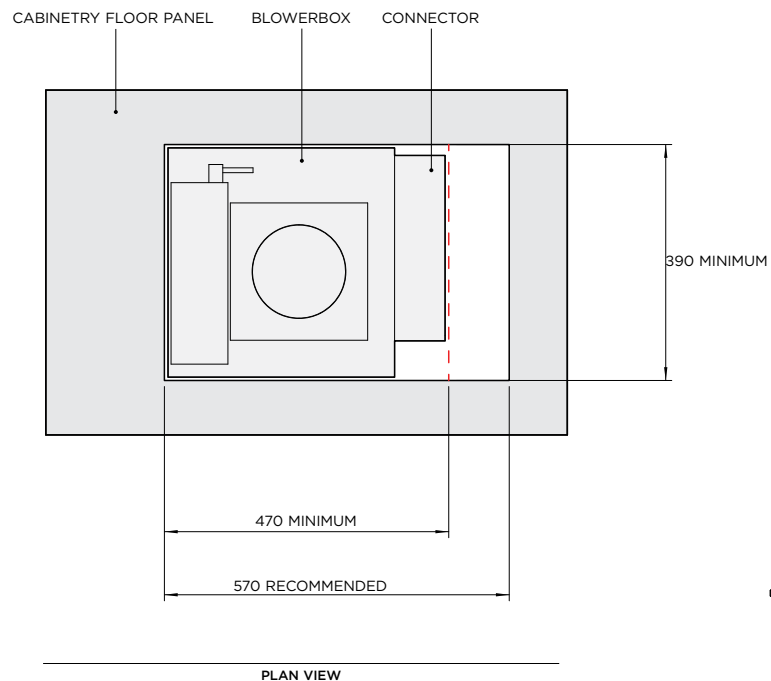
A full assessment should be undertaken of chosen modular components within cabinetry dimensions specific to location, materials and construction methods.

The models shown in this Planning Guide may not be available in all markets and are subject to change at any time. Product specifications may vary from those shown. This Planning Guide should not be used as installation guidance for any product. Further information is required to safely and correctly install the products featured here. Specific installation guidance will be available with the product on delivery and on our website fisherpaykel.com

BLOWERBOX CUTOUT

The Blowerbox requires a minimum cutout of 390mm x 470mm in base of cabinetry so it can be positioned on the floor.

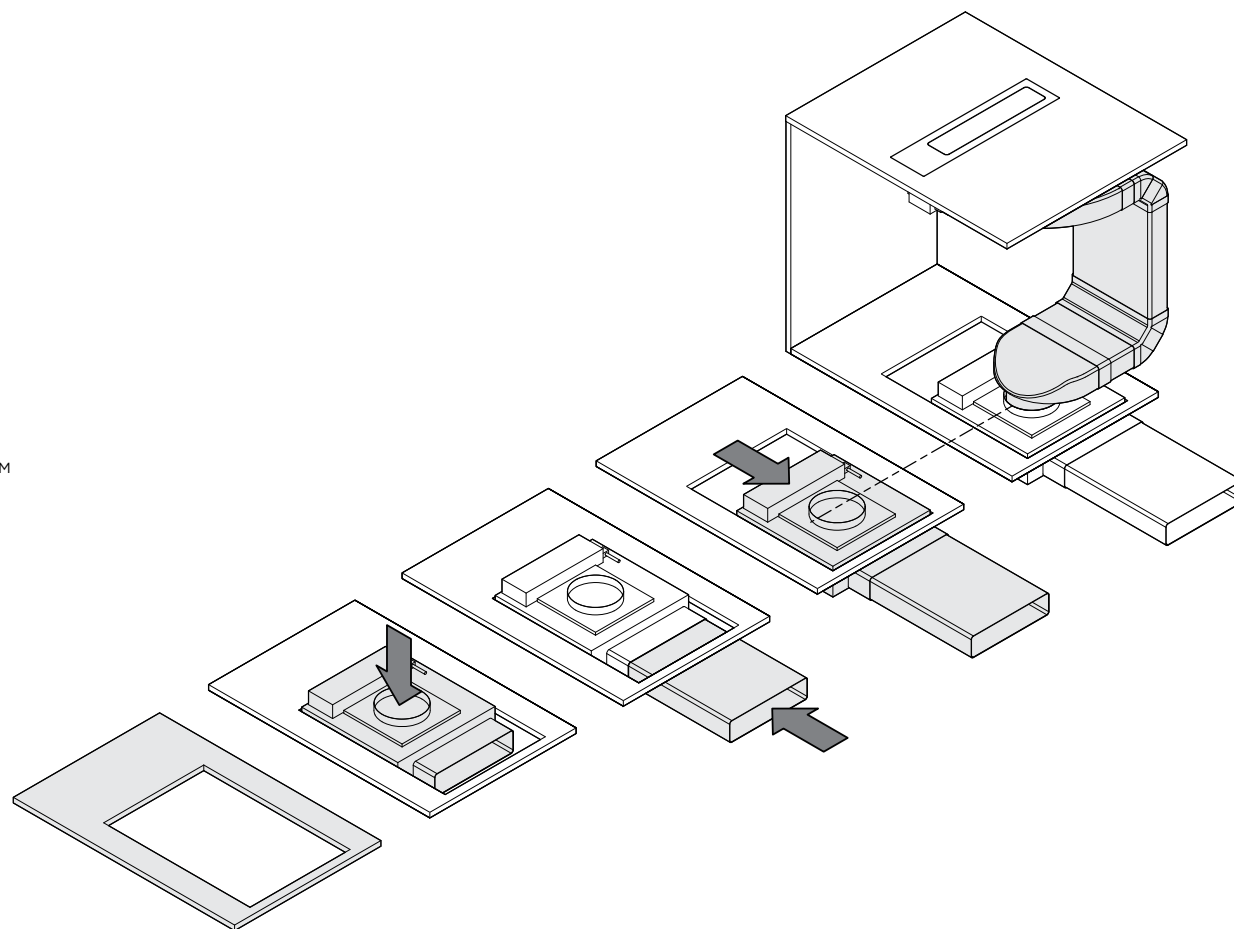
For ease of installation and connection to outlet ducting it is recommended that the cutout is increased to 390mm x 570mm.



IMPORTANT

The position of the cutout may not be central to floor panel.
Pre-planning is required.

BLOWER BOX INSTALLATION OVERVIEW



①

Cut hole in bottom of cabinetry panel

②

Lower blowerbox onto floor.

③

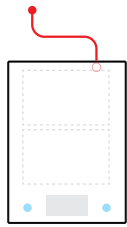
Oversized hole allows access to connect ducting

④

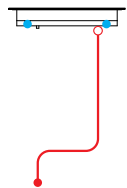
Reposition blowerbox to achieve alignment with ducting.

ISOMETRIC VIEW

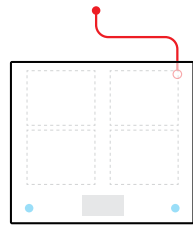
The models shown in this Planning Guide may not be available in all markets and are subject to change at any time. Product specifications may vary from those shown. This Planning Guide should not be used as installation guidance for any product. Further information is required to safely and correctly install the products featured here. Specific installation guidance will be available with the product on delivery and on our website fisherpaykel.com



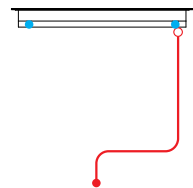
TOP VIEW



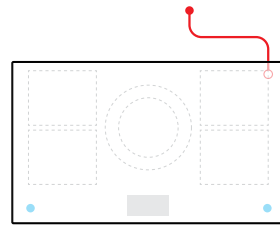
FRONT VIEW



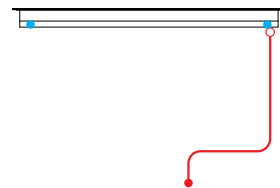
TOP VIEW



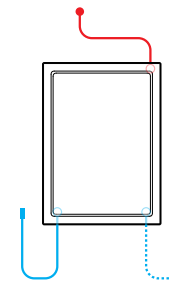
FRONT VIEW



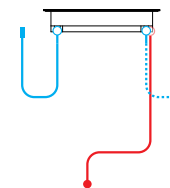
TOP VIEW



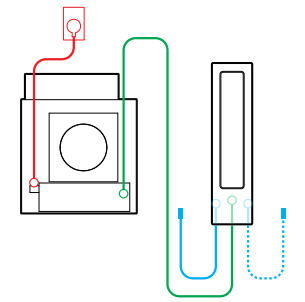
FRONT VIEW



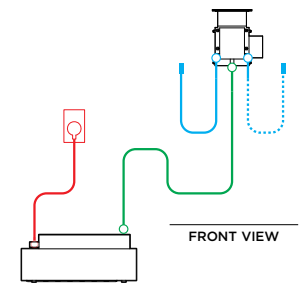
TOP VIEW



FRONT VIEW



TOP VIEW



FRONT VIEW

- POWER CABLE
- CENTRAL COMMUNICATION HARNESS
- EXTERNAL COMMUNICATION HARNESS
- EXTERNAL COMMUNICATION PORT

PRIMARY MODULAR INDUCTION COOKTOP, 39CM, 2 ZONES WITH SMARTZONE

Model no:
CI392DTTB1 Black
CI392DTTG1 Grey

Dimensions	mm
Power Cable	1700

PRIMARY MODULAR INDUCTION COOKTOP, 60CM, 4 ZONES WITH SMARTZONE

Model no:
CI604DTTB1 Black
CI604DTTG1 Grey

Dimensions	mm
Power Cable	not supplied

PRIMARY MODULAR INDUCTION COOKTOP, 90CM, 5 ZONES WITH SMARTZONE

Model no:
CI905DTTB1 Black
CI905DTTG1 Grey

Dimensions	mm
Power Cable	not supplied

AUXILIARY MODULAR TEPPANYAKI COOKTOP, 39CM, 2 ZONES

Model no:
CIT392DX1

Dimensions	mm
External Communication Harness*	500
Power Cable*	1700

* x1 supplied with each auxiliary unit

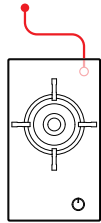
AUXILIARY MODULAR VENTILATION, 13CM

Model no:
CD13DB1 Black
CD13DG1 Grey

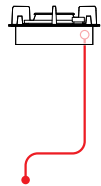
Dimensions	mm
External Communication Harness*	500
Central Communication Harness*	1700
Power Cable	3000

* x1 supplied with each auxiliary unit

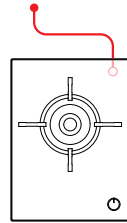
The models shown in this Planning Guide may not be available in all markets and are subject to change at any time. Product specifications may vary from those shown. This Planning Guide should not be used as installation guidance for any product. Further information is required to safely and correctly install the products featured here. Specific installation guidance will be available with the product on delivery and on our website fisherpaykel.com



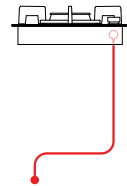
TOP VIEW



FRONT VIEW



TOP VIEW



FRONT VIEW

GAS ON GLASS MODULAR COOKTOP, 30CM

Model no:
JZT-CG301DNGGB5 Black
JZT-CG301DNGGG5 Grey

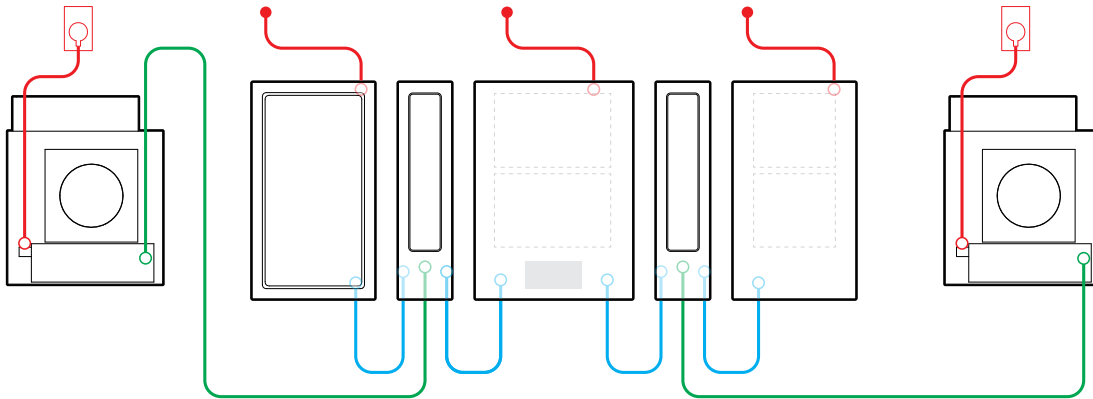
Dimensions	mm
Power Cable	1380

GAS ON GLASS MODULAR COOKTOP, 39CM

Model no:
JZT-CG391DNGGB5 Black
JZT-CG391DNGGG5 Grey

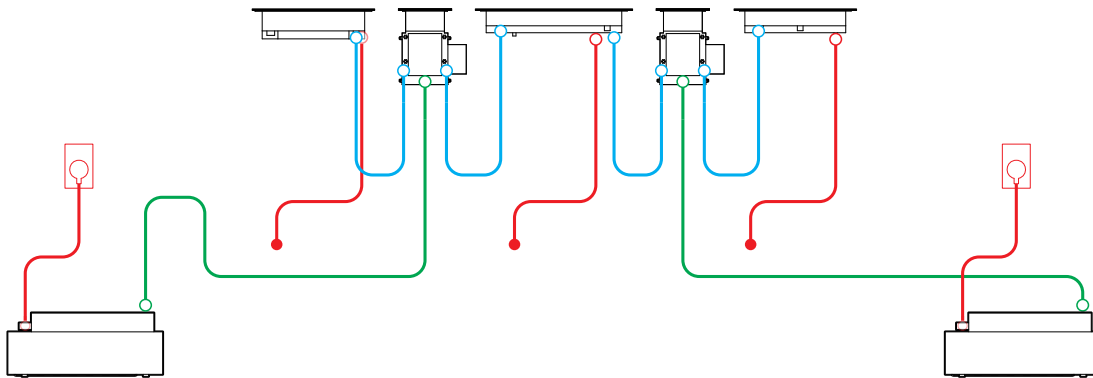
Dimensions	mm
Power Cable	1380

The models shown in this Planning Guide may not be available in all markets and are subject to change at any time. Product specifications may vary from those shown. This Planning Guide should not be used as installation guidance for any product. Further information is required to safely and correctly install the products featured here. Specific installation guidance will be available with the product on delivery and on our website fisherpaykel.com

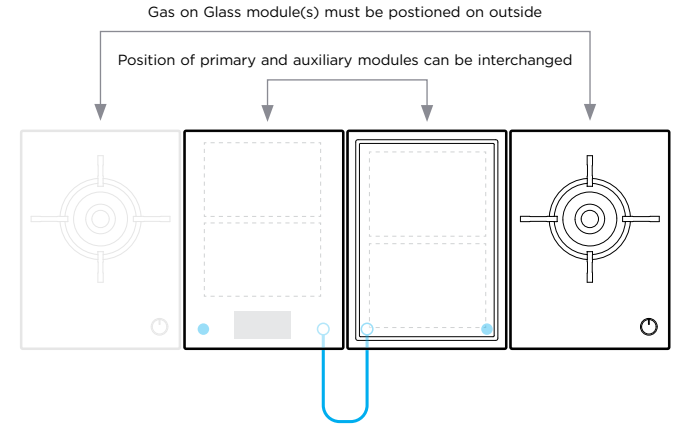


TOP VIEW

- EXTERNAL COMMUNICATION HARNESS
- CENTRAL COMMUNICATION HARNESS
- POWER CABLE



FRONT VIEW



TOP VIEW

SUPPLIED HARNESS

External communication harnesses connect auxiliary modules to the primary module.

These connections must be to the product directly adjacent in a 'daisy chain' configuration (refer diagram). Gas on glass modules do not require a communication harness and must not be placed between primary and auxiliary modules.

1x External communication harness is supplied with each auxiliary module (induction, teppanyaki and downdraft ventilation).

1x Central communication harness is supplied with auxiliary modular ventilation to connect downdraft mainbox with blowerbox.

ELECTRICAL SERVICE FOR MULTIPLE PRODUCT INSTALLS

Where multiple products are being installed together, it is possible to use a smaller local distribution board, rather than running multiple separate lines. For example, 2 x 15A modules can be connected via a single 30A breaker.

This cooktop must be connected to the mains power supply only by a suitably qualified person.

The models shown in this Planning Guide may not be available in all markets and are subject to change at any time. Product specifications may vary from those shown. This Planning Guide should not be used as installation guidance for any product. Further information is required to safely and correctly install the products featured here. Specific installation guidance will be available with the product on delivery and on our website fisherpaykel.com

