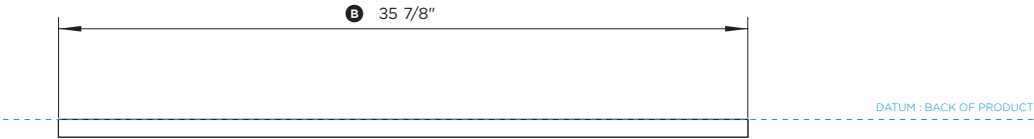
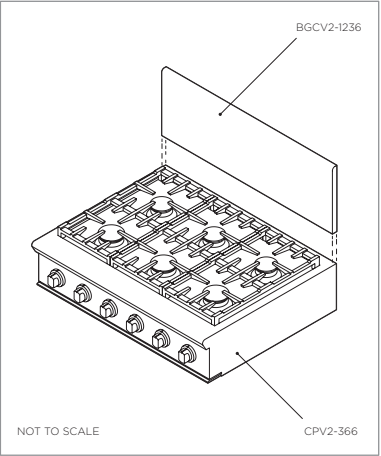
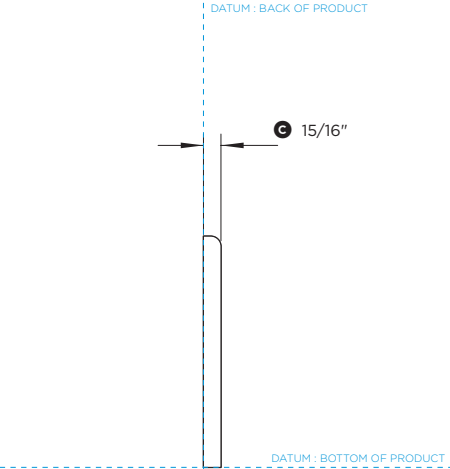


# FISHER & PAYKEL

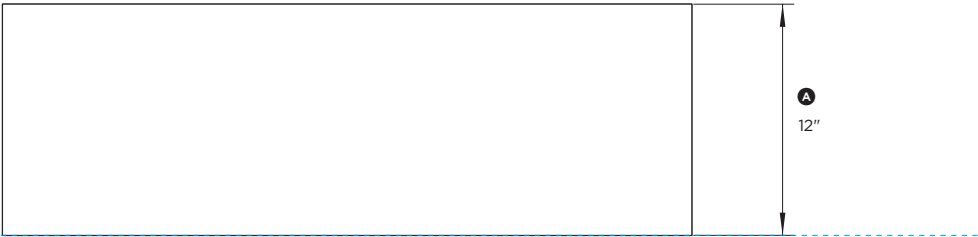
## DATA SHEET 36" Professional Cooktop Backguard



PLAN VIEW



PROFILE VIEW

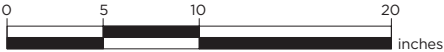


FRONT VIEW

Product Dimensions	in
Ⓐ Overall height of backguard	12"
Ⓑ Overall width of backguard	35 7/8"
Ⓒ Overall depth of backguard	15/16"

Model no:  
**BGCV2-1236**  
(refer page 2 for metric measurements)

INDICATES PRODUCT DATUM -----

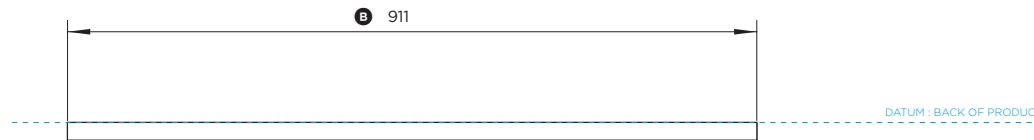
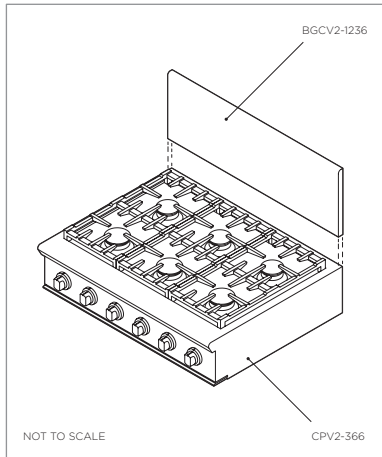


DATE: **24.04.2018**

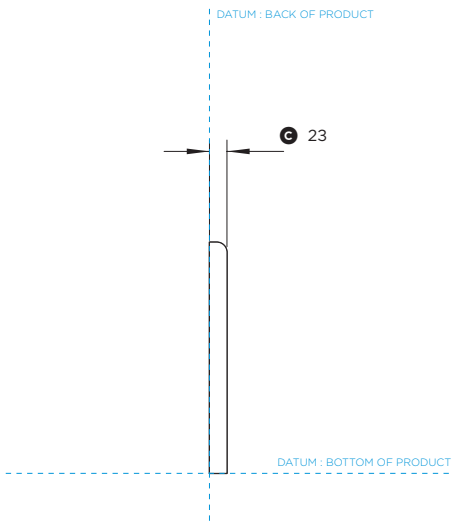
IMPORTANT: Throughout this guide, dimensions may vary by ±2mm (1/16"). Read the installation guide for detailed information on installing the product. For full installation instructions and specifications visit [fisherpaykel.com](http://fisherpaykel.com)

# FISHER & PAYKEL

## DATA SHEET 36" Professional Cooktop Backguard



PLAN VIEW



PROFILE VIEW



FRONT VIEW

Model no:  
**BGCV2-1236**  
(refer page 1 for imperial measurements)

Product Dimensions	mm
Ⓐ Overall height of backguard	305
Ⓑ Overall width of backguard	911
Ⓒ Overall depth of backguard	23

INDICATES PRODUCT DATUM -----



DATE: **24.04.2018**

IMPORTANT: Throughout this guide, dimensions may vary by  $\pm 2\text{mm}$  (1/16"). Read the installation guide for detailed information on installing the product. For full installation instructions and specifications visit [fisherpaykel.com](http://fisherpaykel.com)