

PLANNING GUIDE

**PLANNING GUIDE
24" COLUMN REFRIGERATOR
& FREEZER
SINGLE PRODUCT INSTALL**

—
10/10/2018

FISHER & PAYKEL

CONTENTS

24" Integrated Column Refrigerator and Freezer with Stainless Steel Door panels

Model Nos:

Right Hinge Fridge RS2484SR1 / RS2484SRK1
 Right Hinge Freezer RS2484FLJ1 / RS2484FLJK1
 Stainless Steel Door Panel RD2484R4D
 Handle AHD3-RD84
 Stainless Steel Toekick Panel AKRS24041

Left Hinge Fridge RS2484SL1 / RS2484SLK1
 Left Hinge Freezer RS2484FLJ1 / RS2484FLJK1
 Stainless Steel Door panel RD2484L4D
 Handle AHD3-RD84
 Stainless Steel Toekick Panel AKRS24041

	in	mm
Product & Cavity Dimensions	4	17
Door Opening & Clearance Dimensions	5	18
Hinge Range of Movement	10	23
Cavity Preparation	12	25
Max Distance of Hose & Cord	15	28

24" Professional Integrated Column Refrigerator and Freezer with Stainless Steel Door panels

Model Nos:

Right Hinge Fridge RS2484SR1 / RS2484SRK1
 Right Hinge Freezer RS2484FRJ1 / RS2484FRJK1
 Stainless Steel Door Panel RD2484R4D
 Professional Handle AHC-RD84
 Stainless Steel Toekick Panel AKRS24041

Left Hinge Fridge RS2484SL1 / RS2484SLK1
 Left Hinge Freezer RS2484FLJ1 / RS2484FLJK1
 Stainless Steel Door panel RD2484L4D,
 Professional Handle AHC-RD84
 Stainless Steel Toekick Panel AKRS24041

	in	mm
Product & Cavity Dimensions	6	19
Door Opening & Clearance Dimensions	7	20
Hinge Range of Movement	10	23
Cavity Preparation	12	25
Max Distance of Hose & Cord	15	28

24" Integrated Column Refrigerator and Freezer for Custom Door panels

Model Nos:

Right Hinge Fridge RS2484SR1 / RS2484SRK1
 Right Hinge Freezer RS2484FRJ1 / RS2484FRJK1
 Left Hinge Fridge RS2484SL1 / RS2484SLK1
 Left Hinge Freezer RS2484FLJ1 / RS2484FLJK1

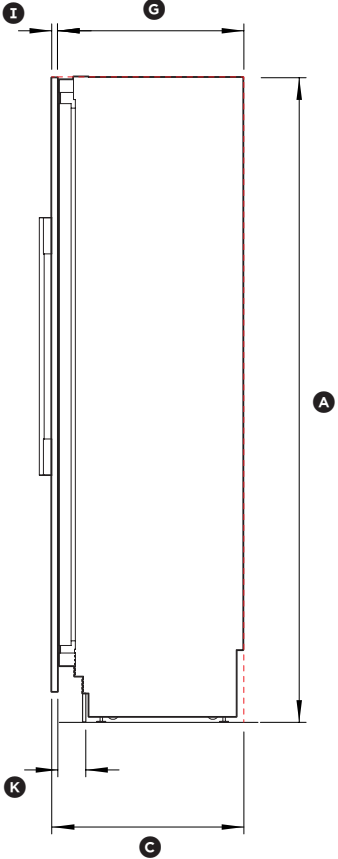
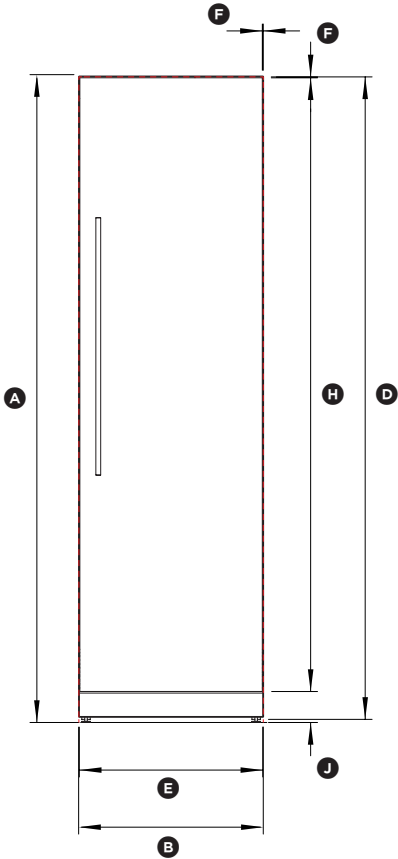
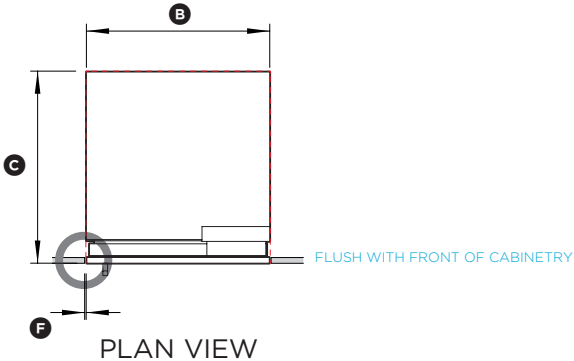
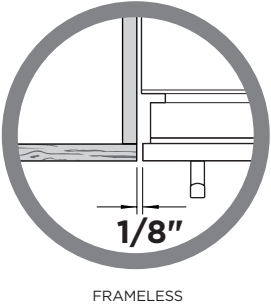
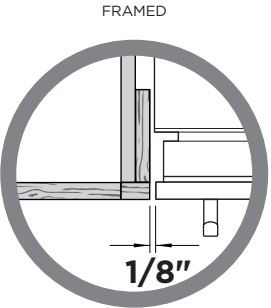
	in	mm
Product & Cavity Dimensions	8	21
Door Opening & Clearance Dimensions	9	22
Hinge Range of Movement	10	23
Custom Panel Dimensions	11	24
Cavity Preparation	12	25
Custom Panel Preparation	14	27
Max Distance of Hose & Cord	15	28

Note: This guide shows specifications for right hinge models. For left hinge models, door related specifications are mirrored.

IMPERIAL

FISHER & PAYKEL

PRODUCT & CAVITY DIMENSIONS 24" Integrated Column Fridge / Freezer



Model nos:
RS2484SR1 / RS2484SRK1 / RS2484FRJ1 / RS2484FRJK1
with Stainless Steel Door panel RD2484R4D, Handle AHD3-RD84 and Stainless Steel Toekick Panel AKRS24041
 NOTE: Left hand hinge model is a mirrored version of image shown.
RS2484SL1 / RS2484SLK1 / RS2484FLJ1 / RS2484FLJK1
with Stainless Steel Door panel RD2484L4D, Handle AHD3-RD84 and Stainless Steel Toekick Panel AKRS24041

Cavity Dimensions	in
Ⓐ Overall height of cavity	84"
Ⓑ Overall width of cavity	24"
Ⓒ Minimum overall depth of cavity	25"

Product Dimensions	in
Ⓐ Overall height of product	84"
Ⓑ Overall width of product	23 3/4"
Ⓕ Minimum cabinetry gap clearance from edge of door panel	1/8"
Ⓒ Overall depth of product (excl. door front panel)	24"
Ⓓ Height of door front panel	79 7/8"
Ⓔ Depth of door front panel (excludes handles)	3/4"
Ⓖ Height of toekick*	4"
Ⓒ Depth of toekick (excl. door front and toekick panels)	2 11/16" - 4"

*Standard toe kick height is 4" with the optional stainless door panel.

INDICATES CAVITY CLEARANCES - - - - -

DATE: 10.10.2018

IMPORTANT NOTE: Throughout this guide, dimensions may vary by ±2mm (1/16"). Please read the installation manual for detailed information on installing the product. For full installation instructions & specifications visit fisherpaykel.com

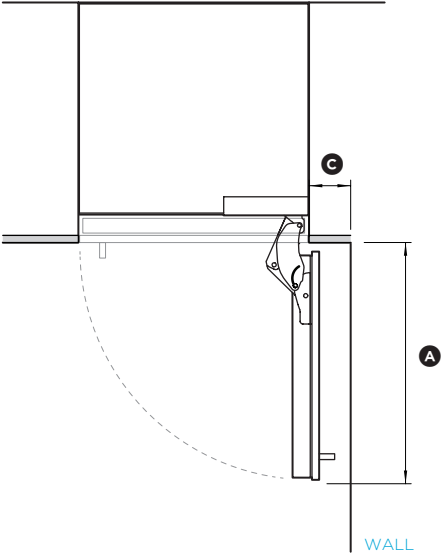
FISHER & PAYKEL

DOOR OPENING CLEARANCE DIMENSIONS 24" Integrated Column Fridge / Freezer

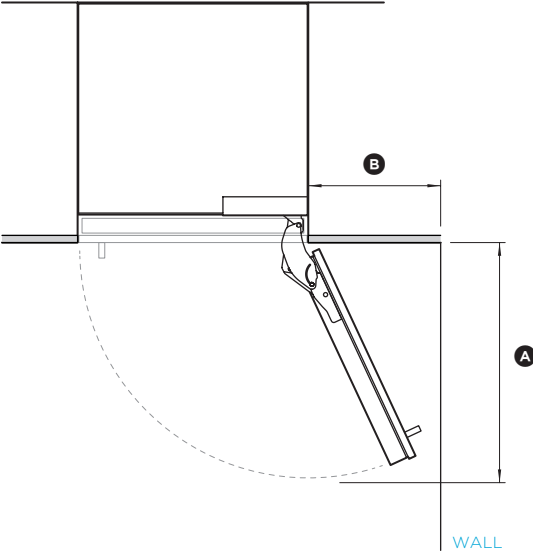
Model nos:
RS2484SR1 / RS2484SRK1 / RS2484FRJ1 / RS2484FRJK1
 with Stainless Steel Door panel RD2484R4D
 and Handle AHD3-RD84
 NOTE: Left hand hinge model is a mirrored version of image shown.
RS2484SL1 / RS2484SLK1 / RS2484FLJ1 / RS2484FLJK1
 with Stainless Steel Door panel RD2484L4D
 and Handle AHD3-RD84

Door Opening & Clearance Dimensions	in
Ⓐ Depth of door (90° open) measured from front of door	26"
Ⓑ Minimum door clearance to adjacent wall* (115° - full internal access)	14"
Ⓒ Minimum door clearance to adjacent wall* (90° - reduced internal access)	4 5/16"

* Measured from front cabinetry edge.



90° DOOR OPENING



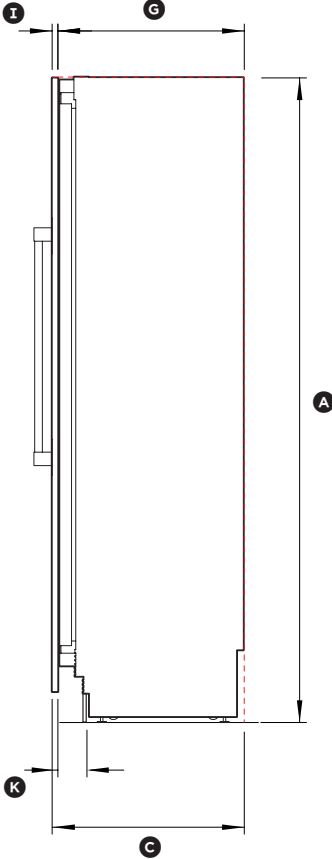
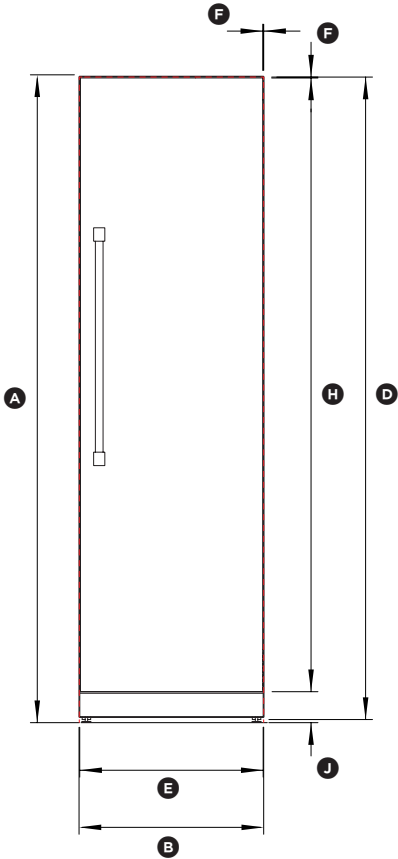
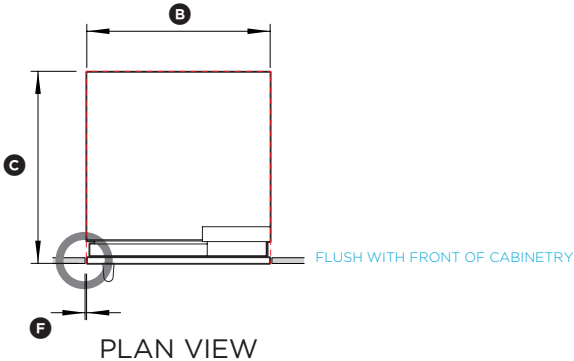
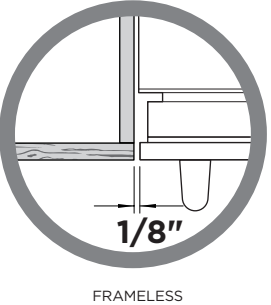
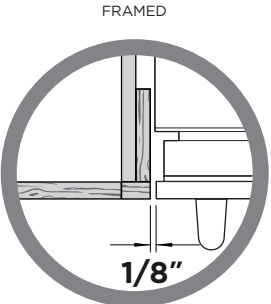
115° DOOR OPENING
[FULL ROTATION]

DATE: 10.10.2018

IMPORTANT NOTE: Throughout this guide, dimensions may vary by ±2mm (1/16"). Please read the installation manual for detailed information on installing the product. For full installation instructions & specifications visit fisherpaykel.com

FISHER & PAYKEL

PRODUCT & CAVITY DIMENSIONS 24" Professional Integrated Column Fridge / Freezer



Model nos:
RS2484SR1 / RS2484SRK1 / RS2484FRJ1 / RS2484FRJK1
with Stainless Steel Door panel RD2484R4D, Handle AHC-RD84
and Stainless Steel Toekick Panel AKRS24041
 NOTE: Left hand hinge model is a mirrored version of image shown.
RS2484SL1 / RS2484SLK1 / RS2484FLJ1 / RS2484FLJK1
with Stainless Steel Door panel RD2484L4D, Handle AHC-RD84
and Stainless Steel Toekick Panel AKRS24041

Cavity Dimensions	in
Ⓐ Overall height of cavity	84"
Ⓑ Overall width of cavity	24"
Ⓒ Minimum overall depth of cavity	25"

Product Dimensions	in
Ⓐ Overall height of product	84"
Ⓑ Overall width of product	23 3/4"
Ⓒ Minimum cabinetry gap clearance from edge of door panel	1/8"
Ⓓ Overall depth of product (excl. door front panel)	24"
Ⓔ Height of door front panel	79 7/8"
Ⓕ Depth of door front panel (excludes handles)	3/4"
Ⓖ Height of toekick*	4"
Ⓖ Depth of toekick (excl. door front and toekick panels)	2 11/16" - 4"

*Standard toe kick height is 4" with the optional stainless door panel.

INDICATES CAVITY CLEARANCES - - - - -

DATE: 10.10.2018

IMPORTANT NOTE: Throughout this guide, dimensions may vary by ±2mm (1/16"). Please read the installation manual for detailed information on installing the product. For full installation instructions & specifications visit fisherpaykel.com

FISHER & PAYKEL

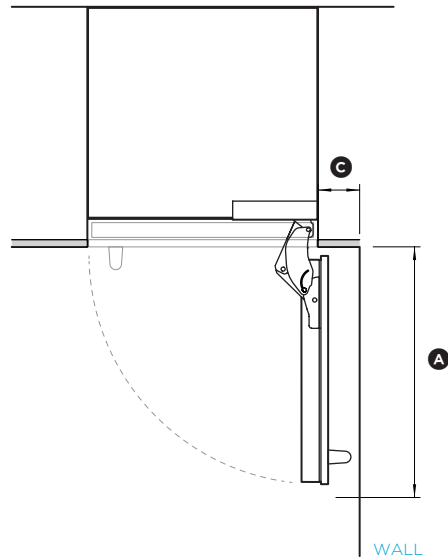
DOOR OPENING CLEARANCE DIMENSIONS 24" Professional Integrated Column Fridge / Freezer

Model nos:

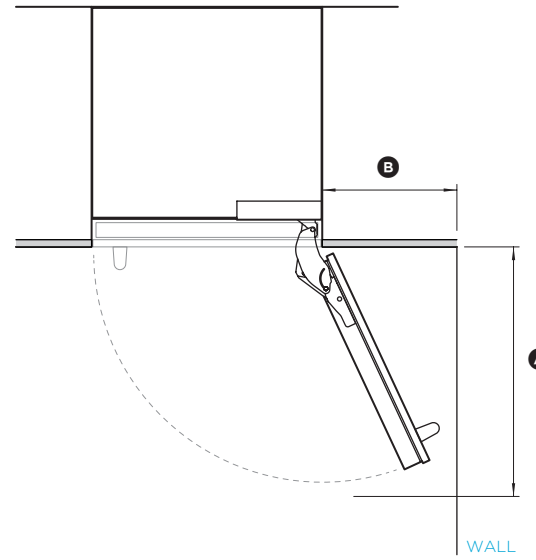
RS2484SR1 / RS2484SRK1 / RS2484FRJ1 / RS2484FRJK1
with Stainless Steel Door panel RD2484R4D
and Handle AHC-RD84

NOTE: Left hand hinge model is a mirrored version of image shown.

RS2484SL1 / RS2484SLK1 / RS2484FLJ1 / RS2484FLJK1
with Stainless Steel Door panel RD2484L4D
and Handle AHC-RD84



90° DOOR OPENING



115° DOOR OPENING
[FULL ROTATION]

Door Opening & Clearance Dimensions	in
Ⓐ Depth of door (90° open) measured from front of door	26"
Ⓑ Minimum door clearance to adjacent wall* (115° - full internal access)	14"
Ⓒ Minimum door clearance to adjacent wall* (90° - reduced internal access)	4 5/16"

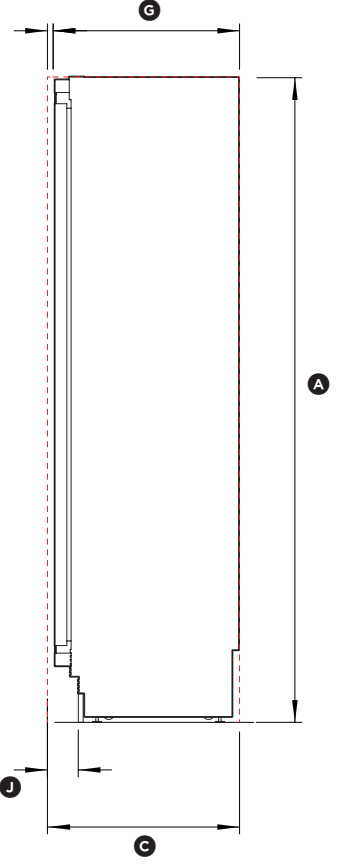
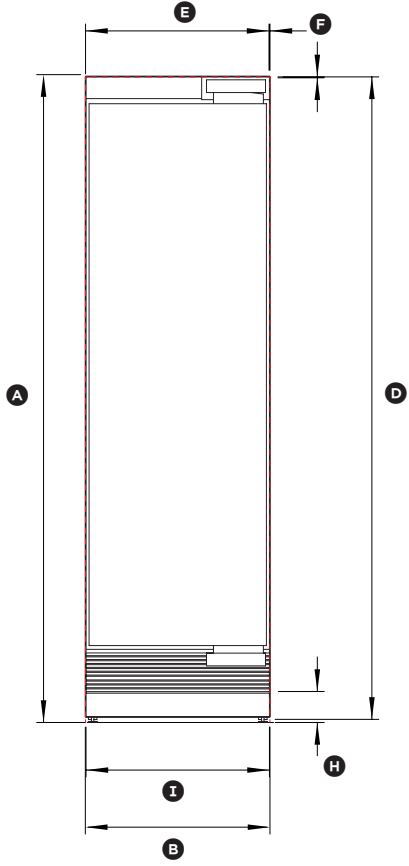
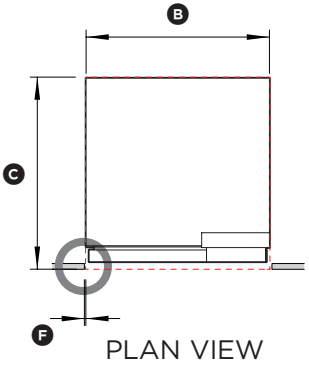
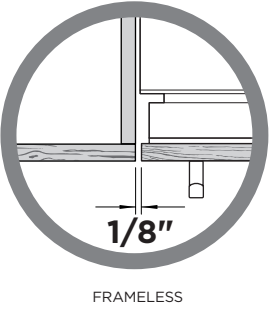
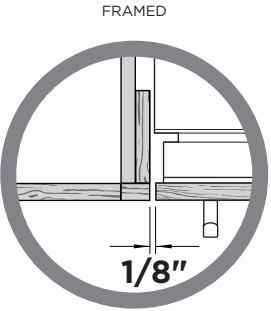
* Measured from front cabinetry edge.

DATE: 10.10.2018

IMPORTANT NOTE: Throughout this guide, dimensions may vary by $\pm 2\text{mm}$ (1/16"). Please read the installation manual for detailed information on installing the product. For full installation instructions & specifications visit fisherpaykel.com

FISHER & PAYKEL

PRODUCT & CAVITY DIMENSIONS 24" Integrated Column Fridge / Freezer



Model nos:
RS2484SR1 / RS2484SRK1 / RS2484FRJ1 / RS2484FRJK1
 NOTE: Left hand hinge model is a mirrored version of image shown.
RS2484SL1 / RS2484SLK1 / RS2484FLJ1 / RS2484FLJK1

Cavity Dimensions	in
Ⓐ Overall height of cavity	84"
Ⓑ Overall width of cavity	24"
Ⓒ Minimum overall depth of cavity*	25"

Total front panel width with required gaps at sides = 84"
 (Refer custom panel dimensions - panel width + 2 x Ⓒ cabinetry gaps).

* Assumes a door panel thickness of 3/4".

Product Dimensions	in
Ⓐ Overall height of product	84"
Ⓑ Overall width of product	23 3/4"
Ⓒ Minimum cabinetry gap clearance from edge of custom panels**	1/8"
Ⓓ Overall depth of product (excl. door front panel)	24"
Ⓔ Height of toe kick**	2" - 6"
Ⓕ Width of toe kick**	23 7/8"
Ⓖ Depth of toe kick** (excl. door front and toe kick panels)	2 11/16" - 4"

** For custom panel dimensions refer to page 11.
 Door panel and custom toe kick panel to be manufactured and fitted by cabinetmaker. Door panel thickness min 5/8" - max 1".

INDICATES CAVITY CLEARANCES - - - - -

DATE: 10.10.2018

IMPORTANT NOTE: Throughout this guide, dimensions may vary by ±2mm (1/16"). Please read the installation manual for detailed information on installing the product. For full installation instructions & specifications visit fisherpaykel.com

FISHER & PAYKEL

DOOR OPENING CLEARANCE DIMENSIONS 24" Integrated Column Fridge / Freezer

Model nos:

RS2484SR1 / RS2484SRK1 / RS2484FRJ1 / RS2484FRJK1

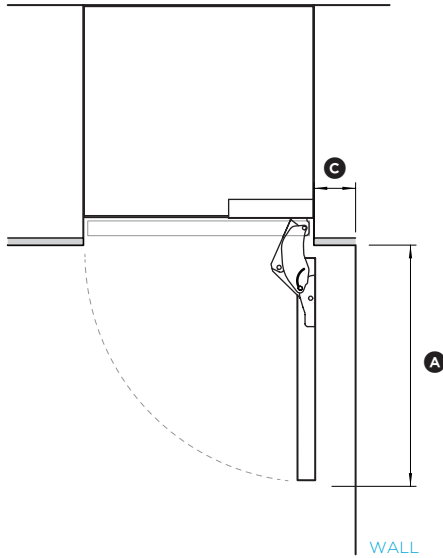
NOTE: Left hand hinge model is a mirrored version of image shown.

RS2484SL1 / RS2484SLK1 / RS2484FLJ1 / RS2484FLJK1

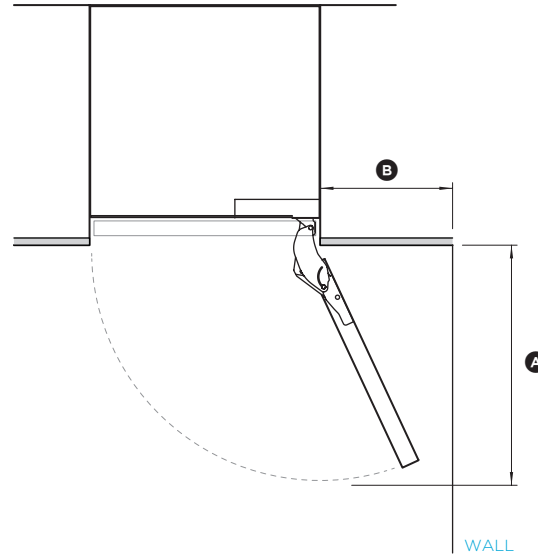
Door Opening & Clearance Dimensions	in
Ⓐ Depth of door (90° open) measured from front of door	26"
Ⓑ Minimum door clearance** to adjacent wall* (115° - full internal access)	14"
Ⓒ Minimum door clearance** to adjacent wall* (90° - reduced internal access)*	4 5/16"

* Does not include the custom door panels or handles to be manufactured and fitted by cabinetmaker.

** Measured from front cabinetry edge.



90° DOOR OPENING



115° DOOR OPENING
[FULL ROTATION]

DATE: **10.10.2018**

IMPORTANT NOTE: Throughout this guide, dimensions may vary by $\pm 2\text{mm}$ (1/16"). Please read the installation manual for detailed information on installing the product. For full installation instructions & specifications visit fisherpaykel.com

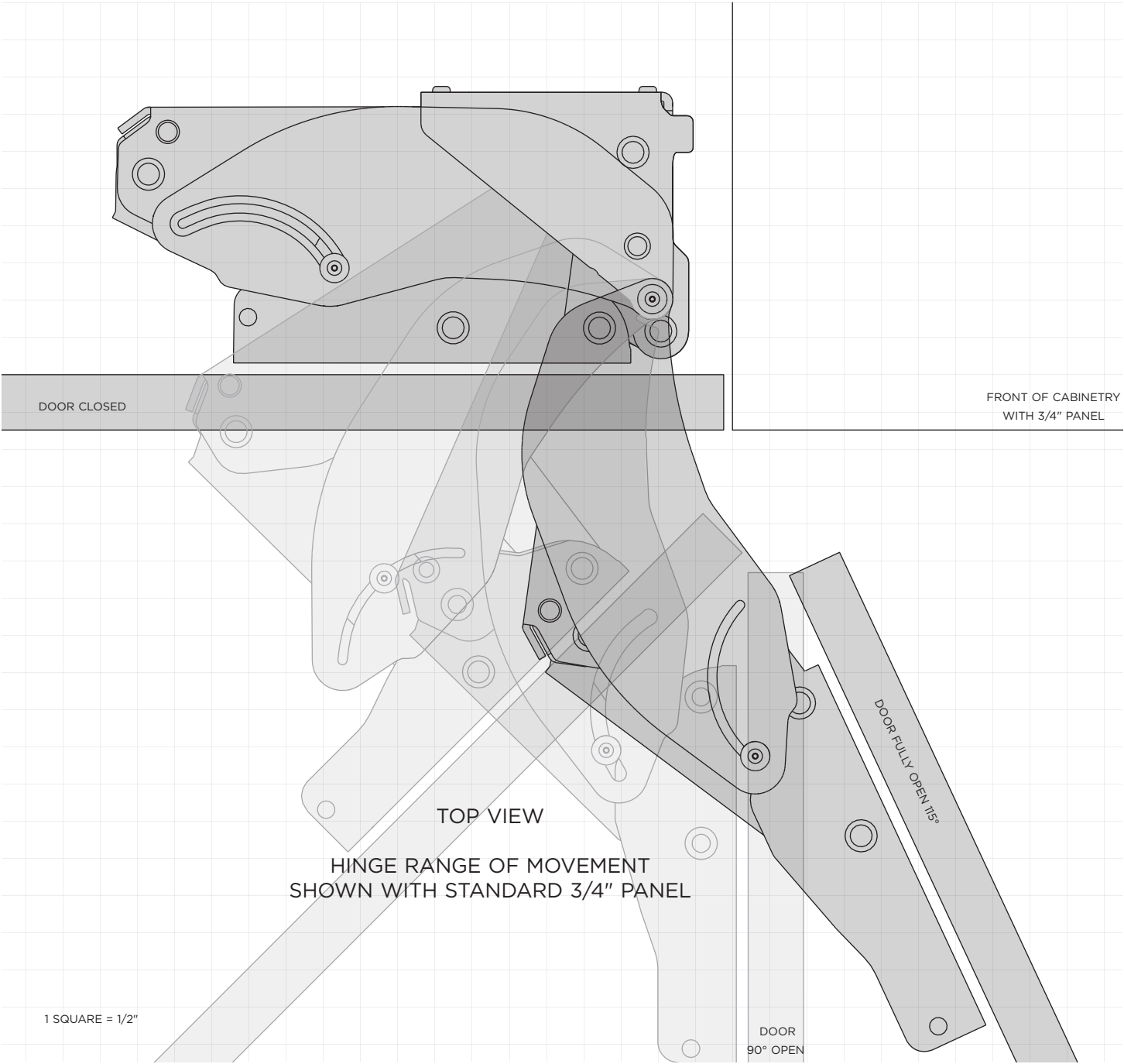
FISHER & PAYKEL

CUSTOM PANEL PREPARATION - HINGE 24" Integrated Column Fridge / Freezer

Model nos:
RS2484SR1 / RS2484SRK1 / RS2484FRJ1 / RS2484FRJK1
NOTE: Left hand hinge model is a mirrored version of image shown.
RS2484SL1 / RS2484SLK1 / RS2484FLJ1 / RS2484FLJK1

Dwg & Dxf Files
Dwg and Dxf files of the panel preparation are available within the download folder for this product and can be found on <http://thekitchentools.fisherpaykel.com>

Door Hinge - Hettich K05

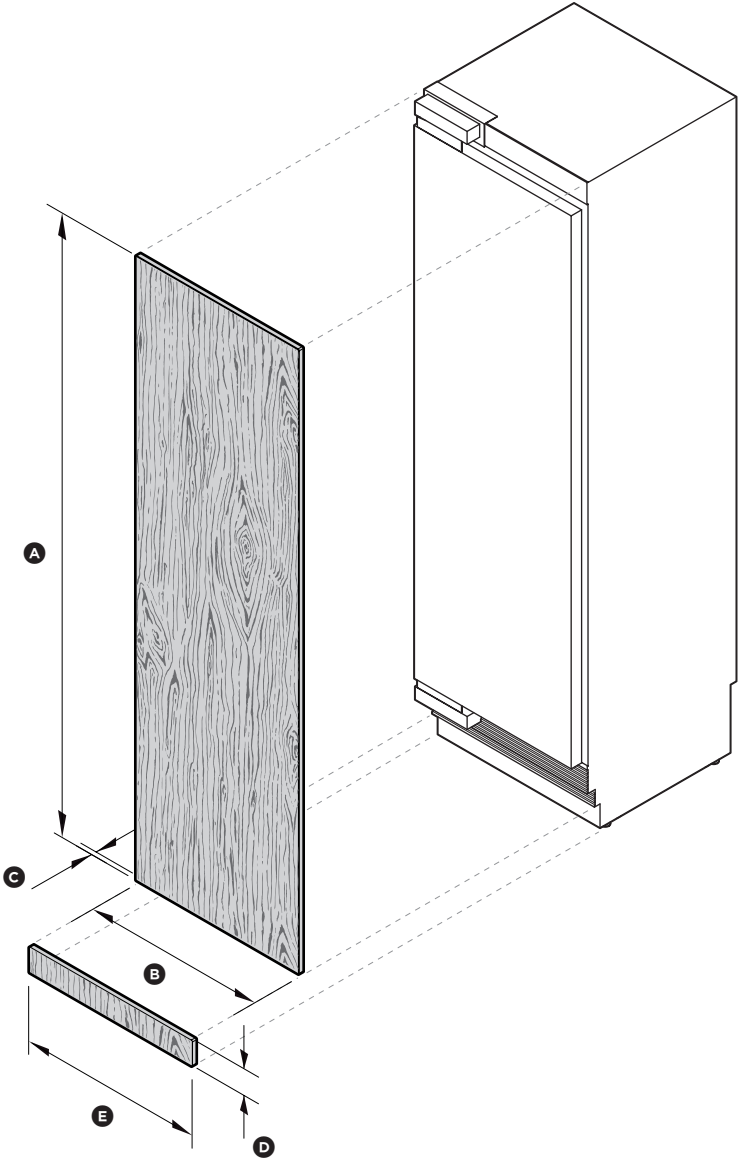


DATE: **10.10.2018**

IMPORTANT NOTE: Throughout this guide, dimensions may vary by $\pm 2\text{mm}$ (1/16"). Please read the installation manual for detailed information on installing the product. For full installation instructions & specifications visit fisherpaykel.com

FISHER & PAYKEL

CUSTOM PANEL DIMENSIONS 24" Integrated Column Fridge / Freezer



ISO VIEW

Model nos:
RS2484SL1 / RS2484SLK1 / RS2484FLJ1 / RS2484FLJK1
 NOTE: Right hand hinge model is a mirrored version of image shown.
RS2484SR1 / RS2484SRK1 / RS2484FRJ1 / RS2484FRJK1

Custom Panel Dimensions*	in
Ⓐ Height of door panel	77 7/8" - 81 7/8"
Ⓑ Width of door panel - single install Width of door panel - dual install	23 3/4" 23 13/16"
Ⓒ Maximum depth of custom panel	min 5/8" max 1"
Ⓓ Height of toe-kick panel**	2" - 6"
Ⓔ Width of toe-kick panel	23 7/8"
Maximum weight of door panel***	55lb

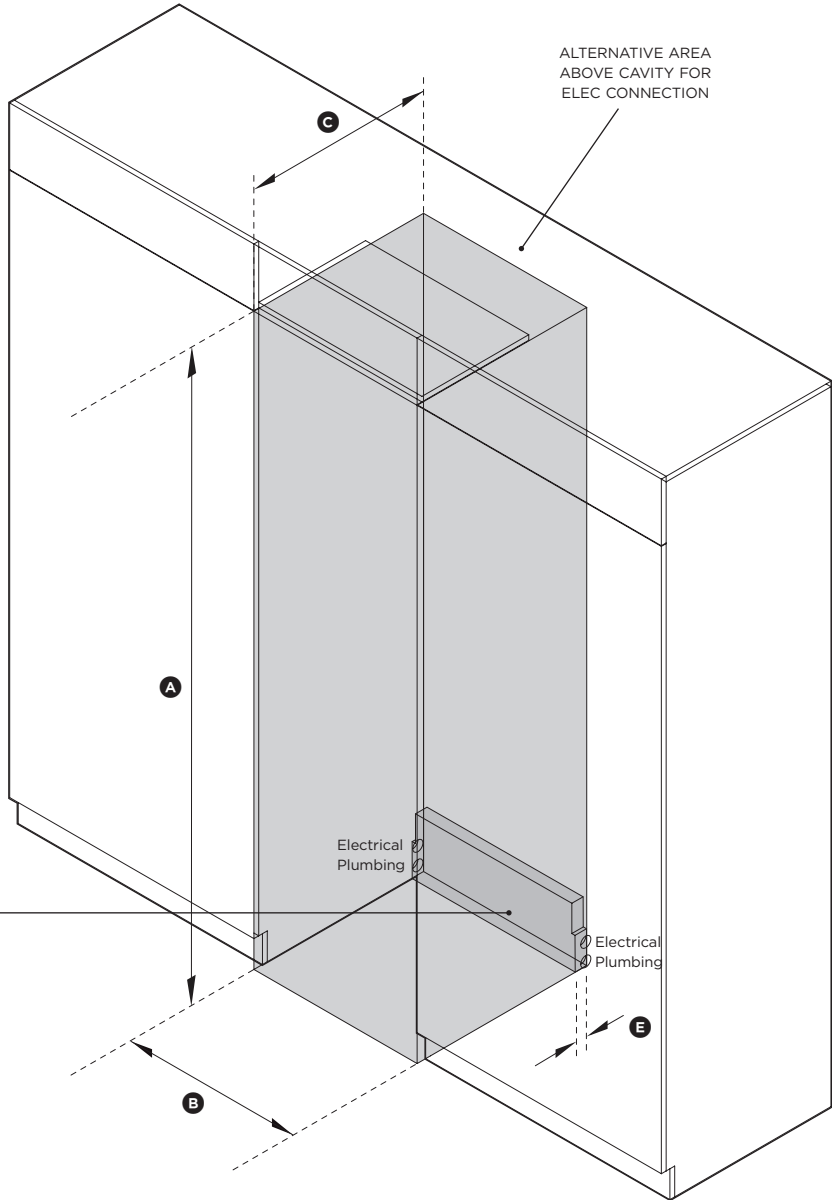
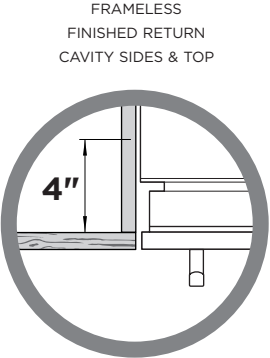
* Custom door panels, toe-kick and handles to be manufactured / fitted by cabinetmaker.
 ** The bottom grille can be reduced to allow for a higher toe-kick. Adjust the height of the door panel accordingly.
 *** Includes weight of handle.

DATE: 10.10.2018

IMPORTANT NOTE: Throughout this guide, dimensions may vary by ±2mm (1/16"). Please read the installation manual for detailed information on installing the product. For full installation instructions & specifications visit fisherpaykel.com

FISHER & PAYKEL

CAVITY PREPARATION - FRAMELESS 24" Integrated Column Fridge / Freezer



ISO VIEW OF CAVITY

Model nos:
RS2484SR1 / RS2484SRK1 / RS2484FRJ1 / RS2484FRJK1
 NOTE: Left hand hinge model is a mirrored version of image shown.
RS2484SL1 / RS2484SLK1 / RS2484FLJ1/ RS2484FLJK1

IMPORTANT!
 For ease of installation, ensure cavity has consistent dimensions top to bottom and left to right.

Minimum Cavity Dimensions	in
Ⓐ Overall height of cavity	84"
Ⓑ Overall width of cavity	24"
Ⓒ Overall depth of cavity	25"
Minimum required finished return	4"

Electrical / Plumbing Supply Dimensions	in
Ⓓ Overall height of supply area	9"
Ⓔ Overall depth of supply area	1"
Ⓕ Width of notch in supply area (both sides)	1/2"
Ⓖ Height of sides of supply area (both sides)	5"

Specifications	
Electrical	
Supply	115 VAC, 60 Hz
Service	10 amp circuit
Plumbing	
Supply	1/4" (6mm) comp. stainless steel braided hose with adaptor
Pressure	min 22 psi (150 kPa) max 120 psi (827 kPa) @ 68°F (20°C)

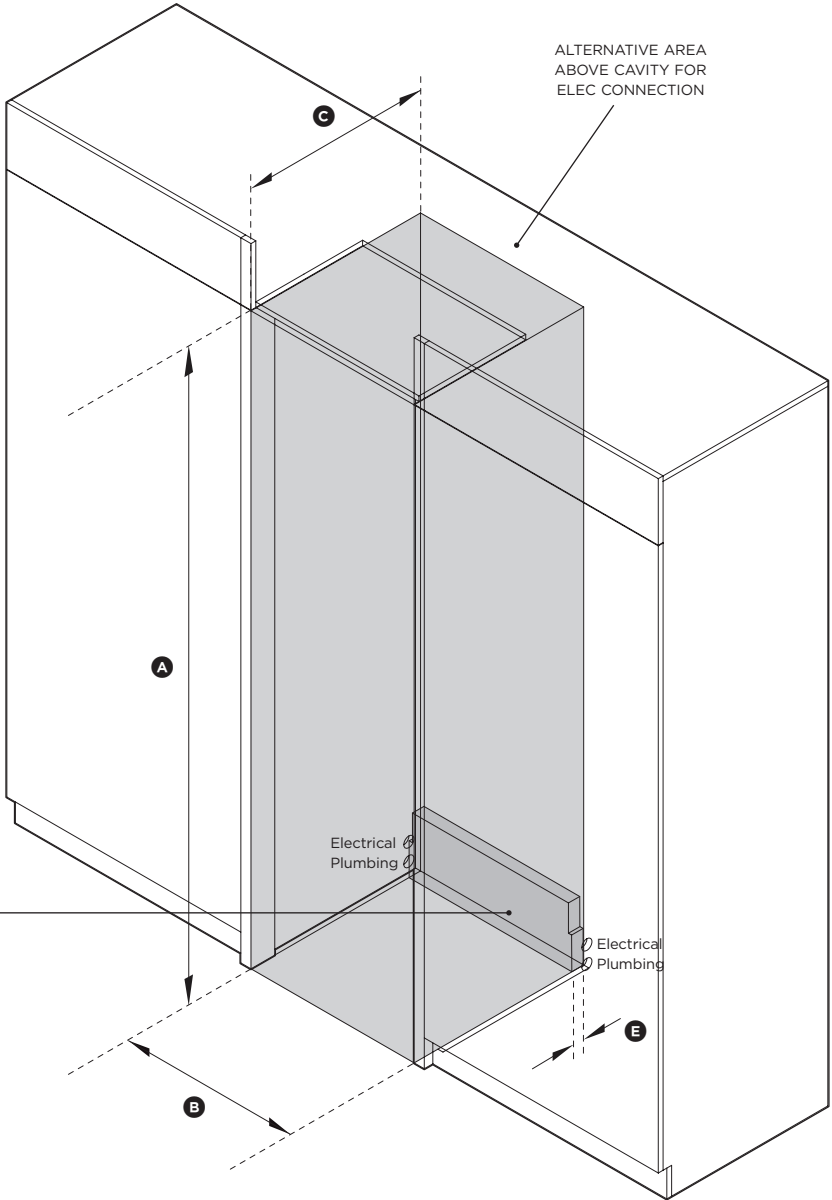
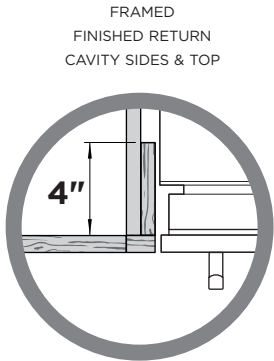
NOTE: Electrical connection can be located an adjacent cabinet to either side of the fridge or above the fridge cavity

DATE: 10.10.2018

IMPORTANT NOTE: Throughout this guide, dimensions may vary by ±2mm (1/16"). Please read the installation manual for detailed information on installing the product. For full installation instructions & specifications visit fisherpaykel.com

FISHER & PAYKEL

CAVITY PREPARATION - FRAMED 24" Integrated Column Fridge / Freezer



ISO VIEW OF CAVITY

Model nos:
RS2484SR1 / RS2484SRK1 / RS2484FRJ1 / RS2484FRJK1
 NOTE: Left hand hinge model is a mirrored version of image shown.
RS2484SL1 / RS2484SLK1 / RS2484FLJ1 / RS2484FLJK1

IMPORTANT!
 For ease of installation, ensure cavity has consistent dimensions top to bottom and left to right.

Minimum Cavity Dimensions	in
Ⓐ Overall height of cavity	84"
Ⓑ Overall width of cavity	24"
Ⓒ Overall depth of cavity	25"
Minimum required finished return	4"

Electrical / Plumbing Supply Dimensions	in
Ⓓ Overall height of supply area	9"
Ⓔ Overall depth of supply area	1"
Ⓕ Width of notch in supply area (both sides)	1/2"
Ⓖ Height of sides of supply area (both sides)	5"

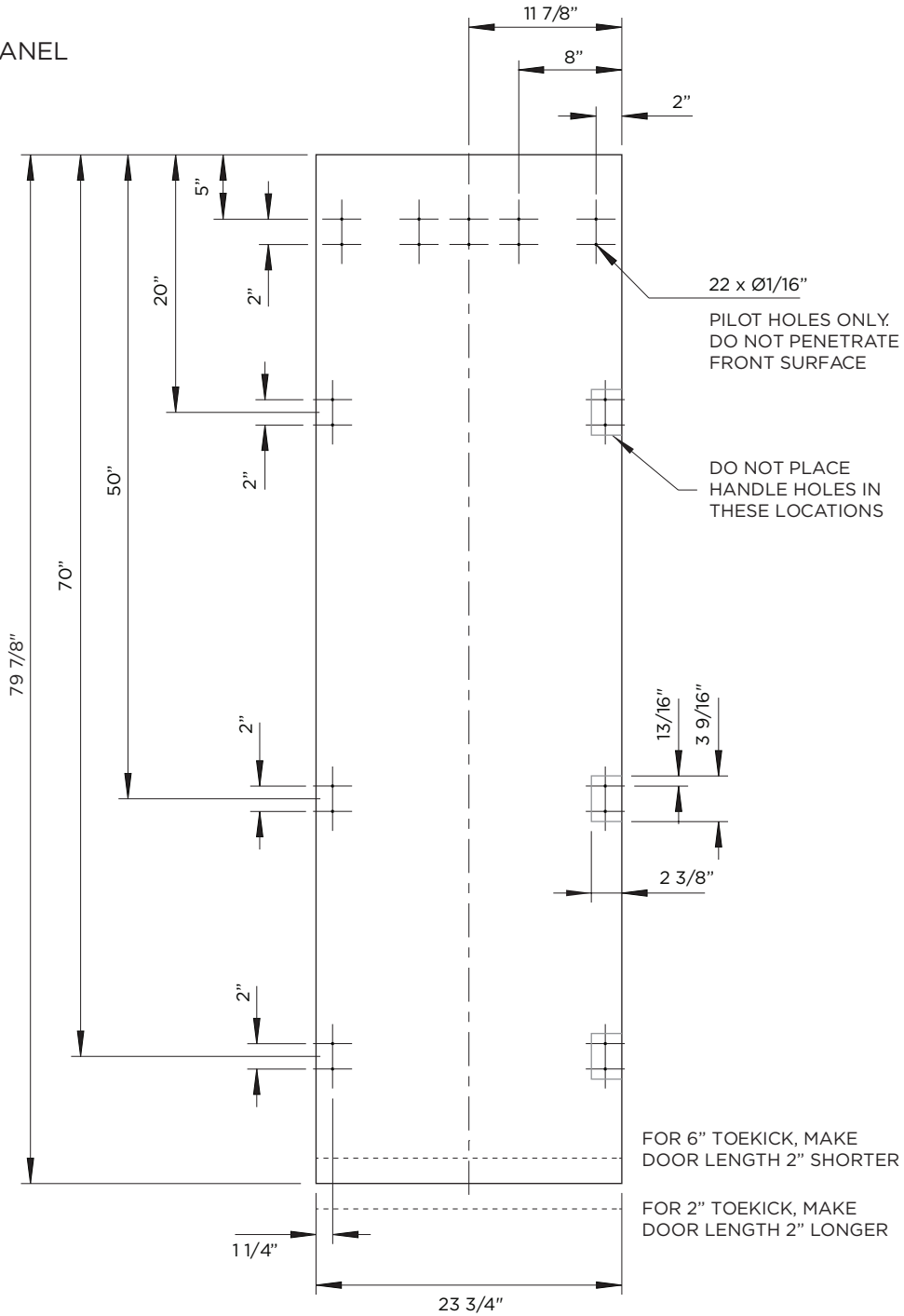
Specifications	
Electrical	
Supply	115 VAC, 60 Hz
Service	10 amp circuit
Plumbing	
Supply	1/4" (6mm) comp. stainless steel braided hose with adaptor
Pressure	min 22 psi (150 kPa) max 120 psi (827 kPa) @ 68°F (20°C)

NOTE: Electrical connection can be located an adjacent cabinet to either side of the fridge or above the fridge cavity.

DATE: 10.10.2018

IMPORTANT NOTE: Throughout this guide, dimensions may vary by ±2mm (1/16"). Please read the installation manual for detailed information on installing the product. For full installation instructions & specifications visit fisherpaykel.com

24"
COLUMN DOOR PANEL
REAR VIEW



FISHER & PAYKEL

CUSTOM PANEL PREPARATION 24" Integrated Column Fridge / Freezer

Model nos:

RS2484SR1 / RS2484SRK1 / RS2484FRJ1 / RS2484FRJK1

NOTE: Left hand hinge model is a mirrored version of image shown.

RS2484SL1 / RS2484SLK1 / RS2484FLJ1 / RS2484FLJK1

Custom Panel Preparation

Dimensions are shown in inches.

Dimensions apply for the preparation and installation of custom panels

Handles

Ensure handle screw heads are countersunk into back of panel to avoid interfering with hanging bracket, and clear of side brackets as indicated.

Dwg & Dxf Files

Dwg and Dxf files of the panel preparation are available within the download folder for this product and can be found on <http://thekitchentools.fisherpaykel.com>

DATE: **10.10.2018**

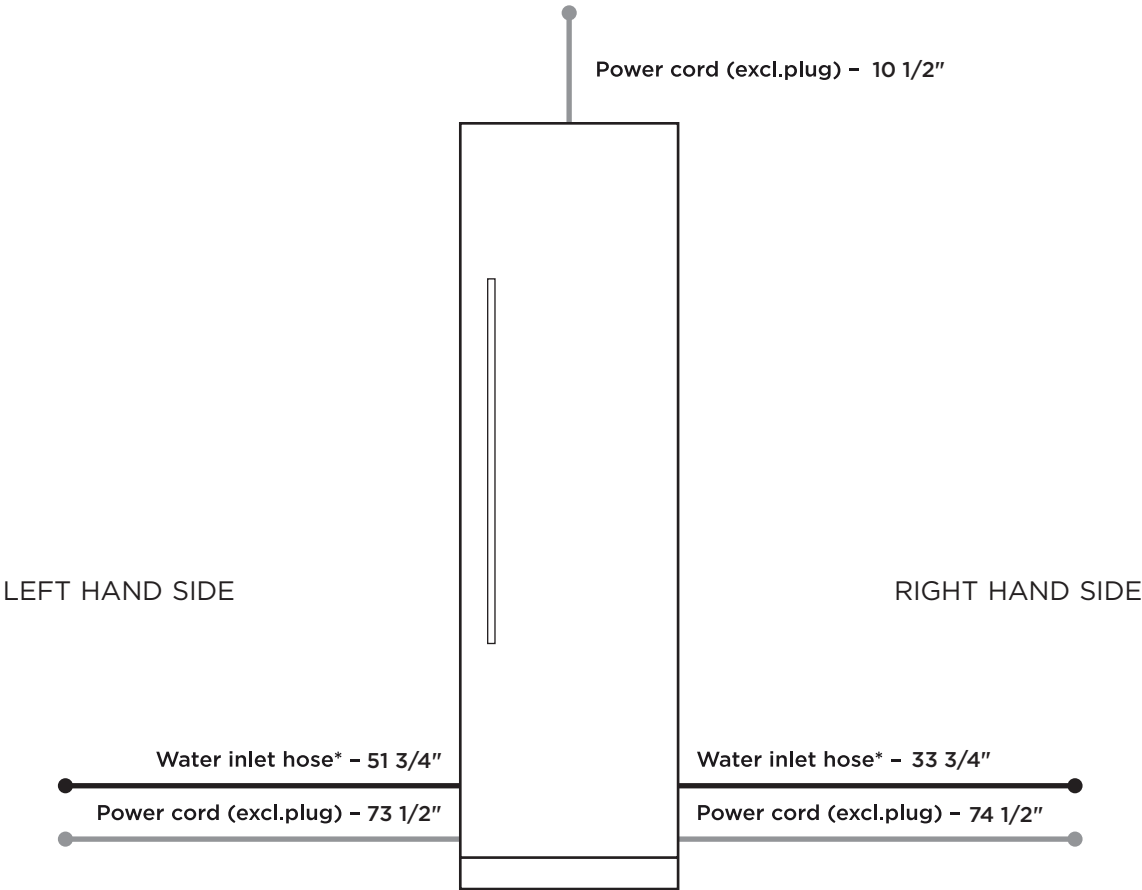
IMPORTANT NOTE: Throughout this guide, dimensions may vary by ±2mm (1/16"). Please read the installation manual for detailed information on installing the product. For full installation instructions & specifications visit fisherpaykel.com

FISHER & PAYKEL

POWER AND WATER CONNECTIONS 24" Integrated Column Fridge / Freezer

Model nos:
RS2484SR1 / RS2484SRK1 / RS2484FRJ1 / RS2484FRJK1
RS2484SL1 / RS2484SLK1 / RS2484FLJ1 / RS2484FLJK1

* Water inlets apply to freezers only



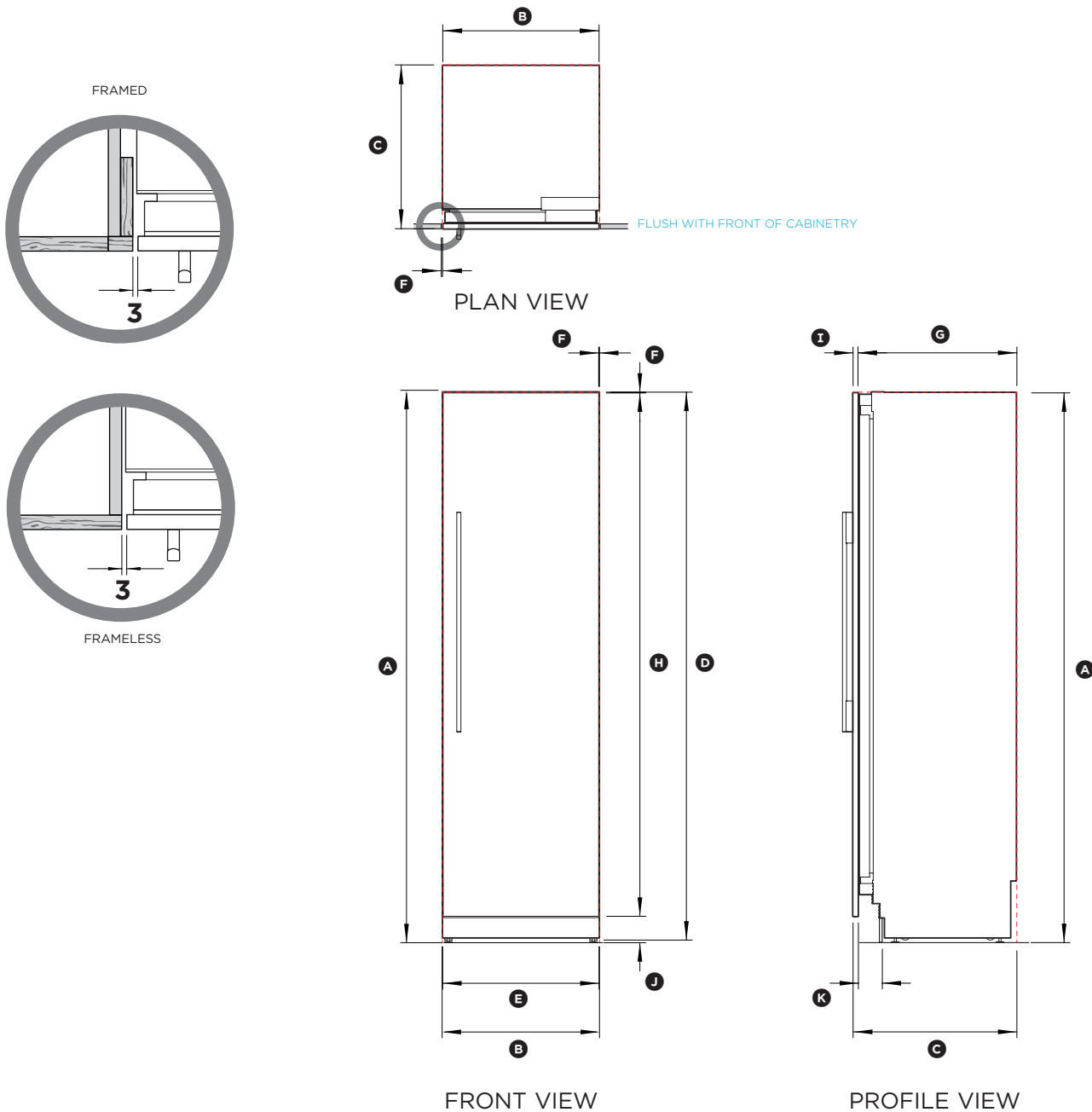
DATE: 10.10.2018

IMPORTANT NOTE: Throughout this guide, dimensions may vary by ±2mm (1/16"). Please read the installation manual for detailed information on installing the product. For full installation instructions & specifications visit fisherpaykel.com

METRIC

FISHER & PAYKEL

PRODUCT & CAVITY DIMENSIONS 24" Integrated Column Fridge / Freezer



Model nos:

RS2484SR1 / RS2484SRK1 / RS2484FRJ1/ RS2484FRJK1
with Stainless Steel Door panel RD2484R4D, Handle AHD3-RD84 and Stainless Steel Toekick Panel AKRS24041

NOTE: Left hand hinge model is a mirrored version of image shown.

RS2484SL1 / RS2484SLK1 / RS2484FLJ1 / RS2484FLJK1
with Stainless Steel Door panel RD2484L4D, Handle AHD3-RD84 and Stainless Steel Toekick Panel AKRS24041

Cavity Dimensions	mm
Ⓐ Overall height of cavity	2134
Ⓑ Overall width of cavity	610
Ⓒ Minimum overall depth of cavity	635

Product Dimensions	mm
Ⓐ Overall height of product	2134
Ⓑ Overall width of product	603
Ⓕ Minimum cabinetry gap clearance from edge of door panel	3
Ⓓ Overall depth of product (excl. door front panel)	610
Ⓖ Height of door front panel	2029
Ⓔ Depth of door front panel (excludes handles)	19
Ⓗ Height of toekick*	102
Ⓒ Depth of toekick (excl. door front and toekick panels)	68 - 101

*Standard toe kick height is 102mm with the optional stainless door panel.

INDICATES CAVITY CLEARANCES - - - - -

DATE: 10.10.2018

IMPORTANT NOTE: Throughout this guide, dimensions may vary by ±2mm (1/16"). Please read the installation manual for detailed information on installing the product. For full installation instructions & specifications visit fisherpaykel.com

FISHER & PAYKEL

DOOR OPENING CLEARANCE DIMENSIONS 24" Integrated Column Fridge / Freezer

Model nos:

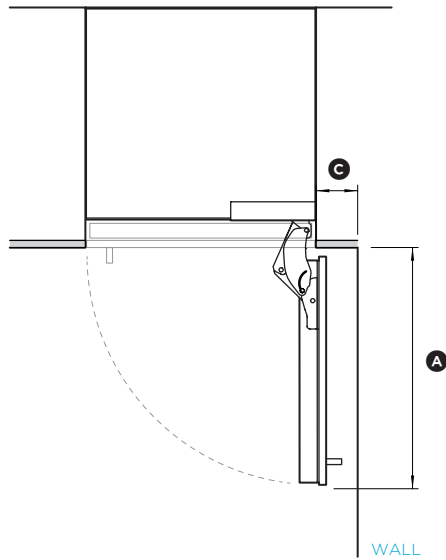
RS2484SR1 / RS2484SRK1 / RS2484FRJ1 / RS2484FRJK1
with Stainless Steel Door panel RD2484R4D
and Handle AHD3-RD84

NOTE: Left hand hinge model is a mirrored version of image shown.

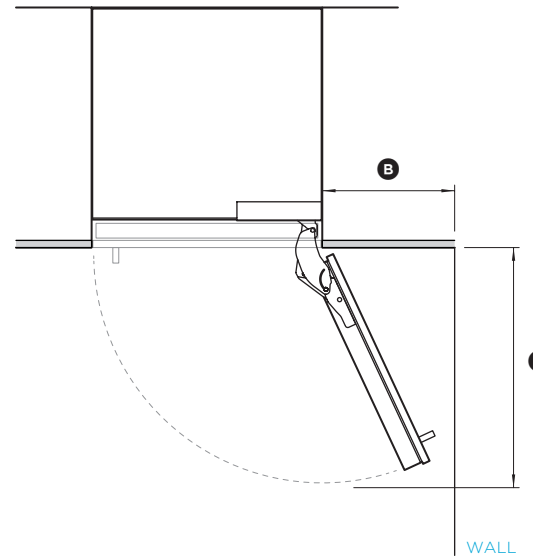
RS2484SL1 / RS2484SLK1 / RS2484FLJ1 / RS2484FLJK1
with Stainless Steel Door panel RD2484L4D
and Handle AHD3-RD84

Door Opening & Clearance Dimensions	mm
Ⓐ Depth of door (90° open) measured from front of door	660
Ⓑ Minimum door clearance to adjacent wall* (115° - full internal access)	356
Ⓒ Minimum door clearance to adjacent wall* (90° - reduced internal access)	110

* Measured from front cabinetry edge.



90° DOOR OPENING



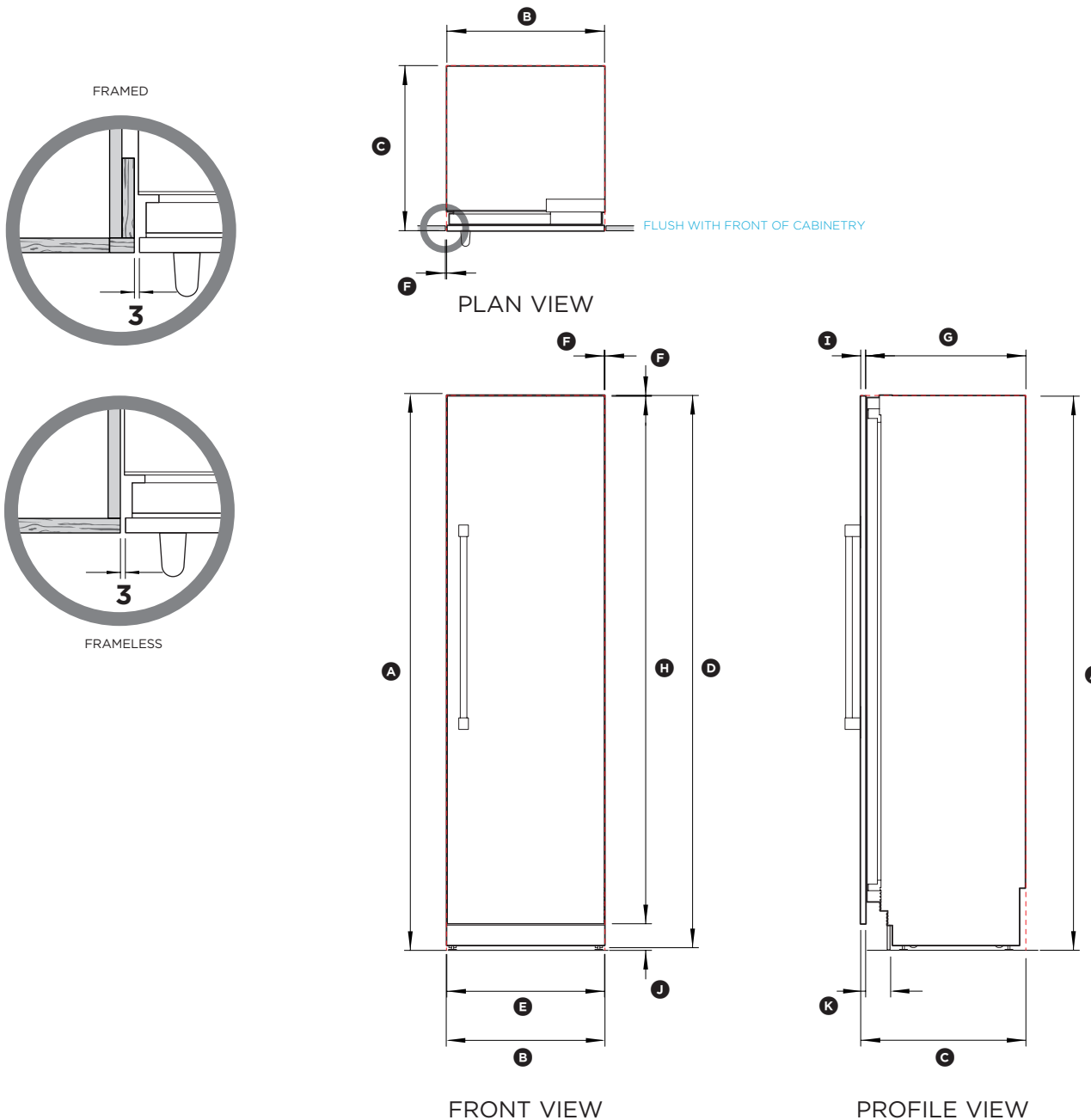
115° DOOR OPENING
[FULL ROTATION]

DATE: 10.10.2018

IMPORTANT NOTE: Throughout this guide, dimensions may vary by ±2mm (1/16"). Please read the installation manual for detailed information on installing the product. For full installation instructions & specifications visit fisherpaykel.com

FISHER & PAYKEL

PRODUCT & CAVITY DIMENSIONS 24" Professional Integrated Column Fridge / Freezer



Model nos:

RS2484SR1 / RS2484SRK1 / RS2484FRJ1 / RS2484FRJK1
with Stainless Steel Door panel RD2484R4D, Handle AHC-RD84
and Stainless Steel Toekick Panel AKRS24041

NOTE: Left hand hinge model is a mirrored version of image shown.

RS2484SL1 / RS2484SLK1 / RS2484FLJ1 / RS2484FLJK1
with Stainless Steel Door panel RD2484L4D, Handle AHC-RD84
and Stainless Steel Toekick Panel AKRS24041

Cavity Dimensions	mm
Ⓐ Overall height of cavity	2134
Ⓑ Overall width of cavity	610
Ⓒ Minimum overall depth of cavity	635

Product Dimensions	mm
Ⓐ Overall height of product	2134
Ⓑ Overall width of product	603
Ⓕ Minimum cabinetry gap clearance from edge of door panel	3
Ⓒ Overall depth of product (excl. door front panel)	610
Ⓓ Height of door front panel	2029
Ⓔ Depth of door front panel (excludes handles)	19
Ⓖ Height of toekick*	102
Ⓒ Depth of toekick (excl. door front and toekick panels)	68 - 101

*Standard toe kick height is 102mm with the optional stainless door panel.

INDICATES CAVITY CLEARANCES - - - - -

DATE: 10.10.2018

IMPORTANT NOTE: Throughout this guide, dimensions may vary by $\pm 2\text{mm}$ (1/16"). Please read the installation manual for detailed information on installing the product. For full installation instructions & specifications visit fisherpaykel.com

FISHER & PAYKEL

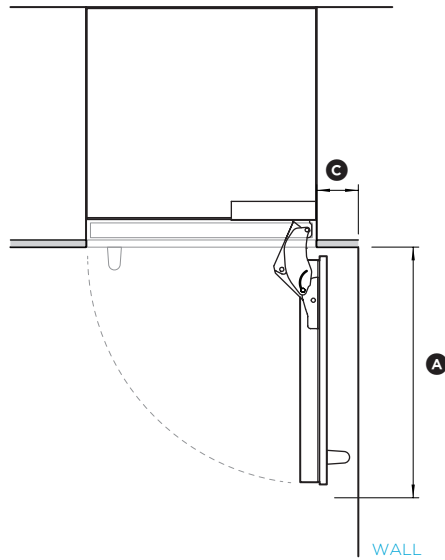
DOOR OPENING CLEARANCE DIMENSIONS 24" Professional Integrated Column Fridge / Freezer

Model nos:

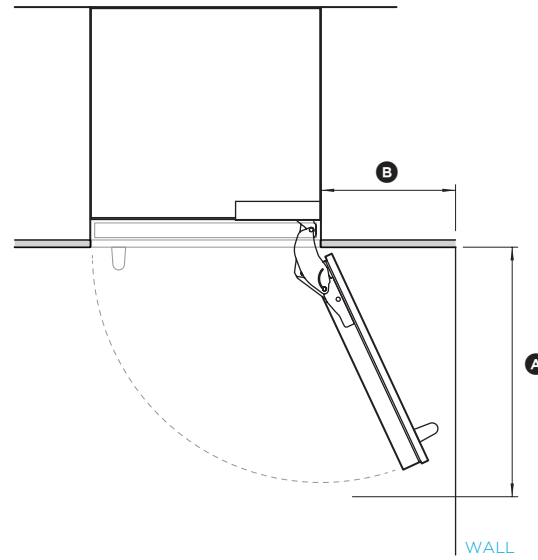
RS2484SR1 / RS2484SRK1 / RS2484FRJ1 / RS2484FRJK1
with Stainless Steel Door panel RD2484R4D
and Handle AHC-RD84

NOTE: Left hand hinge model is a mirrored version of image shown.

RS2484SL1 / RS2484SLK1 / RS2484FLJ1 / RS2484FLJK1
with Stainless Steel Door panel RD2484L4D
and Handle AHC-RD84



90° DOOR OPENING



115° DOOR OPENING
[FULL ROTATION]

Door Opening & Clearance Dimensions	mm
Ⓐ Depth of door (90° open) measured from front of door	660
Ⓑ Minimum door clearance to adjacent wall* (115° - full internal access)	356
Ⓒ Minimum door clearance to adjacent wall* (90° - reduced internal access)	110

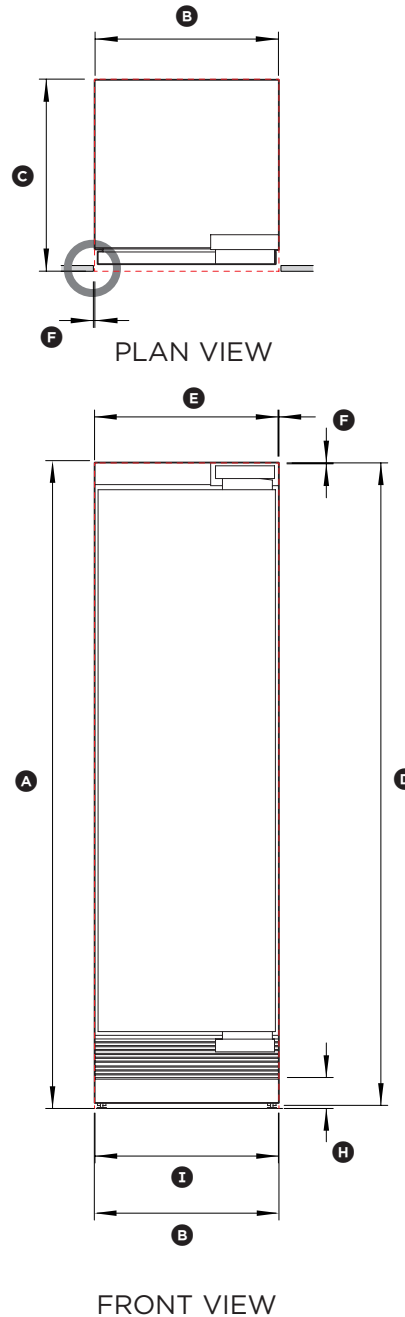
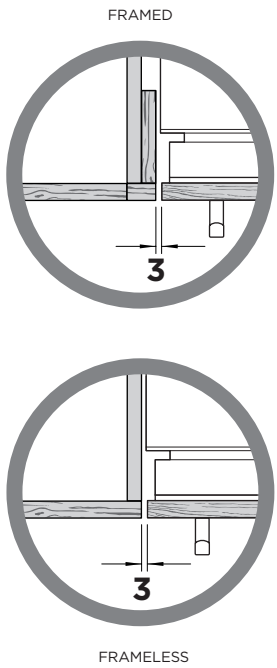
* Measured from front cabinetry edge.

DATE: 10.10.2018

IMPORTANT NOTE: Throughout this guide, dimensions may vary by $\pm 2\text{mm}$ (1/16"). Please read the installation manual for detailed information on installing the product. For full installation instructions & specifications visit fisherpaykel.com

FISHER & PAYKEL

PRODUCT & CAVITY DIMENSIONS 24" Integrated Column Fridge / Freezer



Model nos:

RS2484SR1 / RS2484SRK1 / RS2484FRJ1 / RS2484FRJK1

NOTE: Left hand hinge model is a mirrored version of image shown.

RS2484SL1 / RS2484SLK1 / RS2484FLJ1 / RS2484FLJK1

Cavity Dimensions	mm
Ⓐ Overall height of cavity	2134
Ⓑ Overall width of cavity	610
Ⓒ Minimum overall depth of cavity*	635

Total front panel width with required gaps at sides = 610mm
(Refer custom panel dimensions - panel width + 2 x Ⓕ cabinetry gaps).

* Assumes a door panel thickness of 19mm.

Product Dimensions	mm
Ⓐ Overall height of product	2134
Ⓑ Overall width of product	603
Ⓕ Minimum cabinetry gap clearance from edge of custom panels**	3
Ⓒ Overall depth of product (excl. door front panel)	610
Ⓓ Height of toekick**	50 - 152
Ⓔ Width of toekick**	607
Ⓗ Depth of toekick** (excl. door front and toekick panels)	68 - 101

** For custom panel dimensions refer to page 24.

Door panel and custom toekick panel to be manufactured and fitted by cabinetmaker. Door panel thickness min 16mm - max 25mm.

INDICATES CAVITY CLEARANCES - - - - -

DATE: 10.10.2018

IMPORTANT NOTE: Throughout this guide, dimensions may vary by $\pm 2\text{mm}$ (1/16"). Please read the installation manual for detailed information on installing the product. For full installation instructions & specifications visit fisherpaykel.com

FISHER & PAYKEL

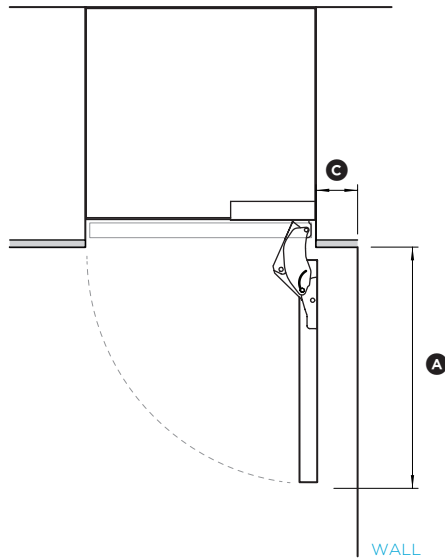
DOOR OPENING CLEARANCE DIMENSIONS 24" Integrated Column Fridge / Freezer

Model nos:

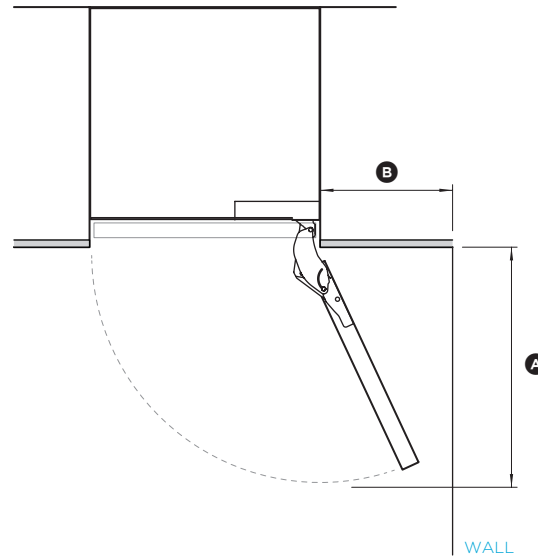
RS2484SR1 / RS2484SRK1 / RS2484FRJ1 / RS2484FRJK1

NOTE: Left hand hinge model is a mirrored version of image shown.

RS2484SL1 / RS2484SLK1 / RS2484FLJ1 / RS2484FLJK1



90° DOOR OPENING



115° DOOR OPENING
[FULL ROTATION]

Door Opening & Clearance Dimensions	mm
Ⓐ Depth of door (90° open) measured from front of door	660
Ⓑ Minimum door clearance** to adjacent wall* (115° - full internal access)	356
Ⓒ Minimum door clearance** to adjacent wall* (90° - reduced internal access)*	110

* Does not include the custom door panels or handles to be manufactured and fitted by cabinetmaker.

** Measured from front cabinetry edge.

DATE: **10.10.2018**

IMPORTANT NOTE: Throughout this guide, dimensions may vary by $\pm 2\text{mm}$ (1/16"). Please read the installation manual for detailed information on installing the product. For full installation instructions & specifications visit fisherpaykel.com

FISHER & PAYKEL

CUSTOM PANEL PREPARATION - HINGE 24" Integrated Column Fridge / Freezer

Model nos:

RS2484SR1 / RS2484SRK1 / RS2484FRJ1 / RS2484FRJK1

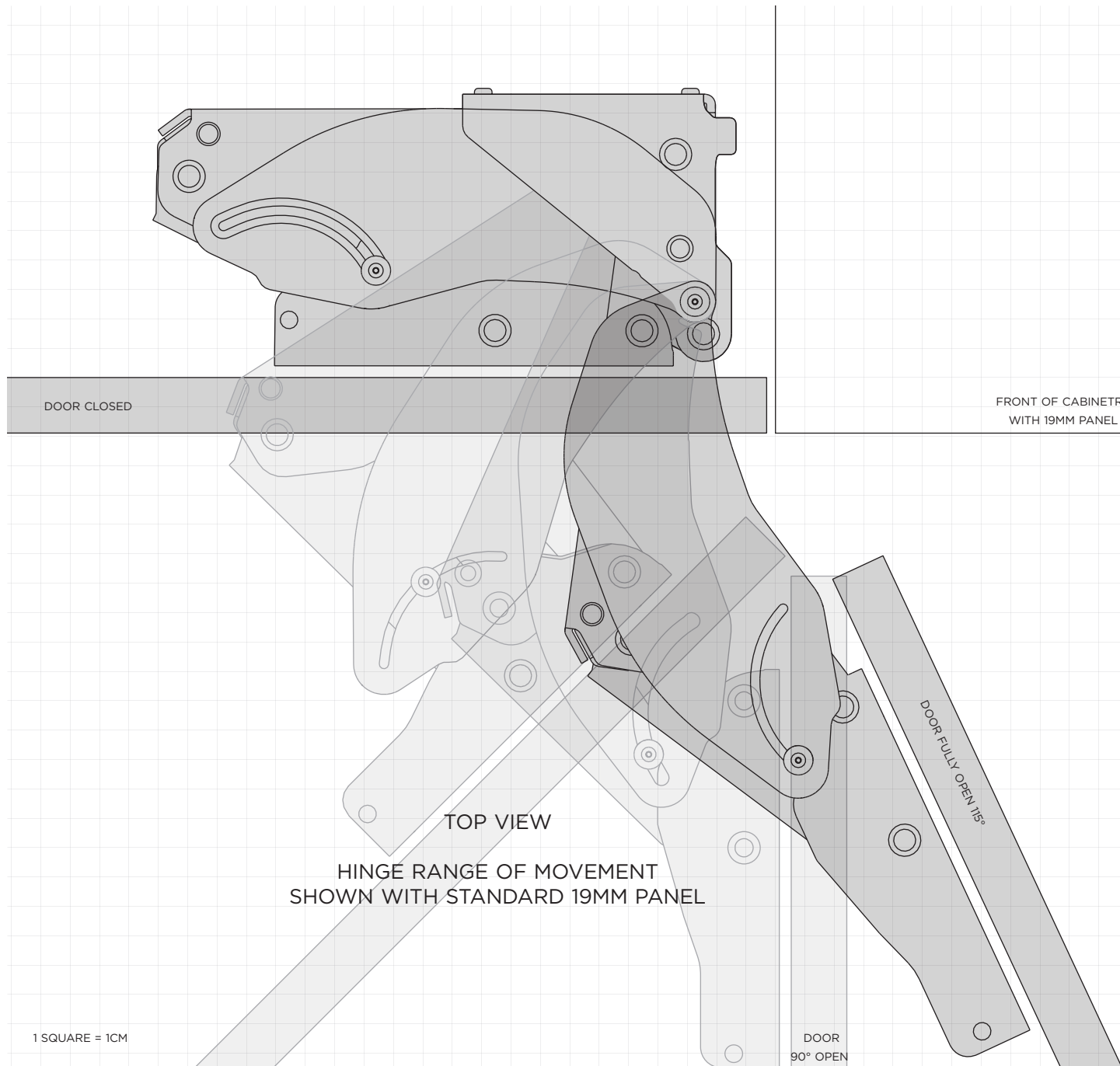
NOTE: Left hand hinge model is a mirrored version of image shown.

RS2484SL1 / RS2484SLK1 / RS2484FLJ1 / RS2484FLJK1

Dwg & Dxf Files

Dwg and Dxf files of the panel preparation are available within the download folder for this product and can be found on <http://thekitchentools.fisherpaykel.com>

Door Hinge - Hettich K05

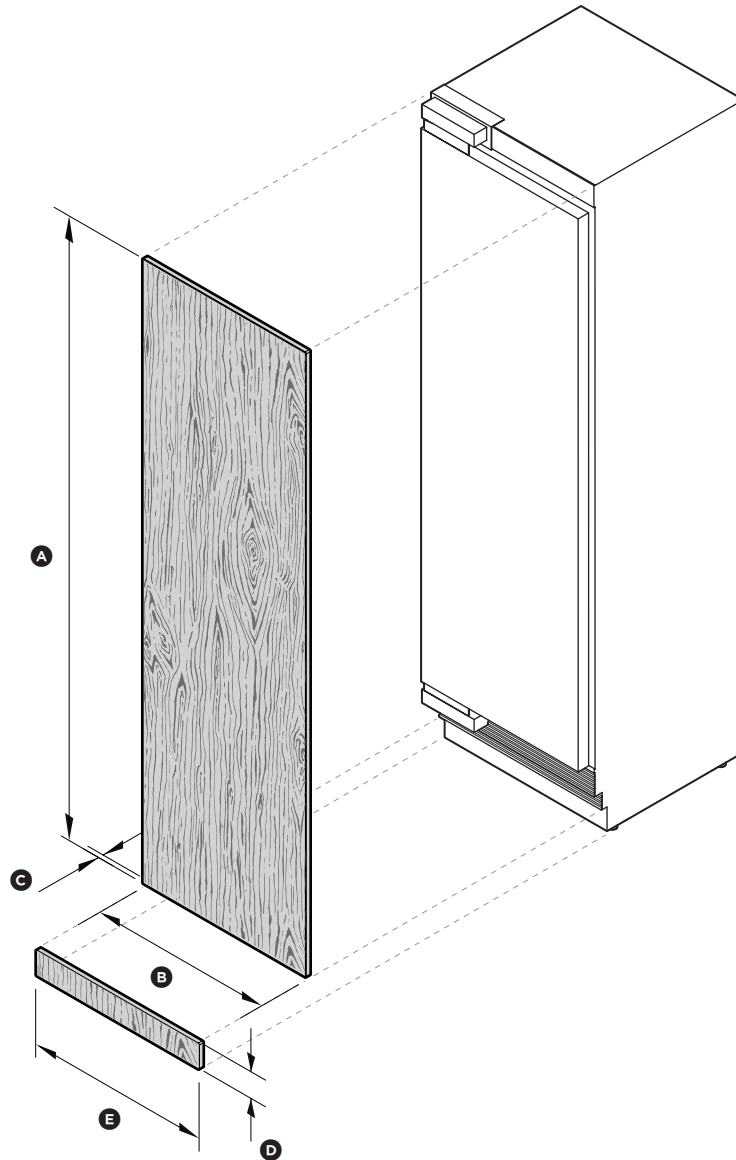


DATE: **10.10.2018**

IMPORTANT NOTE: Throughout this guide, dimensions may vary by $\pm 2\text{mm}$ (1/16"). Please read the installation manual for detailed information on installing the product. For full installation instructions & specifications visit fisherpaykel.com

FISHER & PAYKEL

CUSTOM PANEL DIMENSIONS 24" Integrated Column Fridge / Freezer



ISO VIEW

Model nos:

RS2484SL1 / RS2484SLK1 / RS2484FLJ1 / RS2484FLJK1

NOTE: Right hand hinge model is a mirrored version of image shown.

RS2484SR1 / RS2484SRK1 / RS2484FRJ1 / RS2484FRJK1

Custom Panel Dimensions*	mm
Ⓐ Height of door panel	1978 - 2080
Ⓑ Width of door panel - single install Width of door panel - dual install	604 605.5
Ⓒ Maximum depth of custom panel	min 16 max 25
Ⓓ Height of toe-kick panel**	50 - 152
Ⓔ Width of toe-kick panel	607
Maximum weight of door panel***	25kg

* Custom door panels, toe-kick and handles to be manufactured / fitted by cabinetmaker.

** The bottom grille can be reduced to allow for a higher toe-kick. Adjust the height of the door panel accordingly.

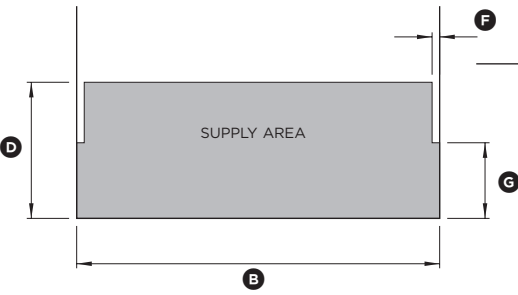
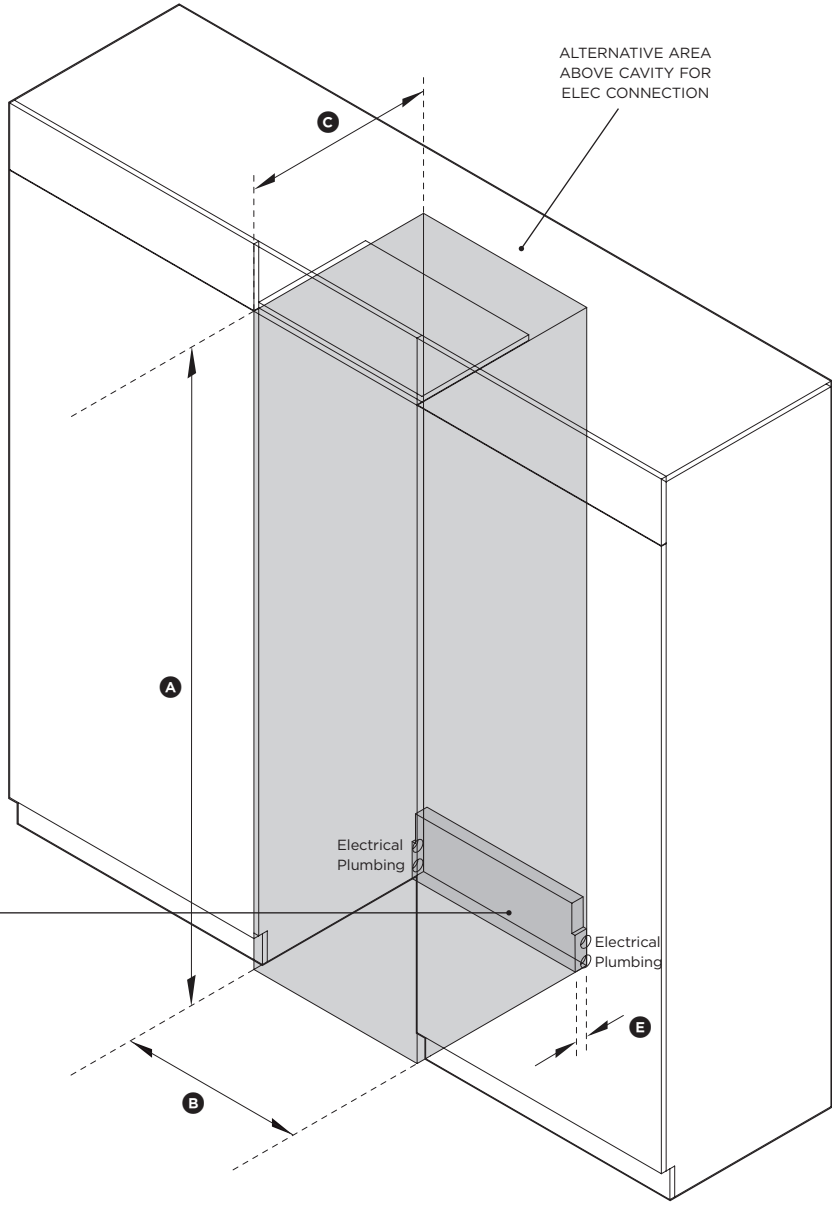
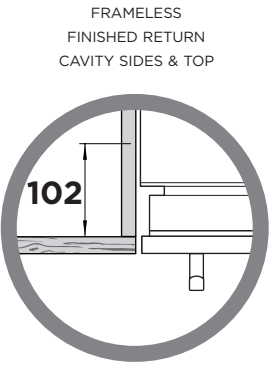
*** Includes weight of handle.

DATE: 10.10.2018

IMPORTANT NOTE: Throughout this guide, dimensions may vary by $\pm 2\text{mm}$ (1/16"). Please read the installation manual for detailed information on installing the product. For full installation instructions & specifications visit fisherpaykel.com

FISHER & PAYKEL

CAVITY PREPARATION - FRAMELESS 24" Integrated Column Fridge / Freezer



ISO VIEW OF CAVITY

Model nos:
RS2484SR1 / RS2484SRK1 / RS2484FRJ1 / RS2484FRJK1
 NOTE: Left hand hinge model is a mirrored version of image shown.
RS2484SL1 / RS2484SLK1 / RS2484FLJ1 / RS2484FLJK1

IMPORTANT!
 For ease of installation, ensure cavity has consistent dimensions top to bottom and left to right.

Minimum Cavity Dimensions	mm
Ⓐ Overall height of cavity	2134
Ⓑ Overall width of cavity	610
Ⓒ Overall depth of cavity	635
Minimum required finished return	102

Electrical / Plumbing Supply Dimensions	mm
Ⓓ Overall height of supply area	229
Ⓔ Overall depth of supply area	25
Ⓕ Width of notch in supply area (both sides)	13
Ⓖ Height of sides of supply area (both sides)	127

Specifications	
Electrical	
Supply	115 VAC, 60 Hz
Service	10 amp circuit
Plumbing	
Supply	1/4" (6mm) comp. stainless steel braided hose with adaptor
Pressure	min 150 kPa (22 psi) max 827 kPa (120 psi) @ 20°C (68°F)

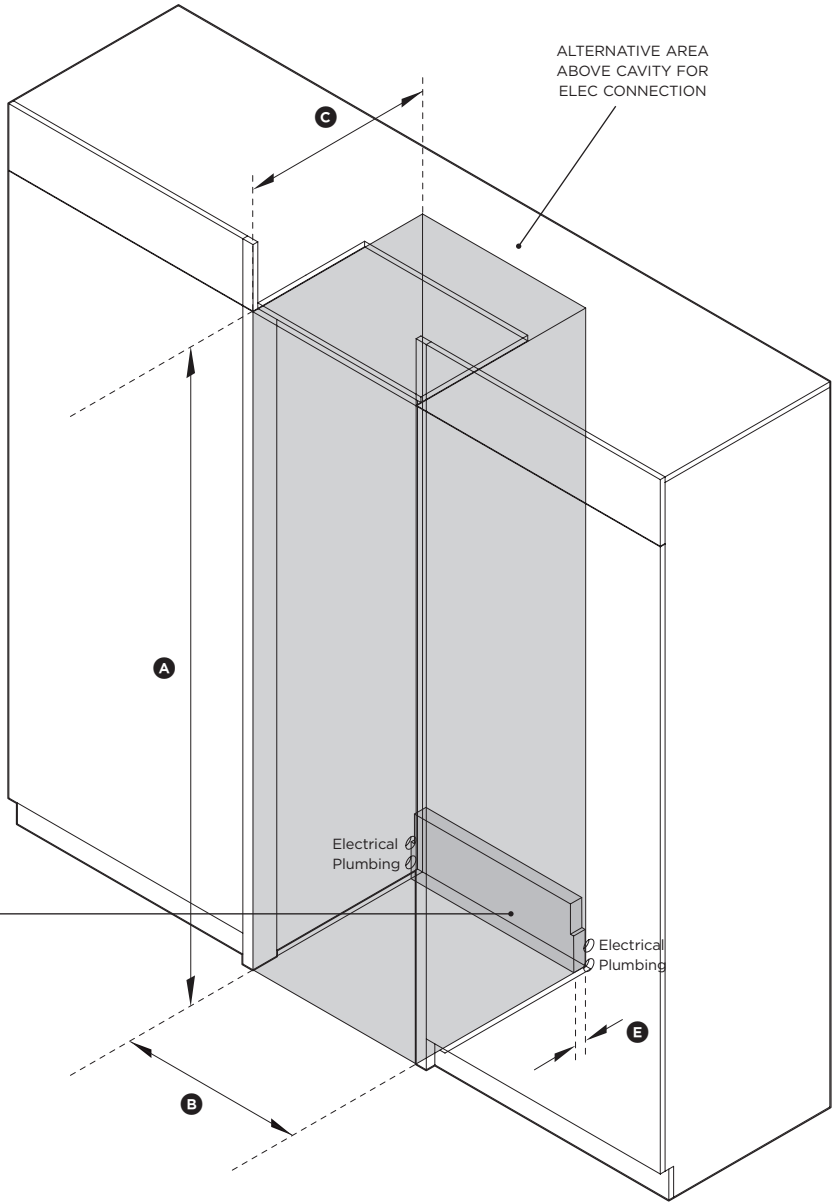
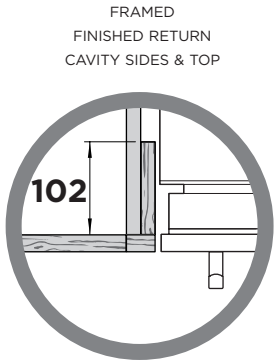
NOTE: Electrical connection can be located an adjacent cabinet to either side of the fridge or above the fridge cavity.

DATE: 10.10.2018

IMPORTANT NOTE: Throughout this guide, dimensions may vary by ±2mm (1/16"). Please read the installation manual for detailed information on installing the product. For full installation instructions & specifications visit fisherpaykel.com

FISHER & PAYKEL

CAVITY PREPARATION - FRAMED 24" Integrated Column Fridge / Freezer



ISO VIEW OF CAVITY

Model nos:
RS2484SR1 / RS2484SRK1 / RS2484FRJ1 / RS2484FRJK1
 NOTE: Left hand hinge model is a mirrored version of image shown.
RS2484SL1 / RS2484SLK1 / RS2484FLJ1 / RS2484FLJK1

IMPORTANT!
 For ease of installation, ensure cavity has consistent dimensions top to bottom and left to right.

Minimum Cavity Dimensions	mm
Ⓐ Overall height of cavity	2134
Ⓑ Overall width of cavity	610
Ⓒ Overall depth of cavity	635
Minimum required finished return	102

Electrical / Plumbing Supply Dimensions	mm
Ⓓ Overall height of supply area	229
Ⓔ Overall depth of supply area	25
Ⓕ Width of notch in supply area (both sides)	13
Ⓖ Height of sides of supply area (both sides)	127

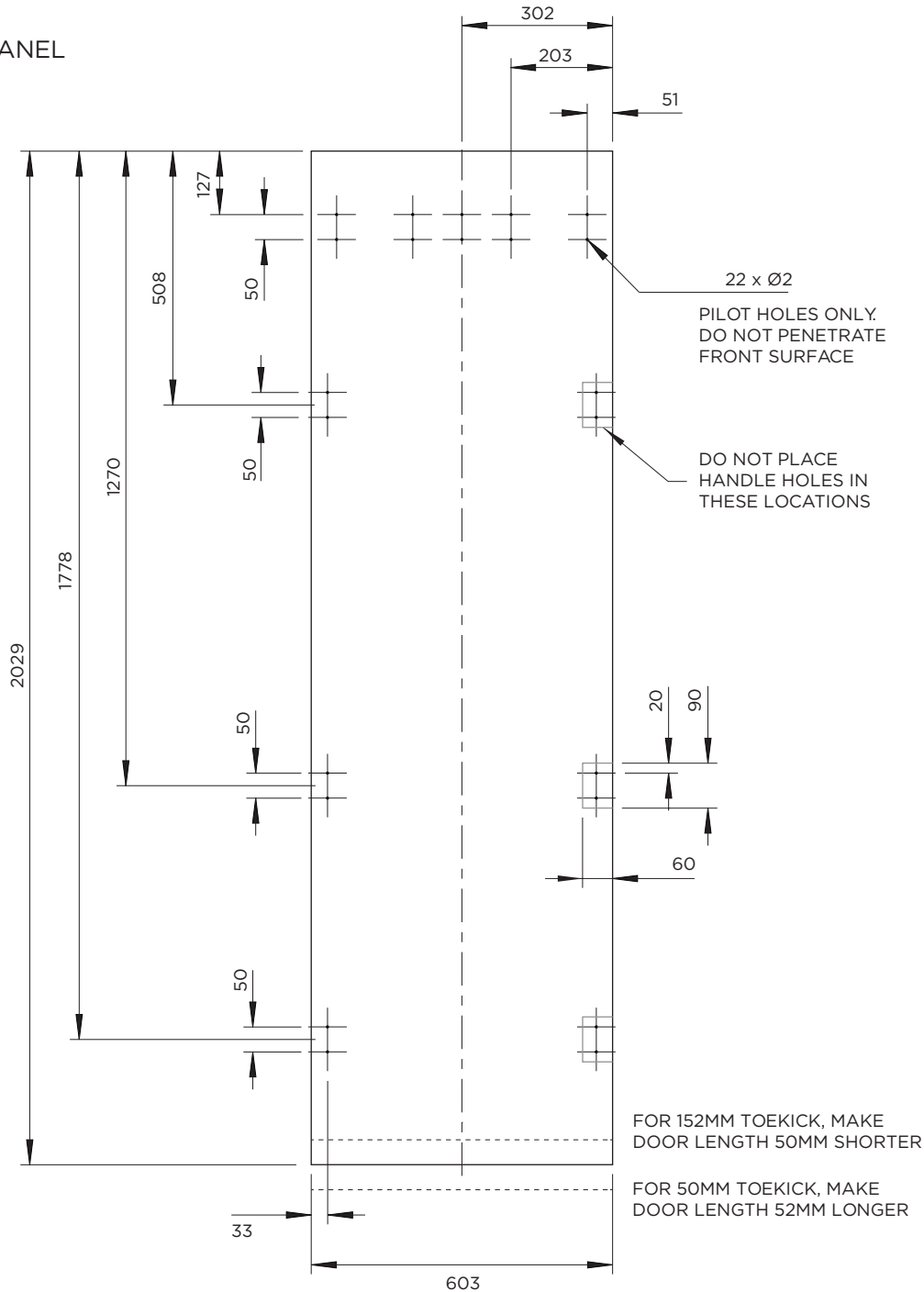
Specifications	
Electrical	
Supply	115 VAC, 60 Hz
Service	10 amp circuit
Plumbing	
Supply	1/4" (6mm) comp. stainless steel braided hose with adaptor
Pressure	min 150 kPa (22 psi) max 827 kPa (120 psi) @ 20°C (68°F)

NOTE: Electrical connection can be located an adjacent cabinet to either side of the fridge or above the fridge cavity

DATE: 10.10.2018

IMPORTANT NOTE: Throughout this guide, dimensions may vary by ±2mm (1/16"). Please read the installation manual for detailed information on installing the product. For full installation instructions & specifications visit fisherpaykel.com

610MM
COLUMN DOOR PANEL
REAR VIEW



FISHER & PAYKEL

CUSTOM PANEL PREPARATION 24" Integrated Column Fridge / Freezer

Model nos:

RS2484SR1 / RS2484SRK1 / RS2484FRJ1 / RS2484FRJK1

NOTE: Left hand hinge model is a mirrored version of image shown.

RS2484SL1 / RS2484SLK1 / RS2484FLJ1 / RS2484FLJK1

Custom Panel Preparation

Dimensions are shown in millimetres (mm).

Dimensions apply for the preparation and installation of custom panels

Handles

Ensure handle screw heads are countersunk into back of panel to avoid interfering with hanging bracket, and clear of side brackets as indicated.

Dwg & Dxf Files

Dwg and Dxf files of the panel preparation are available within the download folder for this product and can be found on <http://thekitchentools.fisherpaykel.com>

DATE: **10.10.2018**

IMPORTANT NOTE: Throughout this guide, dimensions may vary by ±2mm (1/16"). Please read the installation manual for detailed information on installing the product. For full installation instructions & specifications visit fisherpaykel.com

FISHER & PAYKEL

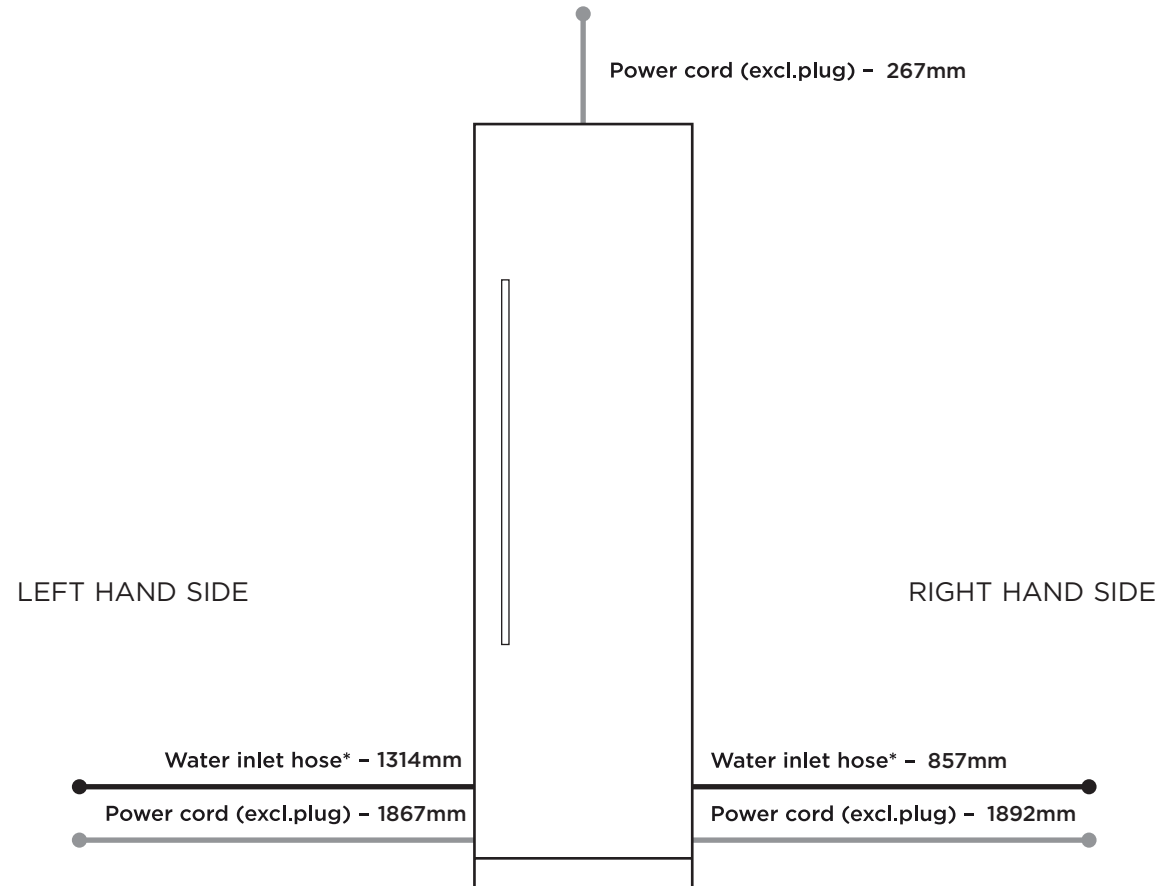
POWER AND WATER CONNECTIONS 24" Columns Built-In Fridge

Model nos:

RS2484SR1 / RS2484SRK1 / RS2484FRJ1 / RS2484FRJK1

RS2484SL1 / RS2484SLK1 / RS2484FLJ1 / RS2484FLJK1

* Water inlets apply to freezers only



DATE: 10.10.2018

IMPORTANT NOTE: Throughout this guide, dimensions may vary by $\pm 2\text{mm}$ (1/16"). Please read the installation manual for detailed information on installing the product. For full installation instructions & specifications visit fisherpaykel.com

FISHER & PAYKEL