

# 7kg Series 7 Vented Dryer, Auto Sensing, Full Reverse Tumbling

Series 7 | Vented

White



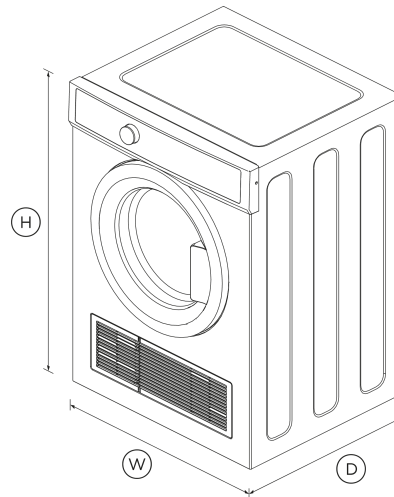
Dry your clothes efficiently without over drying, with multiple ways to install and vent.

- Auto-sensing detects moisture level to prevent under or over drying
- Ten different fabric care cycles including Delicate, Bulky, and Freshen
- Full reverse tumbling to help dry garments quicker and more evenly

- Drying rack for items that are too precious to tumble

## DIMENSIONS

Height	830 mm
Width	600 mm
Depth	580 mm



## FEATURES & BENEFITS

### Auto-Sensing Technology

Auto-sensing prevents over-drying by sensing moisture levels inside the drum and shutting off automatically. This helps clothes last for longer and reduces energy consumption.

### Cares For Clothes

This dryer has a cycle to suit every type of load including Delicate, Bulky and Sports. Select a cycle with the easy to use SmartTouch™ control dial.

### Simple Installation

Vent out either the front or the back of this dryer. A wall mounting kit is included and the control panel can be inverted easily.

### Drying Rack

This model comes with a drying rack, perfect for those items that are too precious to tumble.

### Reverse Tumbling

Reverse tumbling alternates direction to help garments move freely so they dry quicker and more evenly.

### Easy Loading

The robust dryer door features die cast metal hinges that open to a full 180° for easy access and loading.

## SPECIFICATIONS

### Capacity

Total capacity	7 kg
----------------	------

### Consumption

Energy rating	2 star
Energy usage	315kWh/year
In-use energy carbon emissions estimate	42.7kgCO2e/year

### Dry Cycles

Air Dry	•
---------	---

Bulky	•	Time dry	<b>30,40,50... 150 mins</b>
Delicate	•		
Easy Iron	•		
Everyday	•		
Heavy	•		
Number of cycles	<b>10</b>	<b>Product dimensions</b>	
Rack dry	•	Depth	<b>580 mm</b>
Sports	•	Height	<b>830 mm</b>
Time dry	•	Width	<b>600 mm</b>

**Features**

- Child/Keylock •
- Clean door lint filter reminder •
- Drying rack •
- Easy access lint filter •
- Easy invert panel •
- End of cycle signal •
- Progress indicator •
- SmartTouch™ control dial •
- Time to go •
- Wrinkle free option •

**Performance**

- Auto sensing •
- Choice of front or rear venting •
- Dryness settings **5**
- Reverse tumbling **Semi reverse tumbling**
- Temperature settings **4**

**Warranty**

Parts and labour **2 years**

SKU **93275**

The product dimensions and specifications in this page apply to the specific product and model. Under our policy of continuous improvement, these dimensions and specifications may change at any time. You should therefore check with Fisher & Paykel's Customer Care Centre to ensure this page correctly describes the model currently available. © Fisher & Paykel Appliances Ltd 2020

**Other product downloads available at fisherpaykel.com**

- [↓](#) Energy Label Vented Dryer
- [↓](#) Service & Warranty
- [↓](#) User Guide Vented Dryer

Where applicable:

All appliances use energy, and energy usage typically generates carbon emissions. **Fisher & Paykel Appliances' In-use Energy Carbon Emissions Estimate** indicates carbon emissions from a product's in-use energy. This is calculated either annually or per cycle, using the product's market-specific energy label energy consumption data multiplied by the carbon emissions factor for energy in your country or region.

Our In-use Energy Carbon Emissions Estimate is designed to assist customers in making informed purchasing decisions when comparing different Fisher & Paykel products. For example, a heat pump dryer typically has a lower In-use Energy Carbon Emissions Estimate than a vented dryer.



**A PEACE OF MIND SALE**  
**24 Hours 7 Days a Week Customer Support**  
 T 0800 372 273 W [www.fisherpaykel.com](http://www.fisherpaykel.com)