

7kg Series 5 Top Loader Washer

Series 5 | Top load

White

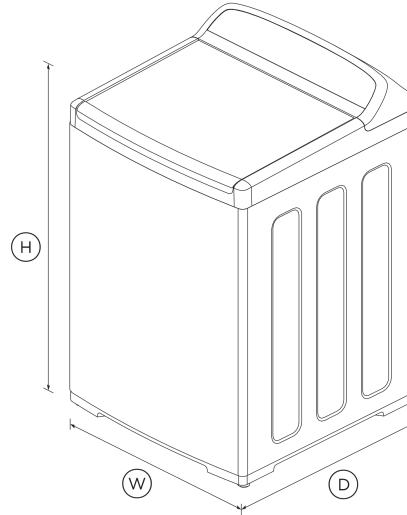


Running on SmartDrive™ technology for a quicker, quieter wash, you'll have plenty of room for a generous wash load.

- Six wash cycles including Allergy, Quick, Wool and Delicate
- Soak wash feature helps to clean tough stains
- Soft-close lid avoids slamming and hands-free operation
- Fast 1000RPM spin speed to remove more water for quicker drying

DIMENSIONS

Height	1045 - 1075 mm
Width	600 mm
Depth	600 mm



FEATURES & BENEFITS

Easy To Use

This machine has a cycle to suit every type of load including Delicate, Allergy and Wool. Select a cycle with easy-to-use SmartTouch™ controls.

Cares For Clothes

This machine has a cycle to suit every type of load including Delicate, Allergy and Wool. Select a cycle with easy-to-use SmartTouch™ controls.

Soft Close Lid

The robust plastic lid has a soft close mechanism that makes it family safe, avoids slamming and allows for hands-free operation.

Easy Installation

Self-levelling feet make installation easy and ensure the washer stays level. This minimises out-of-balance issues and vibration, which keeps noise levels to a minimum.

SPECIFICATIONS

Capacity

Capacity	7 kg
----------	------

Consumption

Energy rating	2 star
Energy usage	565kWh/year
In-use energy carbon emissions estimate	368.0kgCO2e/year
Water consumption per cycle	86L
Water rating	3.5 star (WELS)

Features

Adjustable alert beeps	•
Agitator	Flexible finned
Auto out of balance correction	•
Automatic water level	•
Child/Keylock	•
Controlled cold	•
Delay start	•

Detergent dispenser	•
Eco rinse	•
Fabric softener dispenser	•
Lid lock	•
Manual water levels	5
No Spin / Spin hold	•
Rinse options	3
Soak	•
Spin speeds	3
Stainless steel drum	•
Water temperature controls	5

Wash Cycles	
Allergy	•
Customise cycle	•
Delicate	•
Heavy	•
Number of wash cycles	6
Quick	•
Regular	•
Wool	•

SKU 92261

The product dimensions and specifications in this page apply to the specific product and model. Under our policy of continuous improvement, these dimensions and specifications may change at any time. You should therefore check with Fisher & Paykel's Customer Care Centre to ensure this page correctly describes the model currently available. © Fisher & Paykel Appliances Ltd 2020

Other product downloads available at fisherpaykel.com

- [↓](#) Energy & Water Label
- [↓](#) Service & Warranty
- [↓](#) Installation Guide
- [↓](#) User Guide

Where applicable:

All appliances use energy, and energy usage typically generates carbon emissions. **Fisher & Paykel Appliances' In-use Energy Carbon Emissions Estimate** indicates carbon emissions from a product's in-use energy. This is calculated either annually or per cycle, using the product's market-specific energy label energy consumption data multiplied by the carbon emissions factor for energy in your country or region.

Our In-use Energy Carbon Emissions Estimate is designed to assist customers in making informed purchasing decisions when comparing different Fisher & Paykel products. For example, a heat pump dryer typically has a lower In-use Energy Carbon Emissions Estimate than a vented dryer.



A PEACE OF MIND SALE
24 Hours 7 Days a Week Customer Support
 T 1300 650 590 W www.fisherpaykel.com

Performance

Auto-Lint disposal	•
Load sensing	•
Maximum spin speed	1000 rpm
Number of spin speeds	3
SmartDrive™ technology	•

Product dimensions

Depth	600 mm
Height	1045 - 1075 mm
Height (Lid open)	1350 - 1380mm
Width	600 mm

Warranty

Parts only SmartDrive™ motor	10 years
------------------------------	----------