

FISHER & PAYKEL

DISHWASHER

CONTEMPORARY

DW60FC4X2, DW60FC1X2, DW60FC2X2, DW60FC1X3,
DW60FC2X3, DW60FC4X3, DW60FC1B2, DW60FC2B2 and
DW60FC4B2 models

INSTALLATION GUIDE

NZ AU

⚠ WARNING!



Electric Shock Hazard

Failure to follow this advice may result in electrical shock or death.

- This appliance must be earthed. This appliance has a cord with an equipment-earthing conductor and an earthing plug. The plug must be plugged into an appropriate outlet that is installed and earthed in accordance with all local regulations.
- **WARNING** – Improper connection of the equipment-earthing conductor can result in a risk of electric shock. Check with a qualified electrician or service technician if you are unsure if the appliance is properly earthed.
- Do not modify the power supply plug provided with the appliance. If a different outlet is required have it installed by a qualified electrician. Do not use an extension cord, adapter plug or multi-box.

⚠ WARNING!



Cut Hazard

Failure to use caution could result in injury.

- Take care – panel edges are sharp.

⚠ WARNING!



Weight Hazard

Failure to follow this advice may result in damage or personal injury.

- Do not attempt to lift this product unassisted.

SAFETY AND WARNINGS

WARNING!

To reduce the risk of fire, injury to persons or damage when using the appliance, follow the important safety instructions listed below. Read all the guidance before using the appliance.

Servicing

- Do not repair or replace any part of the appliance unless specifically recommended in this guide. All other servicing should be undertaken by a Fisher & Paykel trained and supported service technician or qualified person.

Installation

- Ensure all water connections are turned OFF. It is the responsibility of the plumber and electrician to ensure that each installation complies with all Codes and Regulations.
- The dishwasher MUST be installed to allow for future removal from the enclosure if service is required.
- The switched power outlet must be outside the dishwasher cavity, so that it is accessible after installation.
- This dishwasher is manufactured for indoor use only.
- Care should be taken when the appliance is installed or removed to reduce the likelihood of damage to the power supply cord and hoses.
- If the dishwasher is to be relocated from one installation to another it must be kept upright to avoid damage from water spillage.
- Make sure only new hoses are used for connection (supplied with the dishwasher). Old hoses should not be reused.
- Failure to install the dishwasher correctly could invalidate any warranty or liability claims.
- Ensure the dishwasher is placed between cabinetry. Failure to do so may result in an unstable product, which may cause damage or injury.
- Do not operate this appliance if it is damaged, malfunctioning, partially disassembled or has missing or broken parts, including a damaged power supply cord or plug.
- Do not store or use petrol, or other flammable vapours and liquids in the vicinity of the dishwasher.
- Connect to a properly rated, protected and sized power supply circuit to avoid electrical overload.
- Make sure that the power supply cord is located so that it will not be stepped on, tripped over or otherwise subject to damage or stress.
- Do not install or store the dishwasher where it will be exposed to temperatures below freezing or exposed to weather.
- Do not use an extension cord or a portable electrical outlet device (e.g. multi-socket outlet box) to connect the dishwasher to the power supply.
- This appliance must be earthed. In the event of a malfunction or breakdown, earthing will reduce the risk of electric shock by providing a path of least resistance for electric current.
- This appliance is equipped with a cord having an equipment-earthing conductor and an earthing plug. The plug must be plugged into an appropriate outlet that is installed and earthed in accordance with all local codes and ordinances.
- EARTHING INSTRUCTIONS - This appliance must be connected to a earthed metal, permanent wiring system, or an equipment-earthing conductor must be run with the circuit conductors and connected to the equipment-earthing terminal or lead on the appliance.
- Installation must comply with your local building and electricity regulations.

- Failure to install the custom panels correctly could invalidate any warranty or liability claims.
- Installation of this dishwasher requires basic mechanical and electrical skills.
- Be sure to leave these Instructions with the Customer.
- Installation must comply with your local building and electricity regulations.
- At the completion of the dishwasher installation, the Installer must perform the Final Checklist.
- Remove all packaging materials supplied with the dishwasher.
- If the product is installed in a motor vehicle, boat or similar mobile facility, you must bring the vehicle, boat or mobile facility containing the product to the service shop at your expense or pay the service technician's travel to the location of the product.

SAVE THESE INSTRUCTIONS

The models shown in this installation guide may not be available in all markets and are subject to change at any time. For current details about model and specification availability in your country, please go to our website www.fisherpaykel.com or contact your local Fisher & Paykel dealer.

COMPONENTS REQUIRED

PARTS

- Keep all packing materials until the unit has been inspected.
- Inspect the product to ensure there is no shipping damage. If any damage is detected contact the dealer or retailer you bought the product from to report the damage.
- Fisher & Paykel is not responsible for shipping damage.

Supplied



1.5m Inlet hose* FCI model only (1)



Moisture protection tape (1)



Drain hose support (1)

TOOLS

Not supplied



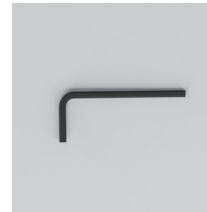
Powered driver



Cross-head screw driver

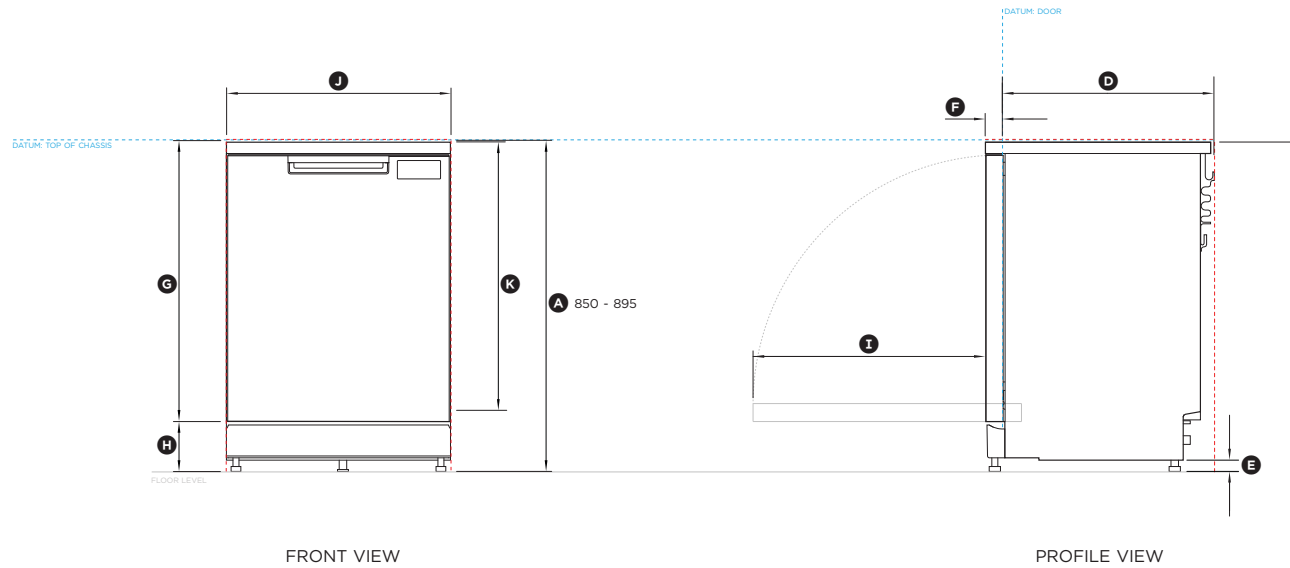
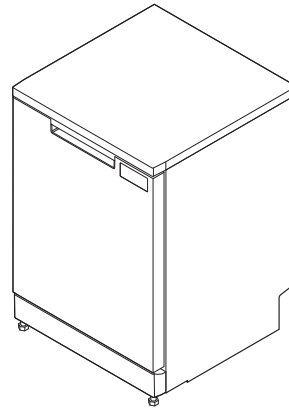
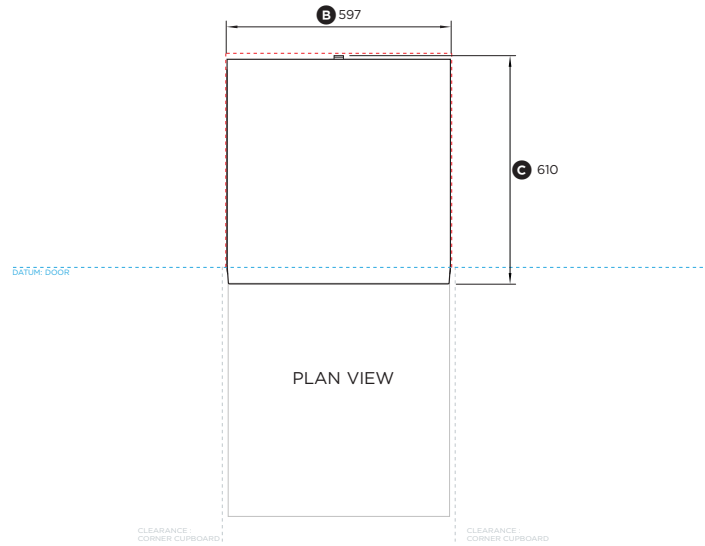


Flat-head screw driver



5mm Allen Key

PRODUCT DIMENSIONS



Models:

DW60FC1X3, DW60FC2X3, DW60FC4X3, DW60FC1B2, DW60FC2B2, DW60FC4B2

Product Dimensions	mm
(A) Overall height of product* (incl. top panel)	850 - 895
(B) Overall width of product	597
(C) Overall depth of product (incl. top panel)	600
(D) Depth chassis (incl. hose support)	558
(E) Height of feet*	0 - 45
(F) Door panel depth	46
(G) Height from top of chassis to bottom of door panel	745
(H) Height from to bottom of door to floor*	103
(I) Depth of door opening	620
(J) Door panel width	590
(K) Door panel height	711

*depending on adjustment of levelling feet

Minimum Clearances	mm
Minimum inside height of cavity* with top panel in place	850 - 895
with top panel removed**	820 - 865
Minimum inside width of cavity	600
Minimum overall depth of cavity	605

*depending on adjustment of levelling feet

**the top panel may be removed to suit underbench cavity height. See instructions further in guide

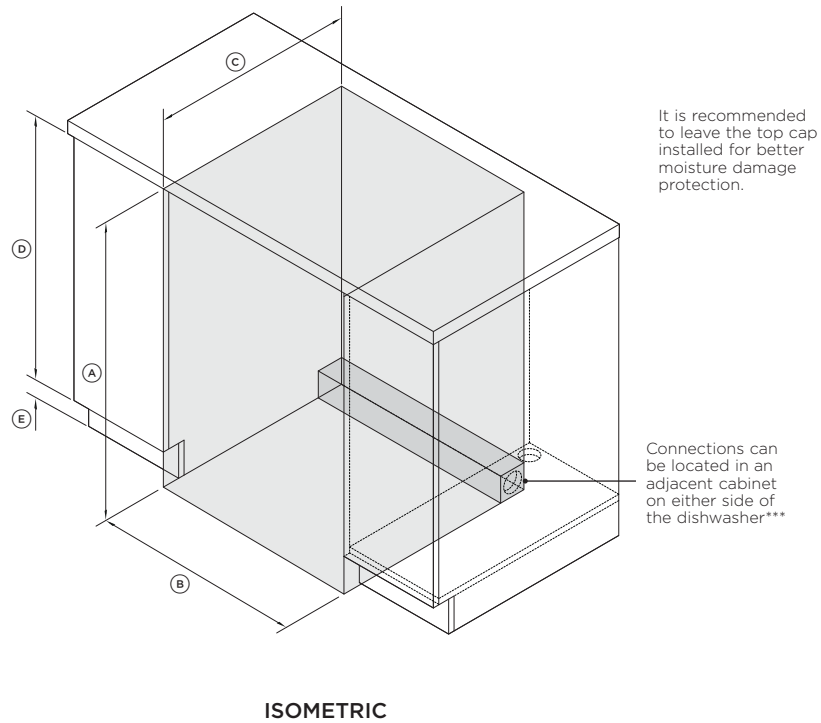
IMPORTANT NOTE: Throughout this guide, dimensions may vary by $\pm 2\text{mm}$ (1/16"). Please read the installation guide for detailed information on installing the product. For full installation instructions & specifications visit fisherpaykel.com



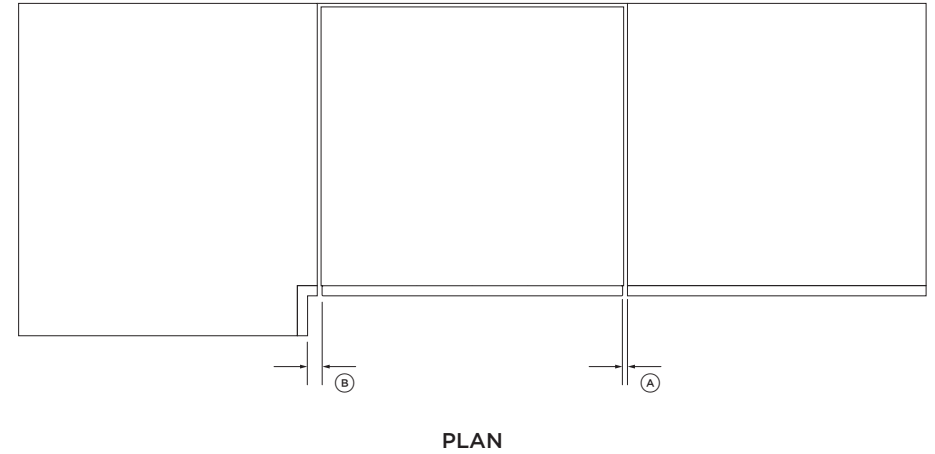
INDICATES PRODUCT DATUM -----
INDICATES CABINETRY CLEARANCES -----

CABINERY

DIMENSIONS



CLEARANCES



CABINERY DIMENSIONS

MM

Ⓐ Minimum inside height* with top panel in place	850 - 895
with top panel removed****	820 - 865
Ⓑ Minimum inside width	600
Ⓒ Minimum overall depth**	605
Ⓓ Recommended height of adjacent cabinetry	713-794
Ⓔ Height of toe kick area	65-200

*depending on adjustment of levelling feet

**including 19mm door panels on adjacent cabinetry

***For more information on service requirements, refer to 'Plumbing & electrical considerations' and 'Cabinetry preparation'.

****The top panel may be removed to suit underbench cavity height. See instructions further in guide.

CABINERY CLEARANCES

MM

Ⓐ Minimum clearance to adjacent cupboard door	2
Ⓑ Minimum clearance to corner cupboard	13

PLUMBING & ELECTRICAL CONSIDERATIONS

Hose and cord lengths

- Your services can be installed to **either** the left-hand or right-hand side of the product in an adjacent cabinet. Refer to 'Cabinetry preparation' for service access requirements.
- The drain hose should not extend more than 4m. A longer drain hose will cause reduced performance.

Water connection

- The dishwasher should not be connected to a water system where there is no temperature control, unless the system is fitted with a suitable tempering valve.
- The dishwasher must not be connected to an undersink high-pressure push-through hot water system, as damage to the system will result.
- Maximum water temperature: 60°C
- 3/4 BSP connector water inlet hose
- Ensure water connection complies with local plumbing regulations.

Water pressure

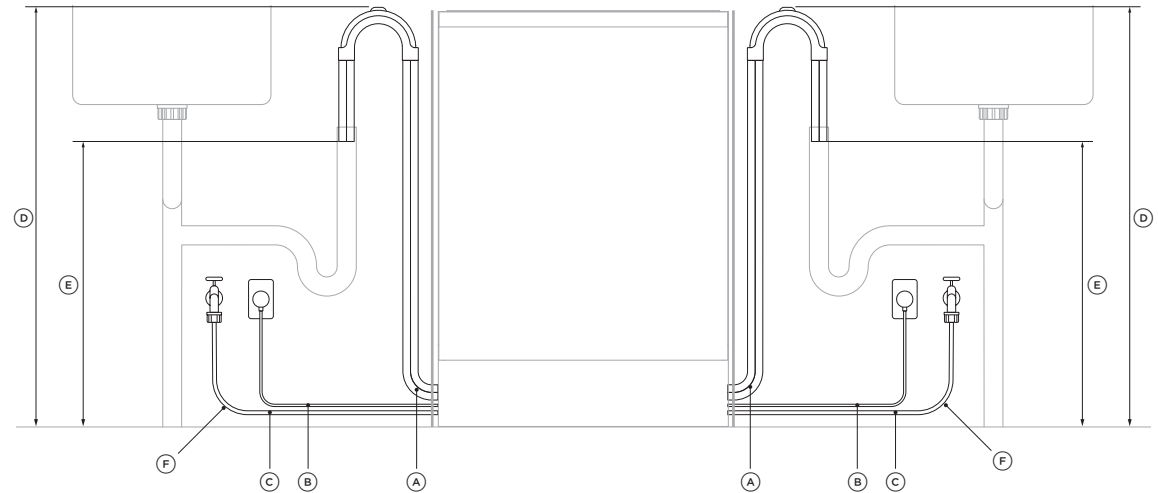
- 0.03-1MPa

Electrical requirements

- 230V, 50Hz, 10A

Anti-flood protection

- When powered, this product has anti-flood protection features



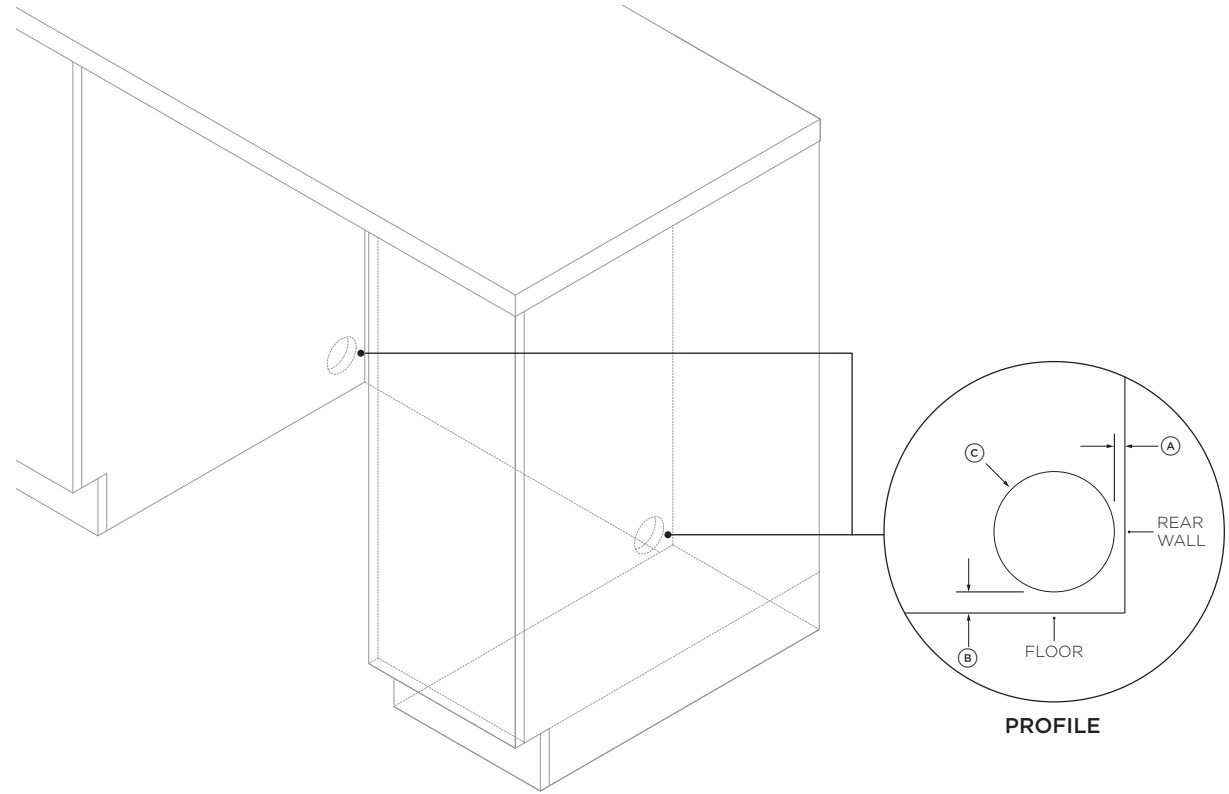
SERVICE DIMENSION	LEFT SIDE	RIGHT SIDE
	MM	MM
(A) Length of drain hose	1980	1650
(B) Length of power cord*	950	1450
(C) Length of inlet hose (FC2/4 models)	1450	1300
Length of inlet hose (FC1 models)	1300	1100
(D) Distance from floor to top of hose support	750-883	750-883
(E) Minimum distance from floor to end of drain hoses**	500	500
(F) Minimum inlet hose radius	200	200

*excluding plug

**standpipe install illustrated. Distance is the same for all plumbing installs.

SERVICE ACCESS

- We recommend locating the service holes on **either** side of the Dishwasher as shown.
- If the holes are created through wood, ensure the edges are smooth and rounded
- If the holes are created through metal, ensure an edge protector is fitted.



SERVICE HOLE DIMENSIONS

MM

(A) Maximum distance between rear of cavity and service hole*	15
(B) Maximum distance between floor and service hole**	0-35
(C) Minimum diameter of service hole	70

*based on a cabinetry depth of 580mm

**depending on adjustment of levelling feet

UNPACK PRODUCT

Always be careful with the hoses and power cord at the back of the Dishwasher. Careful handling will prevent damage and malfunction from squashing, kinking or cuts.

Never lift the Dishwasher from the door handle or top plate, doing so may cause damage.

①



Cut straps, lift carton off product and remove the top cap.

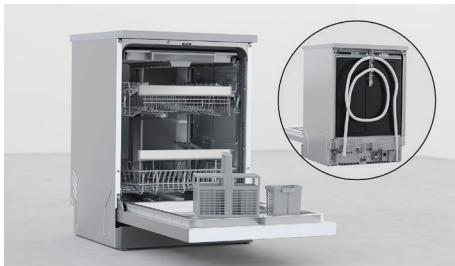
Dispose of packaging responsibly.

②



Lift the product to remove from the base packaging, two people are required.

③



Remove the install kit, any internal packaging, all rubber bands and all tape that are securing cords and hoses.

TOP PANEL REMOVAL (OPTIONAL)

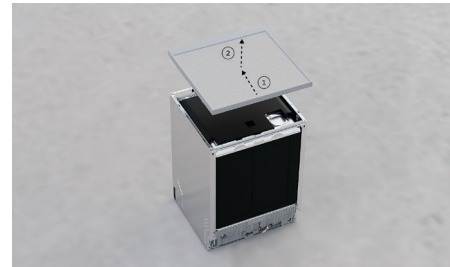
The moisture protection tape must be used when removing the top panel.

①



Unscrew the top panel at the rear either side.

②



Slide forward 20-30mm, then lift upwards. Ensure moisture tape is installed if removing top panel.

CABINETRY PREPARATION

①



Ensure all minimum cabinetry and service specifications have been met and that all services will be accessible after installation.

②



Ensure cabinetry floor is free from bumps and obstructions that could prevent the Dishwasher from sliding into the cavity.

③



Align the supplied moisture protection tape to the cabinetry as shown. Ensure this area is free of debris before carefully applying the tape to the surface.

PUSH INTO POSITION

①



Using a spanner, level the rear legs first followed by the front legs. Clockwise to raise the height, anticlockwise to lower the height.

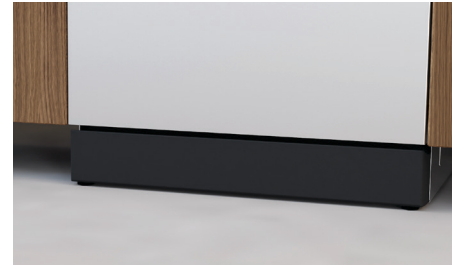
②



Push the product into the position, pulling the hoses through as you push to avoid crushing or twisting them. Take care not to bend the legs.

Push the product from the outside edges to avoid door damage.

③



Check the product sits level within the cavity.

Ø38MM STANDPIPE INSTALLATION

1



Install the drain hose support to the back wall, as close to the underside of the countertop as possible. Refer to 'Plumbing & electrical considerations' for minimum install heights.

2



Pull the hose through the support guide and rest in standpipe. Ensure the drain hose does not extend into water retained in the trap; an air gap is required to prevent waste water from siphoning back into the tub.

3



Ensure the rubber washer is fitted to the coupling before connecting the inlet hose to the tap. Hand-tighten into place. Using a spanner or pliers, turn a further 180° to secure. Avoiding over-tightening. **Do not turn water supply on. The Dishwasher must be powered on for the flood protection feature to be enabled.**

4



Plug product in.

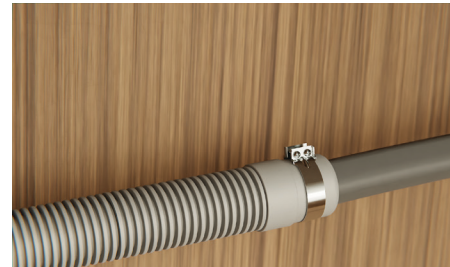
SINK TRAP/WASTE TEE INSTALLATION

1



Install the drain hose support to the back wall, as close to the underside of the countertop as possible. Refer to 'Plumbing & electrical considerations' for minimum install heights.

2



Pull the hose through the drain hose support before threading the wire clip onto the hose and fitting to the supplied hose joiner. Secure using the wire clips. Ensure hose is routed straight to the joiner, remove any excess drain hose.

Do not shorten the inlet hose. Unplug or drill out the waste tee to a minimum of 13mm before securing joiner to sink trap or waste tee.

3



Ensure the rubber washer is fitted to the coupling before connecting the inlet hose to the tap. Hand-tighten into place. Using a spanner or pliers, turn a further 180° to secure. Avoiding over-tightening. **Do not turn water supply on. The Dishwasher must be powered on for the flood protection feature to be enabled.**

4



Plug product in.

FINAL CHECKS

①



Power and water is turned on.

②



All internal packaging and rubber bands are removed.

③



Gaps are consistent.

TEST OPERATION

①



Turn power and water supply on and open the dishwasher.

②



Select **RINSE**.

③



After the **RINSE** cycle has finished, ensure the dishwasher has run and drained correctly. Check for leaks.

INSTALLER CHECKLIST

TO BE COMPLETED BY THE INSTALLER

Installation

- Check all parts are installed correctly and are secure.
- Ensure all packaging, tape and rubberbands have been removed.
- Ensure all clearance gaps have been maintained.
- Ensure door opens and closes freely with no resistance.
- Check the spray arm is in place, mounted correctly and rotates freely.

Plumbing

- Ensure any knock-outs or plugs in drain connection have been drilled out and drain connection has been made.
- The drain hose joiner must not support the weight of excess hose material. Keep drain hose as fully extended as possible to prevent sagging. Any excess length of drain hose should be kept on the dishwasher side of the drain hose support.
- Ensure inlet hose has supplied rubber washer fitted, and that it is tightened.
- If connecting the drain hose to the sink trap, ensure the highloop is a minimum 150mm higher than the drain hose joiner.
- Ensure water supply is turned off until power is connected and turned on. The Dishwasher must be powered on for the flood protection feature to be enabled.

Electrical

- Ensure all electrical tests have been conducted in accordance with local regulations.
- Check electrical outlet is accessible in the adjacent cabinetry.
- If site is left without power after installation is complete, ensure water supply is turned off to prevent flooding.**

FISHERPAYKEL.COM

© Fisher & Paykel Appliances 2025. All rights reserved.

The models shown in this guide may not be available in all markets
and are subject to change at any time.

The product specifications in this guide apply to the specific products and
models described at the date of issue. Under our policy of continuous product
improvement, these specifications may change at any time.

For current details about model and specification availability in your country,
please go to our website or contact your local Fisher & Paykel dealer.

592860F 01.25