

**WINE CABINET & BEVERAGE CENTRE**

---

# PLANNING GUIDE

---

**INTEGRATED WINE CABINET** - RS6009V2RT1 | RS6009V2R1

**INTEGRATED BEVERAGE CENTRE** - RS6009SBLT1 | RS6009SBL1

**FISHER & PAYKEL**

This comprehensive Planning Guide provides you with the framework and tools to achieve your desired design outcome with Fisher & Paykel appliances. In this guide, you will find a range of conceptual, detailed, and dimensional product information to bring your ideas to life and create spaces that truly reflect your vision.

**CONTENTS**

CONCEPT DESIGN	PAGE	DEVELOPED AND DETAILED DESIGN	PAGE	DEVELOPED AND DETAILED DESIGN	PAGE
<b>Design Choices</b>		<b>Data Sheets</b>		<b>Handle Data Sheets</b>	
Wine Cabinet & Beverage Centre	<b>4</b>	Wine Cabinet + Stainless Steel Door	<b>12</b>	Professional Handle	<b>26</b>
<b>Specification Guide</b>		Wine Cabinet + Custom Door Panel	<b>13</b>	Fine Aluminium Handle	<b>27</b>
Integrated Wine Cabinet	<b>6</b>	Beverage Centre + Stainless Steel Door	<b>14</b>	Fine Round Handle	<b>28</b>
Integrated Beverage Centre	<b>8</b>	Beverage Centre + Custom Door Panel	<b>15</b>	Classic Handle	<b>29</b>
Multiple Installation	<b>10</b>	<b>Design Information Planning</b>			
		Hinge Articulation	<b>17</b>		
		Door Opening Clearance	<b>18</b>		
		Custom Panel Preparation - Solid	<b>20</b>		
		Custom Panel Preparation - Window	<b>21</b>		
		Custom Panel Door Panel Options	<b>22</b>		
		<b>Services</b>			
		Power and water connections	<b>24</b>		

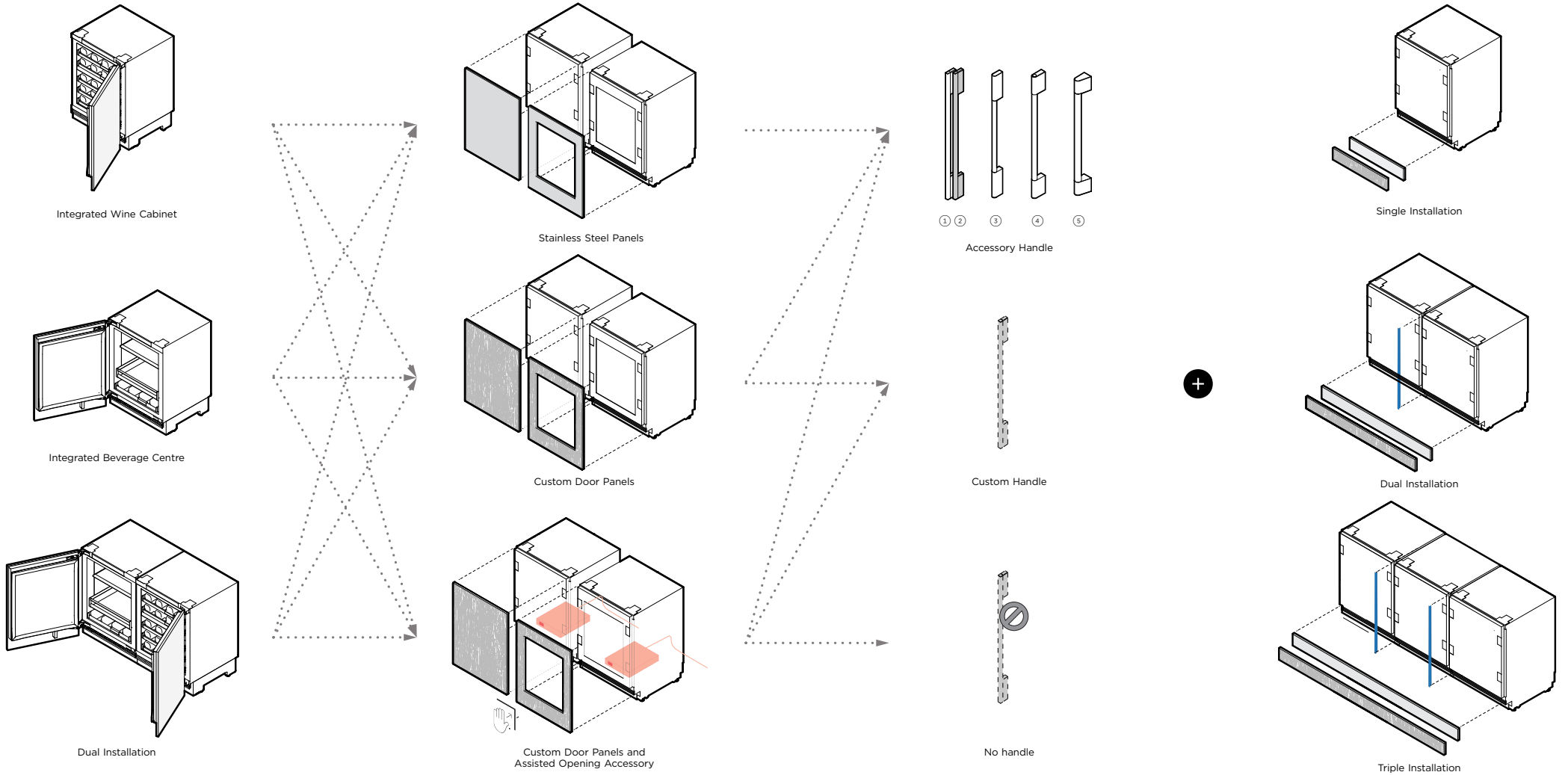
**SUPPORT**

For additional design planning and installation support please contact the Fisher & Paykel design support team.

[designsupport@fisherpaykel.com](mailto:designsupport@fisherpaykel.com)

## DESIGN CHOICES

# DESIGN CHOICES | WINE CABINET & BEVERAGE CENTRE



MODELS	
Left Hinge	Right Hinge
Integrated Wine Cabinet - Glass door	<b>RS6009V2RT1</b>
Integrated Wine Cabinet - Solid door	<b>RS6009V2R1</b>
Integrated Beverage Centre - Glass door	<b>RS6009SBLT1</b>
Integrated Beverage Centre - Solid door	<b>RS6009SBL1</b>

DOOR PANELS		
	Left Hinge	Right Hinge
Solid Stainless Steel Door Panel	<b>RD6009L</b>	<b>RD6009R</b>
Glass Stainless Steel Door Panel	<b>RD6009VL</b>	<b>RD6009VR</b>
Assisted Opening Accessory	<b>OPINI</b>	

HANDLES	
① Fine Aluminium Handle	<b>AHD5RD09</b>
② Fine Black Aluminium Handle	<b>AHD5RD09B</b>
③ Fine Round Handle	<b>AHSRD09</b>
④ Classic Handle	<b>AHCLRD09</b>
⑤ Professional Handle	<b>AHP3RD09</b>

STAINLESS STEEL TOE KICK AND JOINER KIT		
	Toe Kick	Joiner Kit
Single Installation	<b>AKRS06010</b>	<b>Not required</b>
Dual Installation	<b>AKRS12010</b>	<b>AJRS09LR (1x)</b>
Triple Installation	<b>AKRS18010</b>	<b>AJRS09LR (2x)</b>

Note: All models can achieve opposite hinge location using the supplied parts

Note: Custom Door Panels to be manufactured and fitted by cabinet maker

Note: Custom handles to be fitted by cabinet maker

Note: Custom Toe Kick to be manufactured and fitted by cabinet maker



## SPECIFICATION GUIDE



RS6009V2R1 – Solid door with Custom Panel

RS6009V2RT1 – Glass door with Custom Panel

### OVERVIEW

Designed for wine lovers, this under-counter wine cabinet seamlessly fits in any space of the evolving home. Boasting premium oak slide-out shelves and a UV-tempered glass door, it elegantly showcases up to 35 bottles. Featuring dual temperature zones and specialised modes for Red, White, Sparkling, and Cellar wines, this versatile cabinet provides the perfect environment for all wine varieties.

### FEATURES

- ① Integrates into any setting within the home, from the bar to the master suite – the choices are endless
- ② Four specialised wine modes for Red, White, Sparkling, and Cellar wines
- ③ Designed to fit flush, with 4mm gaps and no visible hinges or grilles
- ④ Premium oak slide-out shelves for convenient access and storage
- ⑤ Accommodates up to 35 bottles, providing ample space for a diverse collection
- ⑥ Features two independent temperature zones to cater for different wine varieties
- ⑦ UV-tempered glass door elegantly displays and protects wine
- ⑧ Intuitive interface for easy temperature control and mode selection
- ⑨ Internal LED lighting provides beautiful illumination, showcasing the collection
- ⑩ Wi-Fi enabled for remote temperature control from the SmartHQ™ app

### PRODUCTS

#### RS6009V2RT1 Integrated Wine Cabinet

Glass Door, Panel Ready or Stainless Steel Panel, Right Hinge (All models can achieve opposite hinge location using the supplied parts)

#### RS6009V2R1 Integrated Wine Cabinet

Solid Door, Panel Ready or Stainless Steel Panel, Right Hinge (All models can achieve opposite hinge location using the supplied parts)



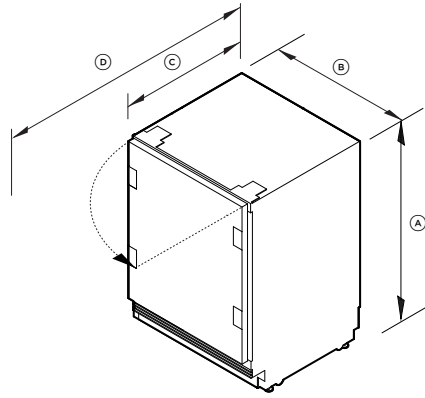
RS6009SBL1 & RS6009V2R1 Side by Side

The models shown in this Planning Guide may not be available in all markets and are subject to change at any time. Product specifications may vary from those shown. This Planning Guide should not be used as installation guidance for any product. Further information is required to safely and correctly install the products featured here. Specific installation guidance will be available soon on our website [fisherpaykel.com](https://fisherpaykel.com)

**SPECIFICATIONS**

<b>Model No.</b>	RS6009V2RT1, RS6009V2R1
<b>Product Dimensions</b>	H 864-900mm W 592mm D 579mm
<b>Electrical</b>	
Supply	220-240 V, 50 Hz
Service	10 A

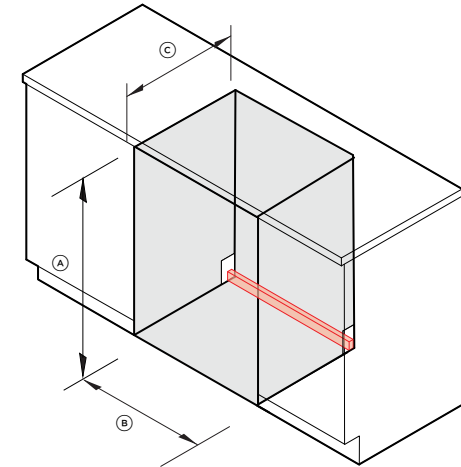
**PRODUCT DIMENSIONS**



	mm
(A) Overall height	864 - 900
(B) Overall width	592
(C) Overall depth*	579
(D) Overall depth with the door open*	1200
Height from floor to bottom of door panel**	15 - 150
Depth of toe kick (excl. front door and toe kick panels)**	50 - 100
Splitline heights achievable (height from floor to top of door panel)	861 - 897

Maximum custom door panel thickness of 19mm  
 \*Excluding door panel and handle  
 \*\*Applies to custom door panels  
 \*\*\* The grille becomes visible at heights over 100mm

**CAVITY DIMENSIONS: STANDARD INSTALLATION**



	mm
(A) Height	864 - 900
(B) Minimum width	600
(C) Minimum overall cavity depth with service to the side	600
(D) Minimum overall cavity depth with service behind	650
<b>Service area</b>	
<b>H37mm x W600mm x D20mm</b>	

The models shown in this Planning Guide may not be available in all markets and are subject to change at any time. Product specifications may vary from those shown. This Planning Guide should not be used as installation guidance for any product. Further information is required to safely and correctly install the products featured here. Specific installation guidance will be available soon on our website [fisherpaykel.com](http://fisherpaykel.com)



RS6009SBL1 – Solid door with Custom Panel



RS6009SBLT1 – Glass door with Custom Panel

### OVERVIEW

Experience the luxury of the Integrated Beverage Centre. Seamlessly blending into any home setting, its adjustable shelves and full-depth wine shelf elegantly house your favourite beverages. With a UV-resistant glass door and soft LED lighting, this Beverage Centre is a blend of style and functionality, offering optimal conditions for all drinks.

### PRODUCTS

**RS6009SBLT1** Integrated Beverage Centre  
Glass Door, Panel Ready or Stainless Steel Panel, Left Hinge  
(All models can achieve opposite hinge location using the supplied parts)

**RS6009SBL1** Integrated Beverage Centre  
Solid Door, Panel Ready or Stainless Steel Panel, Left Hinge  
(All models can achieve opposite hinge location using the supplied parts)

### FEATURES

- ① Integrates into any setting within the home, from the bar to the master suite – the choices are endless
- ② Designed to fit flush, with 4mm gaps and no visible hinges or grilles
- ③ Adjustable temperature control helps to keep drinks at the ideal temperature
- ④ Customisable beverage shelf with adjustable gates ensures contents remain upright and neatly organised
- ⑤ Spacious 129L capacity, with full-depth wine shelf that can accommodate up to seven bottles
- ⑥ Wi-Fi enabled for remote temperature control from the SmartHQ™ app
- ⑦ Internal LED lighting provides beautiful illumination, showcasing the collection
- ⑧ UV-tempered glass door elegantly displays and protects beverages
- ⑨ Intuitive interface for easy temperature control and mode selection



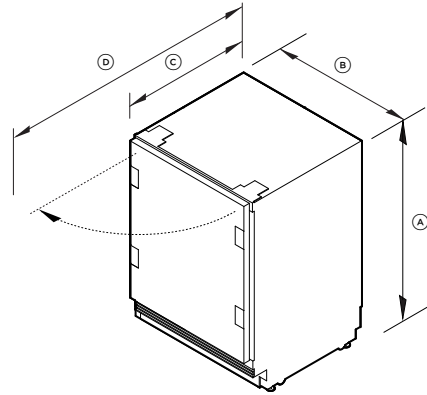
RS6009SBL1 & RS6009V2R1 Side by Side

The models shown in this Planning Guide may not be available in all markets and are subject to change at any time. Product specifications may vary from those shown. This Planning Guide should not be used as installation guidance for any product. Further information is required to safely and correctly install the products featured here. Specific installation guidance will be available soon on our website [fisherpaykel.com](https://fisherpaykel.com)

**SPECIFICATIONS**

<b>Model No.</b>	RS6009SBLT1, RS6009SBL1
<b>Product Dimensions</b>	H 864-900mm W 592mm D 579mm
<b>Electrical</b>	
Supply	220-240 V, 50 Hz
Service	10 A

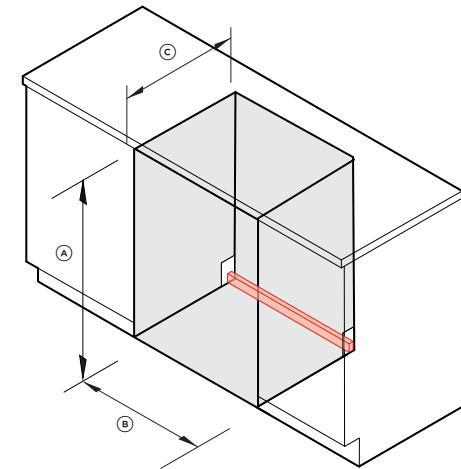
**PRODUCT DIMENSIONS**



	mm
(A) Overall height	864 - 900
(B) Overall width	592
(C) Overall depth*	579
(D) Overall depth with the door open*	1200
Height from floor to bottom of door panel** ***	15 - 150
Depth of toe kick (excl. front door and toe kick panels)**	50 - 100
Splitline heights achievable (height from floor to top of door panel)	861 - 897

Maximum custom door panel thickness of 19mm  
 \*Excluding door panel and handle  
 \*\*Applies to custom door panels  
 \*\*\* The grille becomes visible at heights over 100mm

**CAVITY DIMENSIONS: STANDARD INSTALLATION**



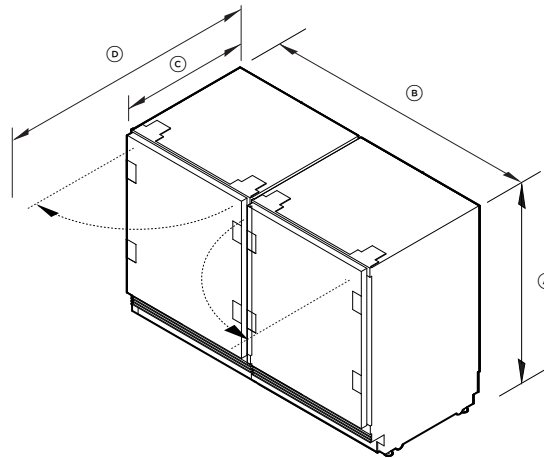
	mm
(A) Height	864 - 900
(B) Minimum width	600
(C) Minimum overall cavity depth with service to the side	600
(D) Minimum overall cavity depth with service behind	650
<b>Service area</b>	
H37mm x W600mm x D20mm	

The models shown in this Planning Guide may not be available in all markets and are subject to change at any time. Product specifications may vary from those shown. This Planning Guide should not be used as installation guidance for any product. Further information is required to safely and correctly install the products featured here. Specific installation guidance will be available soon on our website [fisherpaykel.com](http://fisherpaykel.com)

**SPECIFICATIONS**

<b>Model No.</b>	RS6009V2RT1, RS6009V2R1, RS6009SBLT1, RS6009SBL1
<b>Product Dimensions</b>	H 864-900mm W 592mm D 579mm
<b>Electrical</b>	
Supply	220-240 V, 50 Hz
Service	10 A

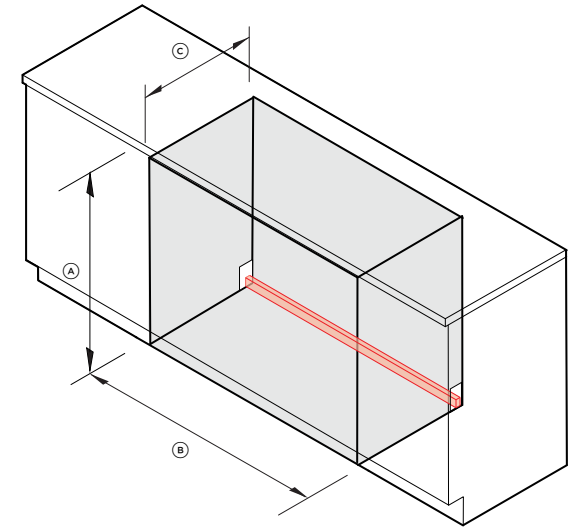
**PRODUCT DIMENSIONS**



	mm
Ⓐ Overall height	864 - 900
Ⓑ Overall width - dual installation	1190
Ⓒ Overall depth*	579
Ⓓ Overall depth with the door open*	1200
Height from floor to bottom of door panel** ***	15-150
Depth of toe kick (excl. front door and toe kick panels)**	50 - 100
Splitline heights achievable (height from floor to top of door panel)	861 - 897

Maximum custom door panel thickness of 19mm  
 \*Excluding door panel and handle  
 \*\*Applies to custom door panels  
 \*\*\*The grille becomes visible at heights over 100mm

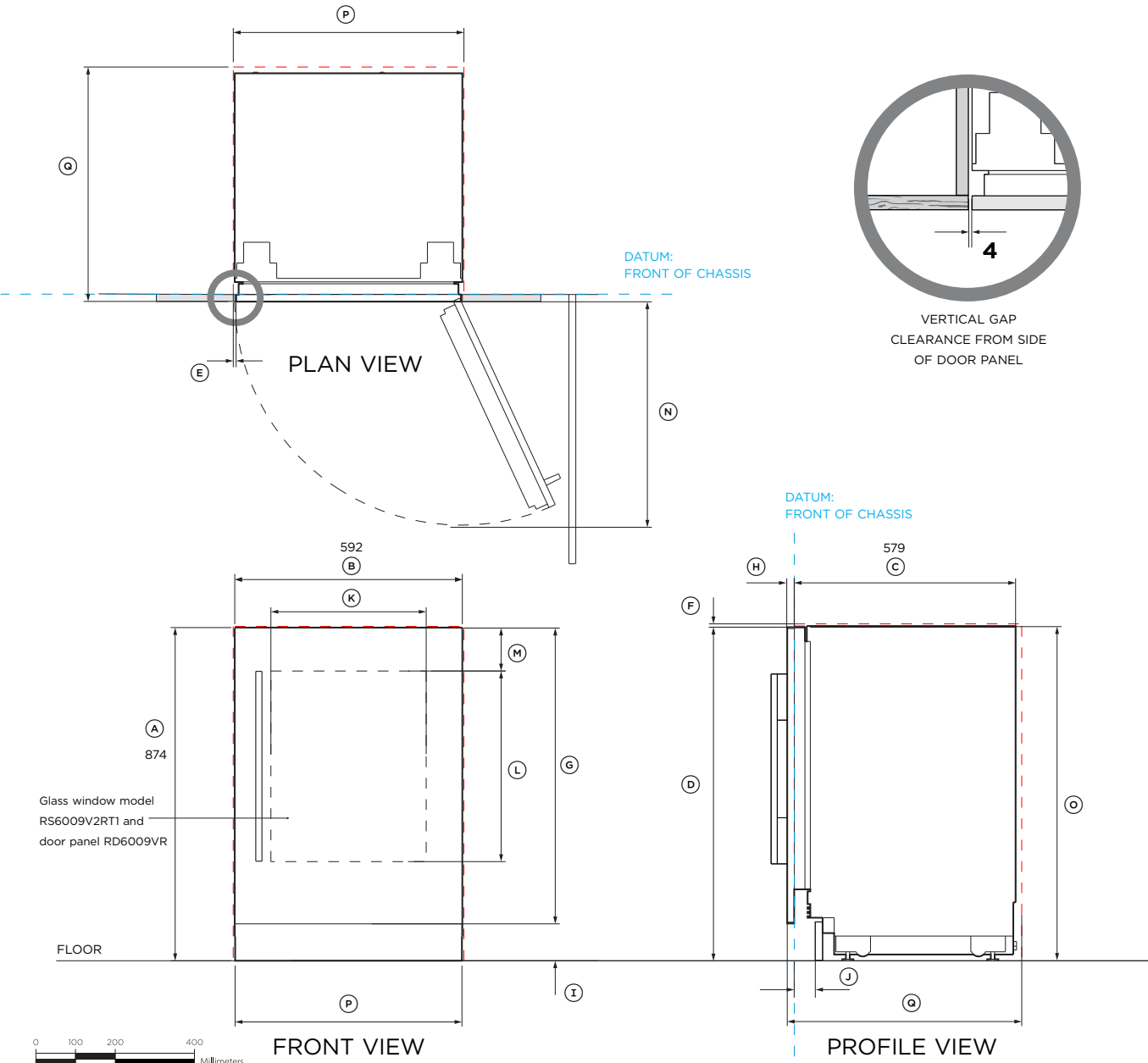
**CAVITY DIMENSIONS: STANDARD INSTALLATION**



	mm
Ⓐ Height	864 - 900
Ⓑ Minimum width dual installation Minimum width triple installation	1200 1800
Ⓒ Minimum overall cavity depth with service to the side	600
Ⓓ Minimum overall cavity depth with service behind	650
Service area dual installation H 37mm x W 1200mm x D 20mm Service area triple installation H 37mm x W 1800mm x D 20mm	

The models shown in this Planning Guide may not be available in all markets and are subject to change at any time. Product specifications may vary from those shown. This Planning Guide should not be used as installation guidance for any product. Further information is required to safely and correctly install the products featured here. Specific installation guidance will be available soon on our website fisherpaykel.com

## DATA SHEETS



**PRODUCT & CAVITY DIMENSIONS**  
**Integrated Wine Cabinets with Stainless Steel Door Panels**

Model No:

- RS6009V2RT1 - Right hinge, Glass window**
- RS6009V2R1 - Right hinge, Solid door**

Shown with

- Stainless Steel Panel with Glass RD6009VR - RS6009V2RT1**
- Stainless Steel Panel Solid RD2435R - RS6009V2R1**

Handle Kit AHD5RD09(B)

Stainless Steel Toe Kick Panel AKRS06010

Note: All models can achieve opposite hinge location using the supplied parts.

Product Dimensions	mm
Ⓐ Overall height of product	874
Ⓑ Overall width of product	592
Ⓒ Overall depth of product (excl. front door panels)	579
Ⓓ Height from top of door panel to floor	871
Ⓔ Minimum cabinetry clearance from side of door panel	4
Ⓕ Minimum cabinetry clearance from top of door panel	3
Ⓖ Height of door panel	771
Ⓜ Depth of door panel	19
Ⓢ Height from floor to bottom door panel	100
Ⓣ Depth of toe kick (excl. front door and toe kick panels)	50-100
Ⓚ Width of glass window	404
Ⓛ Height of glass window	496
Ⓝ Top of door panel to top of cut-out/window	113
Ⓝ Depth of door (90° open, measured from front of cabinetry)	600

Cavity Dimensions	mm
Ⓓ Overall height of cavity	874
Ⓖ Overall width of cavity	600
Ⓞ Minimum overall depth of cavity:	
When services are located outside of cavity (shallow)*	600
When services are located in the neighbouring cavities	610
When services are located at rear of cavity (deep)	650

\*Multiple product installation cavity depth is 610mm, this to allow space for the joiner kit bracket

Notes:

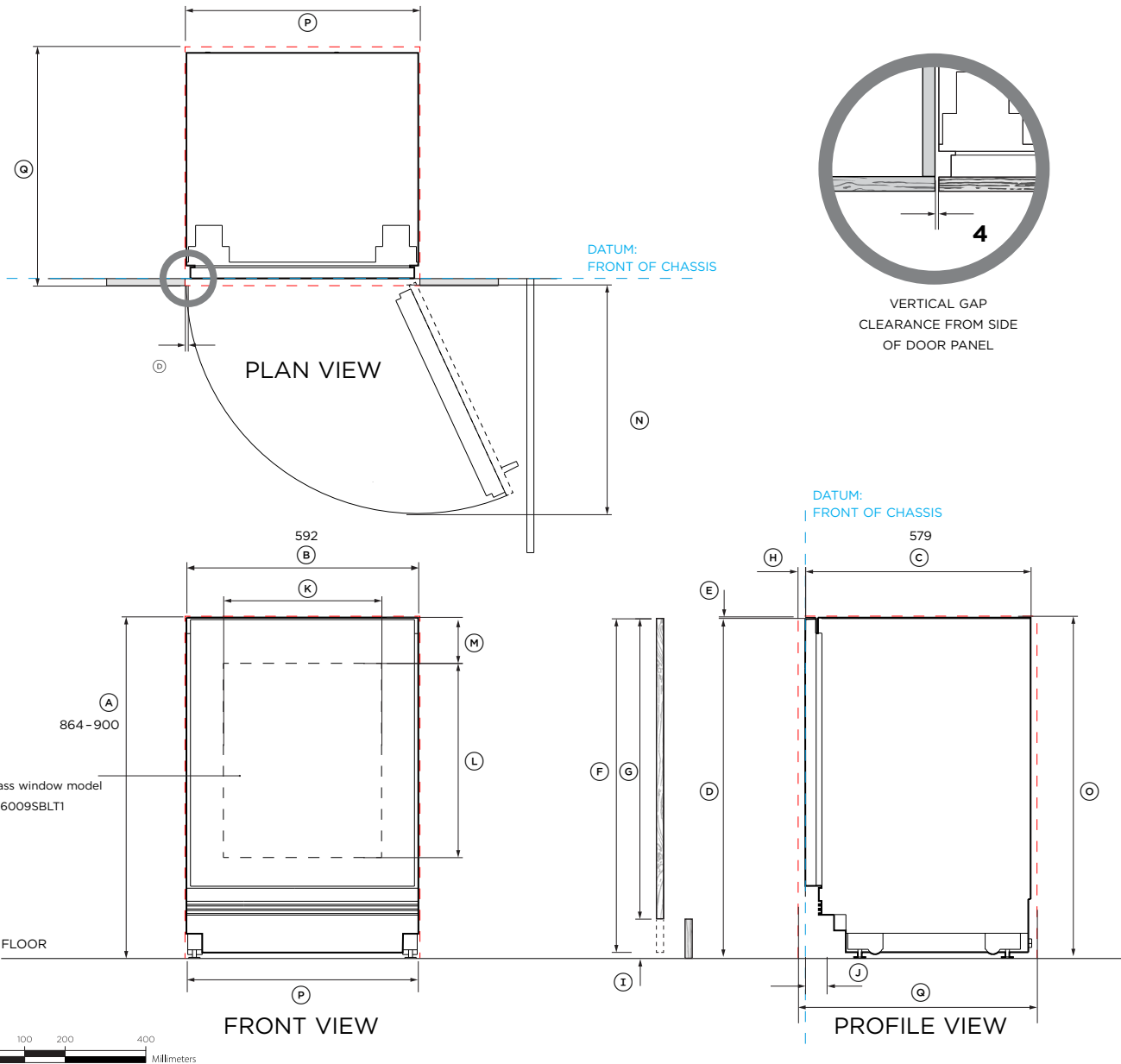
Product shown installed on the floor. Slide into cabinetry position.

Alternatively can be installed on a plinth. Adjust your cavity height accordingly.

INDICATES PRODUCT DATUM -----  
 INDICATES CABINERY CLEARANCES -----

**IMPORTANT NOTE:** Throughout this guide, dimensions may vary by ±2mm. Please read the Installation Guide for detailed information on installing the product. For full installation instructions visit [fisherpaykel.com](http://fisherpaykel.com)





**PRODUCT & CAVITY DIMENSIONS**  
**Integrated Wine Cabinets with Custom Door Panels**

Model No:  
**RS6009V2RT1 - Right hinge**  
**RS6009V2R1 - Right hinge**

Note: All models can achieve opposite hinge location using the supplied parts.

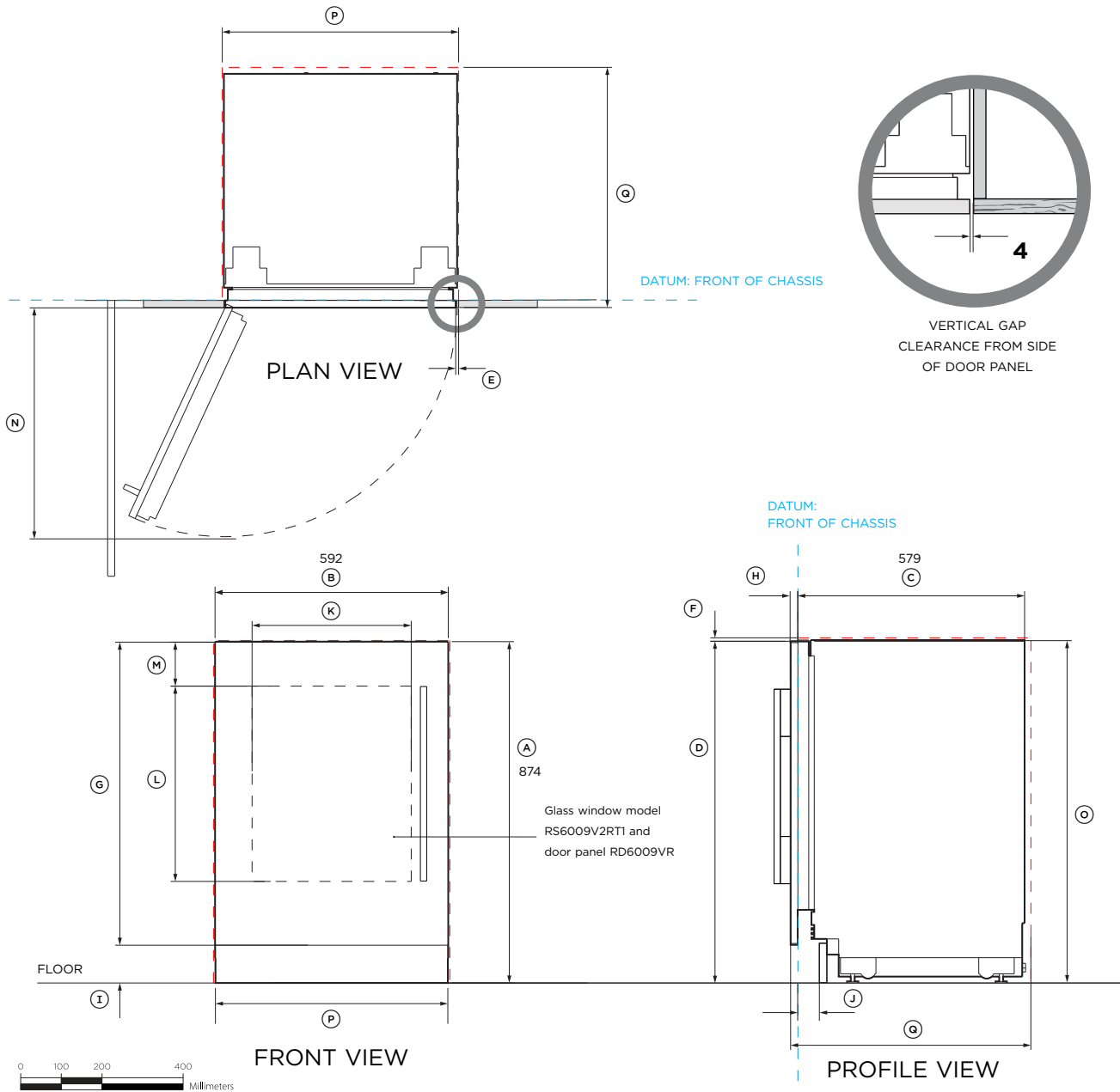
Product Dimensions	mm
A Overall height of product	864 - 900
B Overall width of product	592
C Overall depth of product (excl. front door panels)	579
D Minimum cabinetry clearance from side of door panel	4
E Minimum cabinetry clearance from top of door panel	3
F Maximum height of custom door panel	882
G Minimum height of custom door panel	761
H Depth of custom door panel	16 - 19
I Height from floor to bottom of door panel	15 - 150
J Depth of toe kick (excl. front door and toe kick panels)	50 - 100
K Width of glass window	404
L Height of glass window	496
M Top edge of glass to top of custom door panel	113
N Depth of door (90° open, measured from front of cabinetry)	600

Cavity Dimensions	mm
O Overall height of cavity	864 - 900
P Overall width of cavity	600
Q Minimum overall depth of cavity:	
When services are located outside of cavity (shallow)*	600
When services are located in the cabinet above the cavity	610
When services are located at rear of cavity (deep)	650

\*Multiple product installation cavity depth is 610mm, this to allow space for the joiner kit bracket

INDICATES PRODUCT DATUM -----  
 INDICATES CABINERY CLEARANCES -----

IMPORTANT NOTE: Throughout this guide, dimensions may vary by ±2mm. Please read the Installation Guide for detailed information on installing the product. For full installation instructions visit [fisherpaykel.com](http://fisherpaykel.com)



**PRODUCT & CAVITY DIMENSIONS**  
 Integrated Beverage Centres with Stainless Steel Door Panels

Model No:

- RS6009BLT1 - Right hinge, Glass window
- RS6009BL1 - Right hinge, Solid door

Shown with

- Stainless Steel Panel with Glass RD6009VR - RS6009B2LT1
- Stainless Steel Panel Solid RD6009R - RS6009B2L1

Handle Kit AHD5RD09(B)

Stainless Steel Toe Kick Panel AKRS6009

Note: All models can achieve opposite hinge location using the supplied parts.

Product Dimensions	mm
A Overall height of product	874
B Overall width of product	592
C Overall depth of product (excl. front door panels)	579
D Height from top of door panel to floor	871
E Minimum cabinetry clearance from side of door panel	4
F Minimum cabinetry clearance from top of door panel	3
G Height of door panel	771
H Depth of door panel	19
I Height from floor to bottom door panel	100
J Depth of toe kick (excl. front door and toe kick panels)	50-100
K Width of glass window	404
L Height of glass window	496
M Top of door panel to top of cut-out/window	113
N Depth of door (90° open, measured from front of cabinetry)	600

Cavity Dimensions	mm
O Overall height of cavity	874
P Overall width of cavity	600
Q Minimum overall depth of cavity:	
When services are located outside of cavity (shallow)*	600
When services are located in the neighbouring cavities	610
When services are located at rear of cavity (deep)	650

\*Multiple product installation cavity depth is 610mm, this to allow space for the joiner kit bracket

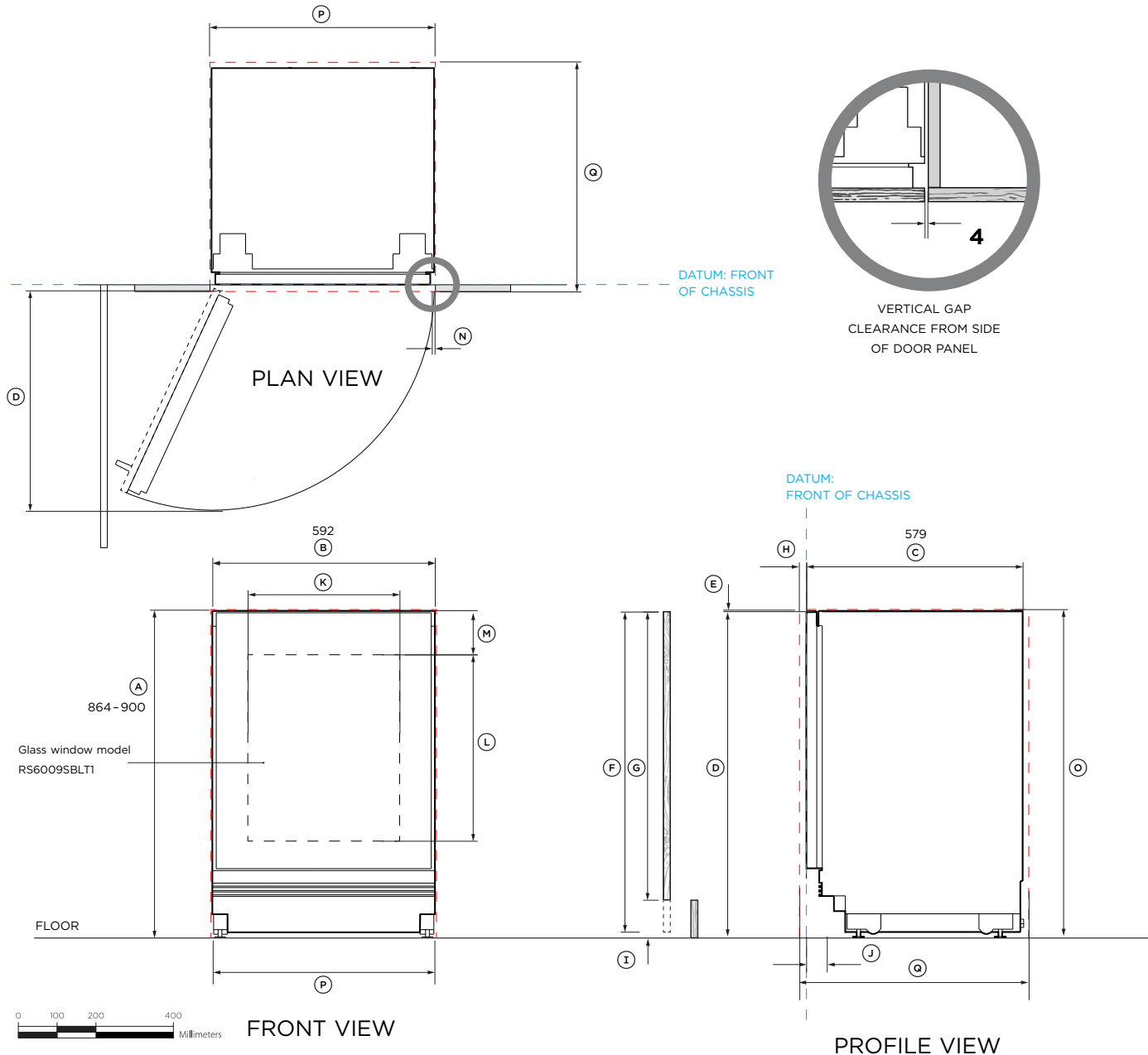
Notes:

Product shown installed on the floor. Slide into cabinetry position.

Alternatively can be installed on a plinth. Adjust your cavity height accordingly.

INDICATES PRODUCT DATUM -----  
 INDICATES CABINERY CLEARANCES -----

IMPORTANT NOTE: Throughout this guide, dimensions may vary by ±2mm. Please read the Installation Guide for detailed information on installing the product. For full installation instructions visit fisherpaykel.com



**PRODUCT & CAVITY DIMENSIONS**  
**Integrated Beverage Centres with Custom Door Panels**

Model No:  
**RS6009BLT1 - Right hinge**  
**RS6009BL1 - Right hinge**

Note: All models can achieve opposite hinge location using the supplied parts.

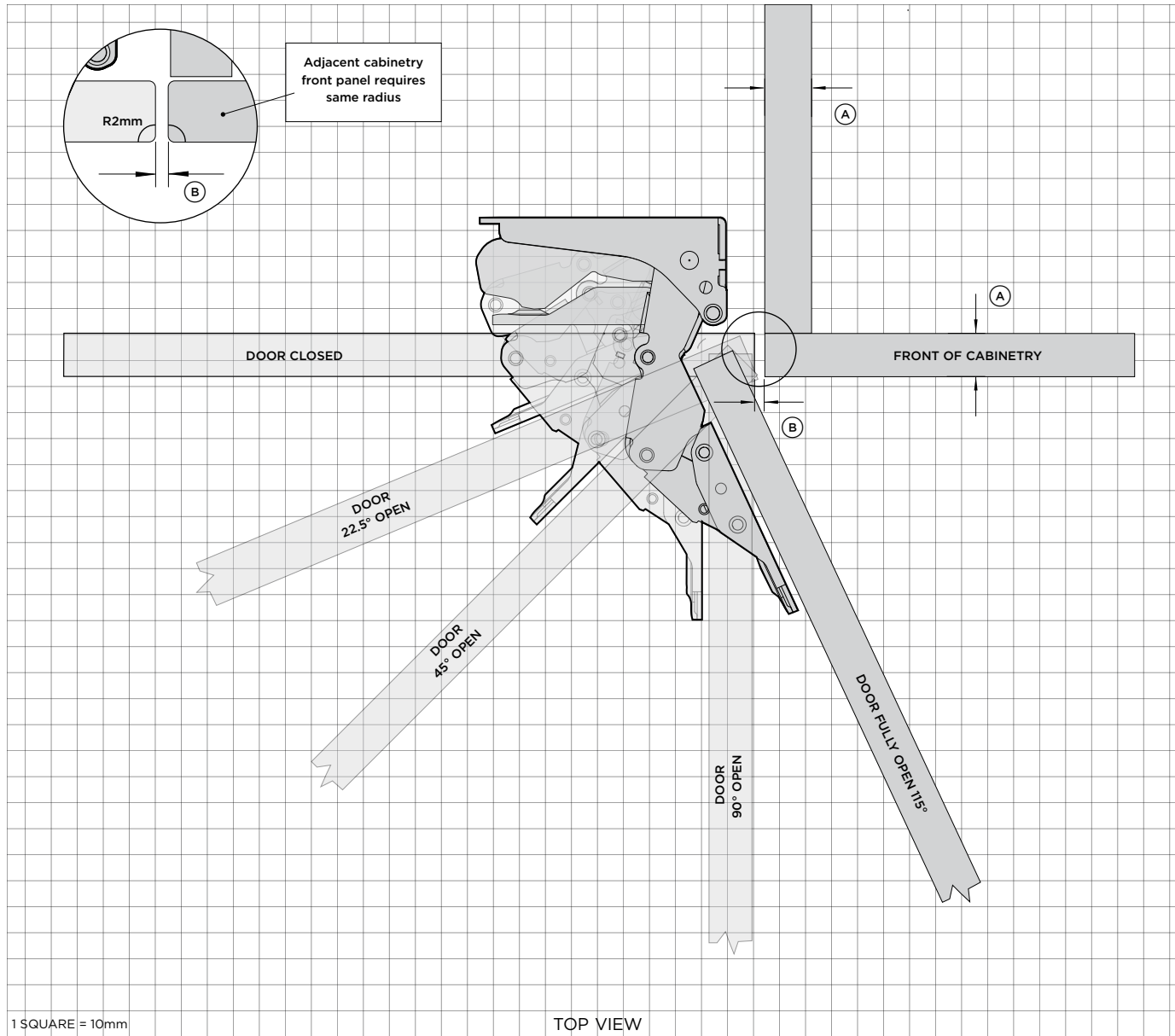
Product Dimensions	mm
A Overall height of product	864 - 900
B Overall width of product	592
C Overall depth of product (excl. front door panels)	579
D Minimum cabinetry clearance from side of door panel	4
E Minimum cabinetry clearance from top of door panel	3
F Maximum height of custom door panel	882
G Minimum height of custom door panel	761
H Depth of custom door panel	16 - 19
I Height from floor to bottom of door panel	15 - 150
J Depth of toe kick (excl. front door and toe kick panels)	50 - 100
K Width of glass window	404
L Height of glass window	496
M Top edge of glass to top of custom door panel	113
N Depth of door (90° open, measured from front of cabinetry)	600
Cavity Dimensions	mm
O Overall height of cavity	864 - 900
P Overall width of cavity	600
Q Minimum overall depth of cavity:	
When services are located outside of cavity (shallow)*	600
When services are located in the cabinet above the cavity	610
When services are located at rear of cavity (deep)	650

\*Multiple product installation cavity depth is 610mm, this to allow space for the joiner kit bracket

INDICATES PRODUCT DATUM -----  
 INDICATES CABINETY CLEARANCES -----

IMPORTANT NOTE: Throughout this guide, dimensions may vary by ±2mm. Please read the Installation Guide for detailed information on installing the product. For full installation instructions visit [fisherpaykel.com](http://fisherpaykel.com)

## DESIGN INFORMATION PLANNING



**DOOR HINGE - HETTICH K08**

Left hand hinge models are a mirrored version of shown.

**CUSTOM FRONT PANEL**

**A** Front panel thickness: 16mm-19mm  
Drawing shown with 18mm panels.

**B** Gap between custom panel and adjacent cabinetry: 4mm

**RADIUS REQUIREMENTS**

**Gap:** Minimum 4mm

**Panel thickness 16mm-19mm:** Requires minimum R2mm

**Panel thickness 20mm:** Requires minimum R5mm

Minimum radius prevents clashes with adjacent cabinetry. Panels thicker than 20mm need a larger gap and radius, which might expose internal components.

**WEIGHT LIMIT**

**Custom solid door panel:** Max 5.6kg

**Custom window door panel:** Max 3.7kg

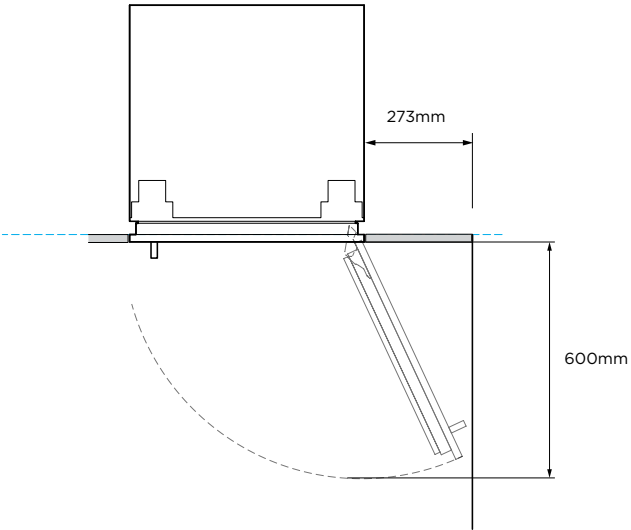
Note: Door weight's includes weight of handle.

**SUPPORT**

For additional design planning and installation support please contact the Fisher & Paykel design support team.

[designsupport@fisherpaykel.com](mailto:designsupport@fisherpaykel.com)

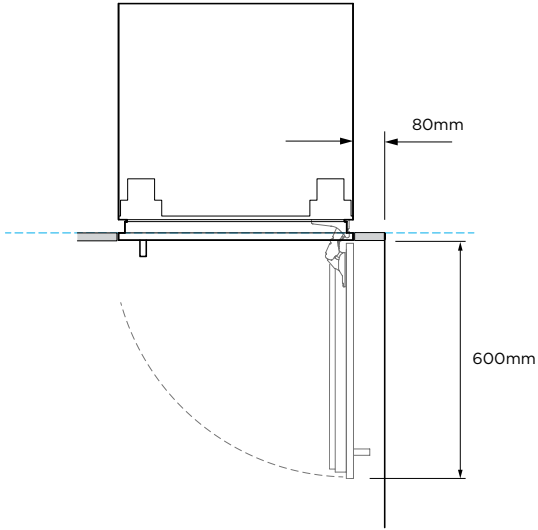
The models shown in this Planning Guide may not be available in all markets and are subject to change at any time. Product specifications may vary from those shown. This Planning Guide should not be used as installation guidance for any product. Further information is required to safely and correctly install the products featured here. Specific installation guidance will be available soon on our website [fisherpaykel.com](http://fisherpaykel.com)



**FULL INTERNAL ACCESS**

115° door opening – full internal access

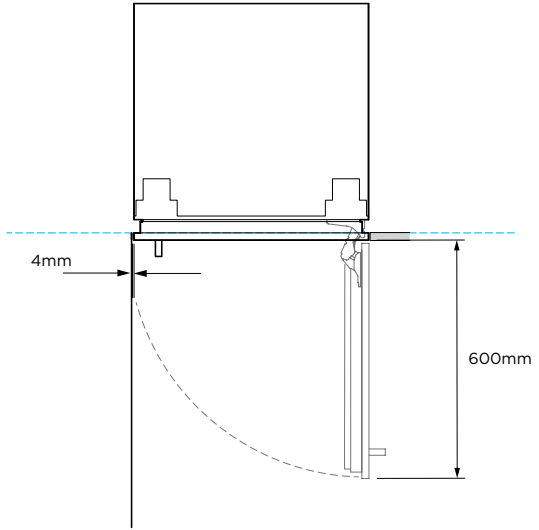
Minimum dimensions shown are for the contemporary handle kit AHD5RD09(B). Custom door panel and handle details need to be taken into account



**REDUCED INTERNAL ACCESS**

Use hinge limiting pin to restrict door opening to 90° where necessary

Minimum dimensions shown are for the contemporary handle kit AHD5RD09(B). Custom door panel and handle details need to be taken into account



**REDUCED INTERNAL ACCESS**

Use hinge limiting pin to restrict door opening to 90° where necessary

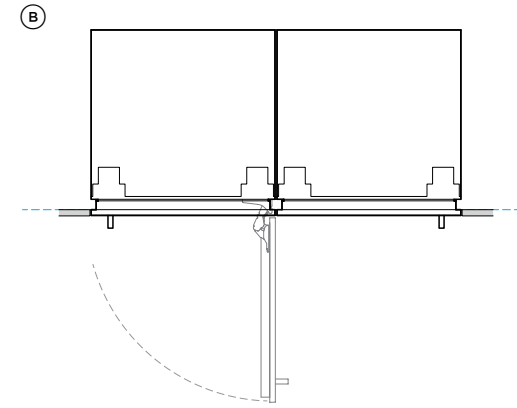
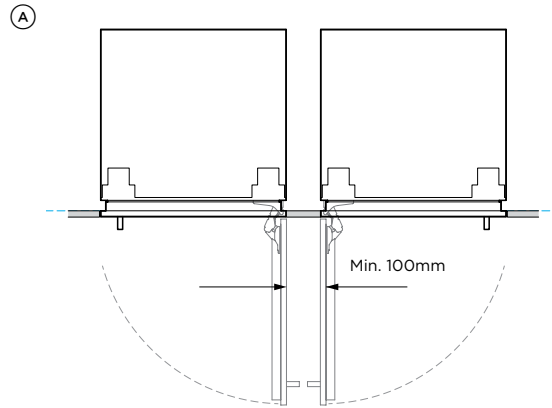
Minimum dimensions shown are for the contemporary handle kit AHD5RD09(B). Custom door panel and handle details need to be taken into account

The models shown in this Planning Guide may not be available in all markets and are subject to change at any time. Product specifications may vary from those shown. This Planning Guide should not be used as installation guidance for any product. Further information is required to safely and correctly install the products featured here. Specific installation guidance will be available soon on our website [fisherpaykel.com](http://fisherpaykel.com)

**HINGE TO HINGE**

- Ⓐ Both doors open at the same time - requires space between models
- Ⓑ Only allows a single door open at a time

Minimum dimensions shown are for the contemporary handle kit AHD5RD09(B). Custom door panel and handle details need to be taken into account.



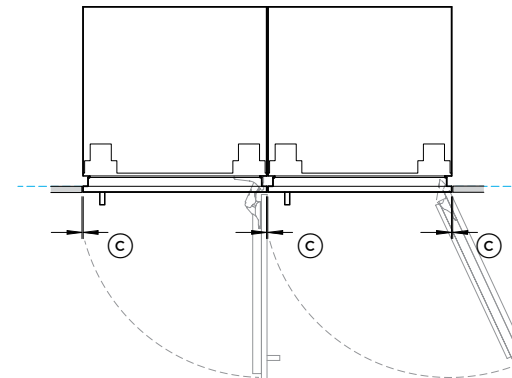
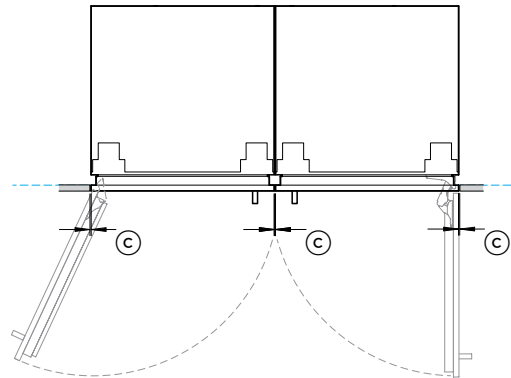
**ADDITIONAL NOTES**

Use hinge limiting pin to restrict door opening to 90° where necessary.

Minimum dimensions shown are for the contemporary handle kit AHD5RD09(B). Custom door panel and handle details need to be taken into account.

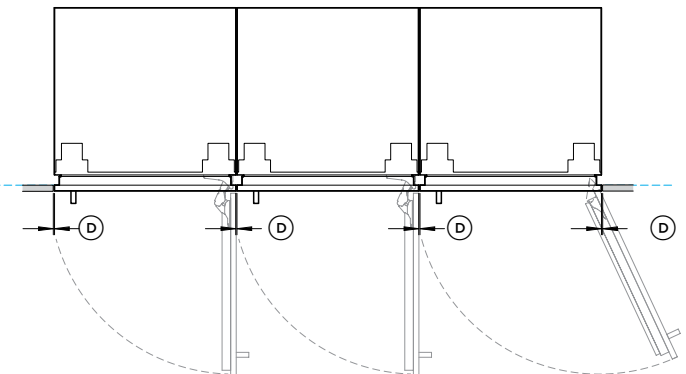
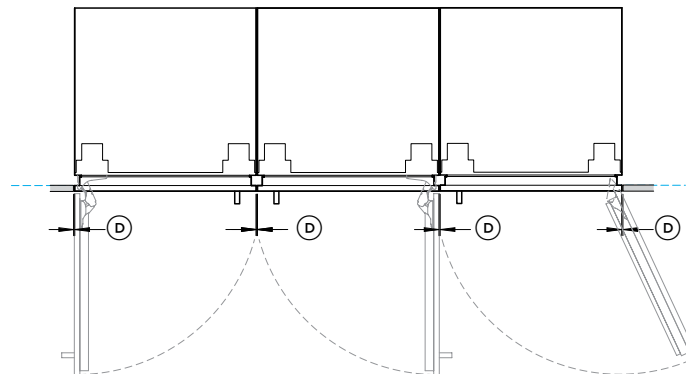
**DUAL INSTALLATION**

- Ⓒ Stainless steel door panels (gaps equalised during installation) - **5mm**
- Ⓓ Custom door panels (width of custom door panel increased to maintain 4mm gap across multiple products) - **4mm**

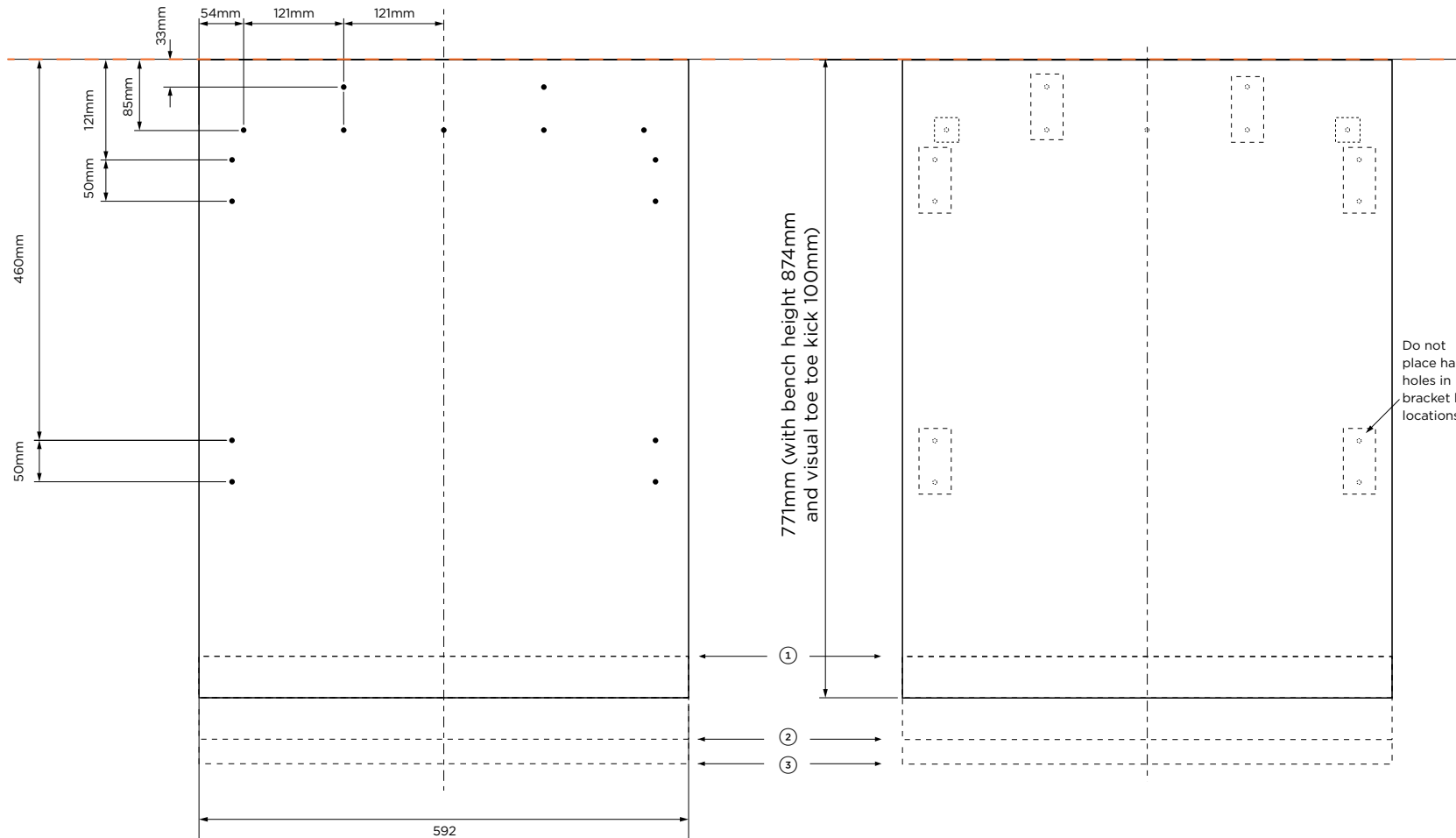


**TRIPLE INSTALLATION**

- Ⓒ Stainless steel door panels (gaps equalised during installation) - **6mm**
- Ⓓ Custom door panels (width of custom door panel increased to maintain 4mm gap across multiple products) - **4mm**



The models shown in this Planning Guide may not be available in all markets and are subject to change at any time. Product specifications may vary from those shown. This Planning Guide should not be used as installation guidance for any product. Further information is required to safely and correctly install the products featured here. Specific installation guidance will be available soon on our website [fisherpaykel.com](http://fisherpaykel.com)



Model No:  
**RS6009V2R1**  
**RS6009BL1**

**VISUAL TOE KICK HEIGHT FROM FLOOR TO BOTTOM OF DOOR PANEL**

- ① Visual toe kick height 150mm custom door panel 50mm shorter
- ② Visual toe kick height 50mm custom door panel 50mm longer
- ③ Visual toe kick height 15mm custom door panel 85mm mm longer

**DATUM TOP OF CUSTOM DOOR PANEL**

Allow 3 mm gap between the top of the custom door panel and the bench top

**BACK OF CUSTOM DOOR PANEL BRACKET HOLE LOCATIONS**

Ø 2.5mm pilot holes,  
all holes 15mm deep  
Do not penetrate front face

**FRONT OF CUSTOM DOOR PANEL HANDLE HOLE LOCATIONS**

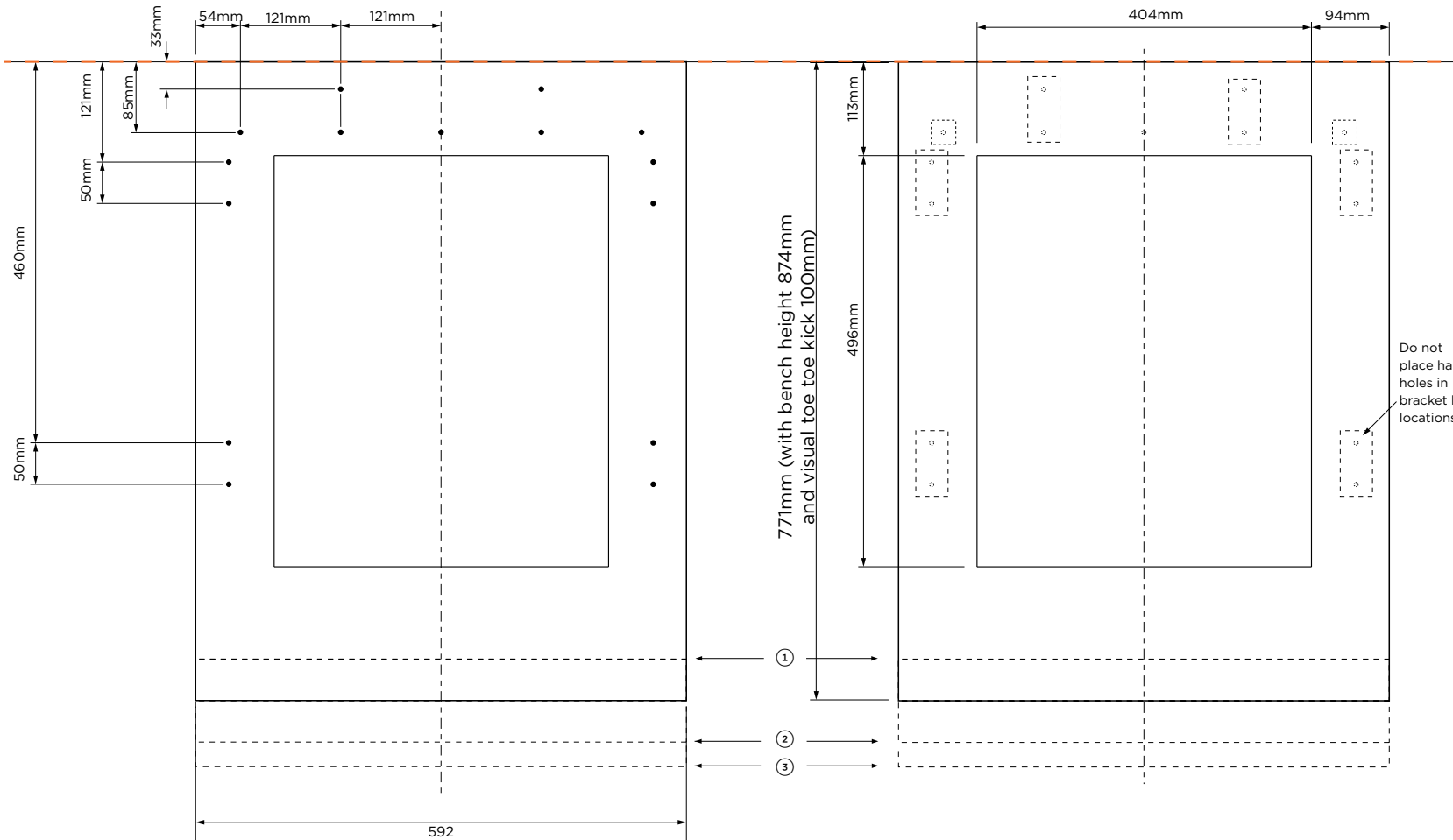
All Fisher & Paykel handle holes Ø 6mm.  
Do not place handle holes in bracket hole locations.

**CUSTOM PANEL WEIGHT**

Maximum custom solid door panel weight is 5.6kg

The models shown in this Planning Guide may not be available in all markets and are subject to change at any time. Product specifications may vary from those shown. This Planning Guide should not be used as installation guidance for any product. Further information is required to safely and correctly install the products featured here. Specific installation guidance will be available soon on our website [fisherpaykel.com](http://fisherpaykel.com)





Model No:  
**RS6009V2RT1  
RS6009BLT1**

**VISUAL TOE KICK HEIGHT FROM FLOOR TO BOTTOM OF DOOR PANEL**

- ① Visual toe kick height 150mm custom door panel 50mm shorter
- ② Visual toe kick height 50mm custom door panel 50mm longer
- ③ Visual toe kick height 15mm custom door panel 85mm

**DATUM TOP OF CUSTOM DOOR PANEL**

Allow 3 mm gap between the top of the custom door panel and the bench top

**BACK OF CUSTOM DOOR PANEL BRACKET HOLE LOCATIONS**

Ø 2.5mm pilot holes, all holes 15mm deep  
Do not penetrate front face

**FRONT OF CUSTOM DOOR PANEL HANDLE HOLE LOCATIONS**

All Fisher & Paykel handle holes Ø 6mm.  
Do not place handle holes in bracket hole locations.

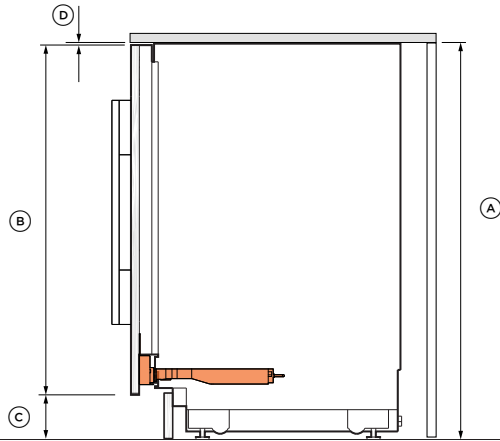
**CUSTOM PANEL WEIGHT**

Maximum custom window door panel weight is 3.7kg

The models shown in this Planning Guide may not be available in all markets and are subject to change at any time. Product specifications may vary from those shown. This Planning Guide should not be used as installation guidance for any product. Further information is required to safely and correctly install the products featured here. Specific installation guidance will be available soon on our website [fisherpaykel.com](http://fisherpaykel.com)

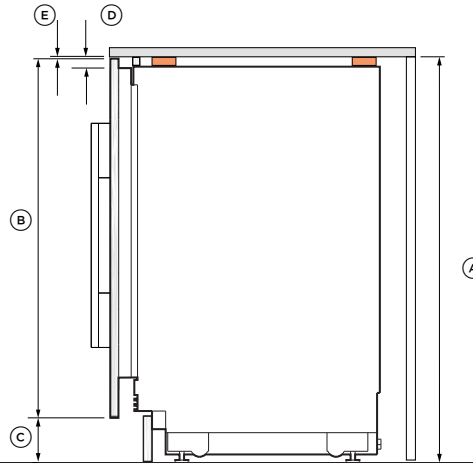
**CUSTOM DOOR PANEL**

Assisted Opening Accessories



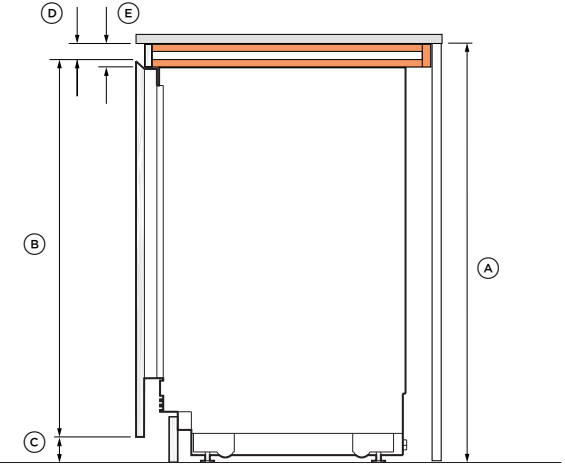
**CUSTOM DOOR PANEL**

Sub-structure  
Multiple installation - ensuring benchtop support



**CUSTOM DOOR PANEL**

Recessed handle



Product Dimensions	mm
Ⓐ Cavity height	864 - 900
Ⓑ Maximum door panel height	882
Minimum door panel height	761
Ⓒ Visual toe kick height	15 - 150
Ⓓ Gap between door panel and bench top	3

Assisted Opening Accessories Planning Guide available soon

Product Dimensions	mm
Ⓐ Cavity height*	888 - 918
Ⓑ Maximum door panel height*	900
Minimum door panel height*	785
Ⓒ Visual toe kick height	15 - 150
Ⓓ Common sub-structure height	18
Ⓔ Gap between door panel and bench top	3

\*With a 18mm sub-structure  
\*\*Adjust door panel template accordingly

Refer to 'Custom Panel Preparation' for Panel Templates

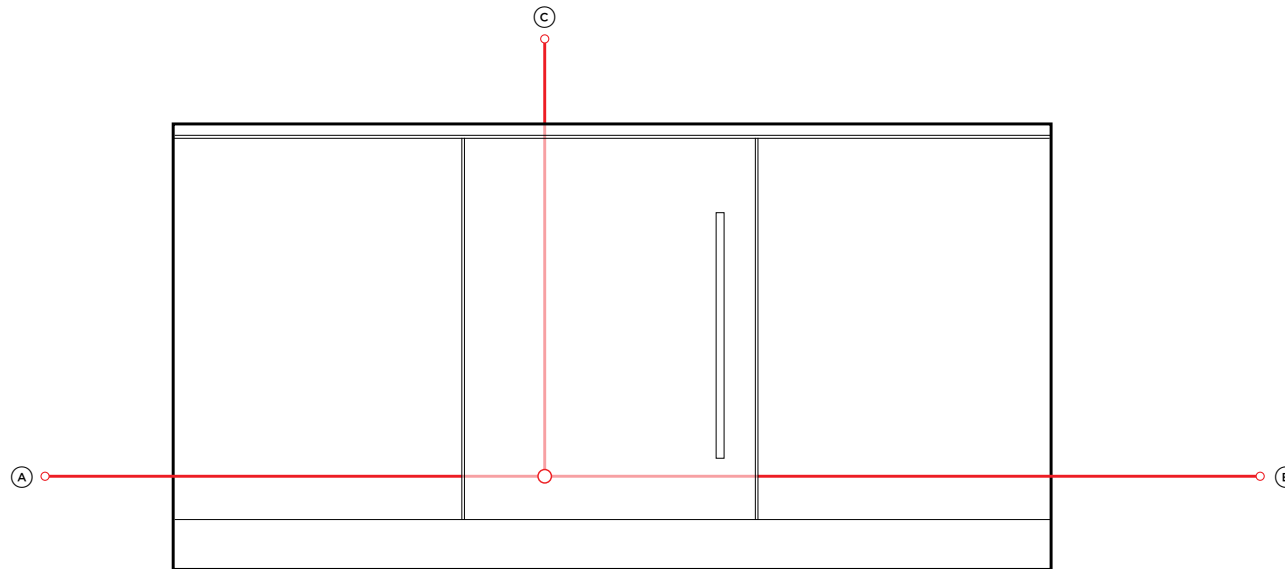
Product Dimensions	mm
Ⓐ Cavity height*	909 - 945
Ⓑ Maximum door panel height* **	927
Minimum door panel height* **	812
Ⓒ Visual toe kick height	15 - 150
Ⓓ Clearance between top door and benchtop	35
Ⓔ Sub-structure	45

\*With a 45mm sub-structure  
\*\*Adjust door panel template accordingly

Bench top overhang not recommended for recessed handle

The models shown in this Planning Guide may not be available in all markets and are subject to change at any time. Product specifications may vary from those shown. This Planning Guide should not be used as installation guidance for any product. Further information is required to safely and correctly install the products featured here. Specific installation guidance will be available soon on our website fisherpaykel.com

## SERVICES



**POWER AND WATER CONNECTIONS**  
**Integrated Wine Cabinets &**  
**Integrated Beverage Centres**

Model No:  
**RS6009V2RT1, RS6009V2R1**  
**Integrated Wine Cabinets**  
**RS6009BLT1, RS6009BL1**  
**Integrated Beverage Centres**

All models can achieve opposite hinge location using the supplied parts.  
 Please refer to Installation Guide for details.

**Electrical Specifications**

Supply	220-240 V, 50 Hz
Service	10 A

NOTE: Recommended that services are routed to the adjacent cabinet.

**Cord Lengths Electrical**

	inch	mm
Ⓐ Power cord length (from the left edge of the product)*	70 14/16	1800
Ⓑ Power cord length (from the right edge of the product)*	78 12/16	2000
Ⓒ Power cord length (from the top of the product)*	55 2/16	1400

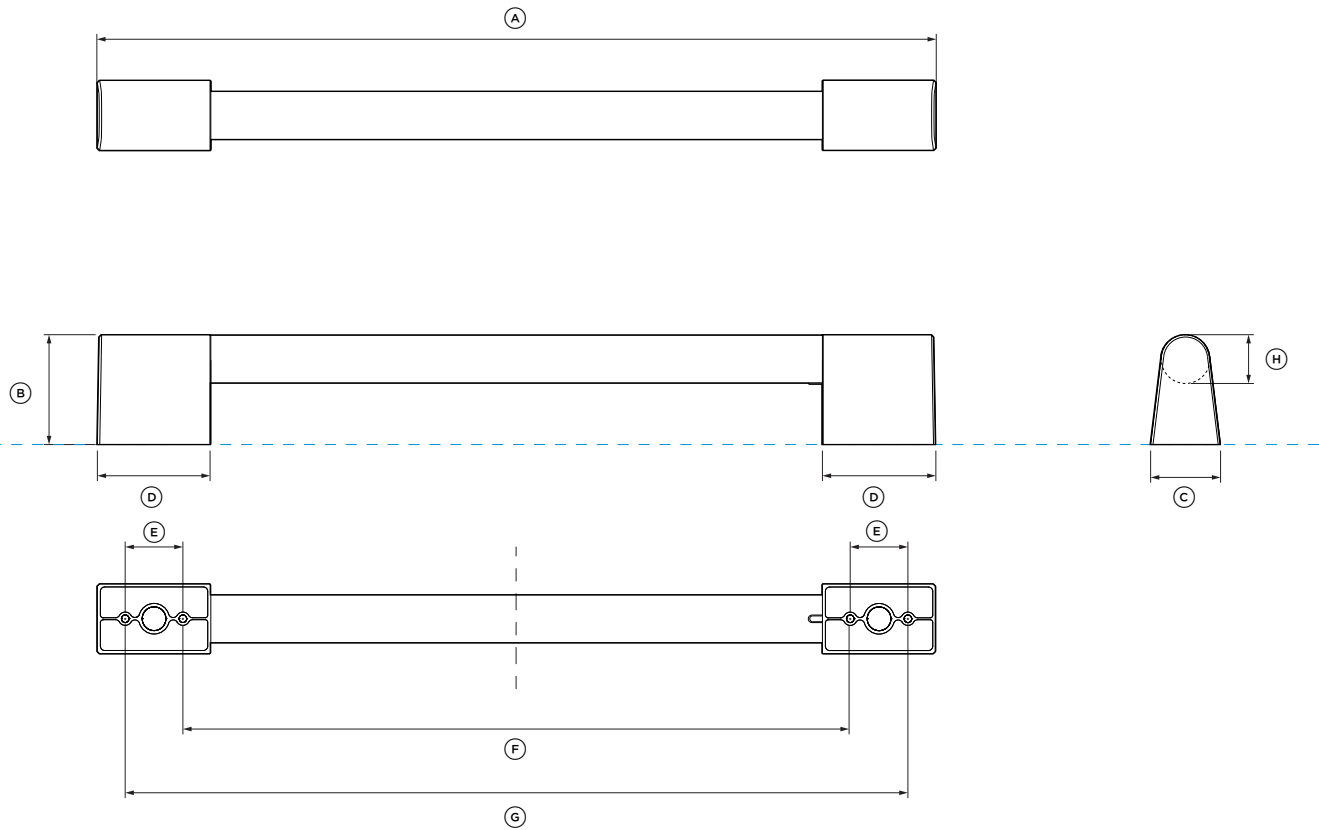
\* Excluding plug.

Recommended that services are located in neighbouring cabinets.

INDICATES PRODUCT DATUM -----  
 INDICATES CABINETRY CLEARANCES -----

IMPORTANT NOTE: Throughout this guide, dimensions may vary by ±2mm. Please read the Installation Guide for detailed information on installing the product. For full installation instructions visit [fisherpaykel.com](http://fisherpaykel.com)

## HANDLE DATA SHEETS



**HANDLE DATA SHEET**  
**For all Integrated Wine Cabinet &**  
**Integrated Beverage Centre models**

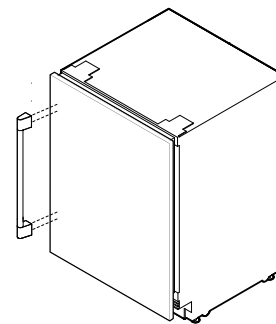
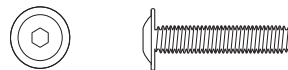
Model No:  
**Professional Handle AHP3RD09**

For Models:  
**RS6009V2RT1, RS6009V2R1**  
**Integrated Wine Cabinets**  
**RS6009SBLT1, RS6009SBL1**  
**Integrated Beverage Centres**

Handle Dimensions	mm
Ⓐ Overall length of handle	442
Ⓑ Overall height of handle	58
Ⓒ Overall width of handle	37
Ⓓ Length of off-stand	60
Ⓔ Distance between attachment holes	30
Ⓕ Distance between inner attachment holes	353
Ⓖ Distance between outer attachment holes	413
Ⓗ Thickness of handle rail	25

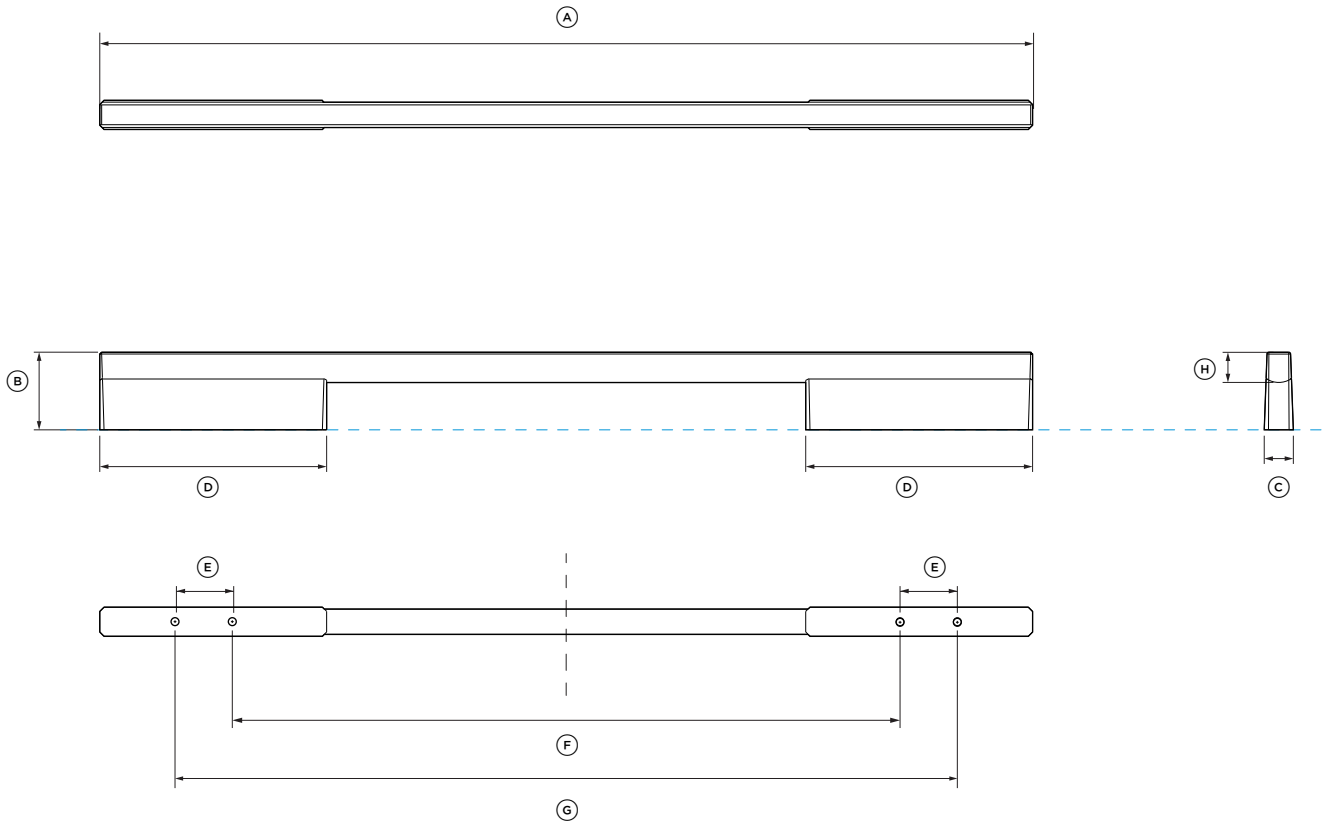
**SCREWS**

M5 X 12" Pan Head Socket Screw (4 per handle).  
 Suits standard 19mm panel. Thicker panels may require counterboring or longer screws.



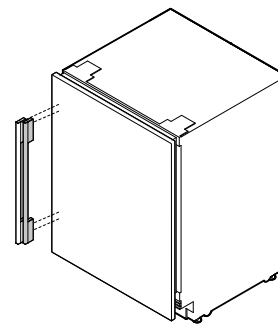
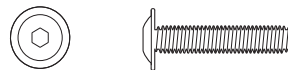
INDICATES PRODUCT DATUM -----  
 INDICATES CABINETRY CLEARANCES -----

**IMPORTANT NOTE:** Throughout this guide, dimensions may vary by ±2mm. Please read the Installation Guide for detailed information on installing the product. For full installation instructions visit [fisherpaykel.com](http://fisherpaykel.com)



**SCREWS**

M5 X 12" Pan Head Socket Screw (4 per handle).  
Suits standard 19mm panel. Thicker panels may require counterboring or longer screws.



**HANDLE DATA SHEET**  
For all Integrated Wine Cabinet & Integrated Beverage Centre models

Model No:

**Fine Aluminium Handle AHD5RD09**  
**Fine Black Aluminium Handle AHD5RD09B**

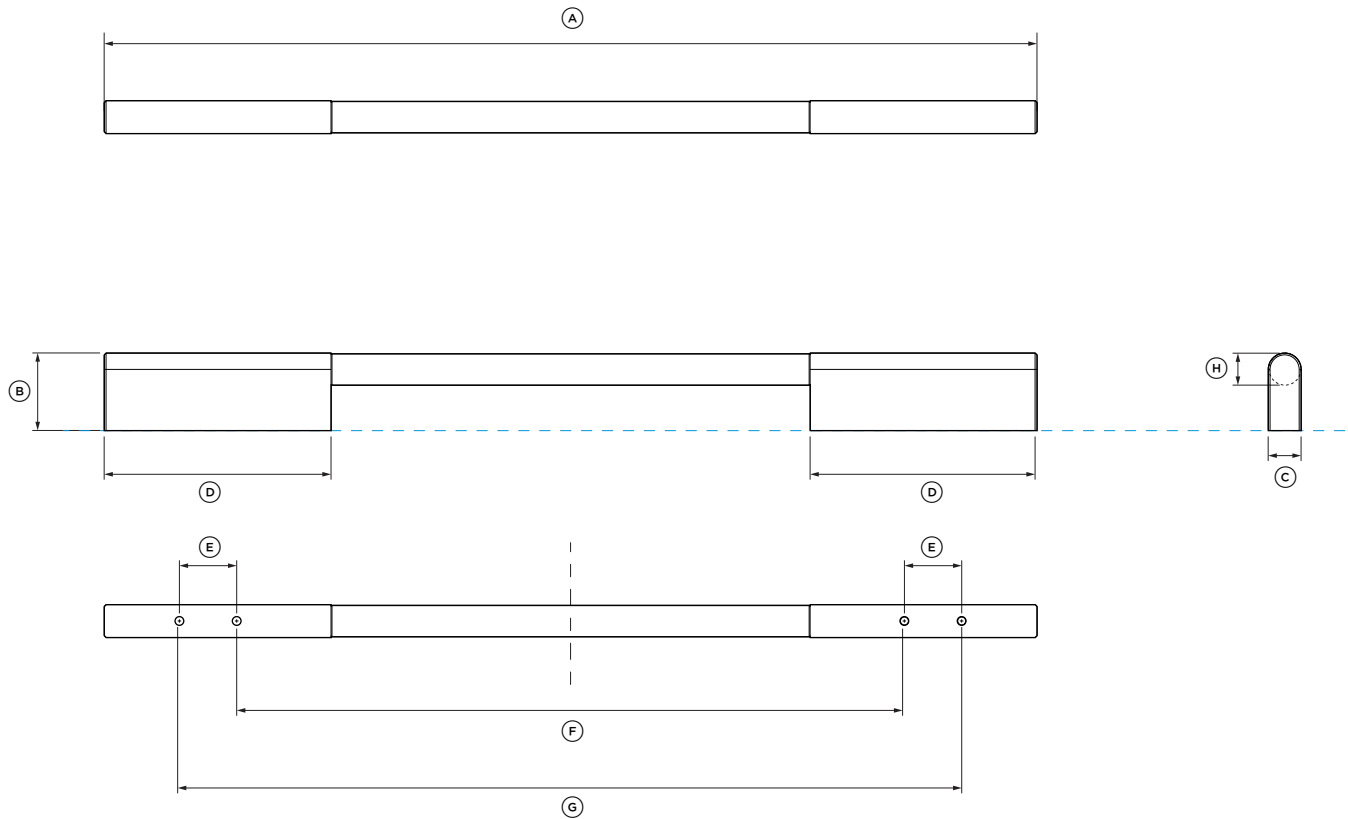
For Models:

**RS6009V2RT1, RS6009V2R1**  
**Integrated Wine Cabinets**  
**RS6009SBLT1, RS6009SBL1**  
**Integrated Beverage Centres**

Handle Dimensions	mm
A Overall length of handle	493
B Overall height of handle	41
C Overall width of handle	15
D Length of off-stand	120
E Distance between attachment holes	30
F Distance between inner attachment holes	353
G Distance between outer attachment holes	413
H Thickness of handle rail	16

INDICATES PRODUCT DATUM -----  
INDICATES CABINETRY CLEARANCES -----

IMPORTANT NOTE: Throughout this guide, dimensions may vary by ±2mm. Please read the Installation Guide for detailed information on installing the product. For full installation instructions visit [fisherpaykel.com](http://fisherpaykel.com)



**HANDLE DATA SHEET**  
For all Integrated Wine Cabinet & Integrated Beverage Centre models

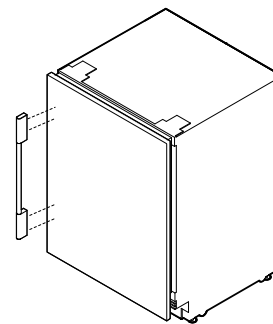
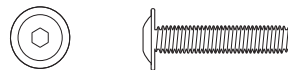
Model No:  
**Fine Round Handle AHSRD09**

For Models:  
**RS6009V2RT1, RS6009V2R1**  
Integrated Wine Cabinets  
**RS6009SBLT1, RS6009SBL1**  
Integrated Beverage Centres

Handle Dimensions	mm
Ⓐ Overall length of handle	493
Ⓑ Overall height of handle	41
Ⓒ Overall width of handle	17
Ⓓ Length of off-stand	120
Ⓔ Distance between attachment holes	30
Ⓕ Distance between inner attachment holes	353
Ⓖ Distance between outer attachment holes	413
Ⓗ Thickness of handle rail	17

**SCREWS**

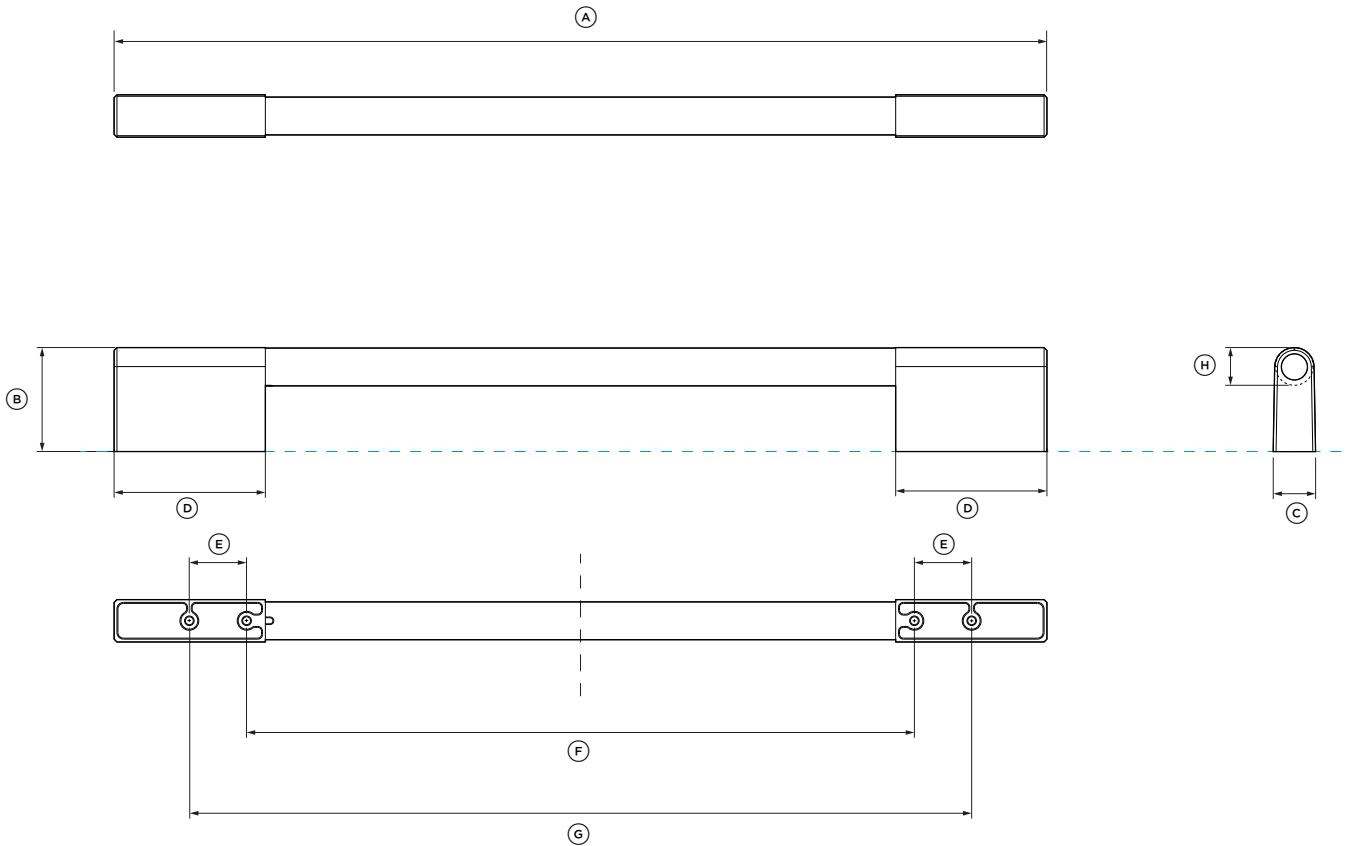
M5 X 12" Pan Head Socket Screw (4 per handle).  
Suits standard 19mm panel. Thicker panels may require counterboring or longer screws.



INDICATES PRODUCT DATUM -----  
INDICATES CABINETRY CLEARANCES -----

**IMPORTANT NOTE:** Throughout this guide, dimensions may vary by ±2mm. Please read the Installation Guide for detailed information on installing the product. For full installation instructions visit [fisherpaykel.com](http://fisherpaykel.com)





**HANDLE DATA SHEET**  
**For all Integrated Wine Cabinet &**  
**Integrated Beverage Centre models**

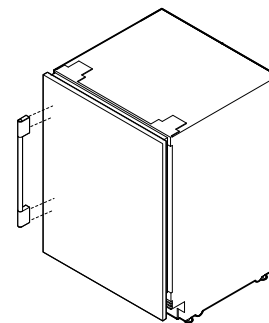
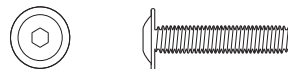
Model No:  
**Classic Handle AHCLR09**

For Models:  
**RS6009V2RT1, RS6009V2R1**  
**Integrated Wine Cabinets**  
**RS6009SBLT1, RS6009SBL1**  
**Integrated Beverage Centres**

Handle Dimensions	mm
Ⓐ Overall length of handle	414
Ⓑ Overall height of handle	55
Ⓒ Overall width of handle	22
Ⓓ Length of off-stand	80
Ⓔ Distance between attachment holes	30
Ⓕ Distance between inner attachment holes	353
Ⓖ Distance between outer attachment holes	413
Ⓗ Thickness of handle rail	20

**SCREWS**

M5 X 12" Pan Head Socket Screw (4 per handle).  
 Suits standard 19mm panel. Thicker panels may require counterboring or longer screws.



INDICATES PRODUCT DATUM -----  
 INDICATES CABINETRY CLEARANCES -----

**IMPORTANT NOTE:** Throughout this guide, dimensions may vary by ±2mm. Please read the Installation Guide for detailed information on installing the product. For full installation instructions visit [fisherpaykel.com](http://fisherpaykel.com)

