

FISHER & PAYKEL

DATA SHEET Convection Speed Oven with Trim Kit

Model no:

OM24NDB1 with TK30NDB1, OM24NDBB1 with TK30NDBB1

(refer page 2 for metric measurements)

Product Dimensions	inches
Ⓐ Overall height of oven and trim	18 13/16"
Ⓑ Overall width of oven and trim	29 13/16"
Ⓒ Overall depth of oven and trim (excludes handle and front metal trim)	22 1/2"
Ⓓ Depth of oven frame and trim surround (excludes handle and front metal trim)	1 5/8"
Ⓔ Depth of oven chassis and trim brackets	20 7/8"
Ⓕ Height of oven chassis and trim brackets	18 1/16"
Ⓖ Width of oven chassis	21 7/8"
Ⓗ Width of oven	23 1/2"
Ⓙ Height from bottom datum to top of oven door	14 7/16"
Ⓚ Height of control panel	3 15/16"
Ⓛ Height of metal cap on control panel	13/16"
Ⓜ Height from bottom datum to centreline of handle	13 1/2"
Ⓝ Width of handle	22 1/4"
Ⓞ Depth of handle (measured from front of door)	1 5/8"
Ⓟ Thickness of handle	5/8"
Ⓟ Distance from bottom datum to top of trim grille	13/16"
Ⓠ Depth of door when opened (measured from front of door)	12 5/8"
Ⓡ Height of trim support brackets	13/16"

Minimum Clearances	inches
Minimum inside height of cavity (proud installation)	18 1/2"
Minimum inside depth of cavity (proud installation)	22 1/16"
Minimum inside width of cavity	22 1/16"
Overall height of cabinetry (cavity around trim surround)	18 15/16"
Overall width of cabinetry (cavity around trim surround)	30"
Minimum inside depth of cavity (flush installation)	23 5/8"
Rear ventilation air vent depth*	2"
Rear ventilation air vent width*	22 1/16"

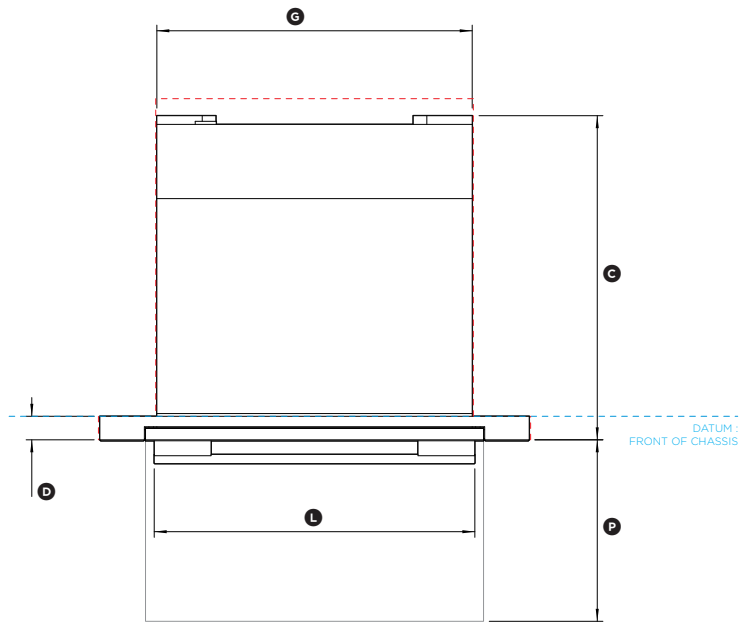
*A rear ventilation air vent totalling 43.4in² is required. The air vent must be located at the rear of cabinet, it can be positioned at the base, sides, back or top of the cavity.

IMPORTANT NOTE: For full installation and clearance details please refer to our installation manual.

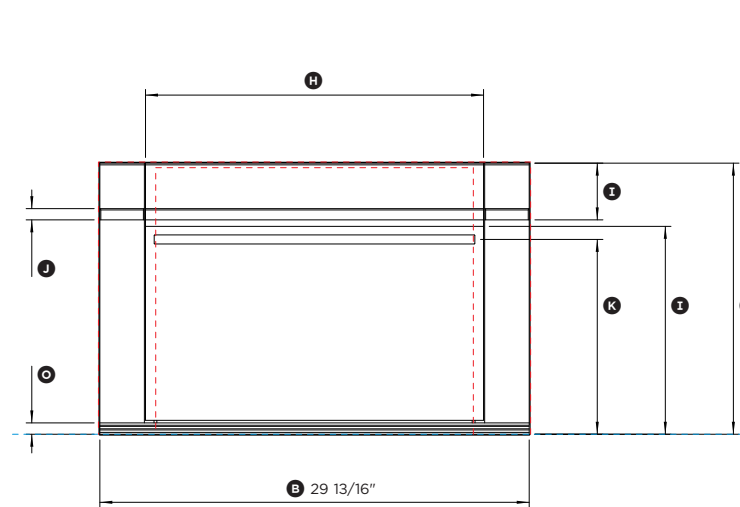
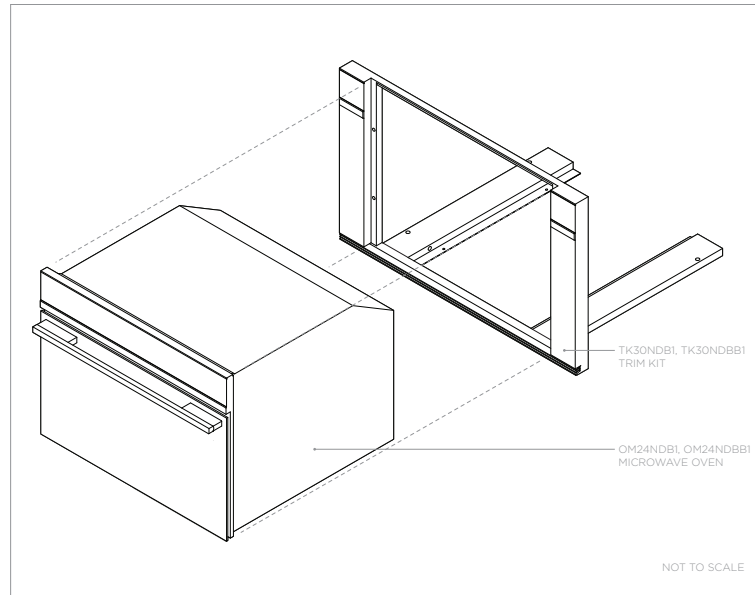
INDICATES PRODUCT DATUM -----
INDICATES CABINETRY CLEARANCES - - - - -

DATE: 25.11.2019

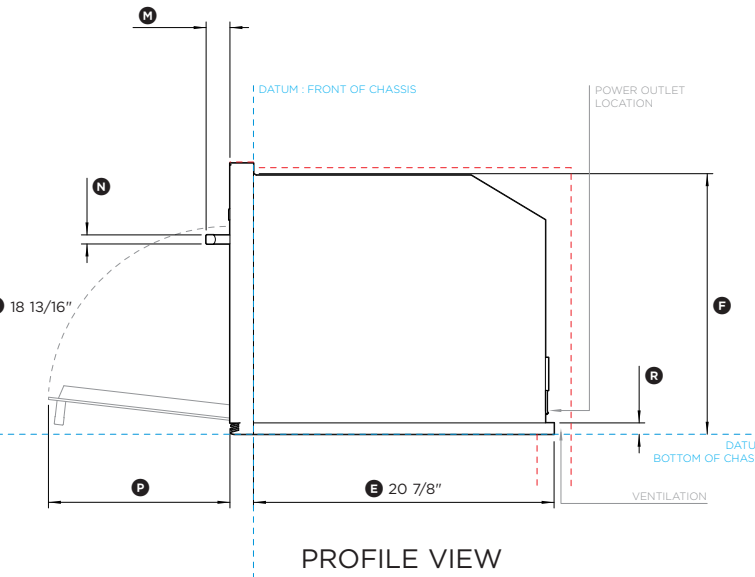
IMPORTANT NOTE: Throughout this guide, dimensions may vary by ±2mm (1/16"). Please read the installation manual for detailed information on installing the product. For full installation instructions & specifications visit fisherpaykel.com



PLAN VIEW



FRONT VIEW



PROFILE VIEW



FISHER & PAYKEL

DATA SHEET Convection Speed Oven with Trim Kit

Model no:

OM24NDB1 with TK30NDB1, OM24NDBB1 with TK30NDBB1

(refer page 1 for imperial measurements)

Product Dimensions	mm
Ⓐ Overall height of oven and trim	478
Ⓑ Overall width of oven and trim	757
Ⓒ Overall depth of oven and trim (excludes handle and front metal trim)	572
Ⓓ Depth of oven frame and trim surround (excludes handle and front metal trim)	42
Ⓔ Depth of oven chassis and trim brackets	530
Ⓕ Height of oven chassis and trim brackets	460
Ⓖ Width of oven chassis	556
Ⓗ Width of oven	596
Ⓘ Height from bottom datum to top of oven door	367
Ⓝ Height of control panel	100
Ⓚ Height of metal cap on control panel	20
Ⓛ Height from bottom datum to centreline of handle	344
Ⓜ Width of handle	565
Ⓝ Depth of handle (measured from front of door)	42
Ⓞ Thickness of handle	16
Ⓟ Distance from bottom datum to top of trim grille	20
Ⓠ Depth of door when opened (measured from front of door)	320
Ⓡ Height of trim support brackets	20

Minimum Clearances	mm
Minimum inside height of cavity (proud installation)	470
Minimum inside depth of cavity (proud installation)	560
Minimum inside width of cavity	560
Overall height of cabinetry (cavity around trim surround)	480
Overall width of cabinetry (cavity around trim surround)	761
Minimum inside depth of cavity (flush installation)	600
Rear ventilation air vent depth*	50
Rear ventilation air vent width*	560

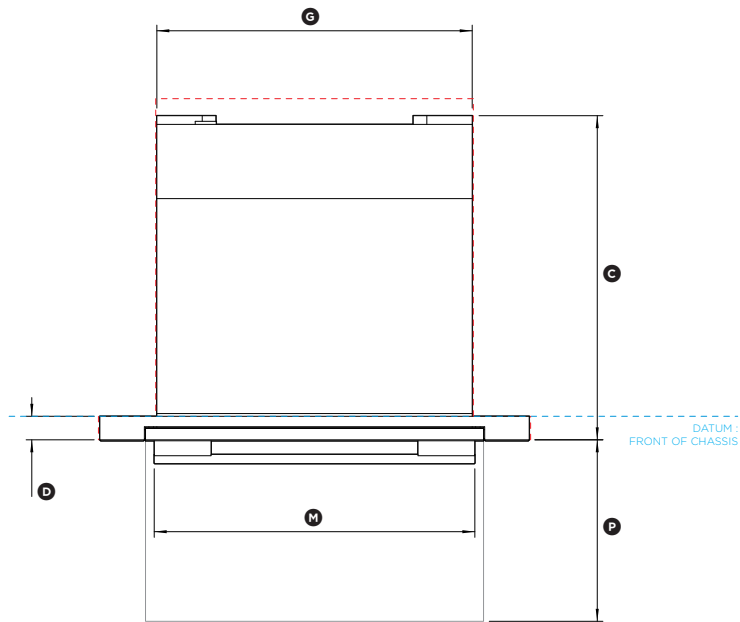
*A rear ventilation air vent totalling 280cm² is required. The air vent must be located at the rear of cabinet, it can be positioned at the base, sides, back or top of the cavity.

IMPORTANT NOTE: For full installation and clearance details please refer to our installation manual.

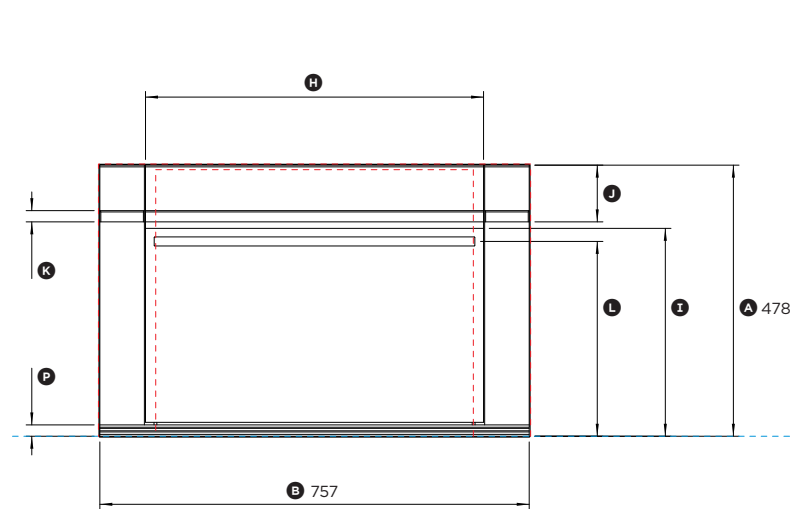
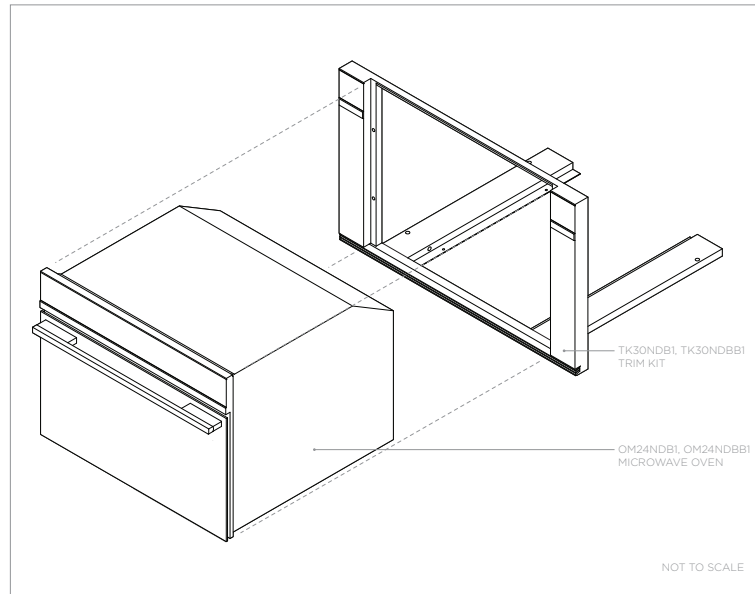
INDICATES PRODUCT DATUM -----
INDICATES CABINETRY CLEARANCES -----

DATE: 25.11.2019

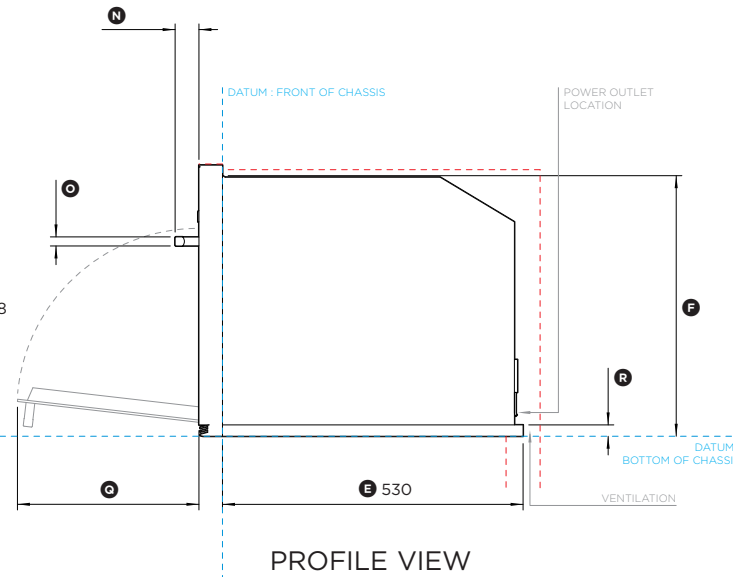
IMPORTANT NOTE: Throughout this guide, dimensions may vary by ±2mm (1/16"). Please read the installation manual for detailed information on installing the product. For full installation instructions & specifications visit fisherpaykel.com



PLAN VIEW



FRONT VIEW



PROFILE VIEW

