

# 60cm Series 7 Minimal Compact Combi Microwave Oven

Series 7 | Minimal

Grey Glass

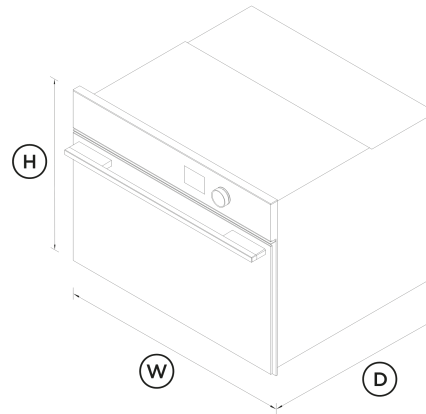


The speed of microwave cooking with the versatility of convection oven technology in a compact companion model, for perfect pairing.

- Compact size, and generous 49L capacity with four shelf positions
- Intuitive, 2.4" display with illuminated dial
- Wi-Fi enabled and works with the SmartHQ™ app for remote control and notifications

## DIMENSIONS

|        |        |
|--------|--------|
| Height | 458 mm |
| Width  | 596 mm |
| Depth  | 565 mm |



## FEATURES & BENEFITS

### Cooking Flexibility

Choose from 19 cooking functions including Fan Forced and Grill. With both microwave and convection oven technology in the same oven, you have more flexibility for your culinary creations.

### Sized To Suit

A compact 60cm width means this microwave oven can be placed almost anywhere – all companion products can be installed at a convenient height to suit your kitchen design and preference.

### Complementary Design

Finished in a subtle grey glass, our Minimal style companion products help you achieve a coherent kitchen aesthetic that suits your design style.

### Easy Cleaning

This Combination Microwave Oven has formed side racks and a stainless steel interior for easy cleaning.

### Safe And Sound

The CoolTouch door is safe to touch from the outside, protecting your hands and the surrounding cabinetry.

## SPECIFICATIONS

### Accessories (included)

|                       |       |
|-----------------------|-------|
| Chromed shelf runners | •     |
| Glass tray            | 1     |
| Grill rack            | 1 set |
| Step down wire shelf  | 1     |
| Wire shelf            | 1     |

### Accessories (sold separately)

|                          |       |
|--------------------------|-------|
| Wired temperature sensor | TSOM1 |
|--------------------------|-------|

### Capacity

|                 |      |
|-----------------|------|
| Shelf positions | 4    |
| Total capacity  | 49 L |

Usable capacity **38 L**

**Cleaning**

- Acid resistant graphite enamel
- Drying cycle
- Easy to clean interior
- Removable shelf runners

**Controls**

- Adjustable audio and display settings
- Audio feedback
- Automatic cooking/minute timer
- Automatic pre-set temperatures
- Celsius/Fahrenheit temperature
- Certified Sabbath mode
- Delay start
- Dial with illuminated halo
- Electronic capacitive touch controls
- Electronic clock
- Electronic oven control
- Guided cooking
- Halogen lights
- LED display
- Microwave timer
- Multi-language display

**UK English, US English, Simplified Chinese, Français, Español**

- Push-to-open drawer
- Smart appliance

- Soft close doors
- True convection oven
- Turned stainless steel dials with illuminated halos

**Functions**

- Air fry
- Bake
- Defrost
- Fan bake
- Fan forced
- Fan forced + Micro
- Fan forced + Micro (2 levels)
- Fan grill
- Fan grill + Micro (2 levels)
- Grill
- Grill + Micro (2 levels)
- Microwave cooking
- Pastry Bake
- Pizza bake
- Popcorn
- Quick start
- Reheat
- Roast
- Roast + Micro (2 levels)
- Slow cook
- Vent bake

**Performance**

- ActiveVent™ system

- AeroTech™ technology
- Automatic rapid pre-heat
- Microwave by levels
- Microwave power **900 W**
- Microwave power levels **6**
- Temperature range **35 - 230°C**
- Whisper Quiet Cooking

**Power requirements**

- Amperage **16 A**
- Supply frequency **50 Hz**
- Supply voltage **220-240 V**

**Product dimensions**

- Depth **565 mm**
- Height **458 mm**
- Width **596 mm**

**Safety**

- Balanced oven door
- Control panel key lock
- CoolTouch door
- Non-tip shelves
- Safety thermostat

**Warranty**

- Parts and labour **2 years**

SKU

82692

---

The product dimensions and specifications in this page apply to the specific product and model. Under our policy of continuous improvement, these dimensions and specifications may change at any time. You should therefore check with Fisher & Paykel's Customer Care Centre to ensure this page correctly describes the model currently available. © Fisher & Paykel Appliances Ltd 2020

**Other product downloads available at fisherpaykel.com**[Service & Warranty](#)[User Guide Combination Microwave Oven](#)**Where applicable:**

All appliances use energy, and energy usage typically generates carbon emissions. **Fisher & Paykel Appliances' In-use Energy Carbon Emissions Estimate** indicates carbon emissions from a product's in-use energy. This is calculated either annually or per cycle, using the product's market-specific energy label energy consumption data multiplied by the carbon emissions factor for energy in your country or region.

Our In-use Energy Carbon Emissions Estimate is designed to assist customers in making informed purchasing decisions when comparing different Fisher & Paykel products. For example, a heat pump dryer typically has a lower In-use Energy Carbon Emissions Estimate than a vented dryer.

**A PEACE OF MIND SALE****24 Hours 7 Days a Week Customer Support**T +65 6741 0777 W [www.fisherpaykel.com](http://www.fisherpaykel.com)