

PLANNING GUIDE

**SLIDE-IN
FRENCH DOOR
REFRIGERATORS**

—
April 2017

FISHER & PAYKEL

CONTENTS

RS90AU1 & RS90A1 with Stainless Steel Door panels

Product & Cavity Dimensions	3
Door Opening & Clearance Dimensions	5
Cavity Preparation	11
Max Distance of Hose & Cord	12

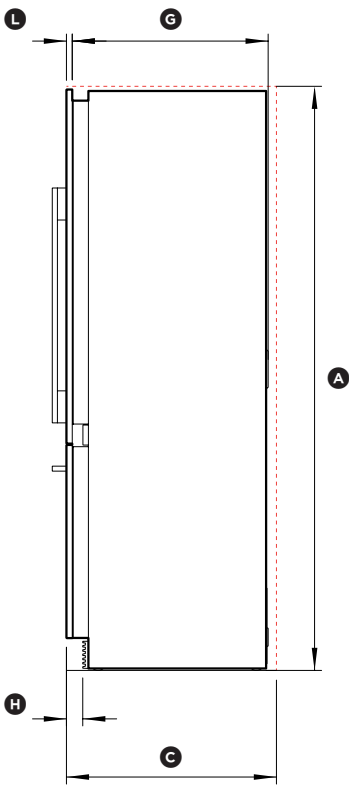
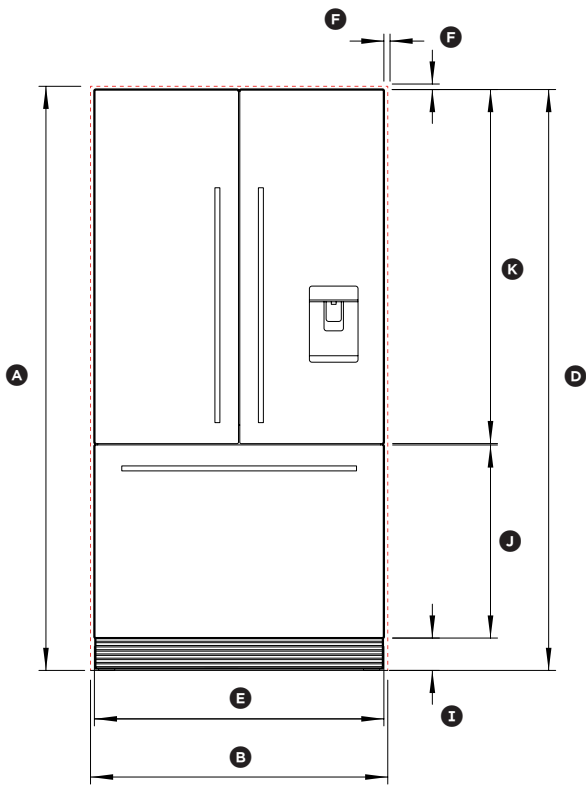
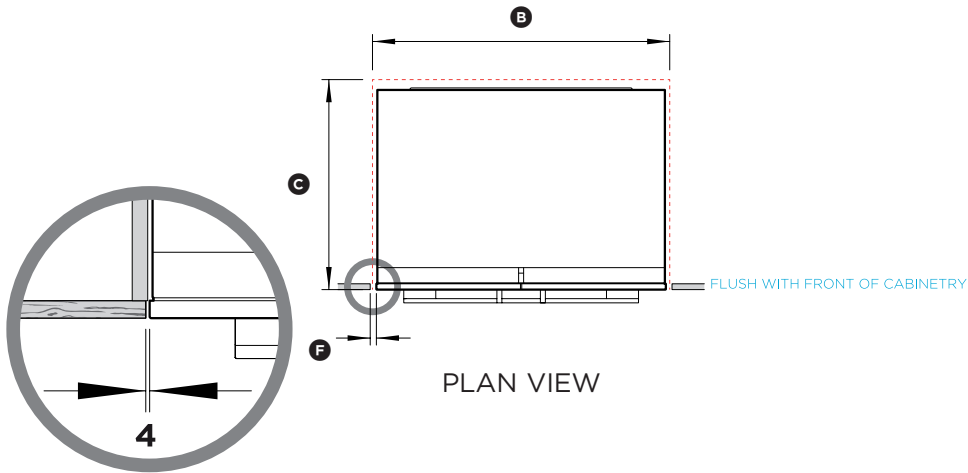
RS90A1 with Custom Door panels

Product & Cavity Dimensions	6
Door Opening & Clearance Dimensions	7
Custom Panel Dimensions	8
Custom Panel Preparation	9
Cavity Preparation	11
Max Distance of Hose & Cord	12

FISHER & PAYKEL

PRODUCT & CAVITY DIMENSIONS 900mm ActiveSmart Slide-In Refrigerator

Model no:
RS90AU1 (with Stainless Steel Door panels PART NO. RD90U)



Cavity Dimensions	mm
Ⓐ Overall height of cavity	1800
Ⓑ Overall width of cavity	900
	when adjoining cabinetry can share 4mm door gap
	when adjoining cabinetry cannot share 4mm door gap
Ⓒ Overall depth of cavity	650

Total front panel width with required gaps at sides = 904mm (Ⓔ product width + 2 x Ⓕ cabinetry gaps).

Total front panel height with required gap above = 1802mm (Ⓓ product height + Ⓕ cabinetry gap).

Product Dimensions	mm
Ⓓ Overall height of product*	1798
Ⓔ Overall width of product	896
Ⓕ Minimum cabinetry gap clearance from edge of product	4
Ⓖ Overall depth of product (excl. front door panels)	606
Ⓗ Depth of toe kick (measured from front of door panels)	50
Ⓙ Height of grill/toe kick*	100
Ⓚ Height of bottom drawer panel	598
Ⓛ Height of top door panels	1096
Ⓜ Depth of product front panels (excludes handles)**	18

* Includes mounted feet.
** Optional EZKleen Stainless Steel front panels - PART NO. RD90U.

INDICATES CAVITY CLEARANCES - - - - -

DATE: 20.04.2017

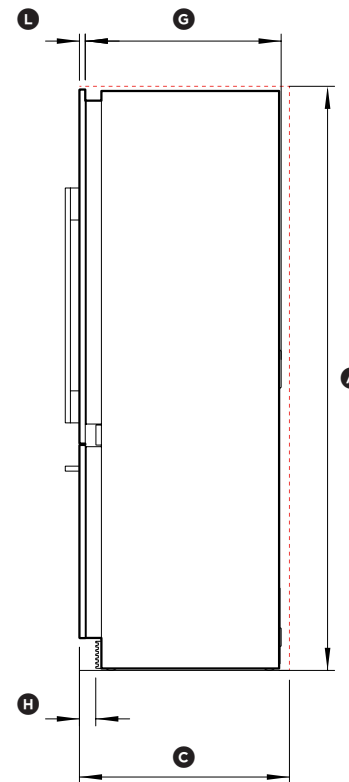
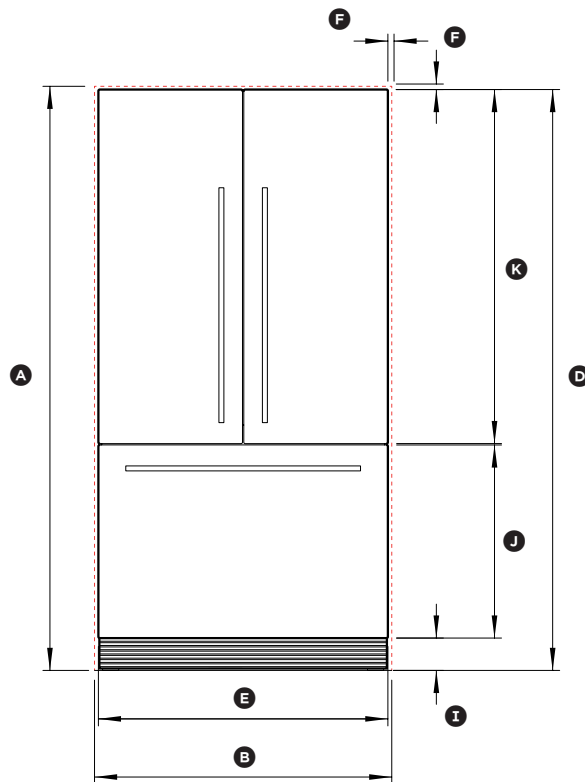
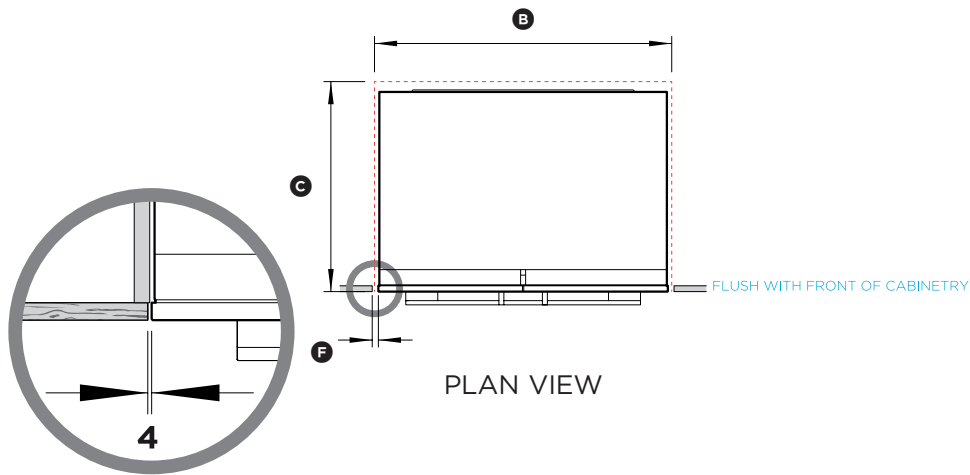
IMPORTANT NOTE: Throughout this guide, dimensions may vary by ±2mm (1/16"). Please read the installation manual for detailed information on installing the product. For full installation instructions & specifications visit fisherpaykel.com

FISHER & PAYKEL

PRODUCT & CAVITY DIMENSIONS 900mm ActiveSmart Slide-In Refrigerator

Model no:

RS90A1 (with Stainless Steel Door panels PART NO. RD90)



Cavity Dimensions	mm
Ⓐ Overall height of cavity	1800
Ⓑ Overall width of cavity	900
	when adjoining cabinetry can share 4mm door gap
	when adjoining cabinetry cannot share 4mm door gap
Ⓒ Overall depth of cavity	650

Total front panel width with required gaps at sides = 904mm (Ⓔ product width + 2 x Ⓕ cabinetry gaps).

Total front panel height with required gap above = 1802mm (Ⓓ product height + Ⓕ cabinetry gap).

Product Dimensions	mm
Ⓓ Overall height of product*	1798
Ⓔ Overall width of product	896
Ⓕ Minimum cabinetry gap clearance from edge of product	4
Ⓖ Overall depth of product (excl. front door panels)	606
Ⓗ Depth of toekick (measured from front of door panels)	50
Ⓘ Height of grill/toekick*	100
Ⓛ Height of bottom drawer panel	598
Ⓚ Height of top door panels	1096
Ⓛ Depth of product front panels (excludes handles)**	18

* Includes mounted feet.

** Optional EZKleen Stainless Steel front panels - PART NO. RD90.

INDICATES CAVITY CLEARANCES - - - - -

DATE: 20.04.2017

IMPORTANT NOTE: Throughout this guide, dimensions may vary by ±2mm (1/16"). Please read the installation manual for detailed information on installing the product. For full installation instructions & specifications visit fisherpaykel.com

FISHER & PAYKEL

DOOR OPENING & CLEARANCE DIMENSIONS 900mm ActiveSmart Slide-In Refrigerator

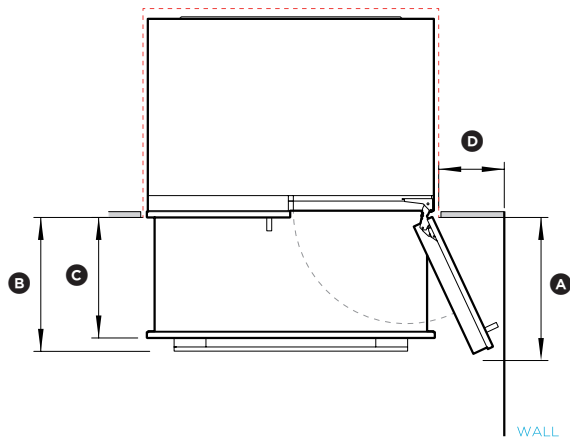
Model no:

RS90AU1 (with Stainless Steel Door panels PART NO. RD90U)

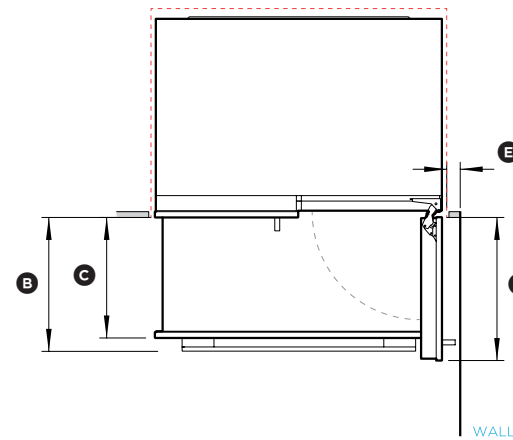
RS90A1 (with Stainless Steel Door panels PART NO. RD90)

Door Opening & Clearance Dimensions	mm
Ⓐ Depth of door (widest opening) measured from front of door	445
Ⓑ Depth of drawer (open) measured from front of drawer, including handle	400
Ⓒ Depth of drawer (open) measured from front of drawer, excluding handle	360
Ⓓ Minimum door clearance to adjacent wall* (115° - full internal access)	300
Ⓔ Minimum door clearance to adjacent wall* (90° - reduced internal access)	100

* Measured from front cabinetry edge, includes 2mm cabinetry gap.



115° DOOR OPENING
[FULL ROTATION]



90° DOOR OPENING

INDICATES CAVITY CLEARANCES - - - - -

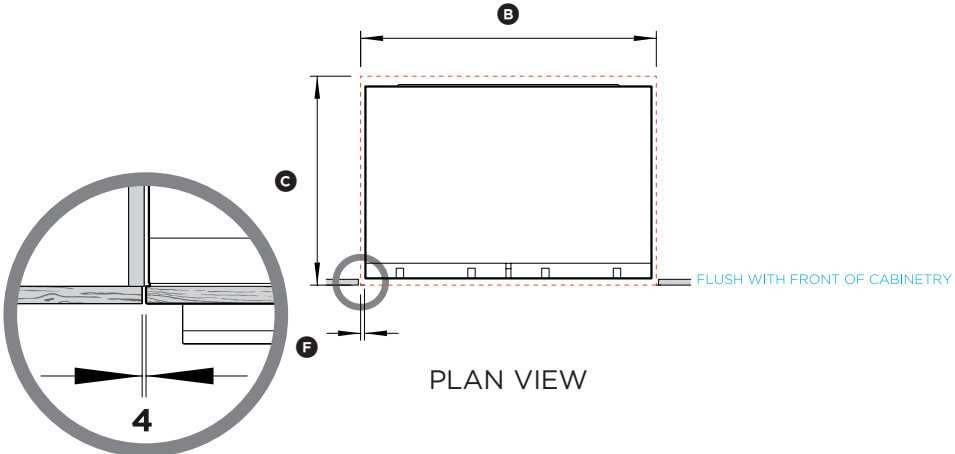
DATE: 20.04.2017

IMPORTANT NOTE: Throughout this guide, dimensions may vary by $\pm 2\text{mm}$ (1/16"). Please read the installation manual for detailed information on installing the product. For full installation instructions & specifications visit fisherpaykel.com

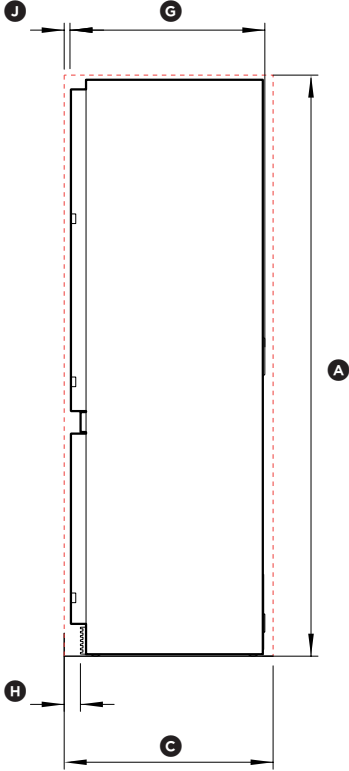
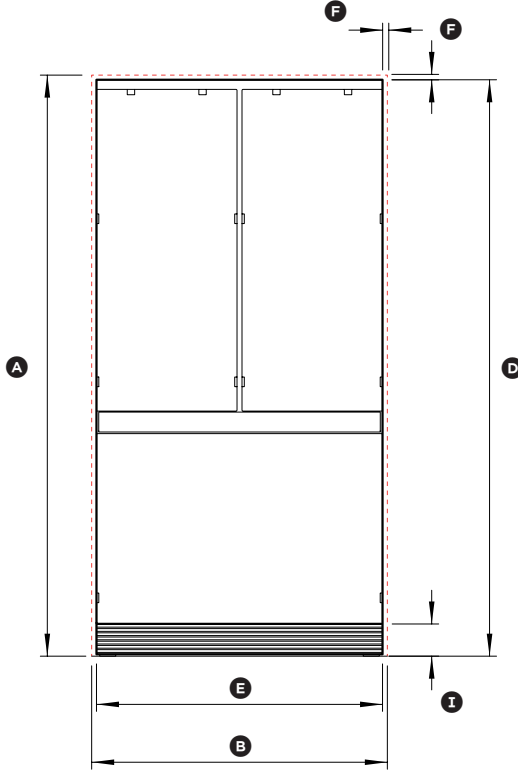
FISHER & PAYKEL

PRODUCT & CAVITY DIMENSIONS 900mm ActiveSmart Slide-In Refrigerator

Model no:
RS90A1



Note: Shown with custom panel attached to fridge



Cavity Dimensions	mm
Ⓐ Overall height of cavity	1800
Ⓑ Overall width of cavity	900
	when adjoining cabinetry can share 4mm door gap
	when adjoining cabinetry cannot share 4mm door gap
Ⓒ Overall depth of cavity	650

Total front panel width with required gaps at sides = 904mm (Refer custom panel dimensions page 8 - panel width + 2 x Ⓕ cabinetry gaps).

Product Dimensions	mm
Ⓓ Overall height of product*	1798
Ⓔ Overall width of product	890
Ⓕ Minimum cabinetry gap clearance from edge of custom panels**	4
Ⓖ Overall depth of product (excl. front door panels)	606
Ⓜ Depth of toekick (measured from front of door panels***)	50
Ⓣ Height of grill/toekick*	100
Ⓝ Depth of product front panels (excludes handles)**	18

* Includes mounted feet and top brackets.
 ** For custom panel dimensions refer to page 8.
 *** Door panels to be manufactured and fitted by cabinetmaker, max thickness 18mm.

INDICATES CAVITY CLEARANCES -----

DATE: 20.04.2017

IMPORTANT NOTE: Throughout this guide, dimensions may vary by ±2mm (1/16"). Please read the installation manual for detailed information on installing the product. For full installation instructions & specifications visit fisherpaykel.com

FISHER & PAYKEL

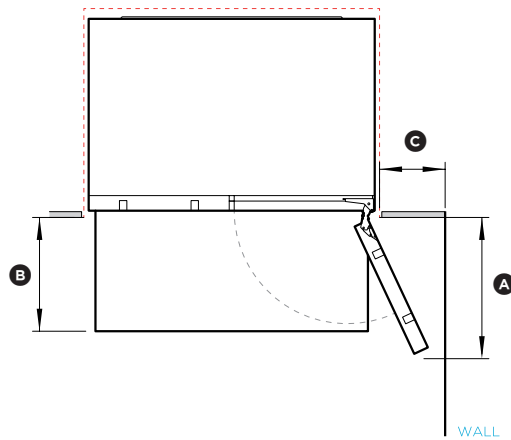
DOOR OPENING & CLEARANCE DIMENSIONS 900mm ActiveSmart Slide-In Refrigerator

Model no:
RS90A1

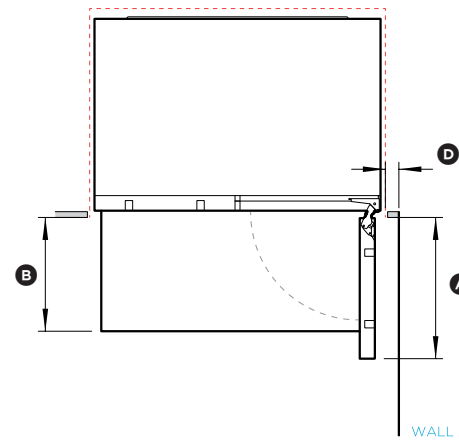
Door Opening & Clearance Dimensions	mm
Ⓐ Depth of door (widest opening) measured from front of cabinetry	445
Ⓑ Depth of drawer (open) measured from front of cabinetry*	338
Ⓒ Minimum door clearance** to adjacent wall (115° - full internal access)*	300
Ⓓ Minimum door clearance** to adjacent wall (90° - reduced internal access)*	100

* Does not include the custom door panels or handles to be manufactured and fitted by cabinetmaker.

** Measured from front cabinetry edge, includes 2mm cabinetry gap.



115° DOOR OPENING
[FULL ROTATION]



90° DOOR OPENING

INDICATES CAVITY CLEARANCES -----

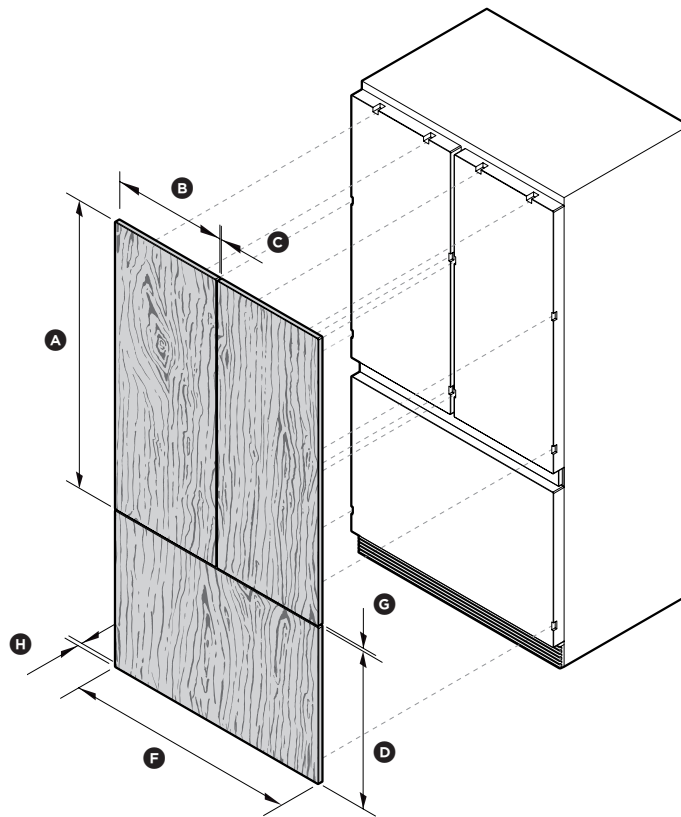
DATE: **20.04.2017**

IMPORTANT NOTE: Throughout this guide, dimensions may vary by $\pm 2\text{mm}$ (1/16"). Please read the installation manual for detailed information on installing the product. For full installation instructions & specifications visit fisherpaykel.com

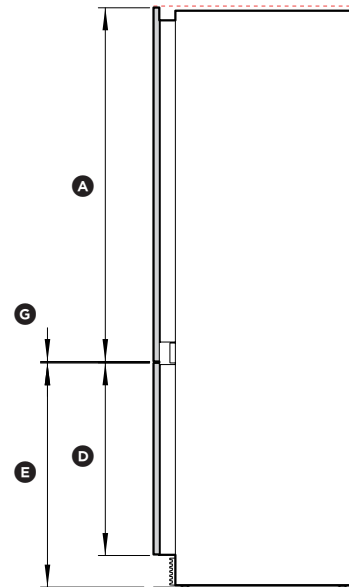
FISHER & PAYKEL

CUSTOM PANEL DIMENSIONS 900mm ActiveSmart Slide-In Refrigerator

Model no:
RS90A1



ISO VIEW



PROFILE VIEW

Custom Panel Dimensions	mm
Ⓐ Height of top door panel	1096
Ⓑ Width of top door panel	446
Ⓒ Gap between top door panels	4
Ⓓ Height of bottom drawer panel	598
Ⓔ Height from bottom of product to top of bottom drawer panel	698
Ⓕ Width of bottom drawer panel	896
Ⓖ Gap between top door panels and bottom drawer panel	4
Ⓗ Maximum depth of custom panels	18
Maximum weight of an individual top door panel	
	10kg
Maximum weight of bottom drawer panel	
	9.5kg

Custom door panels and handles to be manufactured and fitted by cabinetmaker.

INDICATES CAVITY CLEARANCES -----

DATE: **20.04.2017**

IMPORTANT NOTE: Throughout this guide, dimensions may vary by $\pm 2\text{mm}$ (1/16"). Please read the installation manual for detailed information on installing the product. For full installation instructions & specifications visit fisherpaykel.com

FISHER & PAYKEL

CUSTOM PANEL PREPARATIONS 900mm ActiveSmart Slide-In Refrigerator

Model no:
RS90A1

Custom Panel Preparation

Dimensions are shown in Metric (mm).

Dimensions apply for the preparation and installation of custom panels.

Custom panels are for non-Ice & Water models only.

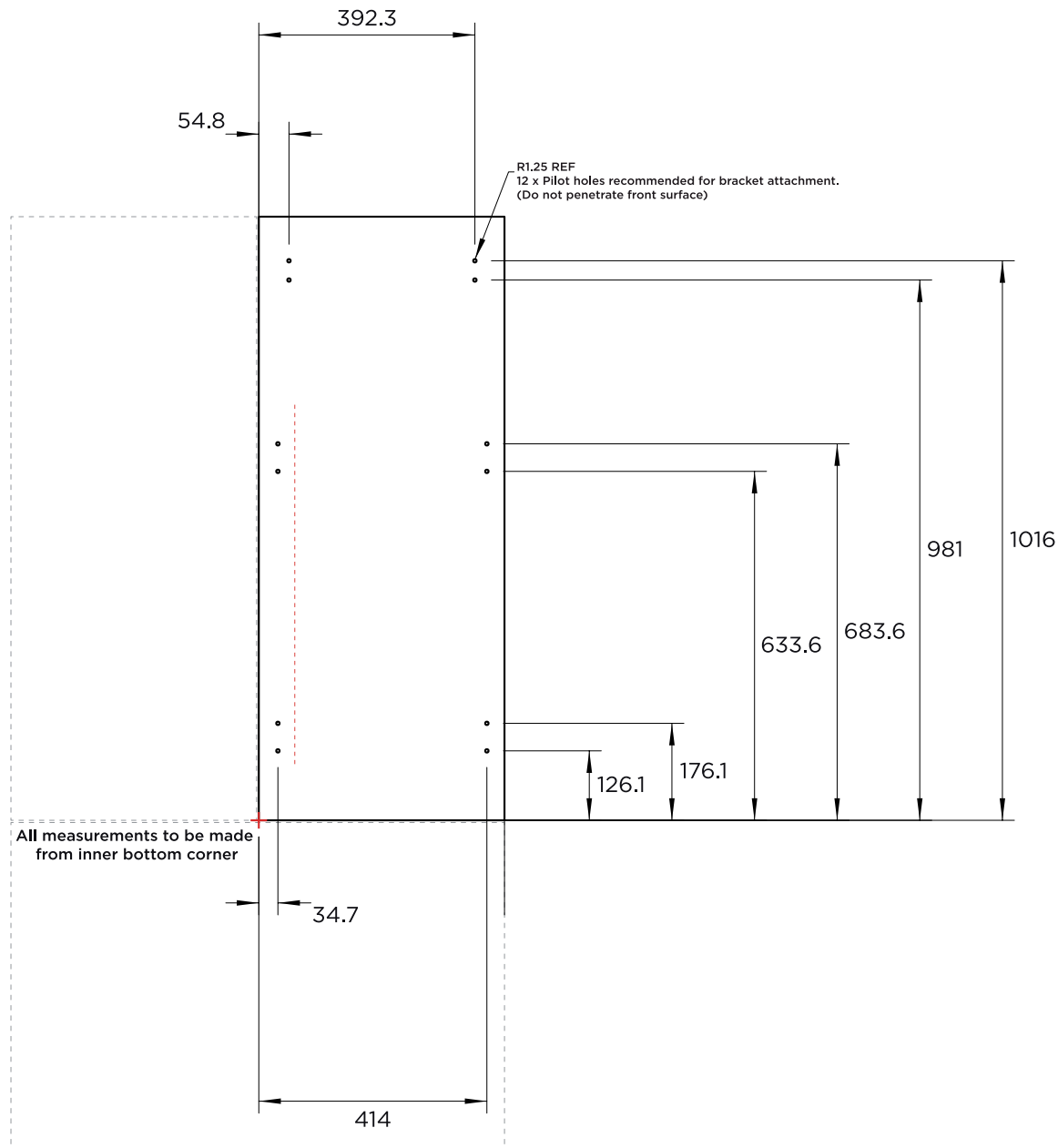
For the second panel mirror and repeat dimensions using inner bottom corner as the reference point.

Handles

Ensure handle is mounted 65 mm from inner edge of panel to the centre - this will avoid interference with brackets. (Refer red dash line).

Dwg & Dxf Files

Dwg and Dxf files of the panel preparation are available within the download folder for this product and can be found on <http://thekitchentools.fisherpaykel.com>.



TOP PANEL - REAR VIEW

DATE: 20.04.2017

IMPORTANT NOTE: Throughout this guide, dimensions may vary by $\pm 2\text{mm}$ (1/16"). Please read the installation manual for detailed information on installing the product. For full installation instructions & specifications visit fisherpaykel.com

FISHER & PAYKEL

CUSTOM PANEL PREPARATIONS 900mm ActiveSmart Slide-In Refrigerator

Model no:
RS90A1

Custom Panel Preparation

Dimensions are shown in Metric (mm).

Dimensions apply for the preparation and installation of custom panels.

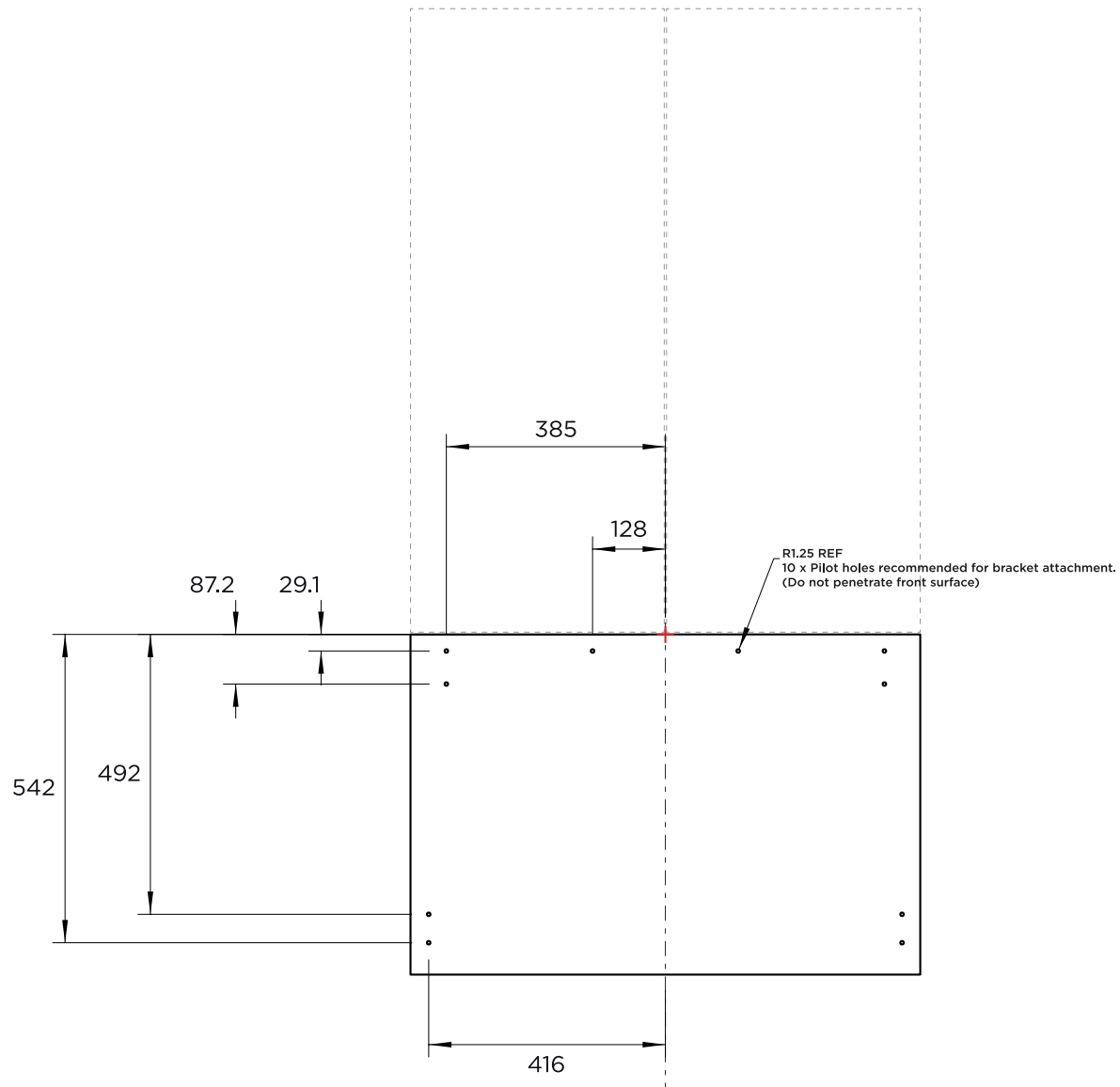
Custom panels are for non-Ice & Water models only.

Handles

Ensure handle screw heads are counter sunk into back of panel to avoid interfering with hanging bracket.

Dwg & Dxf Files

Dwg and Dxf files of the panel preparation are available within the download folder for this product and can be found on <http://thekitchentools.fisherpaykel.com>.



BOTTOM PANEL - REAR VIEW

DATE: **20.04.2017**

IMPORTANT NOTE: Throughout this guide, dimensions may vary by $\pm 2\text{mm}$ (1/16"). Please read the installation manual for detailed information on installing the product. For full installation instructions & specifications visit fisherpaykel.com

FISHER & PAYKEL

CAVITY PREPARATION 900mm ActiveSmart Slide-In Refrigerator

Model no:

RS90AU1 (with Stainless Steel Door panels PART NO. RD90U)

RS90A1 (with Stainless Steel Door panels PART NO. RD90)

RS90A1

Cavity Dimensions	mm
Ⓐ Overall height of cavity	1800
Ⓑ Overall width of cavity	900
	when adjoining cabinetry can share 4mm door gap
	when adjoining cabinetry cannot share 4mm door gap
Ⓒ Overall depth of cavity	650

Specifications **RS90A1**

Electrical

Supply 230 VAC, 50 Hz

Service 10 amp circuit

Specifications **RS90AU1**

Electrical

Supply 230 VAC, 50 Hz

Service 10 amp circuit

Plumbing

Supply 1/2" BSP threaded water connection, 6.35mm PEX tubing

Pressure Minimum 22 psi (150 kPa)
Maximum 120 psi (827 kPa) @ 20°C

NOTE: Recommended that the electrical & water connection be located in an adjacent cabinet to either side of the fridge or above the fridge cavity.

✗ Do not locate water or electricity in this area, keep clear of connections.

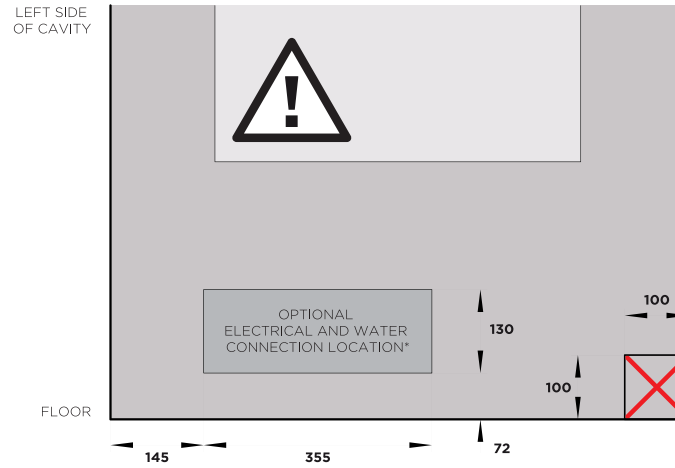
⚠ CAUTION: Central area can only fit water outlet and electrical plug if they are placed within a recessed cavity.

* In this location the water tap needs to be recessed into the wall, the recess must allow for an 80mm bend radius for the water tube.

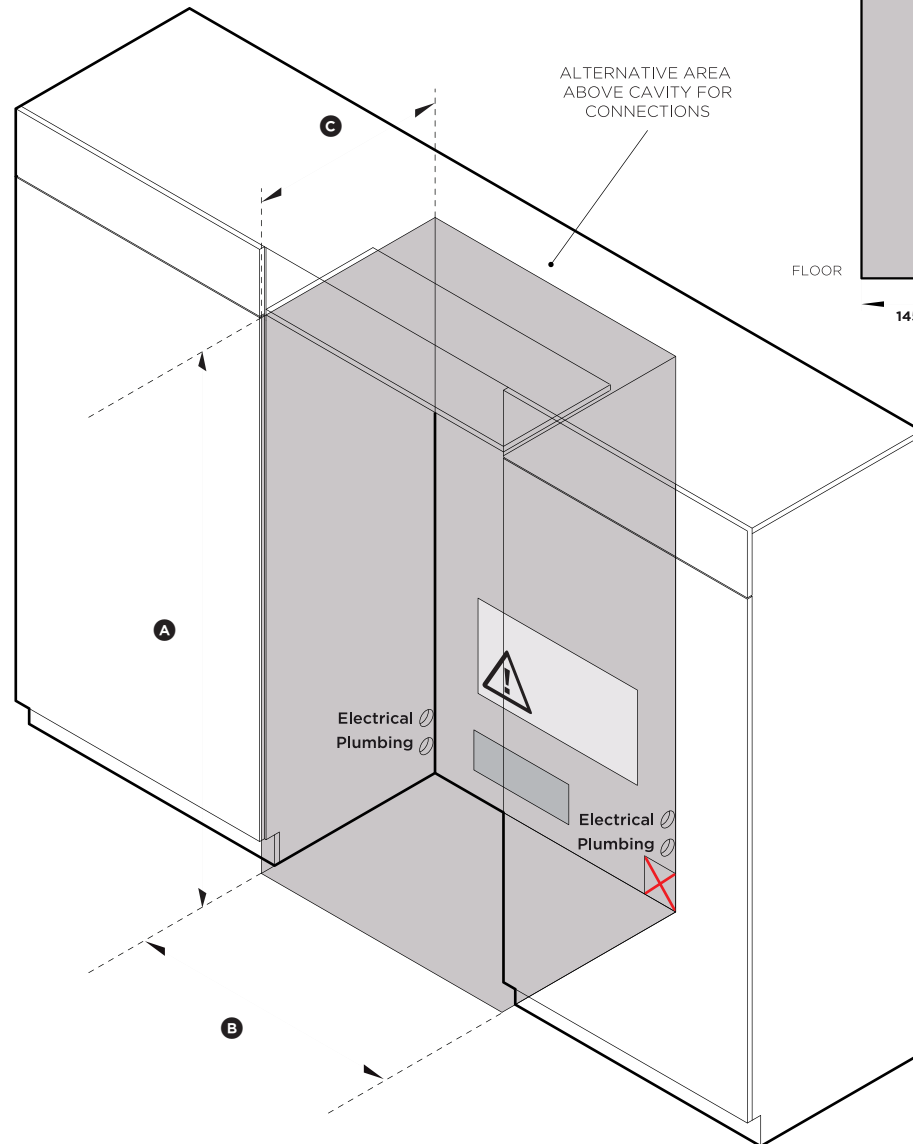
DATE: 20.04.2017

IMPORTANT NOTE: Throughout this guide, dimensions may vary by ±2mm (1/16"). Please read the installation manual for detailed information on installing the product. For full installation instructions & specifications visit fisherpaykel.com

LEFT SIDE
OF CAVITY



REAR OF CAVITY

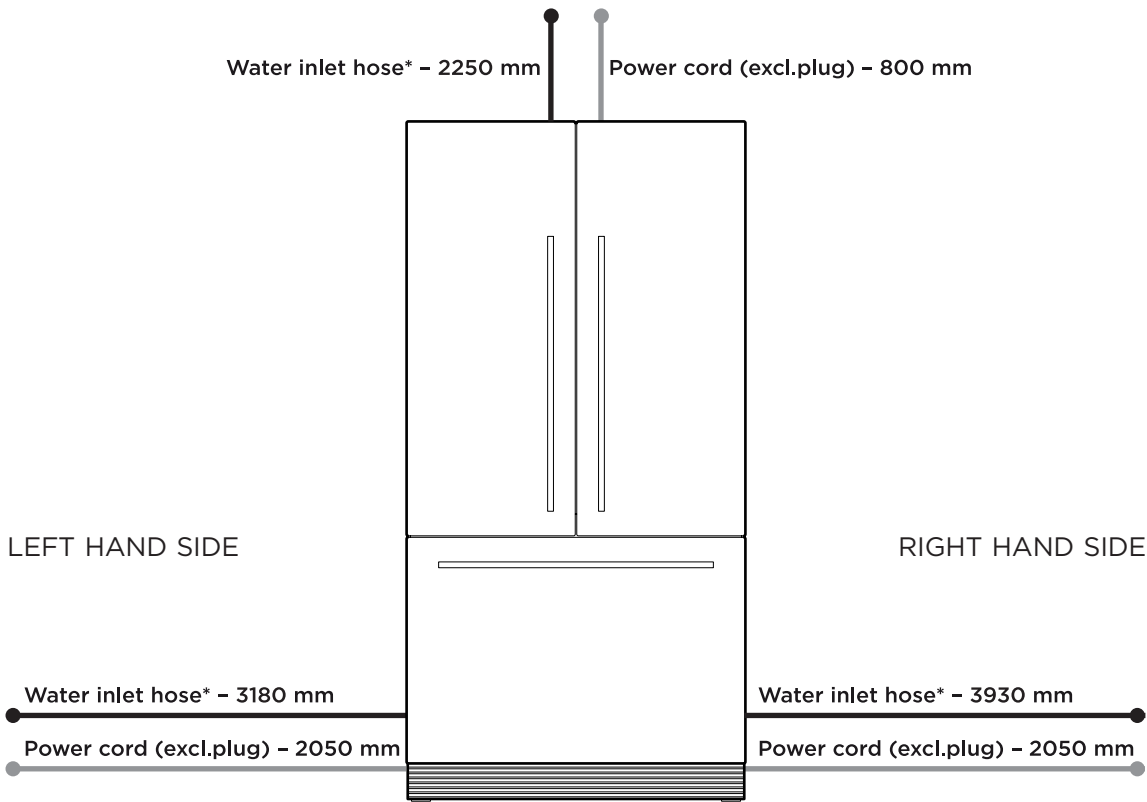


ISO VIEW OF CAVITY

FISHER & PAYKEL

MAX DISTANCE OF HOSE & CORD 900mm ActiveSmart Slide-In Refrigerator

Model no:
RS90AU1 (with Stainless Steel Door panels PART NO. RD90U)
RS90A1 (with Stainless Steel Door panels PART NO. RD90)
RS90A1



* Applies to Ice and Water model RS90AU1.

DATE: 20.04.2017

IMPORTANT NOTE: Throughout this guide, dimensions may vary by ± 2 mm (1/16"). Please read the installation manual for detailed information on installing the product. For full installation instructions & specifications visit fisherpaykel.com

IMPORTANT NOTE: The product dimensions and specifications apply at the date of issue. Under our policy of continuous product improvement, these dimensions and specifications may change at any time. Dimensions may vary by $\pm 2\text{mm}$ (1/16"). Please read the installation manual for detailed information on installing the product or visit fisherpaykel.com.

FISHER & PAYKEL