

90cm Series 5 Pyramid Chimney Wall Rangehood

Series 5 | Contemporary

Stainless Steel

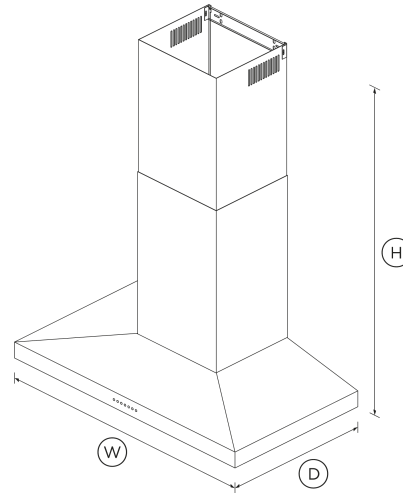


The wall chimney rangehood has contemporary styling, extracting steam, grease and cooking odours quietly and efficiently.

- With three fan speeds, select the perfect extraction rate for your cooking
- Powerful maximum air movement of 780m³/hr
- Dishwasher safe filters that are easy to remove and clean

DIMENSIONS

Height	610-1050 mm
Width	898 mm
Depth	500 mm



FEATURES & BENEFITS

Easy Installation

This wall chimney rangehood is the perfect partner to your Fisher & Paykel cooktop. It can be either externally ducted or internally recirculated, making it perfect for apartments.

Simple To Use

Three fan speeds provide powerful extraction to ensure steam and odours are quickly removed. Simply change the fan speed with the touch of a button.

Easy Cleaning

Three filters effectively trap grease particles during extraction. They are easy to remove and dishwasher safe, or can be cleaned by hand in hot soapy water.

Complementary Design

This wall chimney rangehood's sleek stainless steel finish which will complement any contemporary kitchen and is designed to match the rest of Fisher & Paykel's kitchen appliance family.

SPECIFICATIONS

Accessories (included)

Aluminium filter	792527
------------------	--------

Accessories (sold separately)

Chimney extension	792492 (Cover duct extension 850mm)
Eave ducting kit	PD-RHK150E
Light bulb	792461
Recirculation carbon filter	792481
Recirculation diverter	791820
Roof ducting kit	PD-RHK150T
Side wall ducting kit	PD-RHK150W

Fan ratings

Maximum air movement	780 m ³ /hr
Maximum sound rating	65 dBA

Installation and cleaning

Air outlet size	120-150 mm
Dishwasher safe filters	3
Ducted	Top extraction
Recirculation	Optional - top extraction
Two piece height adjustable flue	•

SKU 50007

The product dimensions and specifications in this page apply to the specific product and model. Under our policy of continuous improvement, these dimensions and specifications may change at any time. You should therefore check with Fisher & Paykel's Customer Care Centre to ensure this page correctly describes the model currently available. © Fisher & Paykel Appliances Ltd 2020

Performance

Extraction type	Surface
Fan speeds	3
Filter type	Mesh
Number of filters	3

Other product downloads available at fisherpaykel.com

- [↓ Service & Warranty](#)
- [↓ User/Installation Guide - Chimney Pyramid Rangehood](#)

Power requirements

Supply frequency	50 Hz
Supply voltage	220-240 V

Where applicable:

All appliances use energy, and energy usage typically generates carbon emissions. **Fisher & Paykel Appliances' In-use Energy Carbon Emissions Estimate** indicates carbon emissions from a product's in-use energy. This is calculated either annually or per cycle, using the product's market-specific energy label energy consumption data multiplied by the carbon emissions factor for energy in your country or region.

Product dimensions

Depth	500 mm
Height	610-1050 mm
Width	898 mm

Our In-use Energy Carbon Emissions Estimate is designed to assist customers in making informed purchasing decisions when comparing different Fisher & Paykel products. For example, a heat pump dryer typically has a lower In-use Energy Carbon Emissions Estimate than a vented dryer.

Product information

Control type	Push Button
--------------	-------------



A PEACE OF MIND SALE
 24 Hours 7 Days a Week Customer Support
 T 1300 650 590 W www.fisherpaykel.com

Ventilation features

Light type	LED
------------	-----