

# FISHER & PAYKEL

## BUILT IN OVEN

---

OB90 models

INSTALLATION GUIDE

NZ AU GB IE

**⚠ WARNING!**



**Electrical shock hazard**  
Always disconnect the appliance from the mains power supply before carrying out any maintenance or repairs. Connection to a good earth wiring system is essential and mandatory. Alterations to the domestic wiring system must only be made by a qualified electrician. Failure to follow this advice may result in electrical shock or death.

**⚠ WARNING!**



**Cut Hazard**  
Take care — panel edges are sharp. Failure to use caution could result in injury or cuts.

**⚠ WARNING!**



**Fire hazard**  
Do not use adapters, reducers, or branching devices to connect this appliance to the mains power supply. Failure to follow this advice may result in overheating, burning, or fire.

## IMPORTANT SAFETY INSTRUCTIONS

- To avoid hazard, follow these instructions carefully before installing or using this appliance.
- Make this information available to the person installing the appliance - doing so could reduce your installation costs.
- This appliance must be installed and connected to the mains power supply only by a suitably qualified person according to these installation instructions and in compliance with any applicable local building and electricity regulations. Failure to install the appliance correctly could invalidate any warranty or liability claims.
- The oven must be earthed.
- If the power supply cable is damaged, it must be replaced by the manufacturer, its service agent or similarly qualified person in order to avoid a hazard.
- The appliance must not be installed behind a decorative door in order to avoid overheating.

**IMPORTANT!**  
**SAVE THESE INSTRUCTIONS**

The models shown in this installation guide may not be available in all markets and are subject to change at any time. For current details about model and specification availability in your country, go to our website [fisherpaykel.com](http://fisherpaykel.com) or contact your local Fisher & Paykel dealer.

## ② PRIOR TO INSTALLATION

---

Before you install the oven, make sure:

- it will be lifted by two people.
- the oven will rest on a flat surface that can support its weight.
- the benchtop and oven cavity are square and level, and are the required dimensions.
- the height from the floor suits the customer.
- the oven door can open fully without obstruction.
- a suitable isolating switch providing full disconnection from the mains power supply (under overvoltage category III conditions) is incorporated in the permanent wiring, mounted and positioned to comply with the local wiring rules and regulations. The isolating switch must be of an approved type and provide a 3 mm air gap contact separation in all poles (or in all active [phase] conductors if the local wiring rules allow for this variation of the requirements).
- the electrician provides sufficient free length of power supply cable to reach from the bottom rear of the cavity to at least 1.5 metres in front of the bottom edge of the opening. The cable may enter the cavity from the side, top or bottom, but top entry must be at the rear of the cavity.

### **IMPORTANT!**

**Some environmental factors and cooking habits can cause condensation in and around the oven during use. To protect surrounding cabinetry from possible damage caused by frequent or excessive condensation, we recommend moisture-proofing the oven cavity.**

**Make sure the oven is installed in a cavity that is completely sealed on all sides (including top and base). This is to ensure the oven cooling system functions correctly.**

## ③ DURING INSTALLATION

---

### **IMPORTANT!**

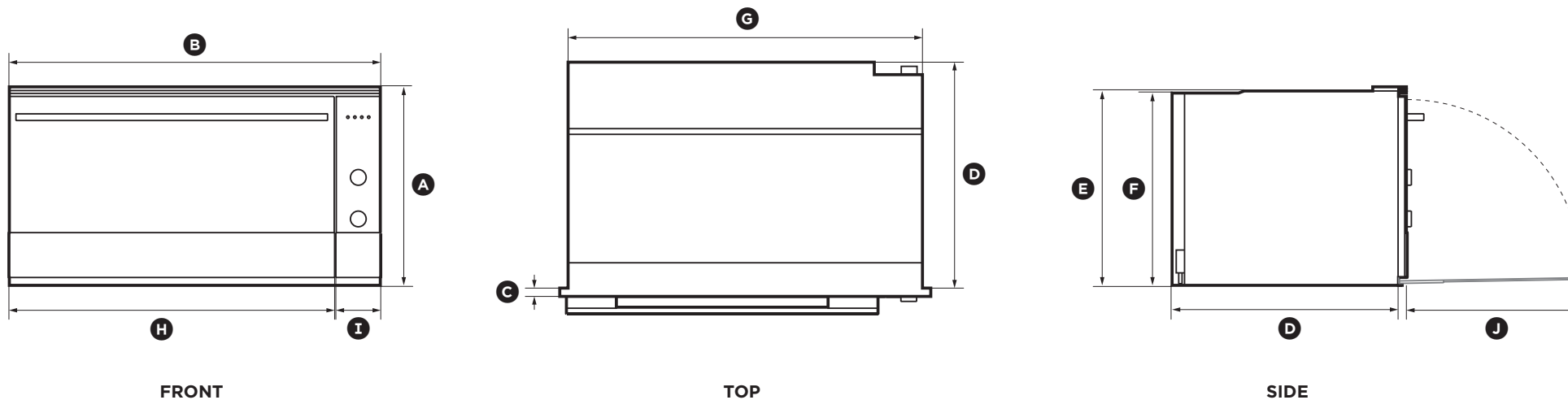
**Take extra care not to damage the lower trim of the oven during installation.**

**The trim is important for correct air circulation and allows the door to open and close without obstruction.**

**The manufacturer does not accept any responsibility for damage resulting from incorrect installation.**

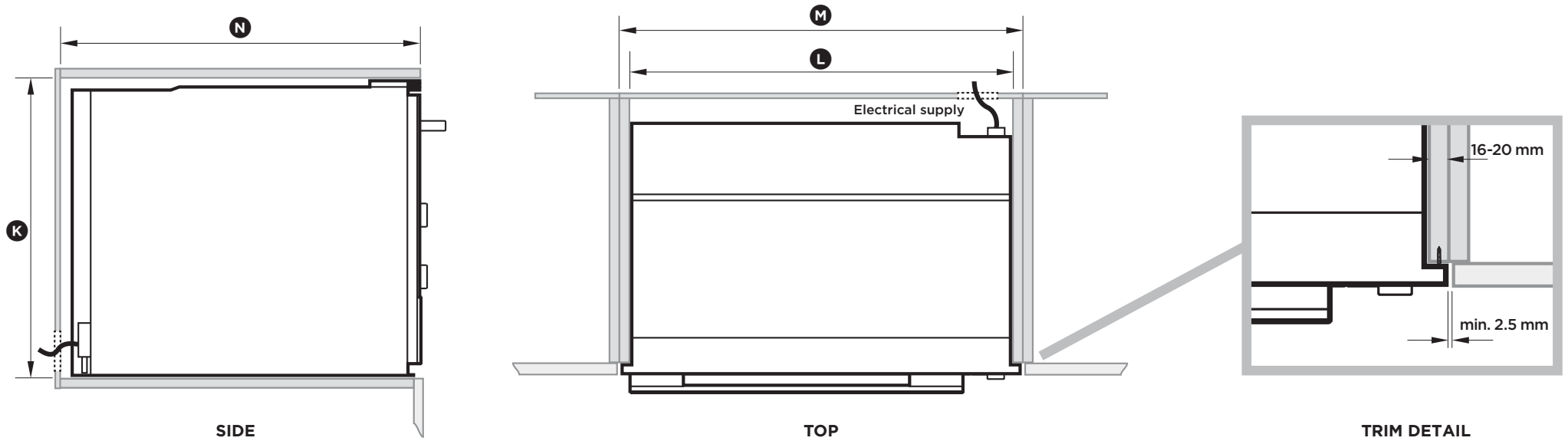
- Do not seal the oven into the cabinetry with silicone or glue. This makes future servicing difficult. Fisher & Paykel will not cover the costs of removing the oven, or of damage caused by this removal.
- Use the supplied screws to secure the oven to the cabinetry. Do not over-tighten the screws.
- Make sure that the power supply cable will not touch any hot metal parts.
- Make sure that the isolating switch will be easily accessible by the customer.
- Do not stand on the door, or place heavy objects on it.
- Do not lift the oven by the door handle.
- When handling the oven, take care not to damage the door sensor lever (near the top right corner of the oven seal).
- Use easy-to-clean finishes for the wall surfaces surrounding the oven, so that cooking fume staining resulting from using the oven is easy to remove.

## ④ PRODUCT DIMENSIONS



PRODUCT DIMENSIONS	OB90 MODELS (MM)
(A) Overall height of product (including upper and lower vents)	478
(B) Overall width of product	895
(C) Depth of oven front and control panel (excluding handle, dials and stainless steel cap)	20
(D) Depth of oven chassis (excluding oven front)	544
(E) Height of chassis	468
(F) Height of chassis at the rear	463
(G) Overall width of chassis	853
(H) Width of door (includes stainless steel cap)	784
(I) Width of control panel (includes stainless steel cap)	108
(J) Depth of oven door when fully open (from front of door)	418


## 5 CABINETY DIMENSIONS



CABINETY DIMENSIONS	OB90 MODELS (MM)
Ⓚ Height of cavity	480
Ⓛ Minimum inside width of cavity	860
Ⓜ Overall width of cabinetry	900
Ⓝ Minimum inside depth of cavity	550

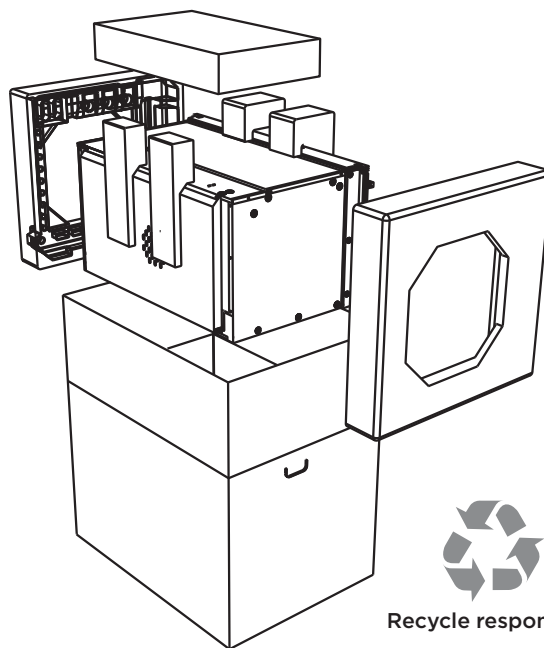
Note: If installing a cooktop above the oven, ensure adequate clearance is provided for the cooktop as per the cooktop manufacturer's instructions.

## ⑥ DISCARD PACKAGING RESPONSIBLY

<b>⚠ WARNING!</b>	
 <b>124 lb</b> <b>56 kg</b>	<b>Very Heavy</b> Do not attempt to lift this product unassisted. Lifting unassisted may cause serious injury.

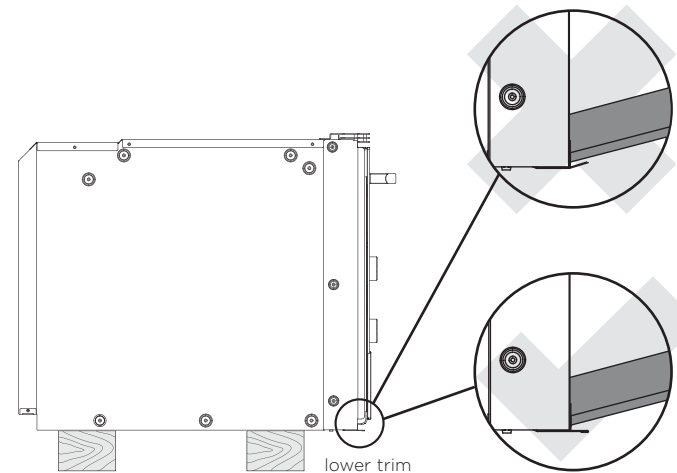
Remove the accessories box from the top of the oven and set aside.

Oven may vary.

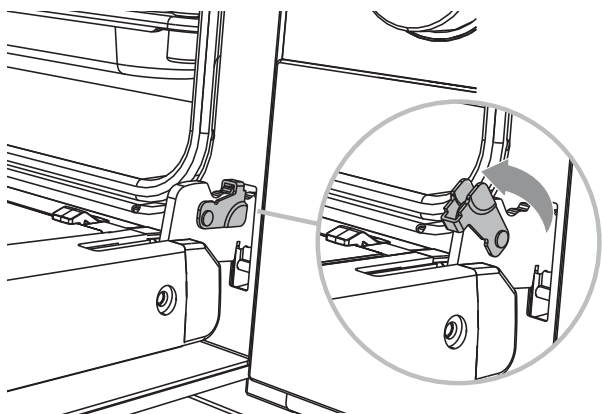


### **IMPORTANT!**

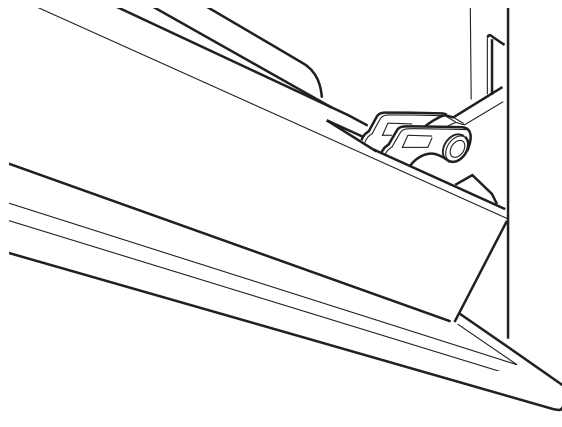
When you remove the oven from the carton be careful not to damage the lower trim. The trim is important for both ventilation and to ensure the door opens fully without obstruction



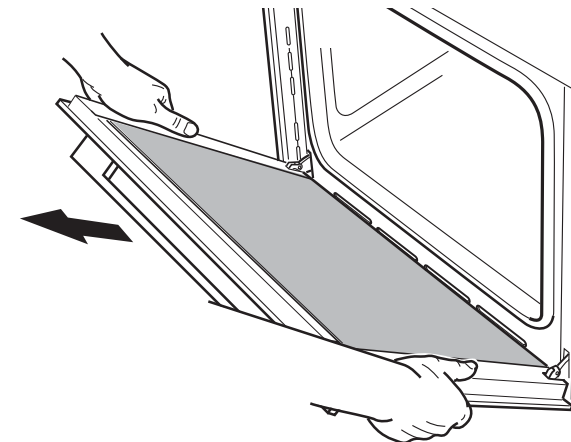
## ⑦ REMOVE THE DOOR



① Open the door completely, then open the levers on the left and right hinges to their full extent, as shown.



② Gently close the door until the left and right hinge levers are hooked to the door.



③ Hold the door firmly, as shown, and lift the door to remove.

## 8 CONNECT THE OVEN TO THE MAINS SUPPLY

### IMPORTANT!

- This oven must be connected to the mains power supply only by a suitably qualified person.
- This oven must be earthed.

MODEL	MAX POWER (W)	VOLTAGE (V)	AMPS (A)
OB90	4730	220-240 V~	20.56

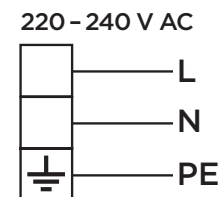
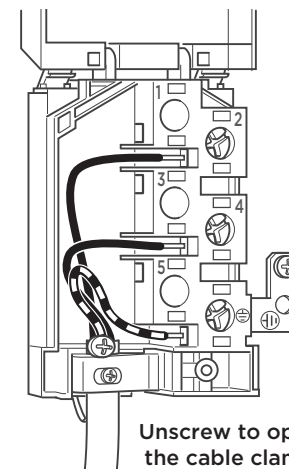
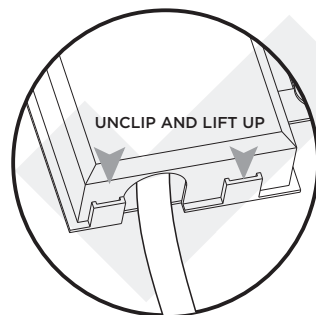
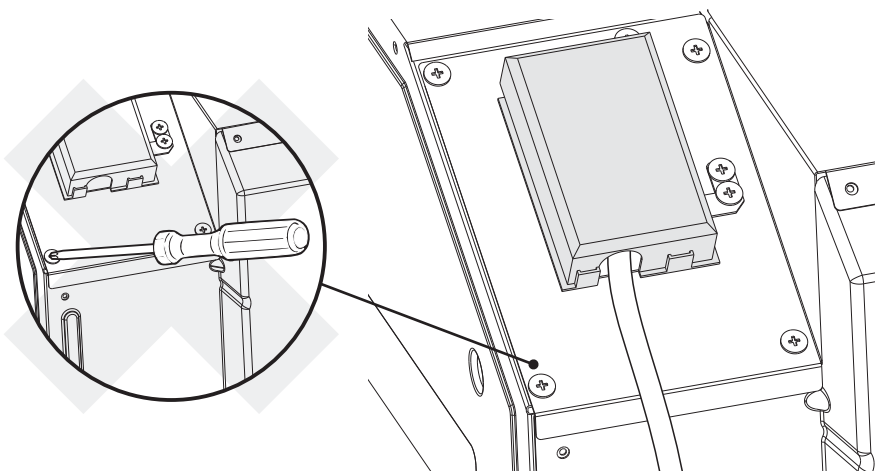
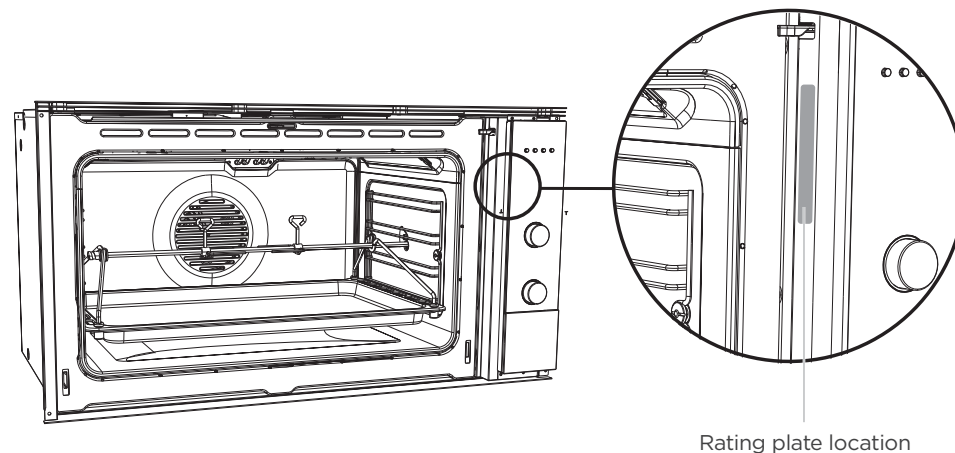
Before connecting the oven to the mains power supply, check:

- the domestic wiring system is suitable for the power drawn by the oven (as specified on the rating plate)
- the voltage corresponds to the value given on the rating plate.

We recommend that the outlet for the power supply cable is located in the right rear corner of the cabinet cavity. This allows the power supply cable to sit inside the right rear of the oven and prevents it being jammed between the cabinet wall and the rear of the oven.

### IMPORTANT!

To connect the power supply cable DO NOT unscrew the screws fixing the cover plate behind the terminal block.

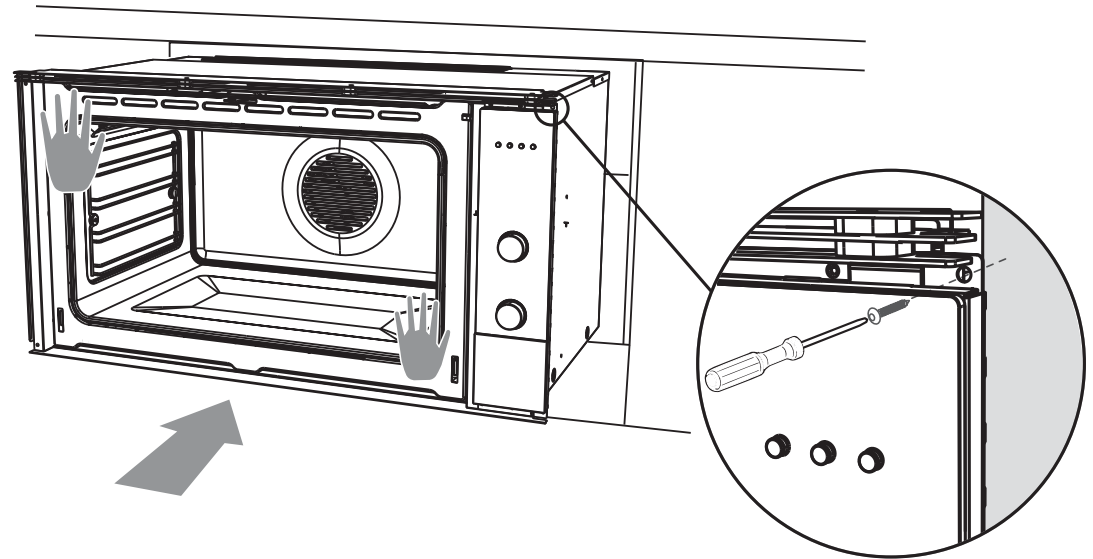


## 9 SECURE THE OVEN TO THE CABINETRY

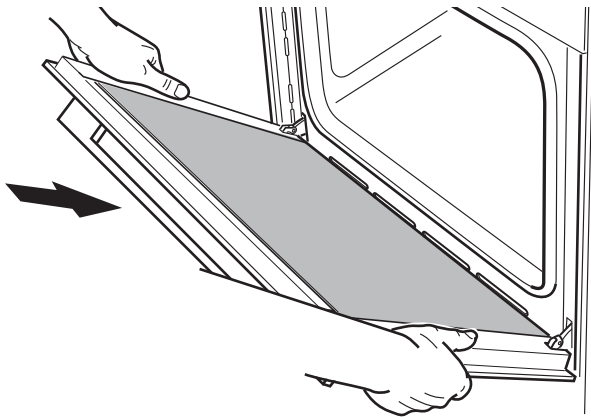
### IMPORTANT!

- Take care not to damage the upper trim of the oven or the door sensor lever.
- Do not over-tighten the screws.
- Do not seal the oven into the cabinetry with silicone or glue. This makes future servicing difficult. Fisher & Paykel will not cover the cost of removing the oven, or damage caused by this removal.

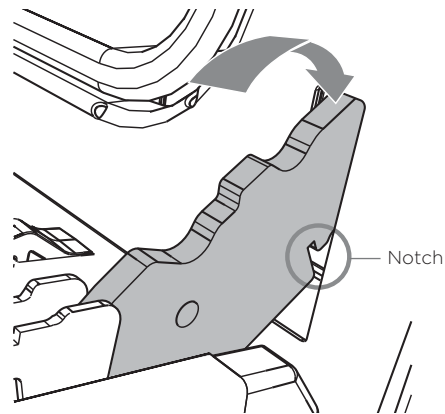
- ① Position the oven in the prepared cavity.
- ② Lift from both sides placing hands under the oven chassis.
- ③ Push oven in, ensuring you're not pushing on the vents or control panel.
- ④ Secure oven to cabinetry using supplied screws.



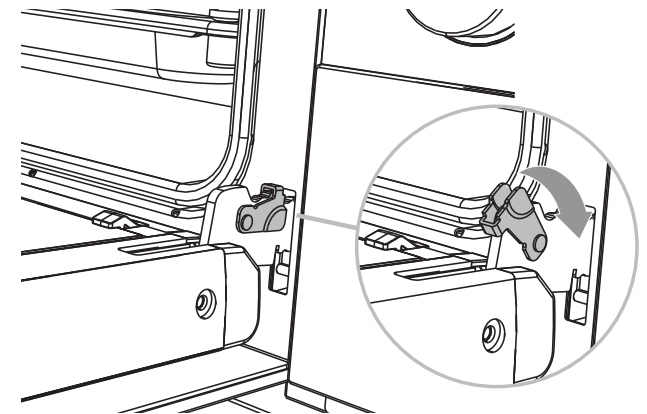
## 10 REFIT THE DOOR



- ① Hold the door firmly and insert the hinge tongues into the slots on either side.



- ② Ensure that the notices on both sides drop into the places shown before opening the door to its full extent.



- ③ Fully close the levers on the left and right hinges.
- ④ Close the door and check that it is properly in place; it should sit square to the oven vent louvres and the control panel.



✓ **IF THE APPLIANCE IS NOT FUNCTIONING CORRECTLY AFTER INSTALLATION CHECK THE FOLLOWING:**

- That the circuit breaker has not tripped or the fuse blown.
- Make sure that the electrical connections have been correctly made.
- Make sure that power is being supplied to the oven.
- Make sure the voltage is correct across all phases.
- If a problem occurs, consult the Troubleshooting section of the User Guide.
- If after checking these points you still need assistance or parts, please refer to the Service & Warranty book for warranty details and your nearest Authorised Repairer, or contact us through our local website [fisherpaykel.com](http://fisherpaykel.com)

✓ **TO BE COMPLETED BY THE INSTALLER:**

- Make sure the oven is level and securely fitted to the cabinetry and the oven door opens and closes freely.
- Make sure all the internal packaging has been removed from the oven cavity.
- Make sure all oven vents and openings are clear and are free of any obstruction/damage.

**IMPORTANT!**

**Failure to make sure all oven vents are clear may result in poor product performance.**

- Make sure the isolating switch is accessible by the customer.

**TEST OPERATION:**

- Turn the power to the oven on.  
The display should light up and show 0:00.
- Turn the oven function to 'Bake'.  
Inside the oven cavity both oven lights should come on.  
Air should blow out of the vent at the top of the oven.
- Turn the temperature to 50 °C.  
After 5 minutes, open the oven door: the air inside should feel warm.  
Turn the oven function dial back to OFF.

---

Complete and keep for safe reference:

Model	_____
Serial No.	_____
Purchase Date	_____
Purchaser	_____
Dealer Address	_____
Installer's Name	_____
Installer's Signature	_____
Installation Company	_____
Installation Date	_____



**FISHERPAYKEL.COM**

© Fisher & Paykel Appliances 2021. All rights reserved.

The models shown in this guide may not be available in all markets  
and are subject to change at any time.

The product specifications in this guide apply to the specific products and  
models described at the date of issue. Under our policy of continuous product  
improvement, these specifications may change at any time.

For current details about model and specification availability in your country,  
please go to our website or contact your local Fisher & Paykel dealer.

**591672D 08.24**