

# FISHER & PAYKEL

## FREESTANDING COOKER

---

OR36SDI6 & OR36SCI6

Induction models

INSTALLATION GUIDE

US CA

## CONTENTS

Safety and warnings	3
Parts supplied for installation	5
Tools needed for installation (not supplied with the appliance)	5
Model identification	6
Prior to installation	6
Product dimensions	7
Clearance dimensions	8
Fitting the optional backguard	9
Location of electrical supply	9
Ventilation requirements	10
Fitting the adjustable feet	11
Moving the range	12
Installing the anti-tip bracket	13
Electrical connection	15
Final checklist	17

**⚠ WARNING!**



**Electric Shock Hazard**

**Failure to follow this advice may result in electric shock or death.**

- Before carrying out any work on the electrical section of the appliance, it must be disconnected from the mains electricity supply.
- Connection to a good earth wiring system is absolutely essential and mandatory.
- Alterations to the domestic wiring system must only be made by a qualified electrician.

**⚠ WARNING!**



**Cut Hazard**

**Failure to use caution could result in injury.**

- Take care: some edges are sharp.

**⚠ WARNING!**



**Tip-Over Hazard**

**Failure to follow these instructions can result in death or serious burns to children and adults.**

A child or adult can tip the range and be killed.

- Install anti-tip device to range and/or structure per installation instructions.
- Engage the range to the anti-tip device installed to the structure.
- Re-engage anti-tip device if range is moved.

## SAFETY AND WARNINGS

---

### WARNING!

To avoid hazard, follow these instructions carefully before installing or using this appliance.

- Save these instructions for the local inspectors use.
- Please make this information available to the person installing the appliance—doing so could reduce your installation costs.
- This range is to be installed and connected to the electricity supply only by an authorized person.
- If the installation requires alterations to the domestic electrical system, call a qualified electrician. The electrician should also check that the socket cable section is suitable for the electricity drawn by the range.
- Service should only be done by authorized technicians. Technicians must disconnect the power supply before servicing this appliance.
- The range must be grounded.
- Installation must comply with your local building and electricity regulations.
- This appliance must be installed and connected to the mains power supply only by a suitably qualified person according to these installation instructions and in compliance with any applicable local building and electricity regulations.
- The manufacturer accepts no responsibility for the incorrect installation of appliances. Incorrect installation may result in personal injury, damage to property and may invalidate any warranty or liability claims
- Do not modify this appliance.
- Do not use or store flammable materials on or near this appliance
- If the power supply cable is damaged, it must be replaced by the manufacturer, its service agent or similarly qualified person in order to avoid a hazard.
- A circuit breaker is recommended.
- Do not use adaptors, reducers or branching devices to connect the oven to the mains electricity supply, as they can cause overheating and burning.
- Improper installation, adjustment alteration, service or maintenance can cause property damage, injury or death. Read the installation, operating and maintenance instructions thoroughly before using, installing or servicing this appliance.
- The appliance must not be installed behind a decorative door in order to avoid overheating.
- A risk of the appliance tipping over exists if the appliance is not installed in accordance with installation instructions.
- DO NOT obstruct the flow of ventilation air to the appliance. Be sure a fresh air supply is available.
- Check local building codes for the proper method of range installation. Local codes vary.
- Installation, electrical connections, and grounding must comply with all applicable codes.
- In the absence of local codes, the range should be installed in accordance with the latest edition of National Electrical Code ANSI/NFPA 70.
- In Canada: Electrical installation must be in accordance with the current CSA C22.1 Canadian Electrical Codes Part 1 and/or local codes.

- Some models are supplied with a protective film on steel and aluminum parts. This film must be removed before installing/using the appliance.
- Packing elements (eg plastic bags, polystyrene foam, staples, packing straps etc) and tools should not be left around during and after installation, especially if they are within easy reach of children, as these may cause serious injuries.
- Make sure you recycle the packaging material.
- Before disposing of any appliance, make sure that it can no longer be used and that all hazardous parts are removed or made harmless, so that children playing with the old appliance cannot harm themselves.

### GENERAL INSTALLATION INFORMATION

#### Cleaning and servicing

- Service should only be performed by an authorized/qualified technician.
- Disconnect the electrical supply to the appliance before servicing.
- When removing appliance for cleaning and/or service:
  - Disconnect AC power supply.
  - Carefully remove the range by pulling outward.
  - The misuse of oven door (eg stepping, sitting, or leaning on them) can result in potential hazards and/or injuries.
  - When installing or removing the range for service, a rolling lift jack should be used. Do not push against any of the edges of the range in an attempt to slide it into or out of the installation. Pushing or pulling a range (rather than using a lift jack) also increases the possibility of bending the leg spindles or the internal coupling connectors.

### IMPORTANT!

- Range is heavy; use care in handling.
- Do not lift the range by the oven door handle or hob rail, or by lifting the cooktop trim as this may damage the appliance.

#### Replacement parts

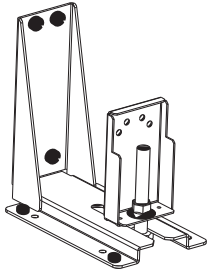
Only authorized replacement parts may be used in performing service on the range. Replacement parts are available from factory authorized parts distributors. Contact the nearest parts distributor in your area.

---

### IMPORTANT! SAVE THESE INSTRUCTIONS

The models shown in this installation guide may not be available in all markets and are subject to change at any time. For current details about model and specification availability in your country, please go to our website [www.fisherpaykel.com](http://www.fisherpaykel.com) or contact your local Fisher & Paykel dealer.

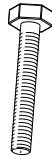
## PARTS SUPPLIED FOR INSTALLATION



Anti-tip bracket (1)



Small screws and washers (2)



Bolt (1)



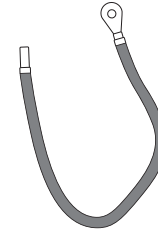
Threaded nuts (2)



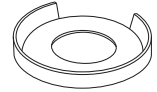
Wood screws (8)



Screws and plastic sleeve anchors (8)



Ground lead\*  
(3 wire permanent connection)



Cupped washer\*  
(4 wire permanent connection)

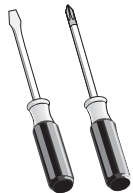
\*Can be used in US only, for Canada it is mandatory to connect the range by using cordset with plug supplied.

## TOOLS NEEDED FOR INSTALLATION (NOT SUPPLIED WITH THE APPLIANCE)

### IMPORTANT!

**THIS APPLIANCE MUST BE INSTALLED BY A QUALIFIED INSTALLER.**

- Improper installation, adjustment, alteration, services, or maintenance can cause injury or property damage. Consult a qualified installer or the service agent.
- The use of suitable protective clothing/gloves is recommended when handling or installing this appliance.



Screwdriver



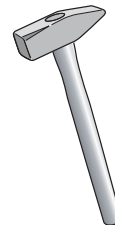
Pencil



Tape measure



Suitable protective gloves



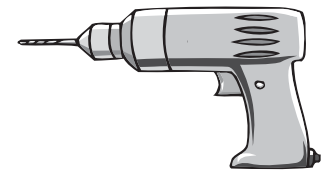
Hammer



Adjustable wrench



Adjustable pliers



Drill

## MODEL IDENTIFICATION

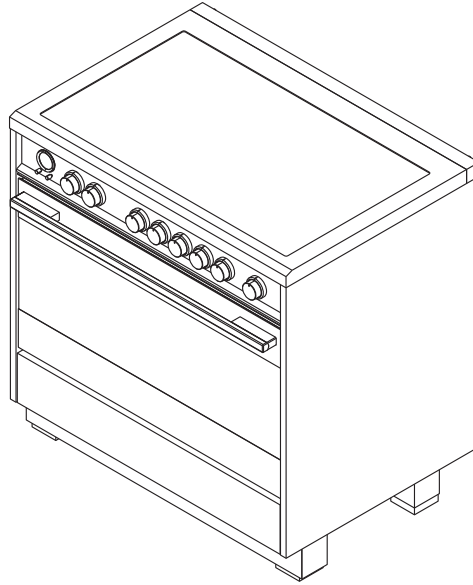
---

Model features may vary

### 36" Induction models

OR36SDI6

OR36SCI6



## PRIOR TO INSTALLATION

---

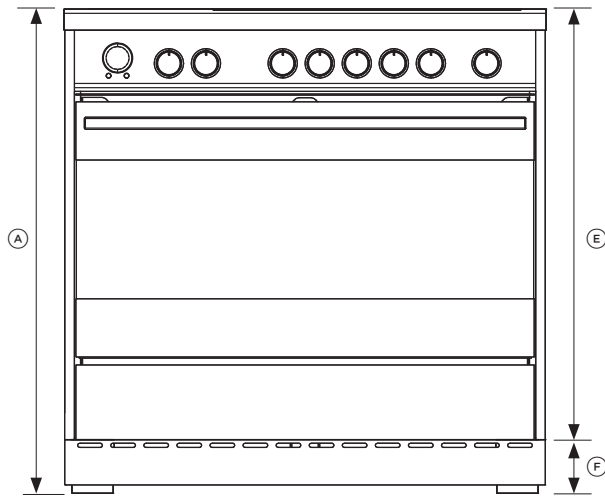
### Unpacking and handling

- Inspect the range to verify that there is no shipping damage. If any damage is detected, call the shipper and initiate a damage claim. Fisher & Paykel is not responsible for shipping damage.
- DO NOT discard any packing material until the range has been inspected.
- Remove the outer carton and any packing material from the range. Some models are supplied with a protective film on steel and aluminum parts. This film must be removed before installing or using the appliance.

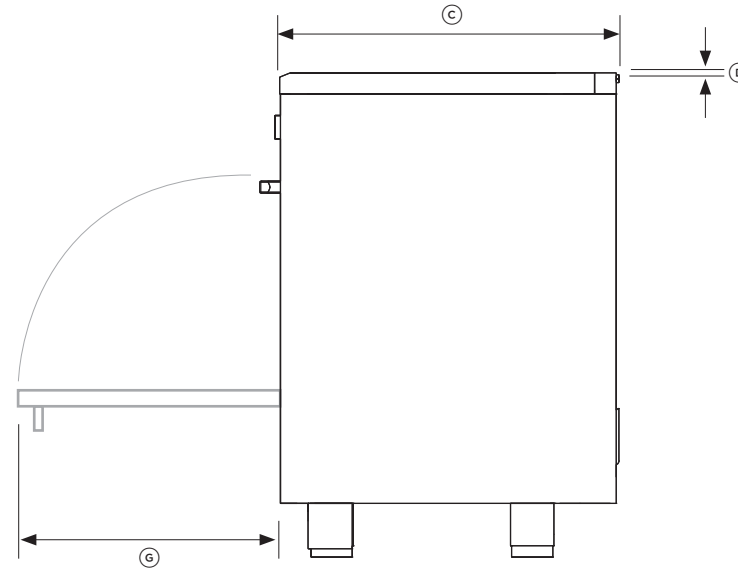
## PRODUCT DIMENSIONS

Model features may vary.

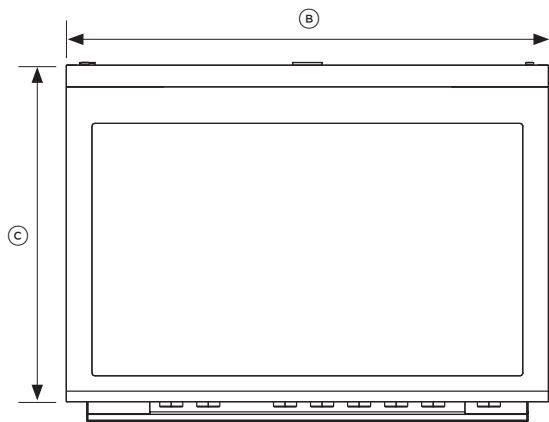
Optional kickstrip shown is available (purchased separately).



FRONT



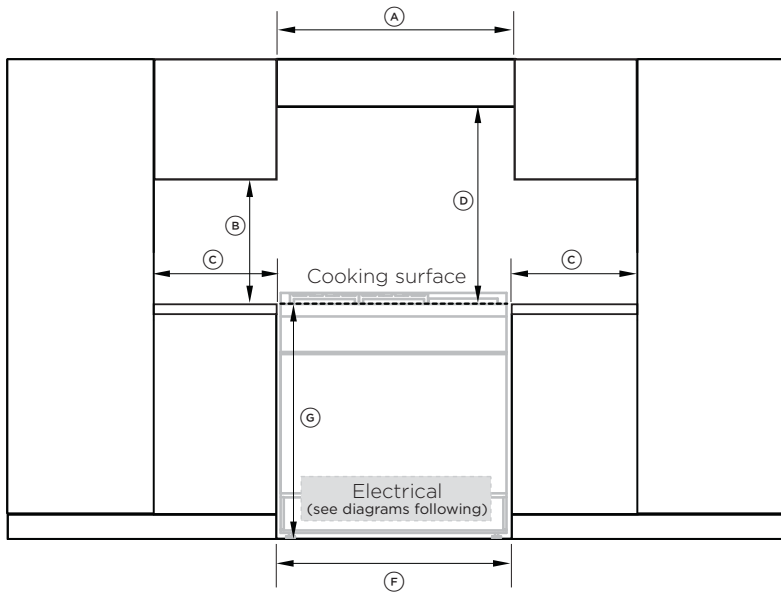
PROFILE



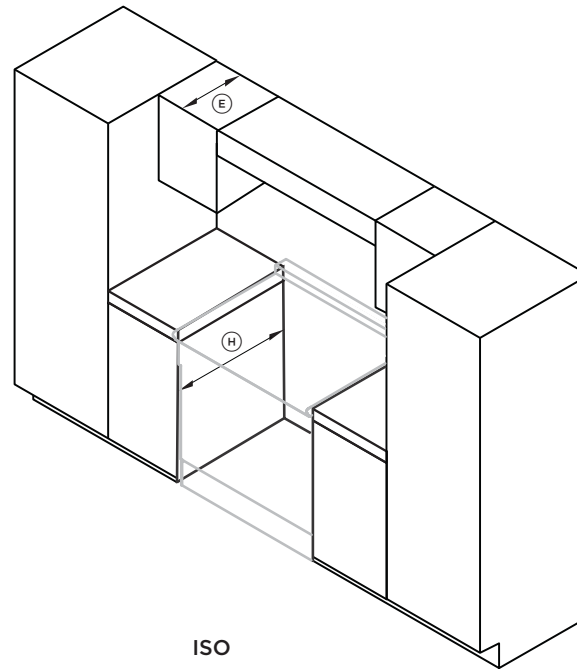
PLAN

PRODUCT DIMENSIONS	OR36SDI / OR36SCI	
	INCHES	MM
(A) Overall height of range (from floor to top of cooktop, excl. optional backguard)	min 35 3/8 max 37 1/4	min 898 max 946
(B) Overall width of range	35 7/8	911
(C) Overall depth of range (from front of range to rear of island trim/backguard, excl. handles and dials)	25 1/4	641
(D) Height from top of cooktop to top of <ul style="list-style-type: none"> <li>• Island trim (fitted)</li> <li>• Backguard (optional)</li> </ul>	Level with cooktop 3	Level with cooktop 76
(E) Height of chassis (excluding adjustable feet)	32	813
(F) Adjustable feet height	min 3 3/8 max 5 1/4	min 85 max 133
(G) Depth of open door to front of range	17 3/4	451

## CLEARANCE DIMENSIONS



FRONT



ISO

### Note #1

To eliminate the risk of burns or fire by reaching over heated surface units, cabinet storage space located above the surface units should be avoided. If cabinet storage is to be provided, the risk can be reduced by installing a rangehood that projects horizontally a minimum of 5" (127mm) beyond the bottom of the cabinets.

### Note #2

Ⓓ = 30" (762mm) minimum clearance between the top of the cooking surface and the bottom of an unprotected wood or metal cabinet; or  
 Ⓓ = 24" (610mm) minimum when bottom of wood or metal cabinet is protected by not less than 1/4"-thick flame retardant millboard covered with not less than No. 28 MSG sheet steel, 0.015"-thick stainless steel, 0.024"-thick aluminum, or 0.020"-thick copper.

### Note

- This range may be installed directly adjacent to existing 36" (914mm) high base cabinets.
- If the range is to be placed adjacent to cabinets, the clearances shown are required. The same clearances apply to island installations.
- The range can be placed in various positions with respect to the cabinet front, with the control panel either flush or projecting, depending on the cabinetry depth.
- The electrical supply should be within the zones shown in the following diagrams.
- Any openings in the wall behind the range and in the floor under the range must be sealed.
- Always keep the appliance area clear and free from combustible materials, gasoline and other flammable vapors and liquids.
- Do not obstruct the flow of ventilation air to the unit.

### CLEARANCE DIMENSIONS

	OR36SDI / OR36SCI	
	INCHES	MM
Ⓐ Minimum width of ventilation hood installed above range	36	914
Ⓑ Minimum vertical distance between countertop and cabinet extending above counter	18	457
Ⓒ Minimum clearance from left and right edge of range to nearest vertical combustible surface	2	50
Ⓓ Minimum clearance from cooking surface to:		
• Overhead cabinet centered above the cooktop (combustible/unprotected) (see notes #1, #2)	30	762
• Overhead cabinet centered above the cooktop (non-combustible/protected) (see notes #1, #2)	24	610
• Ventilation hood** centered above the cooking surface	24	610
Ⓔ Maximum depth of overhead cabinetry	13	330
Ⓕ Width of cabinetry opening	36	914
Ⓖ Maximum height of cabinetry immediately adjacent to the range (from floor to countertop)*	37 1/4	946
Ⓗ Maximum depth from wall to cabinetry face	25 1/4	641

\*Depending on the height of the feet adjustment. The cooking surface must sit flush or above countertop level.

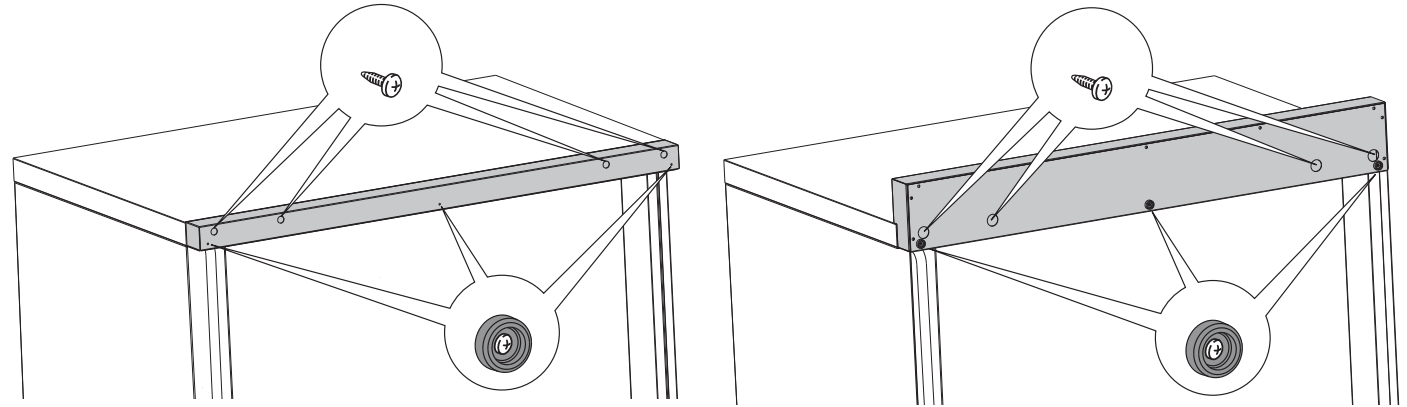
\*\*Refer to local/national codes for ventilation requirements.



## FITTING THE OPTIONAL BACKGUARD

### Island trim and backguard

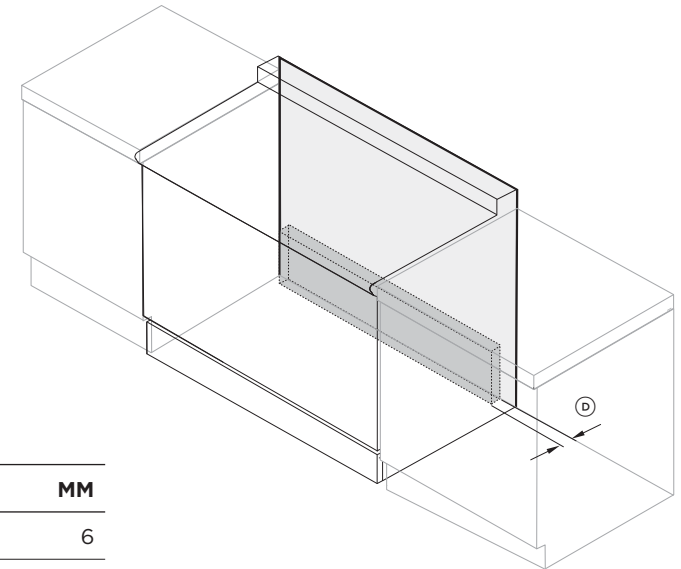
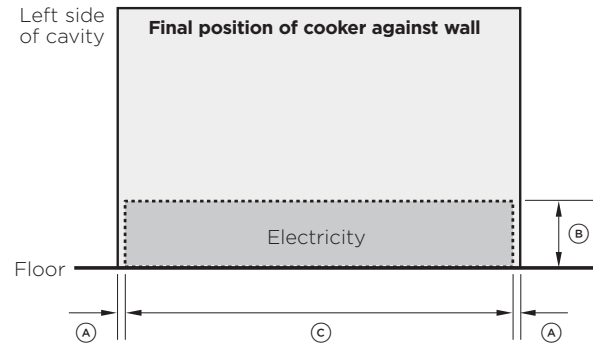
- It is mandatory to install and use the range with either the island trim or the optional backguard correctly in place.
- The island trim is already fitted to the range while the backguard can be purchased as a separate kit.
- If replacing the island trim with the backguard, assemble it by using the same screws/spacers used for fixing the island trim.



## LOCATION OF ELECTRICAL SUPPLY

### Grounded outlet

The electric cord with 4-prong ground plug (NEMA 14-50P) shall have a minimum length of 48" (1220mm) beyond the back of the range.



### SUPPLY AREA DIMENSIONS

	INCHES	MM
Ⓐ Distance from either edge of Range to supply area	1/4	6
Ⓑ Height of electrical supply area (from floor)	8 1/8-10 1/8	207-257
Ⓒ Width of electrical supply areas	35 3/8	899
Ⓓ Depth of supply area (ie maximum protrusion of electrical connection from wall)	4 1/2	115

## VENTILATION REQUIREMENTS

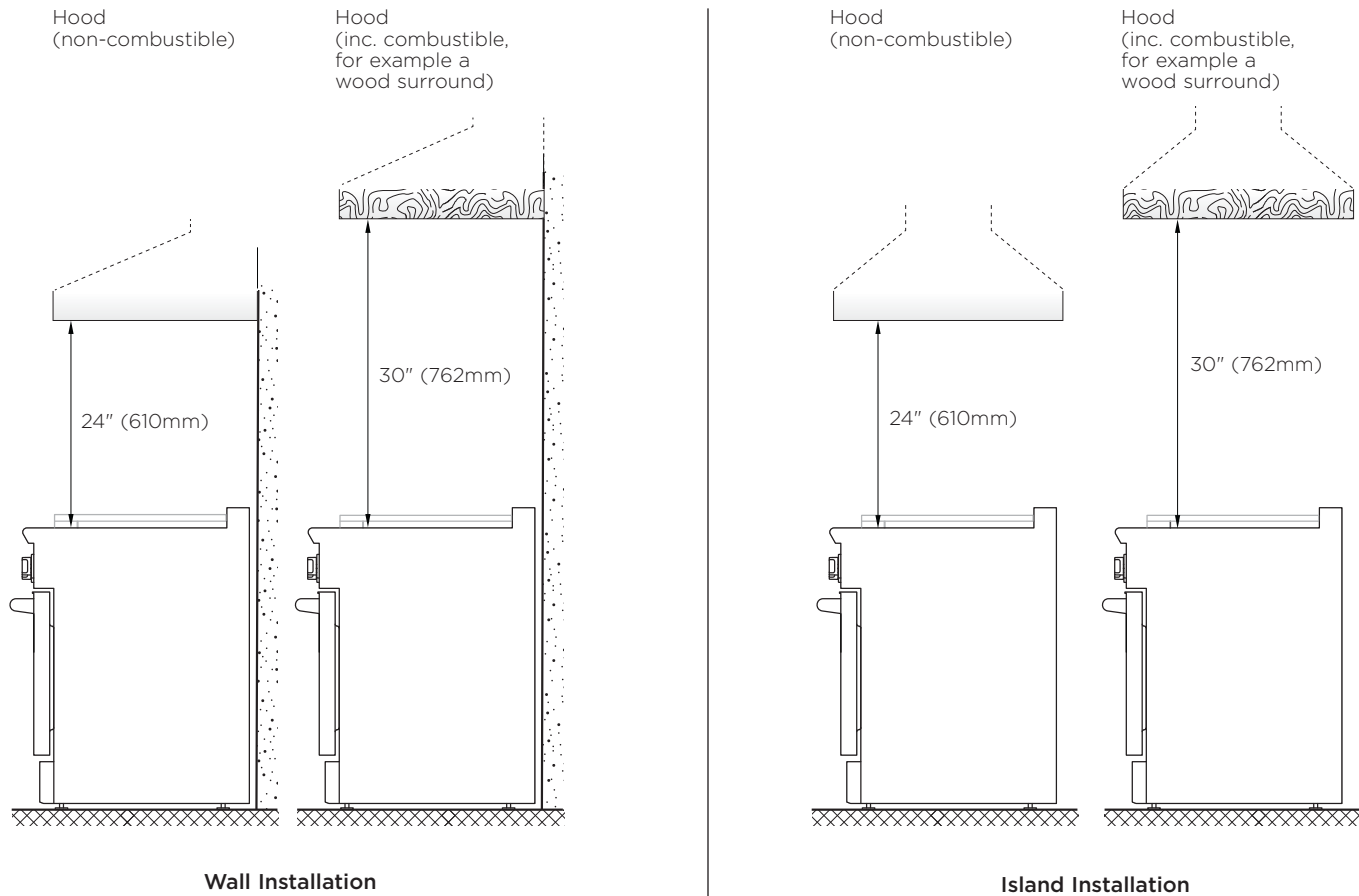
A suitable ventilation hood may be installed above the range.

Fisher & Paykel has a choice of ventilation hoods designed to match the rest of our kitchen appliance family.

See [fisherpaykel.com](http://fisherpaykel.com) or your local dealer for more details.

### IMPORTANT

- Consult local building codes and/or local agencies, before starting, to ensure that hood and duct installation will meet local requirements.
- Hood blower speeds should be variable to reduce noise and loss of heated or air conditioned household air when maximum ventilation is not required. Normally, the maximum blower speed is only required when grilling or using the self-cleaning cycle.
- If a custom hood canopy contains any combustible materials (eg a wood covering) it must be a minimum of 30" (762mm) above the cooking surface.
- Due to a high volume of ventilation air, a source of make-up air (outside replacement air) that complies with local codes and regulations is required.



## FITTING THE ADJUSTABLE FEET

### Fitting the adjustable feet

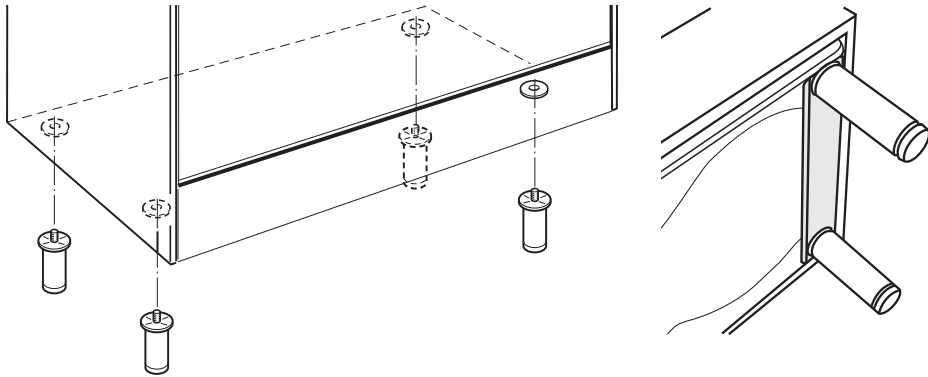
The adjustable feet must be fitted to the base of the range before use.

Rest the rear of the range on a piece of the polystyrene packaging exposing the base for the fitting of the feet.

### IMPORTANT

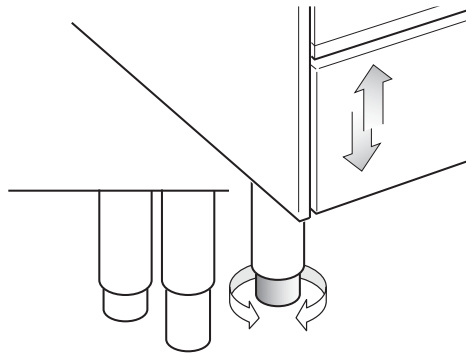
Take care not to damage the range during this operation.

Fit the four legs by screwing them tight into the support base as shown.



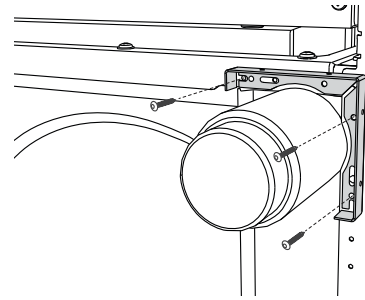
### Levelling the range

- The range may be levelled by screwing the lower ends of the feet IN or OUT.
- Small adjustments may be made to the range in the upright position, however it may be necessary to tip the range again to make larger adjustments.

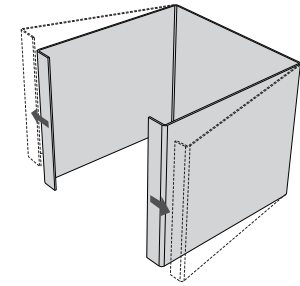


### Fitting the adjustable (front) feet covers (optional)

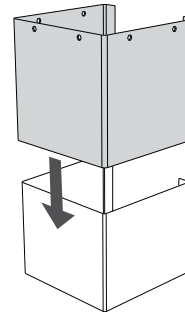
If using the adjustable feet covers fit these while the range is tipped over.



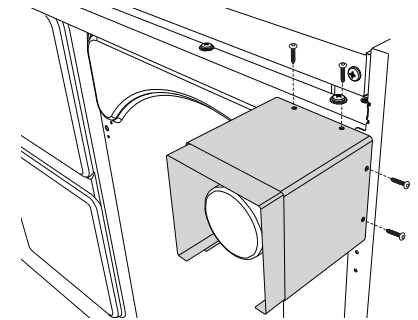
- ① Tip range onto its back and fix brackets to mounting holes.



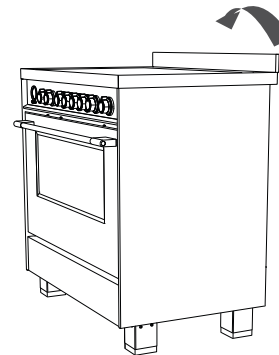
- ② Gently bend the sides of the inner panels outwards to tension.



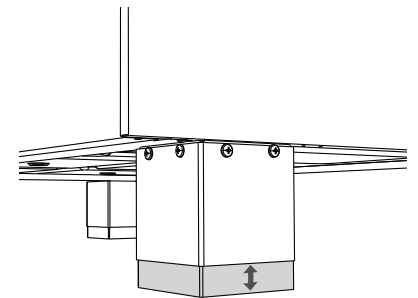
- ③ Slot the outer panels over the tensioned inner panels.



- ④ Secure covers to brackets using the provided screws.



- ⑤ Stand range back upright.

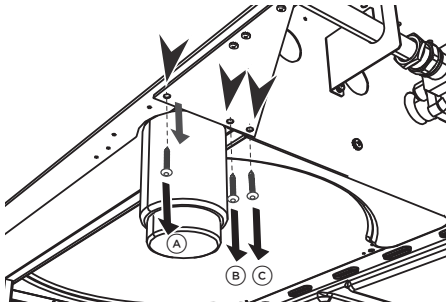


- ⑥ Adjust the inner panels of the foot covers to suit height of range feet.

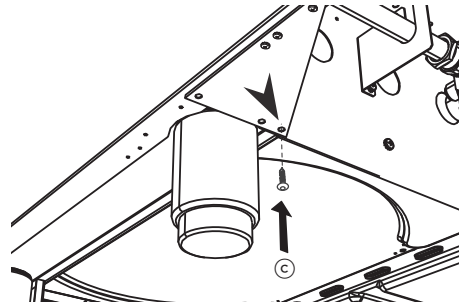
## FITTING THE ADJUSTABLE FEET

### Fitting the adjustable (rear) foot covers (optional)

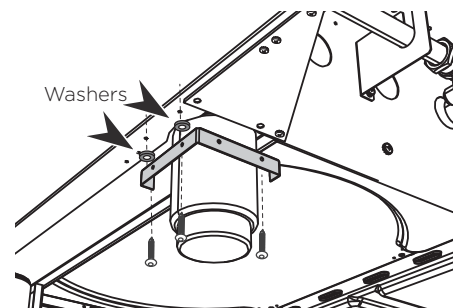
If installing rear foot covers use the following instructions to attach the mounting brackets to the base of the range.



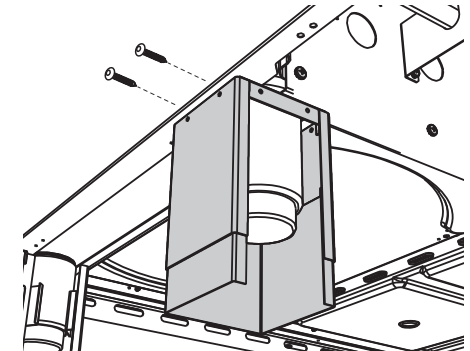
- ① Remove screws A, B and C from the plate on the base of the range.



- ② Replace screw C with one of the screws supplied with the feet covers.
- This screw must be replaced before attaching the mounting bracket to the base of the range.



- ③ Attach the mounting bracket to the base of the range using the supplied screws.
- Ensure the two supplied washers are fitted between the rear edge of the bracket and the base of the range (as shown).

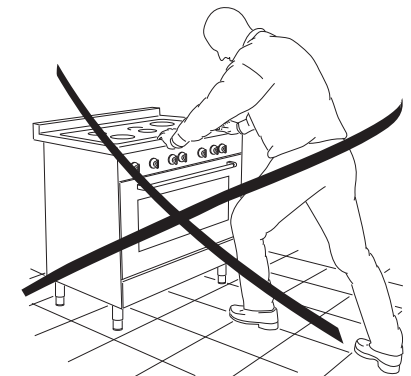
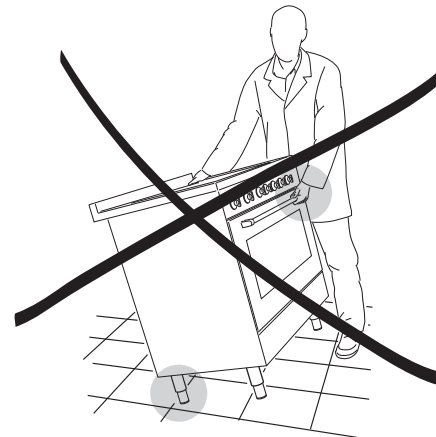
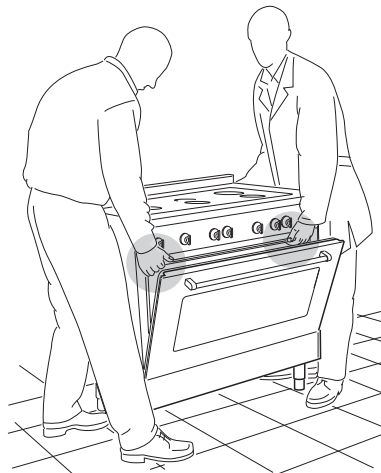


- ④ Secure covers to brackets using the provided screws.

## MOVING THE RANGE

### IMPORTANT!

- When raising the range to upright position always ensure two people carry out this manoeuvre to prevent damage to the adjustable feet.
- **BE CAREFUL:** do not lift the range by the oven door handle, the hob rail or the cooktop trim as this may damage the appliance.
- When moving range to its final position **DO NOT DRAG**. Lift feet clear of floor.



## INSTALLING THE ANTI-TIP BRACKET

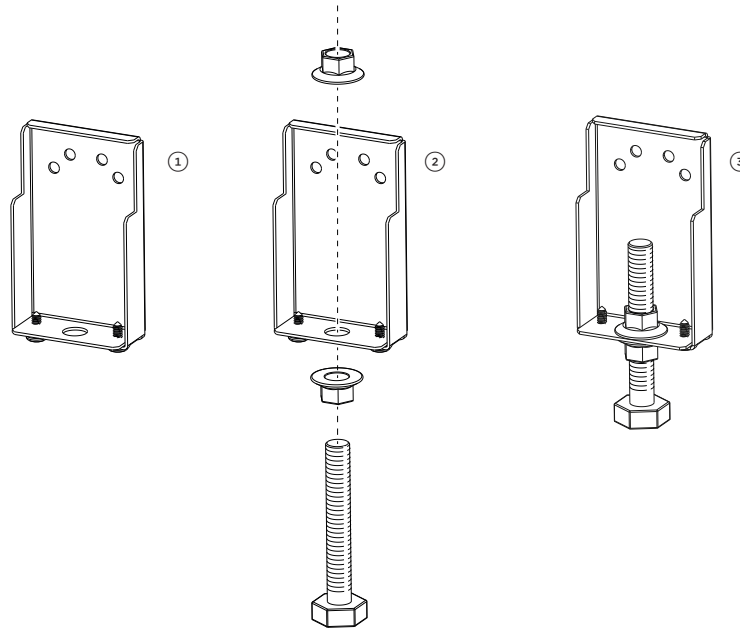
The anti-tip bracket has two components:

- the adjustable bracket
- the stability bracket

### IMPORTANT!

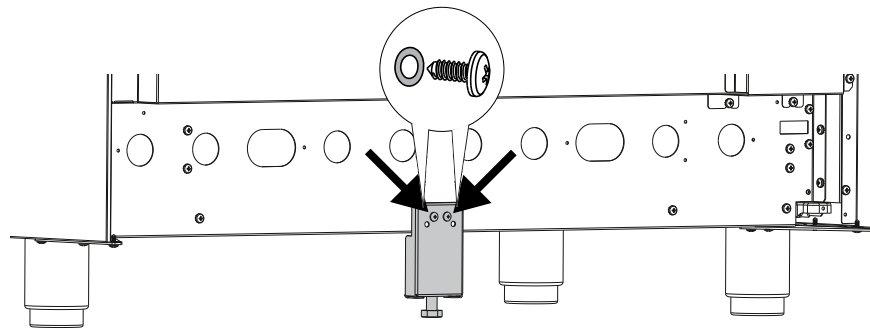
You must install both parts of the anti-tip bracket and ensure they are properly fitted together to prevent the range from tipping.

#### Fit the anti-tip bracket



- ① Thread the bolt through the adjustable bracket and fix in place using the two supplied nuts. Ensure the nuts are well tightened.

- ② Fix the adjustable bracket to the back of the range (centered on the lower edge) using the two supplied screws and washers.

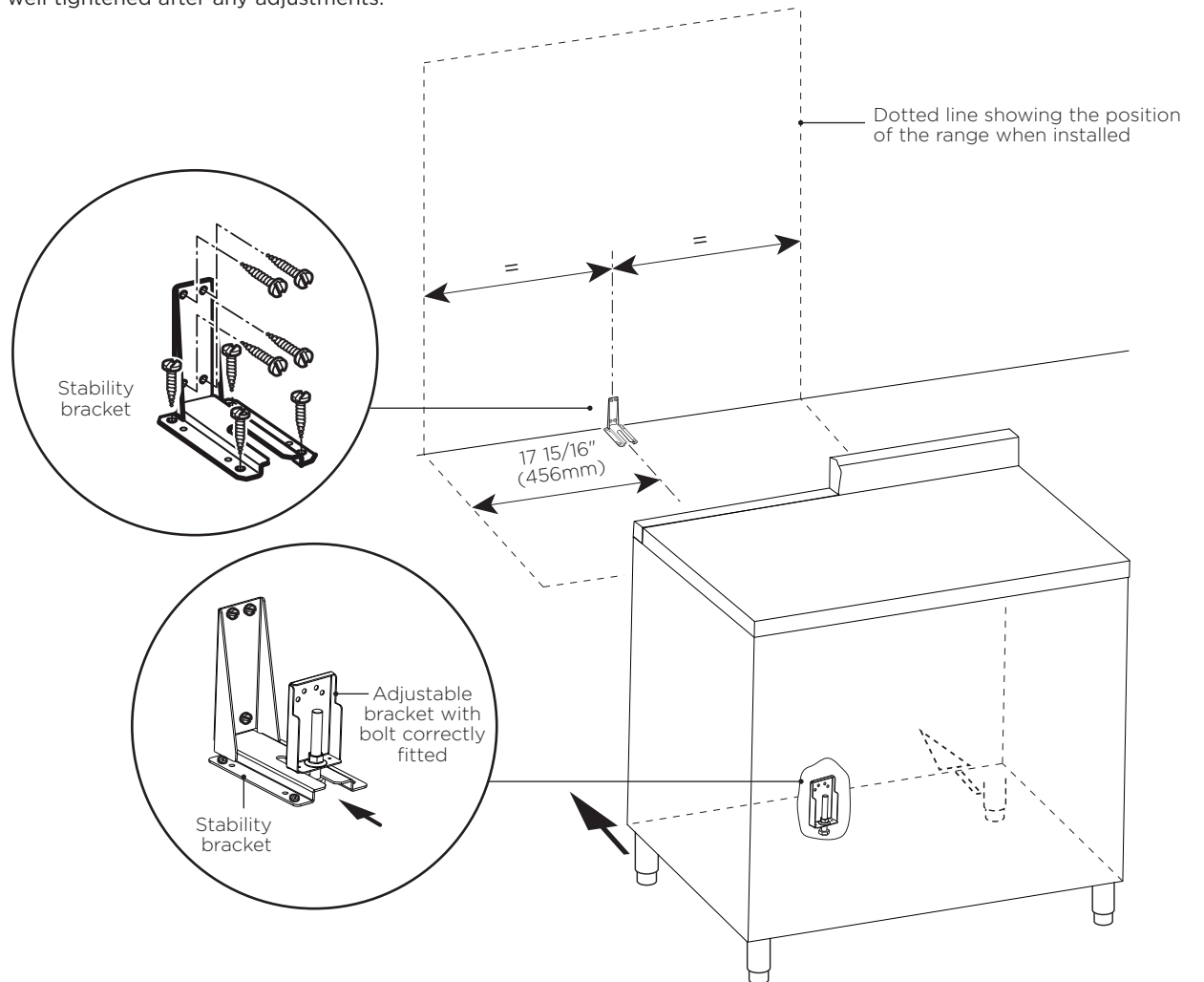


## INSTALLING THE ANTI-TIP BRACKET

### IMPORTANT!

- Use the proper screws to fix the stability bracket in place according to the type of material on the floor and/or wall.
- Before drilling and holes or inserting any screws into the floor or wall check that you will not damage any wiring or pipes.

- ③ Fix the stability bracket in place. It can be fixed as follows:
- To the floor OR on the rear wall by #4 screws (supplied).
  - To the floor AND on the rear wall by #8 screws (supplied).
  - There are 8 x wood screws and 8 x screws with plastic sleeve anchors supplied with the range in two separate kits. Use the proper screws according to the type of material on the floor and/or wall.
  - If using the the plastic sleeve anchors: drill 5/16" (8mm) diameter holes and insert the supplied plastic sleeve anchors before attaching the stability bracket with the screws.
- ④ Slide the range into place, ensuring the bolt on the adjustable bracket slots under the stability bracket.
- Adjust the length of the bolt as necessary. Ensure the two nuts are well tightened after any adjustments.



## ELECTRICAL CONNECTION

### ⚠ WARNING!



#### Electrical Shock Hazard

Failure to follow these instructions can result in death, fire, or electrical shock.

Electrically ground range.

### ⚠ WARNING! VERY IMPORTANT

To avoid electrical shock hazard, before installing the appliance, switch power OFF at the service panel and lock the panel to prevent the power from being switched on accidentally.

### IMPORTANT!

This range must be connected to the electricity supply only by an authorised person.

Your range is supplied with a certified 4 prong NEMA 14-50P power cord for your protection against shock hazard and should be plugged directly into a properly grounded socket.

- Do not under any circumstances cut or remove the fourth (ground) prong from the power plug.
- Do not ground to a gas pipe.
- Do not have a fuse in the neutral or ground circuit.
- Do not use an extension cord.

Check with a qualified electrical installer if you are not sure if the range is properly grounded.

- If codes permit, and a separate ground wire is used, it is recommended that a qualified electrical technician determines the ground path and wire gauge are in accordance with local codes.

Be sure that the electrical connection and wire size are adequate and in conformance with:

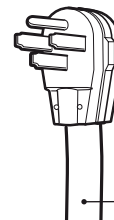
- ANSI/NFPA 70 latest addition and local codes and ordinances.
- CSA standard C22.1, Canadian Electrical Code, Part 1— latest edition and local codes and ordinances.

#### Replacing the power cord

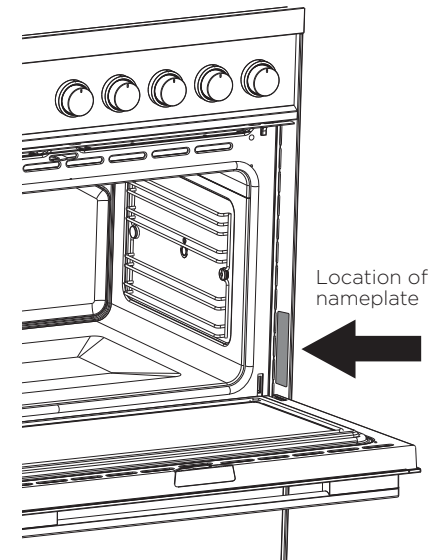
- Replacements should only be made by qualified electrical technicians.
- If replacing the power cord, use only a suitable UL or CSA approved one.
- Tighten the power cord using the power cord strain relief bracket supplied with the appliance.
- Allow enough slack to easily attach the cord terminals to the terminal block.

VOLTAGE AND POWER CONSUMPTION	SERVICE
AC 120/208 V 60 Hz 11600 W	40A
AC 120/240 V 60 Hz 15500 W	40A
Induction power = 11100 W Max	

Standard NEMA 14-50R wall receptacle



Power supply cord with NEMA 14-50P plug



Location of nameplate

## ELECTRICAL CONNECTION

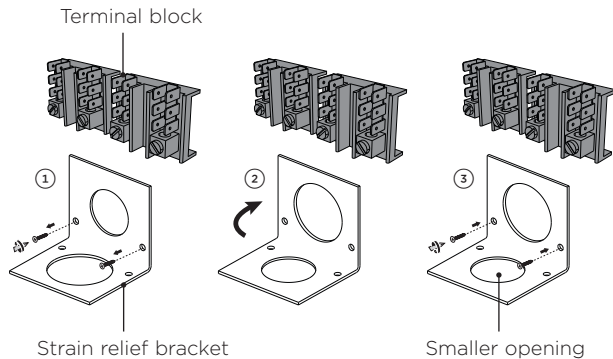
### PERMANENT CONNECTION (HARD WIRING)

**US only, for Canada it is mandatory to connect the range by using cordset with plug supplied.**

Units may be hard wired to the power supply. The installer must provide approved flexible aluminium conduit, 3/4" (19mm) trade size, maximum 6ft (1.8m) long. Locate the terminal block on the rear of the unit and remove access cover.

The strain relief bracket orientation must be switched in order to accommodate for a permanent wiring connection:

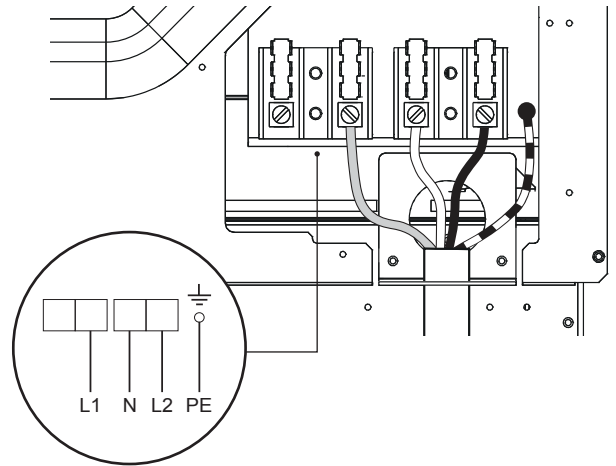
- ① Remove the factory supplied power cord with plug.
- ② Remove the 2 screws on the bracket.
- ③ Re-secure bracket with the 2 screws so that the 1 1/8" (29mm) smaller opening is facing down.



- The conduit must be installed to the terminal block using an approved conduit connector. The free end of the conduit must be connected to a junction box provided in the electrical supply zone.
- Mount a strain relief (not provided) into the 1 1/8" (29mm) diameter hole located below the terminal block. Wiring for the unit is to be brought into the terminal block through the conduit and through the strain relief. Make suitable connections to the terminal block provided.
- **Installer — Show the owner the location of the circuit breaker. Mark it for easy reference.**

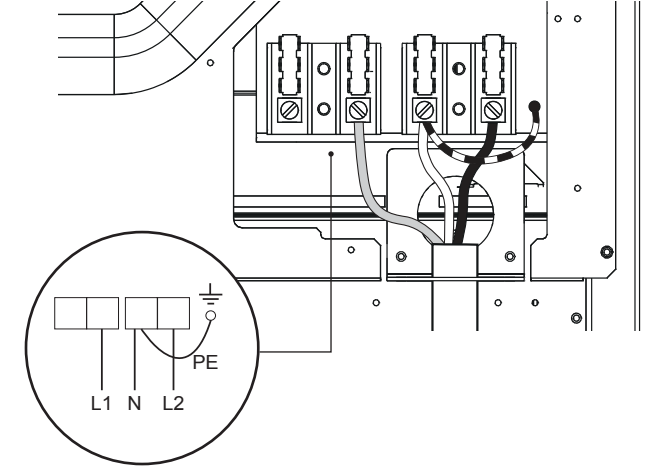
### 4-Wire Connection

- ① Loosen the L1 (red), L2 (black) and neutral (white) screws.
- ② Mount the conduit fitting to the 1 1/8" (29mm) hole in the strain relief bracket.
- ③ Secure the neutral (white) power lead to the center terminal and tighten the screw.
- ④ Secure the L1 (red) and the L2 (black) power leads to the terminals immediately to the left (L1) and right (L2) of the neutral terminal. Tighten the screws.
- ⑤ Secure the Ground (green) lead to the green screw located to the right of the terminal block using the supplied cupped washer. The end of the grounding conductor must be retained by the cupped washer.
- ⑥ Check all connections are securely tightened.
- ⑦ Reinstall the Terminal Block cover.



### 3-Wire Connection (using supplied Ground lead)

- ① Loosen the L1 (red), L2 (black) and neutral (white) screws.
- ② Mount the conduit fitting to the 1 1/8" (29mm) hole in the strain relief bracket.
- ③ Secure the supplied Ground (green) lead to the grounding screw to the right of the terminal block.
- ④ Secure the Neutral (white) power lead together with the free end of the Ground (green) lead to the center terminal. Tighten the screw.
- ⑤ Secure the L1 (red) and the L2 (black) power leads to the terminals immediately to the left (L1) and right (L2) of the neutral terminal. Tighten the screws.
- ⑥ Check all connections are securely tightened.
- ⑦ Reinstall the Terminal Block cover.





## FINAL CHECKLIST

---

### TO BE COMPLETED BY THE INSTALLER

#### GENERAL

- Placement of unit.
- Specified clearance maintained to cabinet surfaces.
- Unit Level—front to back, side to side.
- All packaging material and tie straps removed.
- Island trim or optional backguard correctly attached.
- The anti-tip bracket is correctly installed.

#### ELECTRICAL

- Adequate ground connection.

#### OPERATION

- All internal packing materials removed. Check inside the oven.
- Dials turn correctly and freely.
- Oven and cooktop displays are functioning correctly and oven and cooking zones can be turned on.
- Oven door hinges seated and door opens and closes properly.

---

Complete and keep for safe reference:

Model \_\_\_\_\_

Serial No. \_\_\_\_\_

Purchase Date \_\_\_\_\_

Purchaser \_\_\_\_\_

Dealer Address \_\_\_\_\_

Installer's Name \_\_\_\_\_

Installer's Signature \_\_\_\_\_

Installation Company \_\_\_\_\_

Installation Date \_\_\_\_\_

**FISHERPAYKEL.COM**

© Fisher & Paykel Appliances 2024. All rights reserved.

The models shown in this guide may not be available in all markets  
and are subject to change at any time.

The product specifications in this guide apply to the specific products and  
models described at the date of issue. Under our policy of continuous product  
improvement, these specifications may change at any time.

For current details about model and specification availability in your country,  
please go to our website or contact your local Fisher & Paykel dealer.

**591509G 06.24**