

FISHER & PAYKEL

INDUCTION COOKTOP, 83CM,
WITH INTEGRATED VENTILATION

Details for Design Planning
CID834DTB4

DATA SHEET & PLANNING GUIDE
NZ AU SG

FISHER & PAYKEL

PLANNING GUIDE

Induction Cooktop, 83cm, with Integrated Ventilation

This Planning Guide outlines the venting options and cabinetry guidelines for the Induction Cooktop, 83cm, with Integrated Ventilation. This document includes product and part dimensions to allow design and planning specific to individual installation requirements.

Cabinetry dimensions and construction contained in this document are a guideline only and will need to be adapted to suit specific location, cabinetry materials and construction methods.

For installation instructions please refer to the installation manual.

GENERAL DUCTING CONSIDERATIONS

- Shortest ducting length with fewest bends will give best extraction performance*
- Venting downwards is more efficient than venting upwards
- Ensure all duct components are tightly sealed together during installation to stop air loss

*Ducting length of 6m with x4 bends does not noticeably reduce extraction performance

RECIRCULATED DUCTING REQUIREMENTS

- Use of multiple filter boxes is recommended (Recirculation Kit contains x2, can use x1 or purchase additional kits)
- Recirculation filters slow air flow and can reduce extraction performance compared to vented installations**
- Use of multiple filter boxes increases airflow and improves extraction performance
- Locate recirculation outlets for ease of accessibility for filter removal.
- Recirculation filters need to be refreshed every 3-6 months (x1 filter box) / 6-12 months (x2 filter box)***
- Recirculation outlet is at a persons foot height so consider placing away from high use workspaces.

**Dependant on length of installation, number of bends, ducting direction

*** Time is dependant on frequency of cooking and food type

DATE: 05.07.2022

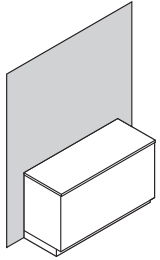
IMPORTANT NOTE: Throughout this guide, dimensions may vary by $\pm 2\text{mm}$ (1/16"). Please read the installation manual for detailed information on installing the product. For full installation instructions & specifications visit fisherpaykel.com



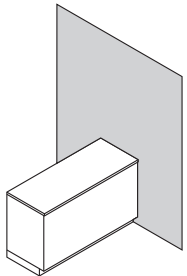
KEY PRODUCT DECISIONS

1

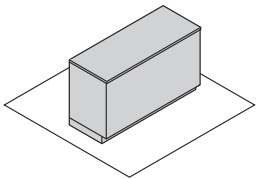
POSITION



BACK TO WALL



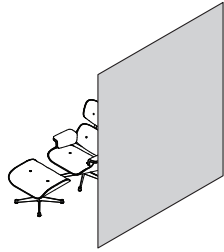
PENINSULA



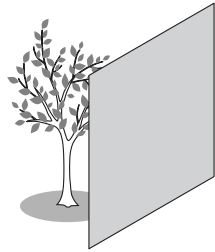
ISLAND

2

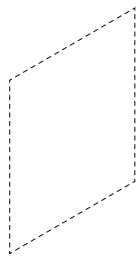
WALL



INTERNAL WALL



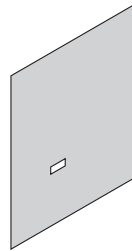
EXTERIOR WALL



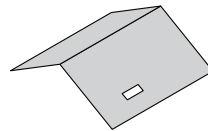
NO WALL

3

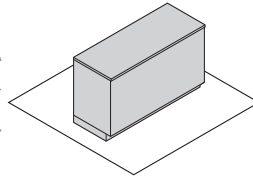
DUCTING



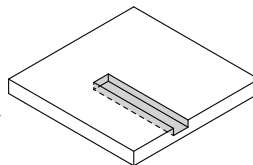
THROUGH WALL



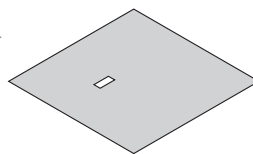
ROOF / SOFFIT



WITHIN CABINETY



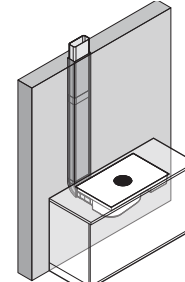
FLOOR CHANNEL



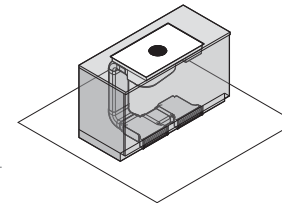
THROUGH FLOOR UNDER FLOOR / BASEMENT SPACE

4

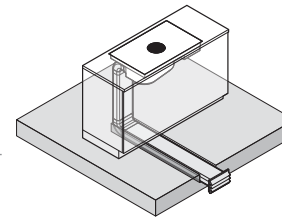
INSTALLATION



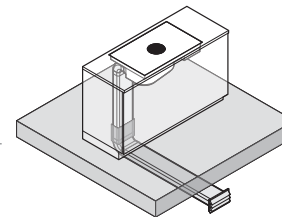
UP + VENTED



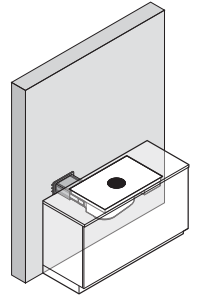
DOWN + RECIRCULATED



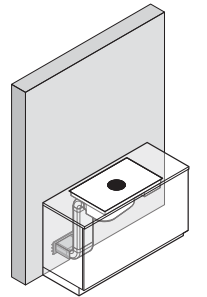
DOWN, IN + VENTED



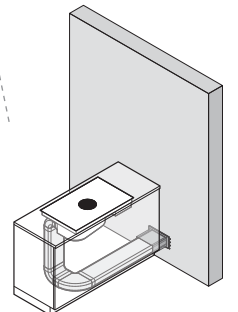
DOWN, UNDER + VENTED



STRAIGHT OUT VENTED



DOWN + VENTED

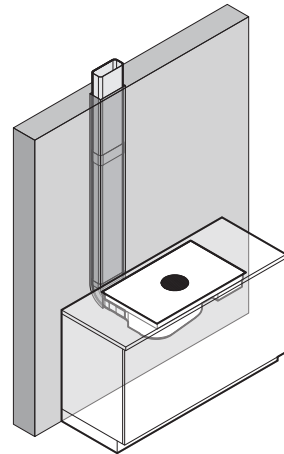


DOWN, ALONG + VENTED

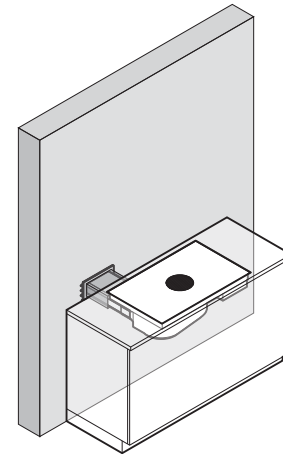
VENTED DUCTING CONSIDERATIONS

PLEASE NOTE :

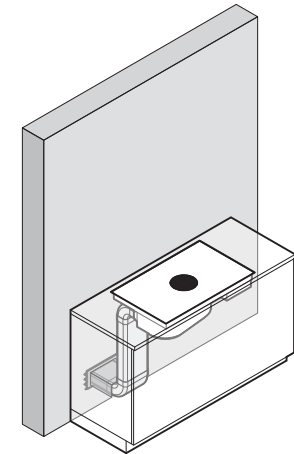
These are representational illustrations of cabinetry to show ducting options and provide guideline minimum benchtop depths. Benchtop depths are driven by ducting depth requirements within the cabinetry. Refer page 'Bench Depth Overview - Duct Down' for cabinetry overview and generic cabinetry dimensions used for these examples. Benchtop dimensions and cabinetry design should be adapted to suit requirements specific to location, materials and construction methods.



UP + VENTED



STRAIGHT OUT VENTED



DOWN + VENTED

ADVANTAGES

CONSIDERATIONS

BENCH TYPE

MIN BENCH DEPTH*

SUPPLIED PARTS

90° Vertical Elbow (x2)

15° Bend (x4)

500mm Straight Ducting

OPTIONAL PARTS

1M Straight Ducting D1-C-222-8

222 x 89 Connector D1-C-222-8

90° Horizontal Elbow E90-H-222-89

90° Vertical Elbow E90-V-222-89

Adapter DA-219-98-150

Stainless Steel Grille DO-G-SS

Recirculation Kit KR CID834

OTHER PARTS - non F&P

UP + VENTED

Minimal impact on cabinetry

Optimised cabinetry

Full depth under bench storage

Decreased extraction performance due to venting upwards

105mm D x 235mm W cavity required in wall to route ducting

Back to Wall

600mm*

x1

•

• quantity dependant on ducting requirements

• quantity dependant on ducting requirements

• optional, dependant on roof cavity ducting

roof cavity ducting, duct out (roof, soffit etc)

STRAIGHT OUT VENTED

Minimal impact on cabinetry

Optimised cabinetry

Full depth under bench storage

Best extraction performance of all setups

Height of outlet determined by cooktop

Visual impact of vent location

Back to Wall

600mm*

•

•

•

DOWN + VENTED

No minimum kick height

Height of external outlet adaptable to requirements

105mm deep space required down back of cabinet

Reduced under bench storage depth

Back to Wall

600mm*

x2

•

•

* Refer page 'Bench Depth Overview - Duct Down'

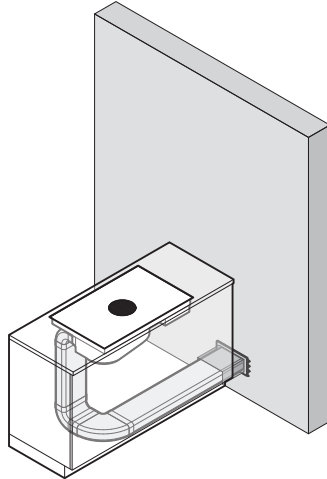
** Dimensions relational, refer page 'Rear Clearance Relationship to Kick Height' for details

VENTED DUCTING CONSIDERATIONS

PLEASE NOTE :

These are representational illustrations of cabinetry to show ducting options and provide guideline minimum benchtop depths. Benchtop depths are driven by ducting depth requirements within the cabinetry. Refer page 'Bench Depth Overview - Duct Down' for cabinetry overview and generic cabinetry dimensions used for these examples. Benchtop dimensions and cabinetry design should be adapted to suit requirements specific to location, materials and construction methods.

THRU BASE - DOWN, ALONG + VENTED



THRU BASE - DOWN, ALONG + VENTED

Confined to cabinetry
Discreet vent outlet height

105mm deep space required down back of cabinet **
Reduced under bench storage depth
100mm minimum toe kick height **
Cabinetry feet may need relocating

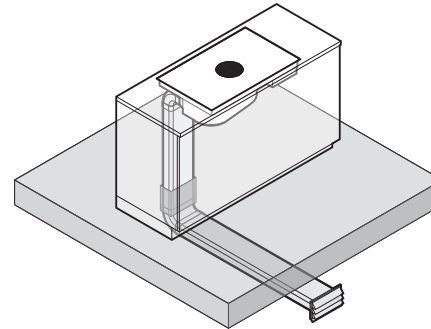
Peninsula - left or right
600mm*

x2

-
- quantity dependant on length requirements
- quantity dependant on length requirements
- x1

•

THRU FLOOR - DOWN, UNDER + VENTED



THRU FLOOR - DOWN, UNDER + VENTED

Multi-directional - left, right, front, back
Allows for Island Bench duct out
No minimum kick height

105mm depth space required down back of cabinet
Reduced under bench storage depth
Below floor access required
Any flooring type

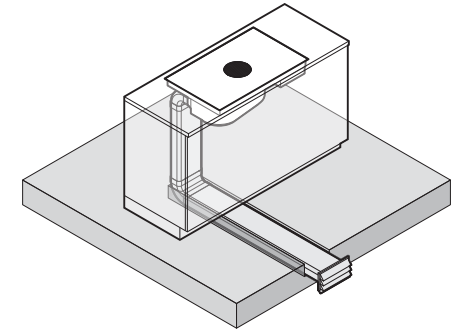
Island, Peninsula, Back to Wall
600mm*

x2

-
- quantity dependant on length requirements
- quantity dependant on length requirements

•

IN FLOOR - DOWN, IN + VENTED



IN FLOOR - DOWN, IN + VENTED

Multi-directional - left, right, front, back
Allows for Island Bench duct out
No minimum kick height

105mm depth space required down back of cabinet
Reduced under bench storage depth
Channel required in floor (DO NOT encase F&P parts in concrete)
Flooring must be able to cover channel - tiles, timber

Island, Peninsula, Back to Wall
600mm*

x2

-
- quantity dependant on length requirements
- quantity dependant on length requirements

•

ADVANTAGES
CONSIDERATIONS
BENCH TYPE
MIN BENCH DEPTH*
SUPPLIED PARTS
90° Vertical Elbow (x2)
15° Bend (x4)
500mm Straight Ducting
OPTIONAL PARTS
1M Straight Ducting D1-C-222-8
222 x 89 Connector
90° Horizontal Elbow E90-H-222-89
90° Vertical Elbow E90-V-222-89
Adapter DA-219-98-150
Stainless Steel Grille DO-G-SS
Recirculation Kit KRCD834
OTHER PARTS - non F&P

* Refer page 'Bench Depth Overview - Duct Down' for generic benchtop and cabinetry dimensions

** Dimensions relational, refer page 'Rear Clearance Relationship to Kick Height' for details

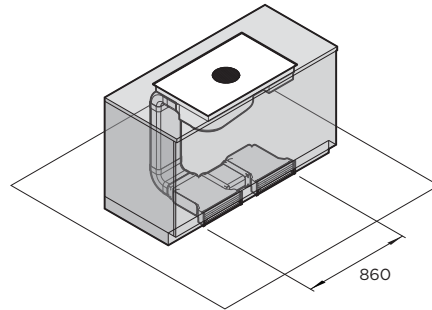
***Recirculation filters require deeper bench

RECIRCULATED DUCTING CONSIDERATIONS

PLEASE NOTE :

These are representational illustrations of cabinetry to show ducting options and provide guideline minimum benchtop depths. Benchtop depths are driven by ducting depth requirements within the cabinetry. Refer page 'Bench Depth Overview - Duct Down' for cabinetry overview and generic cabinetry dimensions used for these examples. Benchtop dimensions and cabinetry design should be adapted to suit requirements specific to location, materials and construction methods.

DOWN, RECIRCULATION OUTLET TO FRONT



DOWN, RECIRCULATION OUTLET TO FRONT

Compact - fits in 900 width cabinet
 No construction allowances required outside cabinetry
 x2 filter boxes provide greater extraction pressure than x1

105mm depth space required down back of cabinet **
 Reduced under bench storage depth
 100mm minimum toe kick height **
 Recirculation filters reduce airspeed compared to vented
 Recirculation outlet is at a persons foot height
 Outlet vent located at feet when using cooktop
 x2 Filters requires cleaning 6-12 monthly
 Requires deeper bench top - 685mm minimum depth
 Cabinetry feet may need relocating

Peninsula, Island, Back to Wall
 685mm ***

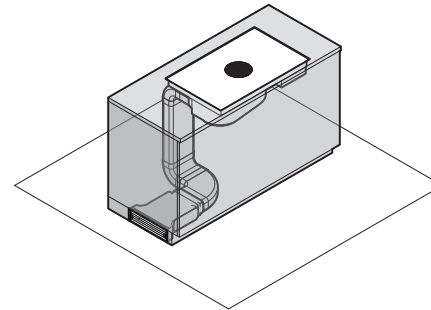
x2

•

•

•

DOWN, RECIRCULATION OUTLET TO SIDE



DOWN, RECIRCULATION TO SIDE

Ducting contained to cabinetry
 No construction allowances required outside cabinetry
 Vents away from feet at work spaces

105mm depth space required down back of cabinet **
 Reduced under bench storage depth
 100mm minimum toe kick height **
 Recirculation filters reduce airspeed compared to vented
 Recirculation outlet potentially located below other workspaces
 x1 filter provides less extraction pressure than x2 filters
 x1 filter requires cleaning 3-6 monthly
 Requires deeper bench top - 685mm minimum depth
 Cabinetry feet may need relocating
 Can be routed to the left or right

Peninsula, Island, Back to Wall
 685mm ***

x2

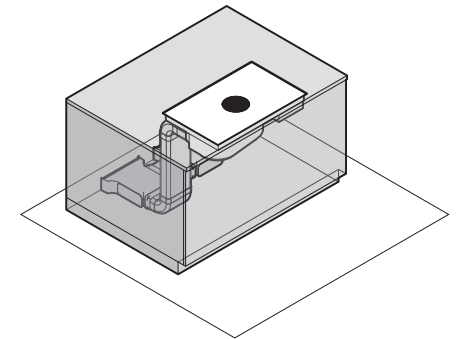
•

•

• quantity dependant on ducting layout

•

DOWN, RECIRCULATION OUTLET TO REAR



DOWN, RECIRCULATION TO REAR

Ducting contained to cabinetry
 No construction allowances required outside cabinetry
 Vents away from feet at work spaces

105mm depth space required within cabinets **
 Recirculation outlets may be visible from adjacent living spaces
 100mm minimum toe kick height **
 x2 filter boxes provide greater extraction pressure than x1
 Recirculation filters reduce airspeed compared to vented
 x2 filters requires cleaning 6-12 monthly
 Requires deeper bench top - 1050mm minimum depth
 Cabinetry feet may need relocating

Peninsula, Island
 1050mm ***

x2

•

•

• quantity dependant on ducting layout

•

ADVANTAGES

CONSIDERATIONS

BENCH TYPE

MIN BENCH DEPTH*

SUPPLIED PARTS

90° Vertical Elbow (x2)

15° Bend (x4)

500mm Straight Ducting

OPTIONAL PARTS

1M Straight Ducting D1-C-222-8

222 x 89 Connector

90° Horizontal Elbow E90-H-222-89

90° Vertical Elbow E90-V-222-89

Adapter DA-219-98-150

Stainless Steel Grille DO-G-SS

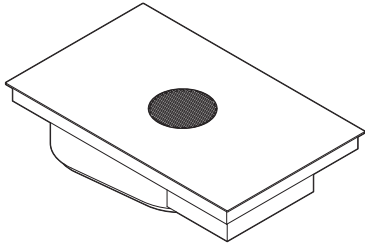
Recirculation Kit KRCD834

* Refer page 'Bench Depth Overview - Duct Down' for generic benchtop and cabinetry dimensions

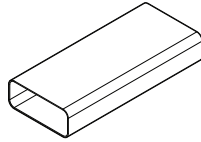
** Dimensions relational, refer page 'Rear Clearance Relationship to Kick Height' for details

*** Recirculation filter boxes require deeper bench

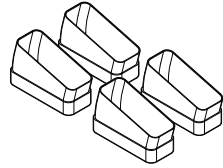
SUPPLIED COMPONENTS



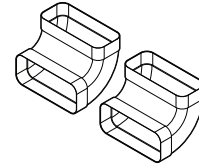
DOWNDRAFT INDUCTION COOKTOP



500MM STRAIGHT DUCTING 222 x 89



15° BEND (x4)



90° VERTICAL ELBOW (x2)

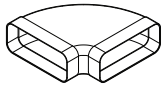
FISHER & PAYKEL

COMPONENT OVERVIEW Induction Cooktop, 83cm, with Integrated Ventilation

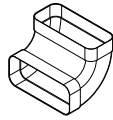
Model no:
CID834DTB4

Supplied Components	Quantity
Downdraft Induction Cooktop	1
500mm Straight Ducting (refer page 5 for measurements)	1
15° Bend (refer page 6 for measurements)	4
90° Vertical Elbow (refer page 5 for measurements)	2

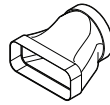
OPTIONAL ACCESSORIES



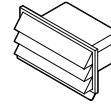
90° HORIZONTAL ELBOW



90° VERTICAL ELBOW



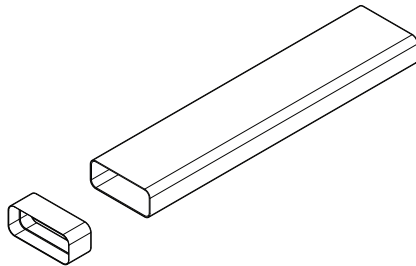
ADAPTER



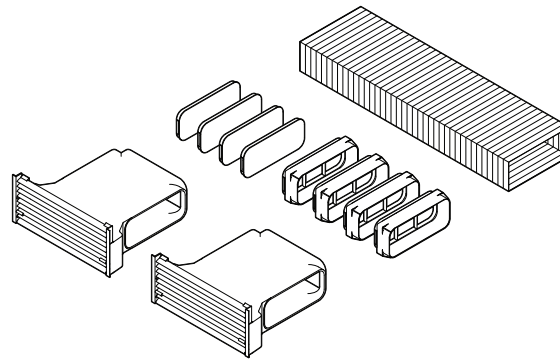
STAINLESS STEEL GRILLE

Optional accessory kits can be purchased separately to expand venting options.

Optional Accessories	Model no
1m Straight Ducting 222 x 89	D1-C-222-89
Connector 222 x 89	
90° Horizontal Elbow	E90-H-222-89
90° Vertical Elbow	E90-V-222-89
Adapter	DA-219-98-150
Stainless Steel Grille	DO-G-SS
Recirculation Kit	KRCID834
<ul style="list-style-type: none"> x2 Filter Box Assembly x4 Duct Adapter x4 Cap 3m Flexible Ducting 	
Replacement Recirculation Filter (not shown)	FRO-DD



1M STRAIGHT DUCTING 222 x 89
+
CONNECTOR 222 x 89



RECIRCULATION KIT

IMPORTANT NOTE:
DO NOT ENCASE DUCTING COMPONENTS IN CONCRETE

DATE: **05.07.2022**

IMPORTANT NOTE: Throughout this guide, dimensions may vary by ±2mm (1/16"). Please read the installation manual for detailed information on installing the product. For full installation instructions & specifications visit fisherpaykel.com

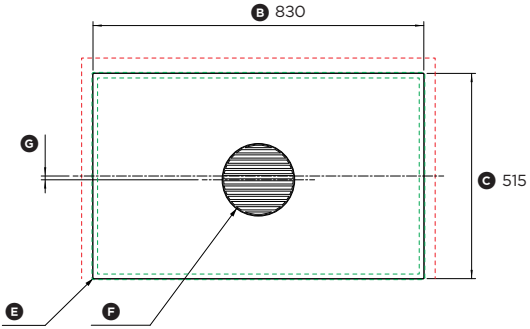
FISHER & PAYKEL

COOKTOP DIMENSIONS

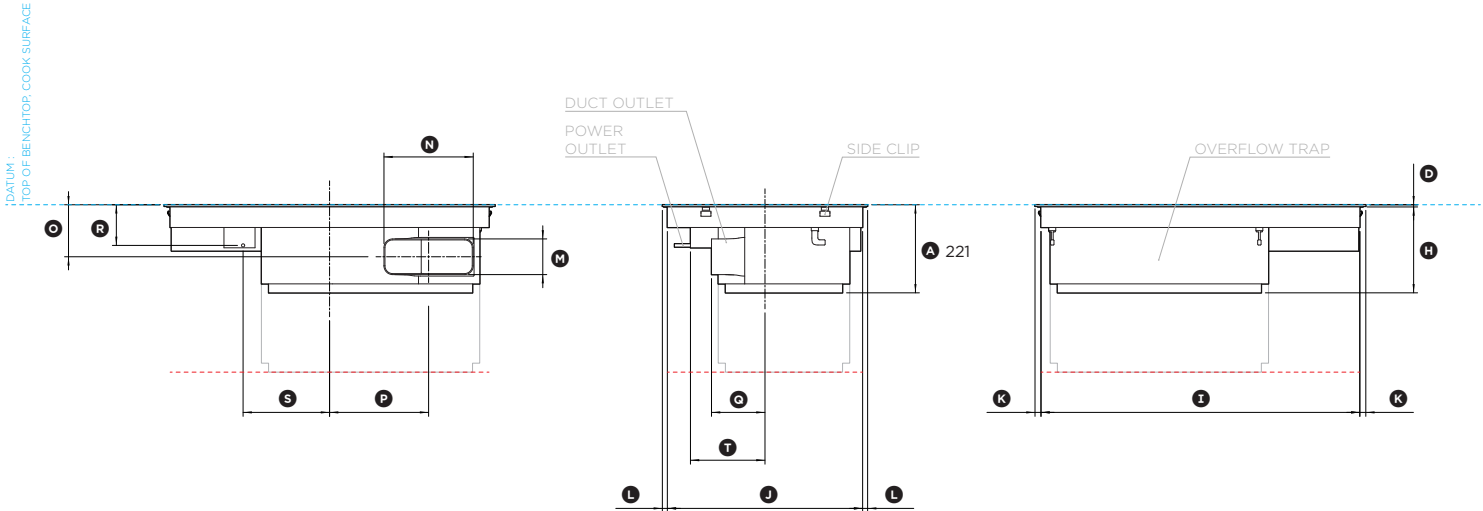
Induction Cooktop, 83cm, with Integrated Ventilation

Model no:
CID834DTB4

Product Dimensions	mm
Ⓐ Overall height of cooktop	221
Ⓑ Overall width of cooktop	830
Ⓒ Overall depth of cooktop	515
Ⓓ Height of cooktop glass (includes chassis flange)	5.5
Ⓔ Corner radii of glass	2
Ⓕ Diameter of extractor cover	179
Ⓖ Offset of extractor forward from centre of cooktop	10
Ⓙ Height of chassis	215
① Width of chassis	799
② Depth of chassis	488
⓪ Width of glass overhang at side of chassis	15
④ Depth of glass overhang at front and rear of chassis	13
⓫ Height of duct outlet	89
⓬ Width of duct outlet	222
⓭ Height from top of cooktop to centre of duct outlet	131
⓮ Width from centre of cooktop to centre of duct outlet	249
⓯ Depth from centre of cooktop to duct outlet	134
⓰ Height from top of cooktop to power outlet	102
⓱ Width from centre of cooktop to power outlet	217
⑩ Depth from centre of cooktop to power outlet	187



PLAN VIEW



BACK VIEW

PROFILE VIEW

FRONT VIEW

INDICATES CABINETRY -----
 INDICATES CABINETRY / PRODUCT DATUM -----
 INDICATES CABINETRY CLEARANCES -----

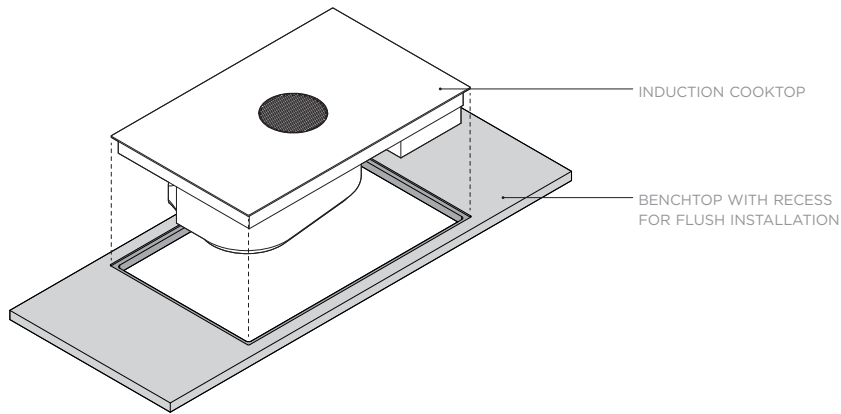
DATE: **05.07.2022**

IMPORTANT NOTE: Throughout this guide, dimensions may vary by $\pm 2\text{mm}$ (1/16"). Please read the installation manual for detailed information on installing the product. For full installation instructions & specifications visit fisherpaykel.com

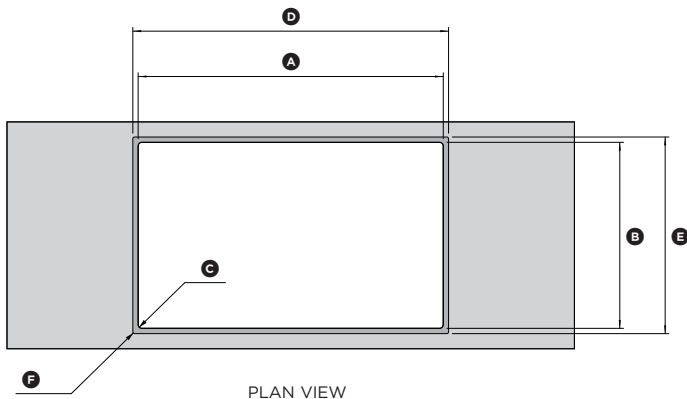


FISHER & PAYKEL

BENCHTOP CUTOUT DIMENSIONS Induction Cooktop, 83cm, with Integrated Ventilation



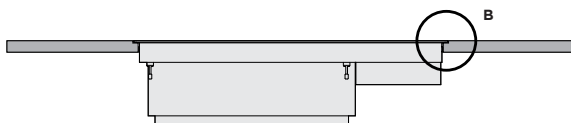
ISOMETRIC EXPLODED VIEW



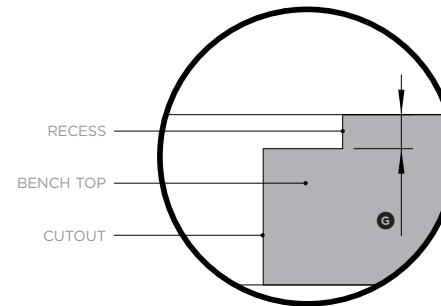
PLAN VIEW



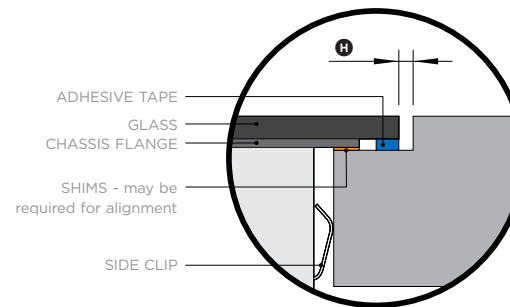
FRONT VIEW - CROSS SECTION



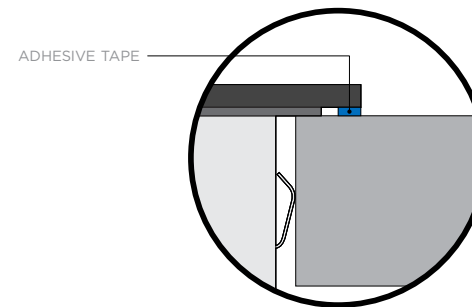
FRONT VIEW with Cooktop



DETAIL A
FRONT VIEW - CROSS SECTION
Bench top without cooktop,
recess for flush installation



DETAIL B
FRONT VIEW
Bench top with cooktop,
flush installation



DETAIL - SUPPLEMENTARY
FRONT VIEW
Bench top with cooktop,
proud installation

Model no:
CID834DTB4

The cooktop can be installed flush or proud in the benchtop. Both installation scenarios require a cutout to accommodate the cooktop chassis. To achieve a flush finish between glass and benchtop a recess is required.

Cutout Dimensions	mm
Ⓐ Overall width of cutout	807
Ⓑ Overall depth of cutout	492
Ⓒ Maximum corner radii of cutout	10

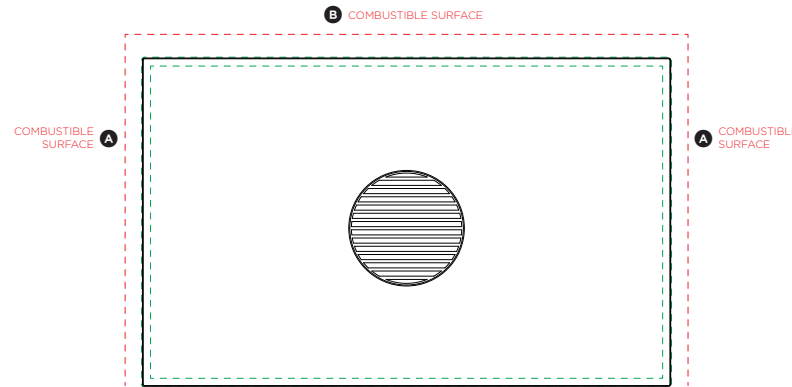
Recess Dimensions for Flush Installation	mm
Ⓓ Overall width of recess	835
Ⓔ Overall depth of recess	520
Ⓕ Corner radii of recess	4.5
Ⓖ Overall height of recess (shims may be required during install)	6
Ⓗ Distance between edge of recess and edge of glass	2.5

DATE: 05.07.2022

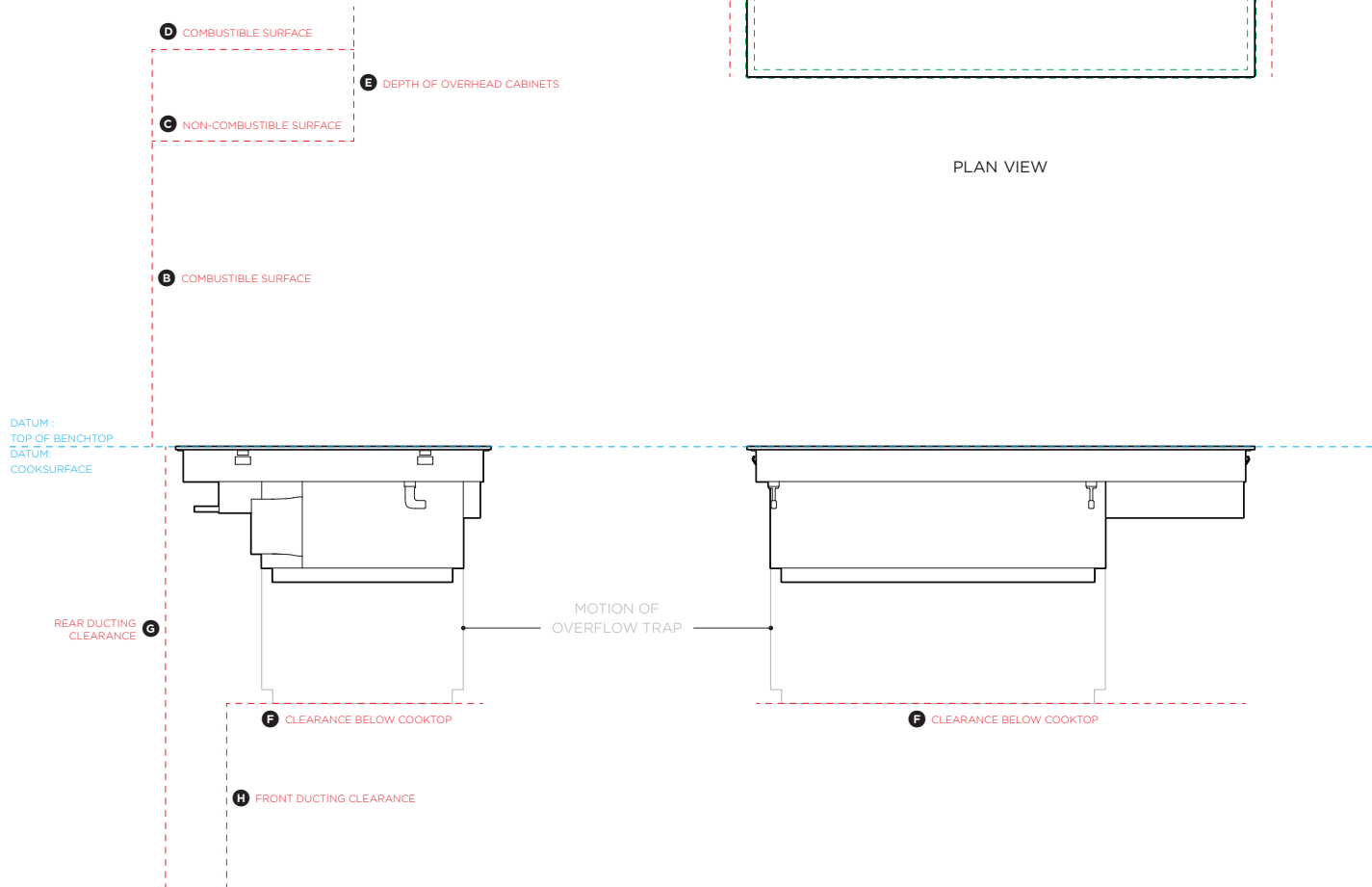
IMPORTANT NOTE: Throughout this guide, dimensions may vary by $\pm 2\text{mm}$ (1/16"). Please read the installation manual for detailed information on installing the product. For full installation instructions & specifications visit fisherpaykel.com

FISHER & PAYKEL

COOKTOP CLEARANCES Induction Cooktop, 83cm, with Integrated Ventilation



PLAN VIEW



PROFILE VIEW

FRONT VIEW

Model no:
CID834DTB4

Product Clearances	mm
Ⓐ Minimum clearance from nearest combustibility surface to - side edge of cutout - side edge of glass	40 29
Ⓑ Minimum clearance from nearest combustibility surface to - rear edge of cutout - rear edge of glass - front edge of glass	50 39 554
Ⓒ Minimum clearance from top of cook surface to non combustibility surface directly above cooktop	500
Ⓓ Minimum clearance from top of cook surface to combustibility surface directly above cooktop	650
Ⓔ Maximum depth of overhead cabinetry	330
Ⓕ Minimum clearance below cook surface to top of any appliance or obstruction below cooktop (required for cleaning access of the overflow trap)	421
Ⓖ Minimum rear ducting* clearance from - rear edge of cutout - rear edge of glass - front edge of glass	31 20 535
Ⓖ Minimum distance** from front ducting clearance to rear ducting clearance	105

* For ducting routed down, where a 90° Vertical Elbow is connected to the duct outlet. Depth can be increased by use of connector and ducting. See following pages for more details.

** For ducting scenarios not routed through kick cavity, or when ducting is routed through 150mm kick height cavity. Refer following pages for more details.

Ventilation Requirements	mm
Minimum ventilation gap at front of cooktop - Height of gap along full length of chassis - or equivalent area	5 40cm ²
Minimum ventilation area at rear of cooktop	40cm ²

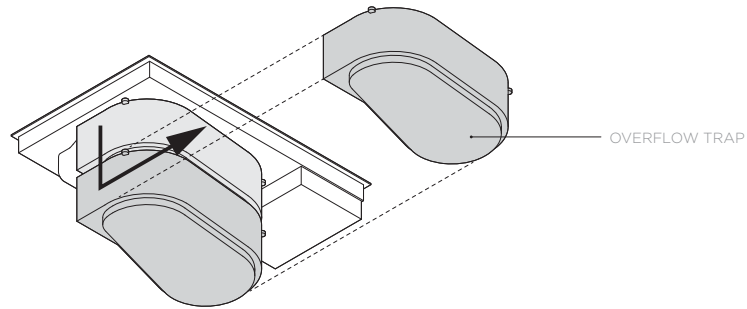
INDICATES CABINERY -----
INDICATES CABINERY / PRODUCT DATUM - - - - -
INDICATES CABINERY CLEARANCES - - - - -

DATE: **05.07.2022**

IMPORTANT NOTE: Throughout this guide, dimensions may vary by ±2mm (1/16"). Please read the installation manual for detailed information on installing the product. For full installation instructions & specifications visit fisherpaykel.com

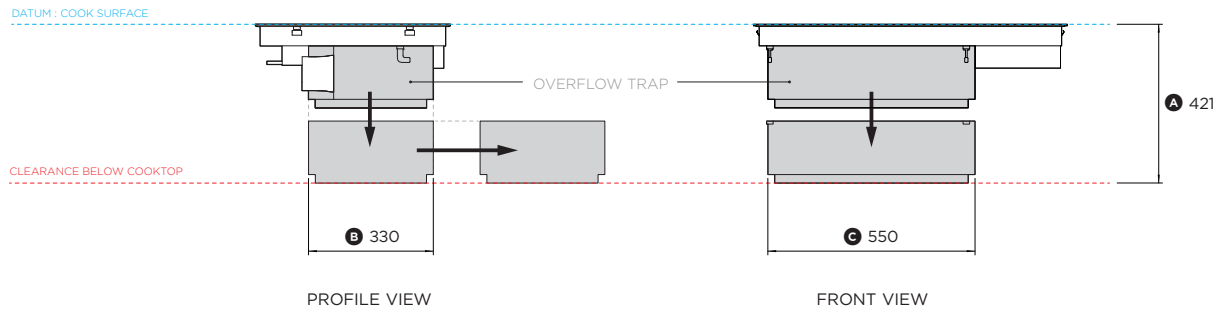
ISOMETRIC VIEW OF OVERFLOW TRAP REMOVAL

The overflow trap is located below the cooktop chassis. To allow cleaning, the overflow trap is required to be disconnected and removed.



ISOMETRIC VIEW - SHOWN FROM UNDERNEATH

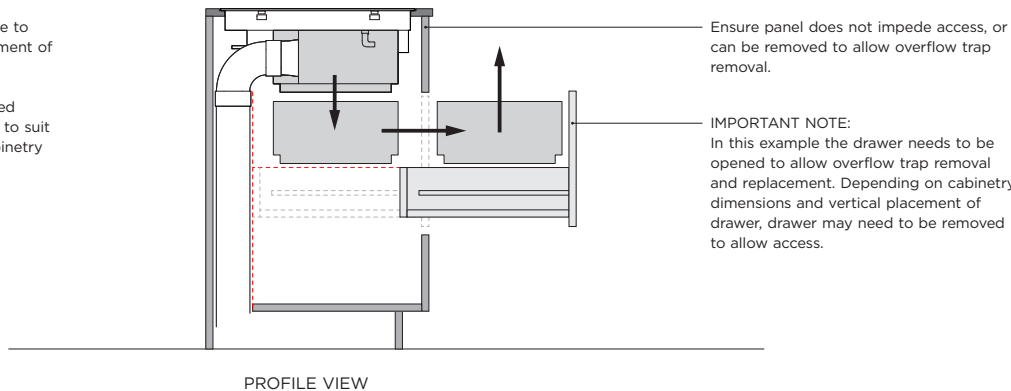
MOTION OF OVERFLOW TRAP REMOVAL



CABINETY EXAMPLE FOR OVERFLOW TRAP REMOVAL

Cabinetry needs to provide sufficient space to allow ease of access, removal and replacement of the overflow trap.

Cabinetry depicted is to provide a simplified example only and will need to be adapted to suit design requirements, specific location, cabinetry materials and construction methods.



FISHER & PAYKEL

OVERFLOW TRAP ACCESS Induction Cooktop, 83cm, with Integrated Ventilation

Model no:
CID834TB4

The overflow trap is located below the cooktop chassis. To allow cleaning, the overflow trap is required to be disconnected and removed from cabinetry. Cabinetry needs to provide sufficient clearance space to allow ease of access, removal and replacement of the overflow trap.

Cabinetry shown on this page is to provide a guideline only and will need to be adapted to suit design requirements, specific location, cabinetry materials and construction methods.

Overflow Trap Specifications	mm
Ⓐ Minimum clearance below cook surface to top of any appliance or obstruction below cooktop to allow removal of overflow trap for cleaning	421
Ⓑ Depth of overflow trap	330
Ⓒ Width of overflow trap	550

INDICATES CABINETY / PRODUCT DATUM -----
INDICATES CABINETY CLEARANCES -----

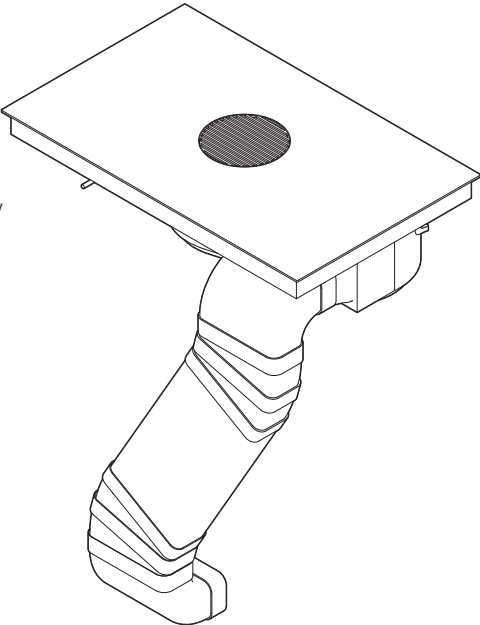
DATE: **05.07.2022**

IMPORTANT NOTE: Throughout this guide, dimensions may vary by $\pm 2\text{mm}$ (1/16"). Please read the installation manual for detailed information on installing the product. For full installation instructions & specifications visit fisherpaykel.com

FISHER & PAYKEL

SUPPLIED DUCTING OVERVIEW Induction Cooktop, 83cm, with Integrated Ventilation

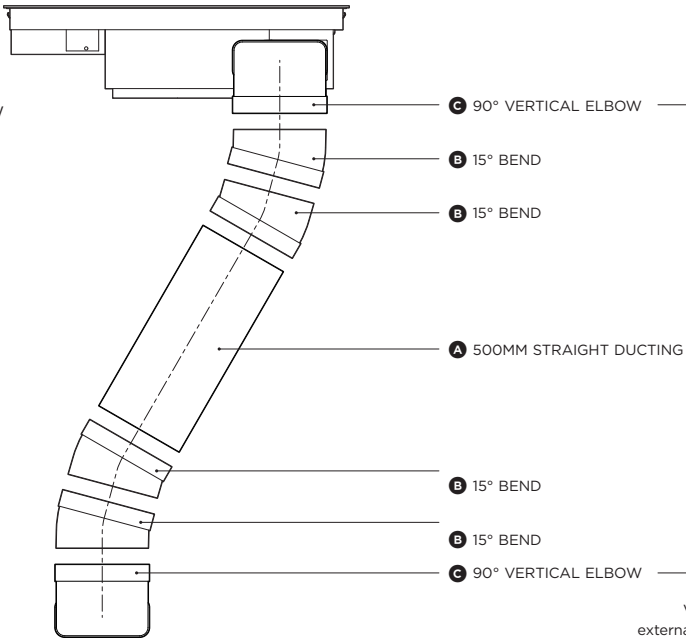
ISOMETRIC BACK VIEW



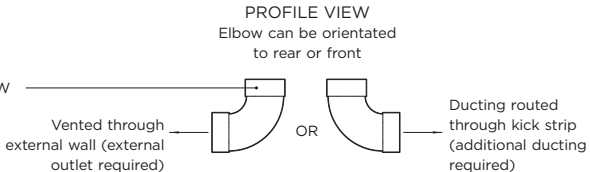
Model no:
CID834DTB4

Ducting Parts Supplied	Quantity
Ⓐ 500mm Straight Ducting (refer page 5 for measurements)	1
Ⓑ 15° Bend (refer page 6 for measurements)	4
Ⓒ 90° Vertical Elbow (refer page 5 for measurements)	2

EXPLODED BACK VIEW



PROFILE VIEW



INDICATES CENTRE LINE - - - - -

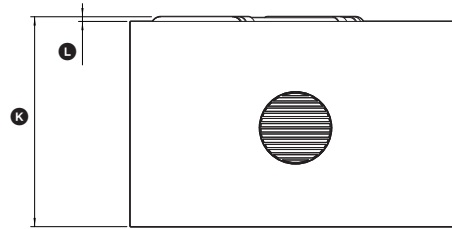
DATE: **05.07.2022**

IMPORTANT NOTE: Throughout this guide, dimensions may vary by $\pm 2\text{mm}$ (1/16"). Please read the installation manual for detailed information on installing the product. For full installation instructions & specifications visit fisherpaykel.com

FISHER & PAYKEL

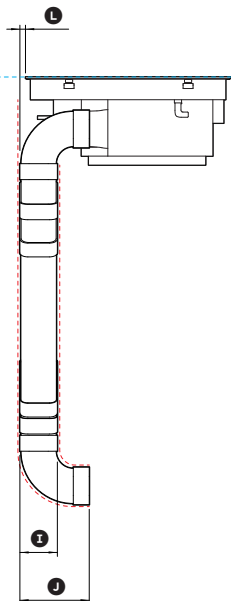
COOKTOP WITH SUPPLIED DUCTING DIMENSIONS Induction Cooktop, 83cm, with Integrated Ventilation

Model no:
CID834DTB4



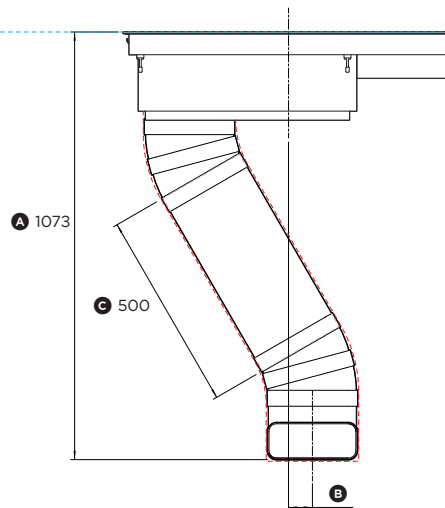
PLAN VIEW

DASHED LINE INDICATES DATUM - TOP OF BENCHTOP, COOK SURFACE



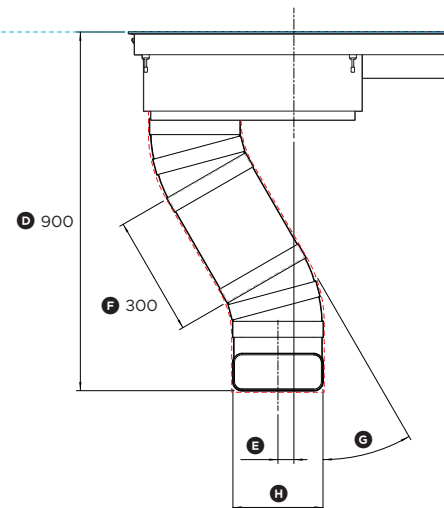
PROFILE VIEW

Maximum height of supplied ducting



FRONT VIEW

Maximum height of supplied ducting



FRONT VIEW

Supplied ducting trimmed
for 900 high benchtop

Product Dimensions	mm
Ⓐ Maximum height of cooktop and supplied ducting	1073
Ⓑ Offset from centre of duct outlet at maximum height	60
Ⓒ Length of straight ducting at maximum height	500
Ⓓ Overall height for 900 bench height (cooktop flush)	900
Ⓔ Offset from centre of duct outlet at 900mm overall height	40
Ⓕ Length of trimmed straight ducting for 900mm overall height	300
Ⓖ Angle of ducting	30°
Ⓗ Width of ducting	226
Ⓚ Depth of straight ducting and 15 degree bend	94
Ⓛ Overall depth of ducting	174
Ⓜ Overall depth of cooktop and ducting	529
Ⓝ Depth from rear of cooktop to rear of ducting	14

Clearance Dimensions for Ducting	mm
Clearance parallel to width of ducting	232
Clearance parallel to depth of ducting	105

INDICATES CABINERY / PRODUCT DATUM -----

INDICATES CABINERY CLEARANCES -----

INDICATES CENTRE LINE -----

DATE: **05.07.2022**

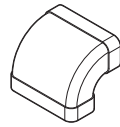
IMPORTANT NOTE: Throughout this guide, dimensions may vary by $\pm 2\text{mm}$ (1/16"). Please read the installation manual for detailed information on installing the product. For full installation instructions & specifications visit fisherpaykel.com

FISHER & PAYKEL

BENCH DEPTH OVERVIEW - DUCT DOWN Induction Cooktop, 83cm, with Integrated Ventilation

IMPORTANT NOTE:

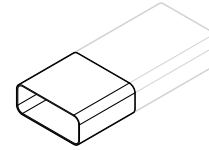
These are representational illustrations of cabinetry to provide guideline minimum benchtop depths. Benchtop depths are driven by clearance requirements above bench and ducting depth requirements within the cabinetry. Benchtop and cabinetry dimensions should be adapted to suit requirements specific to location, materials and construction methods.



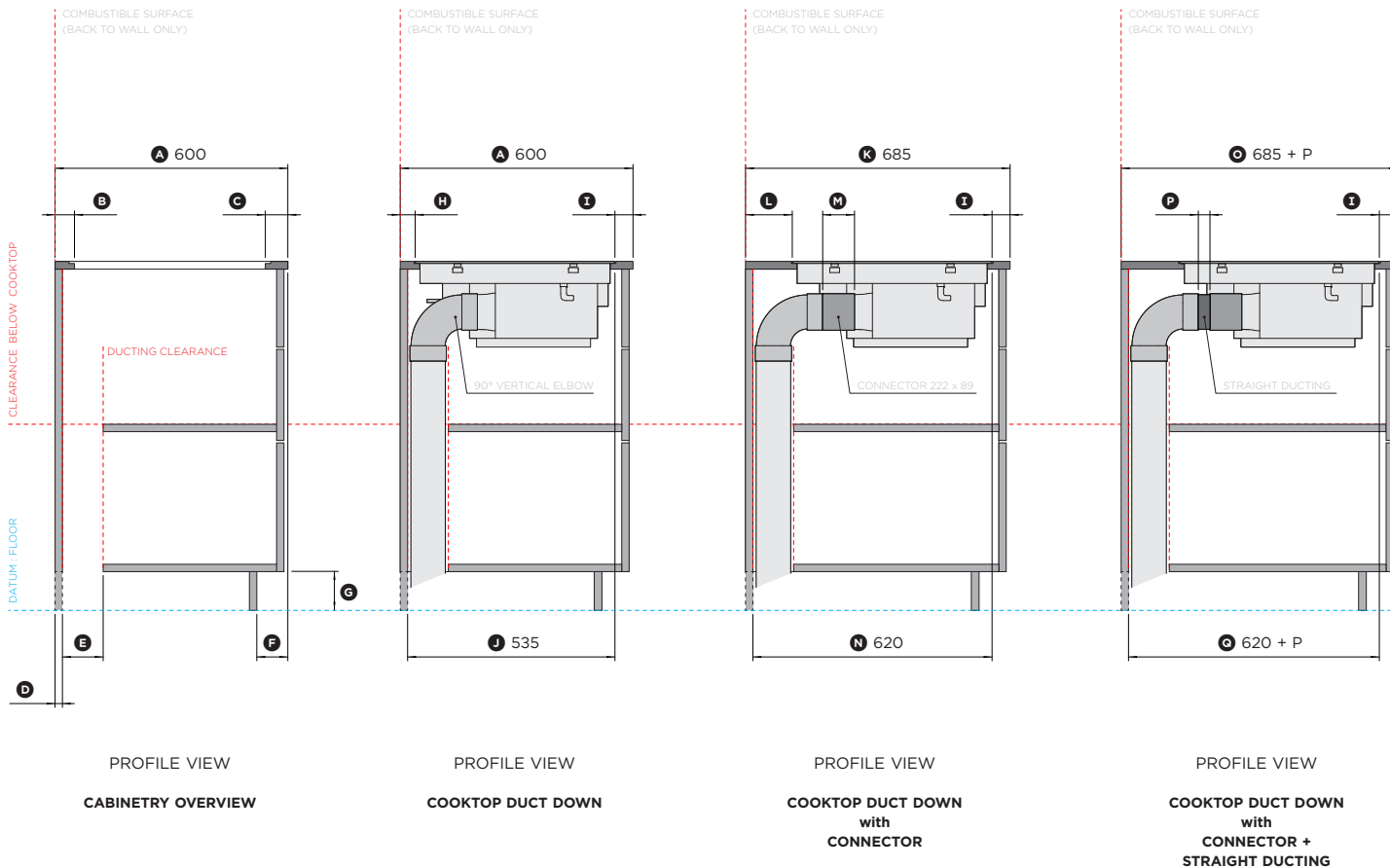
90° VERTICAL ELBOW



CONNECTOR 222 x 89



STRAIGHT DUCTING 222 x 89
TRIMMED TO SUIT



Model no:
CID834DTB4

Cabinetry Dimensions	mm
Ⓐ Minimum recommended bench depth	600
Ⓑ Minimum clearance to combustible surface from rear of cutout	50
Ⓒ Resulting distance from front of cutout to front of benchtop*	58
Ⓓ Thickness of rear panel	19
Ⓔ Minimum clearance at rear of cabinet for ducting** †	105
Ⓕ Distance from front of benchtop to front of kickstrip	80
Ⓖ Minimum height of kickstrip to accommodate ducting*** †	100
Ⓗ Minimum clearance to combustible surface from rear of glass	39
Ⓙ Resulting distance from front of glass to front of benchtop*	46
Ⓚ Distance from front of glass to rear of cavity	535
Ⓛ Minimum bench depth with connector ****	685
Ⓚ Resulting distance from rear of glass to rear of benchtop to accommodate under bench clearance for ducting.	124
Ⓜ Depth of connector	82
Ⓝ Distance from front of glass to rear of cavity	620
Ⓞ Minimum bench depth with connector and straight ducting ****	685 + Ⓐ
Ⓟ Length of exposed straight ducting (trimmed to suit cabinetry)	> 1
Ⓠ Distance from front of glass to rear of cavity	620 + Ⓐ

* Dimension based on 600 benchtop, driven by rear clearance requirements. Can be decreased/increased to suit aesthetic, materials and construction.

† Minimum rear ducting clearance is relational to minimum kick height in scenarios where ducting is runs within the kick strip. Refer to page 'Cabinetry Scenarios' for further detail.

** Applicable to drawers, shelves or a false back. Not required for 'Up + Out' and 'Straight Out' ducting scenarios.

*** No minimum height for 'Straight Out', 'Down + Out', 'Thru Floor' and 'In Floor' ducting scenarios.

**** Depth based on generic measurements Ⓒ and Ⓙ which can be increased/decreased to suit aesthetic and/or material requirements.

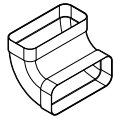
INDICATES CABINERY / PRODUCT DATUM -----
INDICATES CABINERY CLEARANCES -----

DATE: 05.07.2022

IMPORTANT NOTE: Throughout this guide, dimensions may vary by ±2mm (1/16"). Please read the installation manual for detailed information on installing the product. For full installation instructions & specifications visit fisherpaykel.com

DUCTED - CABINETRY CLEARANCE RELATIONSHIPS

Use of the 90° Vertical Elbow creates a relationship between the rear clearance for vertical ducting to the kick cavity height for horizontal ducting.



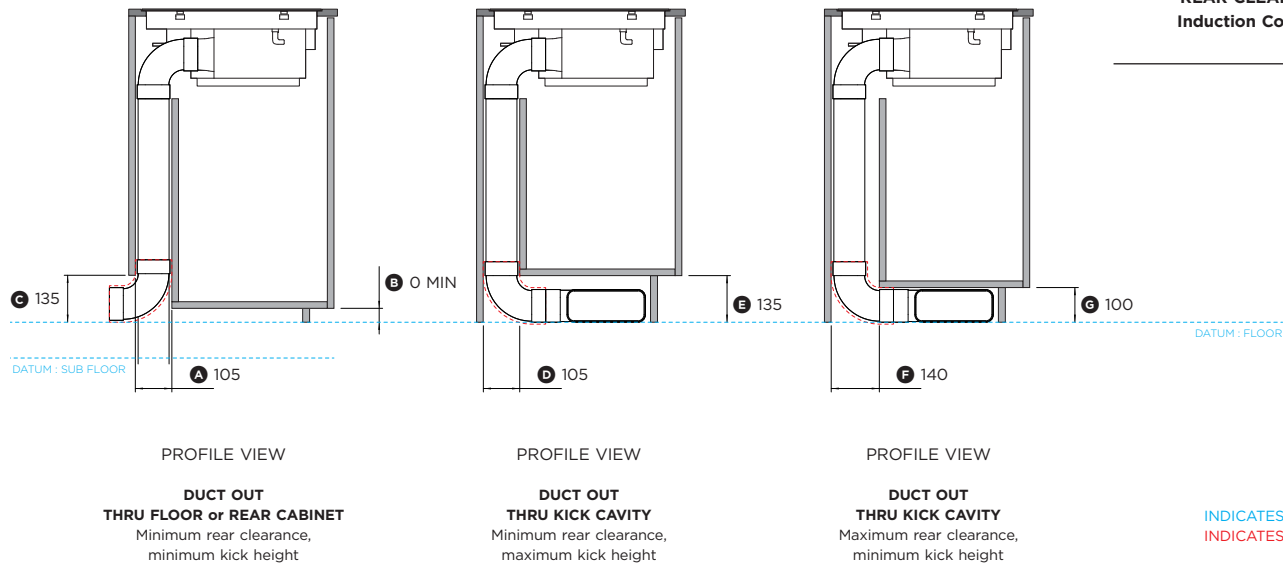
90° VERTICAL ELBOW

To minimise the depth of the rear clearance the kick cavity height must be at a maximum. To reduce kick cavity height the rear clearance must increase.

IMPORTANT

Only minimum and maximum relationships have been shown. There is a range of depth and heights, between what is shown, that is achievable.

For further details and dimensions regarding the 90° Vertical Elbow refer to Ducting pages and 2D CAD files.



FISHER & PAYKEL

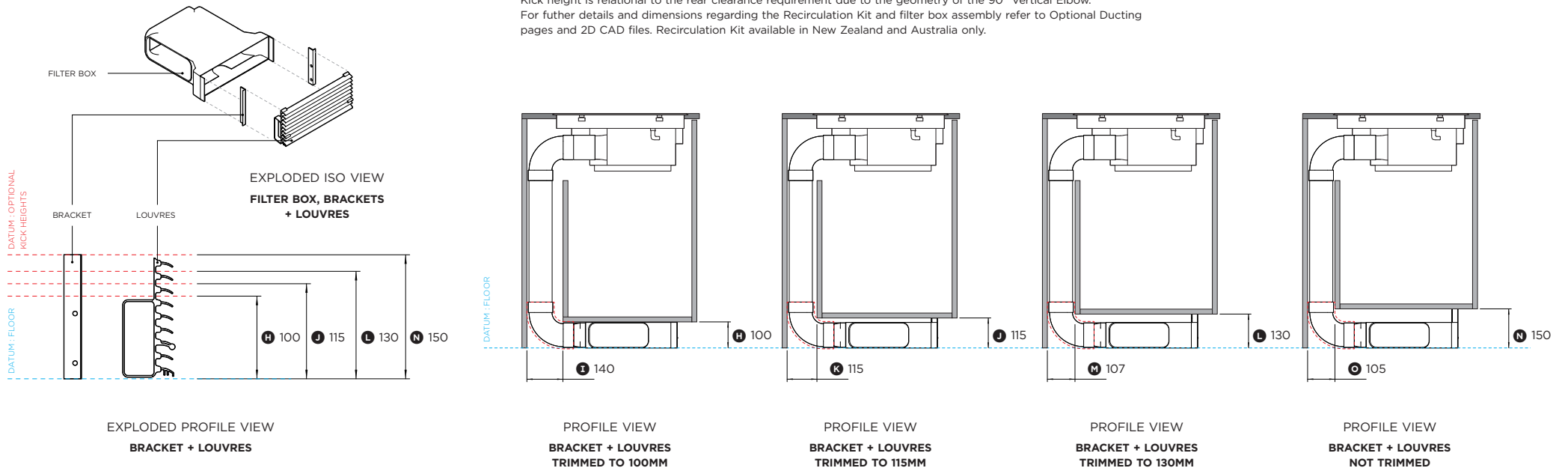
REAR CLEARANCE RELATIONSHIP TO KICK HEIGHT
Induction Cooktop, 83cm, with Integrated Ventilation

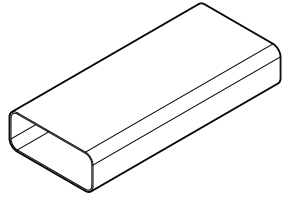
RECIRCULATED - CABINETRY CLEARANCE RELATIONSHIPS

For recirculated installations the kick height needs to accommodate the filter box assembly. The louvres are designed to be trimmed to set heights of 150, 130, 115 and 100mm, while brackets can be trimmed to suit any kick height between 100-150mm.

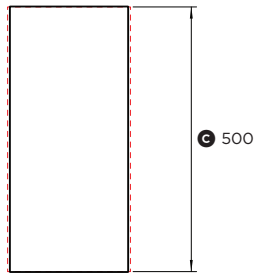
Kick height is relational to the rear clearance requirement due to the geometry of the 90° Vertical Elbow.

For further details and dimensions regarding the Recirculation Kit and filter box assembly refer to Optional Ducting pages and 2D CAD files. Recirculation Kit available in New Zealand and Australia only.

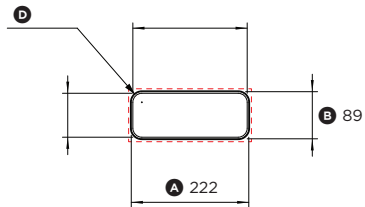




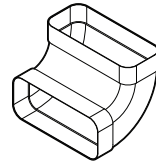
500MM STRAIGHT DUCTING 222 x 89



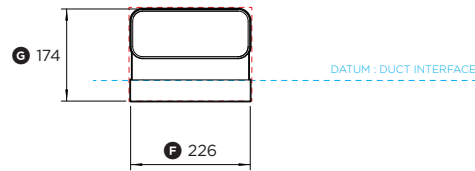
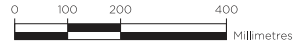
PLAN VIEW



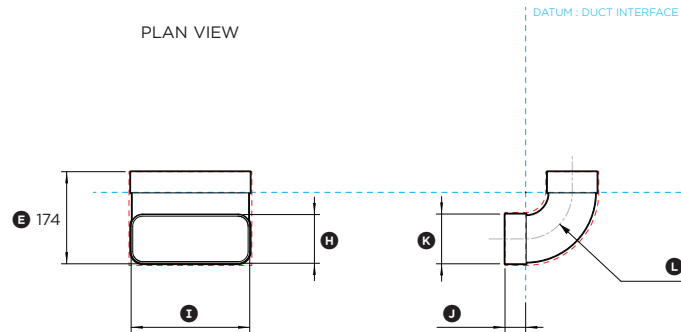
FRONT VIEW



90° VERTICAL ELBOW



PLAN VIEW



FRONT VIEW

PROFILE VIEW

FISHER & PAYKEL

SUPPLIED DUCTING - DIMENSIONS Induction Cooktop, 83cm, with Integrated Ventilation

Supplied Part:
500mm Straight Ducting 222 x 89 (x1)

Product Dimensions	mm
Ⓐ Overall height of ducting	89
Ⓑ Overall width of ducting	222
Ⓒ Overall length of ducting	500
Ⓓ Corner radii of ducting	20
Clearance Dimensions	mm
Height	100
Width	232

Supplied Part:
90° Vertical Elbow (x2)

Product Dimensions	mm
Ⓔ Overall height of elbow	174
Ⓕ Overall width of elbow	226
Ⓖ Overall depth of elbow	174
Ⓗ Internal height of female duct end	92
Ⓙ Internal width of female duct end	224
Ⓚ Internal shoulder depth of female duct end	39
Ⓛ External height of female duct end	94
Ⓜ Centre radius of bend	88
Clearance Dimensions	mm
Height	100
Width	232
Depth	100
Internal radius	38
External radius	138

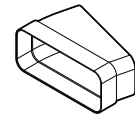
INDICATES DUCT DATUM
INDICATES CABINETRY CLEARANCES
INDICATES CENTRE LINE

DATE: **05.07.2022**

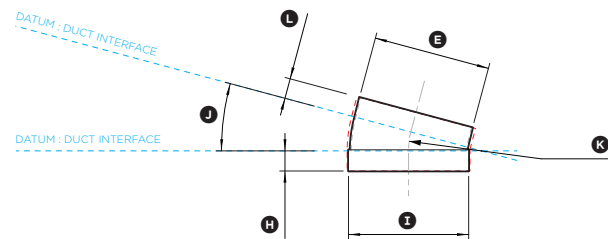
IMPORTANT NOTE: Throughout this guide, dimensions may vary by $\pm 2\text{mm}$ (1/16"). Please read the installation manual for detailed information on installing the product. For full installation instructions & specifications visit fisherpaykel.com

FISHER & PAYKEL

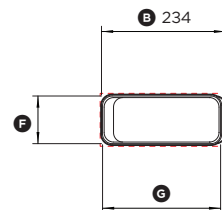
SUPPLIED DUCTING - DIMENSIONS Induction Cooktop, 83cm, with Integrated Ventilation



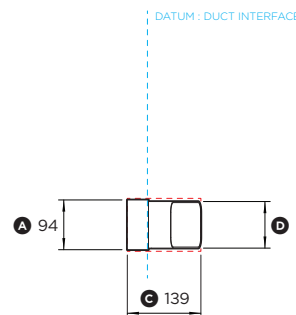
15° DEGREE BEND



PLAN VIEW



FRONT VIEW



PROFILE VIEW

Supplied Part:

15° Degree Bend (x4)

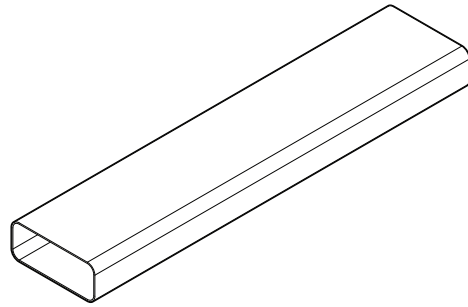
Product Dimensions	mm
Ⓐ Overall height of ducting	94
Ⓑ Overall width of ducting	234
Ⓒ Overall depth of ducting	139
Ⓓ Height of male duct end	88
Ⓔ Width of male duct end	221
Ⓕ Internal height of female duct end	90
Ⓖ Internal width of female duct end	223
Ⓖ Internal shoulder depth of female duct end	38
Ⓗ External width of female duct end	227
Ⓘ Angle of bend	15°
Ⓚ Centre radius of bend	137
Ⓛ Insertion depth of male duct end	38

Clearance Dimensions	mm
Height	100
Width	232
Depth	100
Internal radius	38
External radius	138

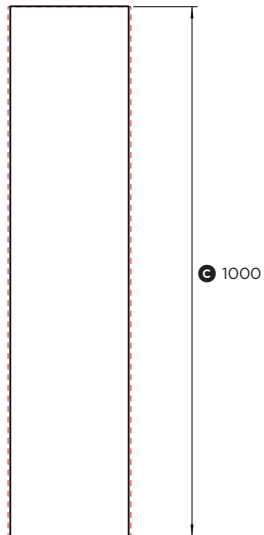
INDICATES DUCT DATUM
 INDICATES CABINETRY CLEARANCES - - - - -
 INDICATES CENTRE LINE - - - - -

DATE: 05.07.2022

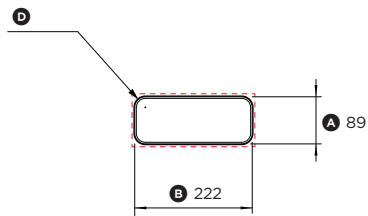
IMPORTANT NOTE: Throughout this guide, dimensions may vary by $\pm 2\text{mm}$ (1/16"). Please read the installation manual for detailed information on installing the product. For full installation instructions & specifications visit fisherpaykel.com



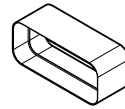
1M STRAIGHT DUCTING 222 x 89



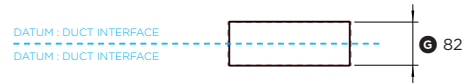
PLAN VIEW



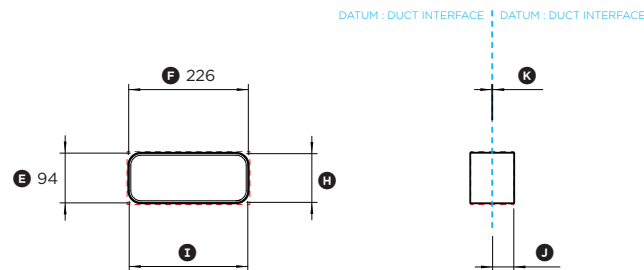
FRONT VIEW



CONNECTOR 222 x 89



PLAN VIEW



FRONT VIEW

PROFILE VIEW

FISHER & PAYKEL

OPTIONAL DUCTING - DIMENSIONS Induction Cooktop, 83cm, with Integrated Ventilation

Optional Part: D1-C-222-89

- 1M Straight Ducting 222 x 89
- Connector 222 x 89

Product Dimensions	mm
--------------------	----

1M Straight Ducting 222 x 89	
------------------------------	--

Ⓐ Overall height of ducting	89
Ⓑ Overall width of ducting	222
Ⓒ Overall length of ducting	1000
Ⓓ Corner radii of ducting	20

Clearance Dimensions		mm
----------------------	--	----

Height	100
Width	232

Connector 222 x 89	
--------------------	--

Ⓔ Overall height of connector	94
Ⓕ Overall width of connector	226
Ⓖ Overall depth of connector	82
Ⓖ Internal height of connector	92
Ⓗ Internal width of connector	224
Ⓙ Internal depth to shoulder	40
Ⓚ Thickness of internal shoulder divider	2

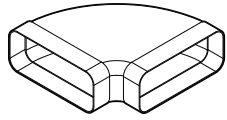
Clearance Dimensions		mm
----------------------	--	----

Height	100
Width	232

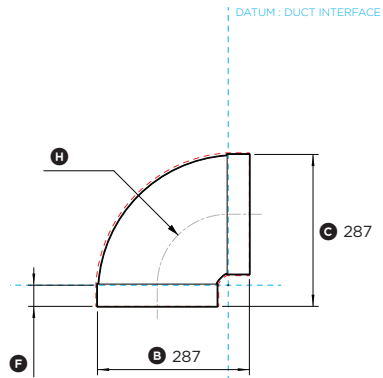
INDICATES DUCT DATUM -----
INDICATES CABINETY CLEARANCES -----

DATE: 05.07.2022

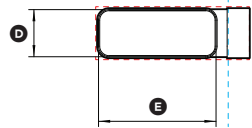
IMPORTANT NOTE: Throughout this guide, dimensions may vary by $\pm 2\text{mm}$ (1/16"). Please read the installation manual for detailed information on installing the product. For full installation instructions & specifications visit fisherpaykel.com



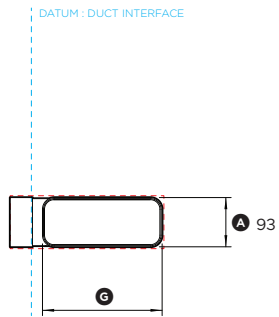
90° HORIZONTAL ELBOW



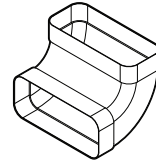
PLAN VIEW



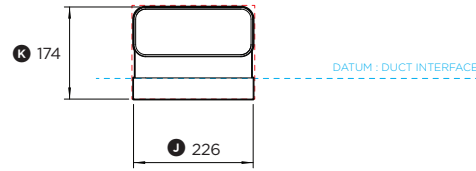
FRONT VIEW



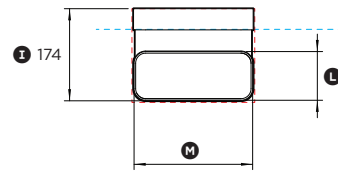
PROFILE VIEW



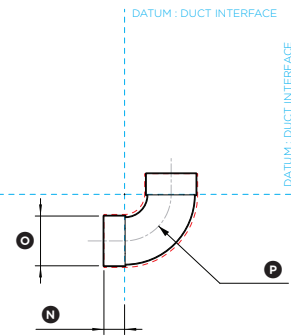
90° VERTICAL ELBOW



PLAN VIEW



FRONT VIEW



PROFILE VIEW

FISHER & PAYKEL

OPTIONAL DUCTING - DIMENSIONS Induction Cooktop, 83cm, with Integrated Ventilation

Optional Part: E90-H-222-89

90° Horizontal Elbow

Product Dimensions	mm
Ⓐ Overall height of duct	93
Ⓑ Overall width of duct	287
Ⓒ Overall length of duct	287
Ⓓ Internal height of female duct end	89
Ⓔ Internal width of female duct end	222
Ⓕ Internal shoulder depth of female duct end	40
Ⓖ External width of female duct end	226
Ⓗ Centre Radius of bend	134

Clearance Dimensions	mm
Height	100
Width	232
External radius	267

Optional Part: E90-V-222-89

90° Vertical Elbow

Product Dimensions	mm
Ⓐ Overall height of ducting	174
Ⓑ Overall width of ducting	226
Ⓒ Overall depth of ducting	174
Ⓓ Internal height of female duct end	92
Ⓔ Internal width of female duct end	224
Ⓕ Internal shoulder depth of female duct end	39
Ⓖ External height of female duct end	94
Ⓗ Centre radius of bend	88

Clearance Dimensions	mm
Height	100
Width	232
Internal radius	38
External radius	138

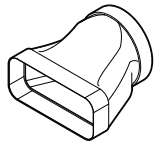
INDICATES CABINERY CLEARANCES - - - - -

INDICATES DUCT DATUM - - - - -

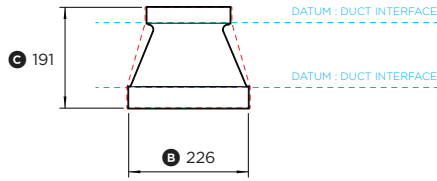
INDICATES CENTRE LINE - - - - -

DATE: 05.07.2022

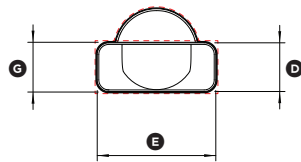
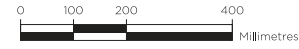
IMPORTANT NOTE: Throughout this guide, dimensions may vary by $\pm 2\text{mm}$ (1/16"). Please read the installation manual for detailed information on installing the product. For full installation instructions & specifications visit fisherpaykel.com



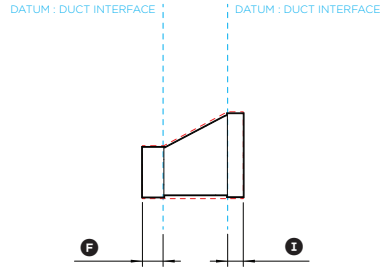
ADAPTER



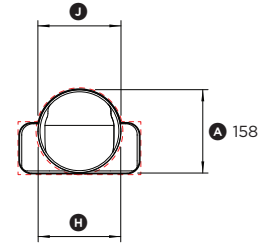
PLAN VIEW



FRONT VIEW



PROFILE VIEW



BACK VIEW

FISHER & PAYKEL

OPTIONAL DUCTING - DIMENSIONS Induction Cooktop, 83cm, with Integrated Ventilation

Optional Part: DA-219-98-150

Adapter

Product Dimensions	mm
Ⓐ Overall height of adapter	158
Ⓑ Overall width of adapter	226
Ⓒ Overall length of adapter	191
Ⓓ Internal height of rectangular female duct end	92
Ⓔ Internal width of rectangular female duct end	224
Ⓕ Internal depth of rectangular female duct end	39
Ⓖ External height of rectangular female duct end	94
Ⓙ Internal diameter of round female duct end	156
Ⓚ Internal depth of round female duct end	30
Ⓛ External diameter of round duct female duct end	158

Optional Part: DO-G-SS

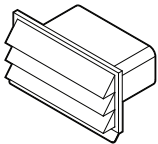
Stainless Steel Grille

Product Dimensions	mm
Ⓜ Overall height of grille	160
Ⓛ Overall width of grille	290
Ⓝ Overall depth of grille	163
Ⓟ Height of male duct end	83
Ⓠ Width of male duct end	215
Ⓡ Length of male duct end	120
Ⓢ Corner radii of male duct end	16
Ⓣ Height from top of spigot to top of frame	32
Ⓤ Height of external frame	150
Ⓡ Depth of external frame	15
Ⓢ Depth of external frame and grille	43
Ⓣ Height of louvres	120
Ⓤ Width of louvres	260

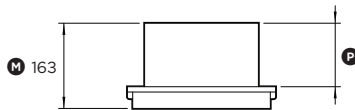
INDICATES CABINERY CLEARANCES - - - - -
INDICATES DUCT DATUM - - - - -

DATE: 05.07.2022

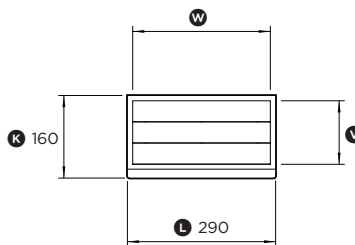
IMPORTANT NOTE: Throughout this guide, dimensions may vary by $\pm 2\text{mm}$ (1/16"). Please read the installation manual for detailed information on installing the product. For full installation instructions & specifications visit fisherpaykel.com



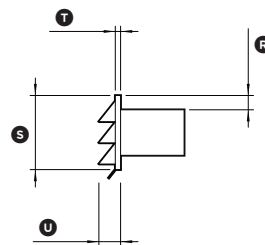
STAINLESS STEEL GRILLE



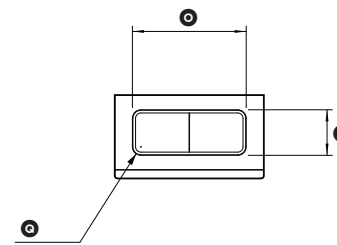
PLAN VIEW



FRONT VIEW

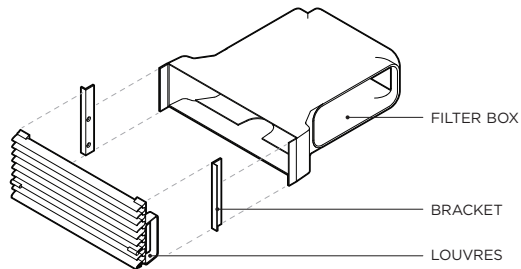
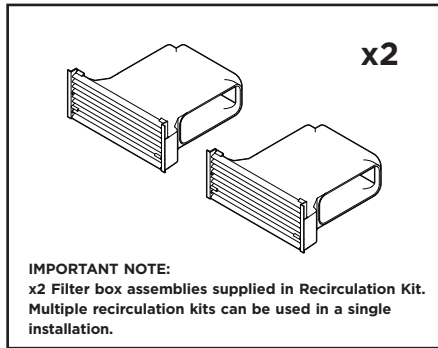


PROFILE VIEW

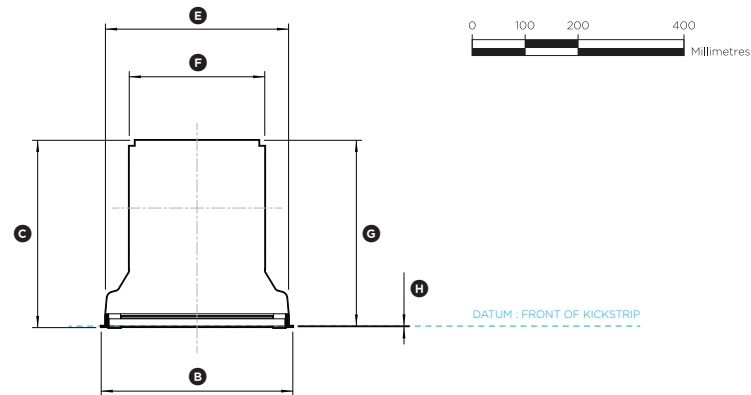


BACK VIEW

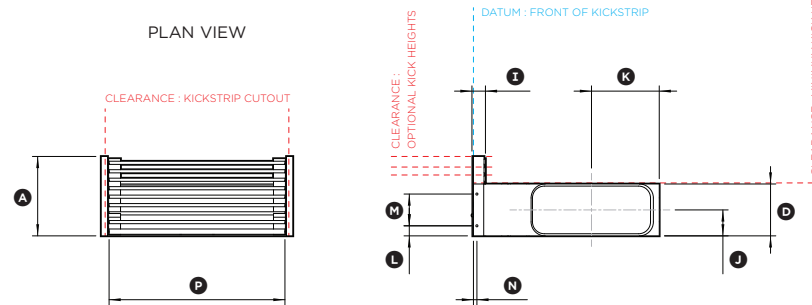
FILTER BOX ASSEMBLY



EXPLODED ISOMETRIC VIEW



PLAN VIEW

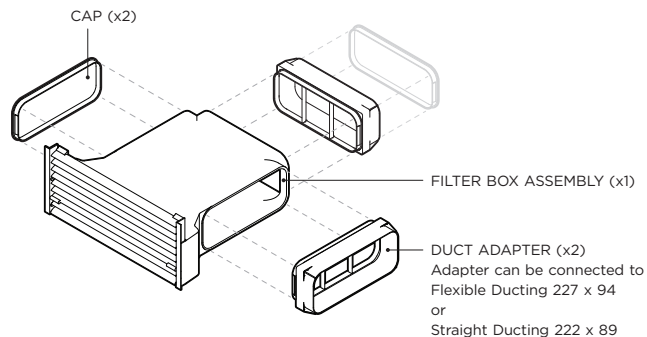


FRONT VIEW

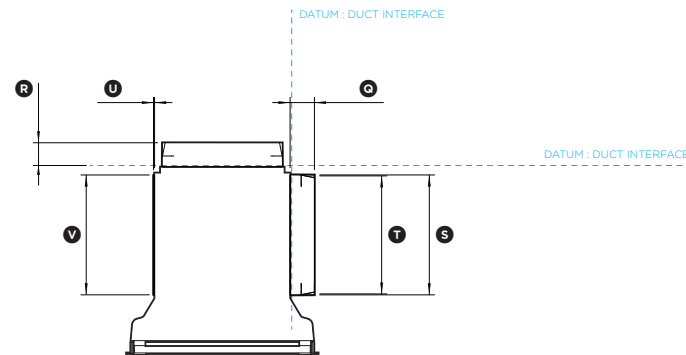
PROFILE VIEW

FILTER BOX ASSEMBLY WITH DUCT ADAPTER AND CAPS - x2 SETS SUPPLIED

Position of caps and adapters can be interchanged to suit ducting layout



EXPLODED ISOMETRIC VIEW



PLAN VIEW

FISHER & PAYKEL

OPTIONAL DUCTING Induction Cooktop, 83cm, with Integrated Ventilation

Optional Part: KRCID834

Recirculation Kit

- x2 Filter box Assembly
- x4 Duct adapter
- x4 Cap
- 3m Flexible ducting 227 x 94

Product Dimensions	mm
Ⓐ Overall height of filter box assembly (louvres can be trimmed to suit kickstrip)	150/130/115/100
Ⓑ Overall width of filter box assembly	362
Ⓒ Overall depth of filter box assembly	354
Ⓓ Height of filter box	98
Ⓔ Width of filter box at front	346
Ⓕ Width of filter box at rear	256
Ⓖ Depth of filter box (excludes bracket)	351
Ⓗ Depth of bracket flange	1
Ⓘ Depth of bracket and louvres	26
Ⓛ Height from bottom of filter box to centre of outlets	49
Ⓜ Depth from rear of filter box to centre of side outlets	128
Ⓝ Height from bottom of bracket to lower hole centre	19
Ⓞ Height between hole centres	60
Ⓟ Depth from rear of bracket flange to hole centre	7
Ⓠ Hole diameter	4
Ⓡ Width of louvres	332
Ⓢ Distance from edge of duct adapter to edge of filter box	46
Ⓣ Internal depth of female end of duct adapter	43
Ⓤ Overall length of duct adapter	227
Ⓡ Internal length of female end of duct adapter	223
Overall height of duct adapter (not shown)	94
Internal height of female end of duct adapter (not shown)	90
Ⓢ Thickness of cap from edge of filter box	2
Ⓡ Length of cap	226
Height of cap (not shown)	93

Kickstrip Dimensions	mm
Height of kickstrip (louvres trimmed to suit)	150/130/115/100
Overall width of cutout	347

INDICATES CABINERY CLEARANCES -----
INDICATES DUCT DATUM -----

DATE: 05.07.2022

IMPORTANT NOTE: Throughout this guide, dimensions may vary by $\pm 2\text{mm}$ (1/16"). Please read the installation manual for detailed information on installing the product. For full installation instructions & specifications visit fisherpaykel.com