

FISHER & PAYKEL

PRELIMINARY SPECIFICATION GUIDE

VACUUM SEAL DRAWER, 24"



Vacuum Seal Drawer VB24SDB1-SET, paired with Steam Oven OS24NDTDB1

OVERVIEW

Designed to match our Minimal style appliances, the Vacuum Seal Drawer is the ideal companion for our Combination Steam Oven. Prepares food for sous vide cooking, or vacuum sealing for marinating, food storage and portioning and resealing. Beautiful to use, with capacitive touch controls, these drawers deliver the performance to achieve perfect results.

MODELS

Vacuum Seal Drawer, 24inch, Panel Ready*

Minimal Black
VB24SDB1-SET

*This model comes with an accessory door panel, and is not suitable for use with a custom door panel

SERIES & STYLE

Series 9
Minimal

FEATURES

- ① Styled to perfectly match our Minimal kitchen appliances
- ② Seamless pairing with our Minimal style ovens and other companion products
- ③ Push-to-open drawer
- ④ Three levels of vacuum and heat sealing
- ⑤ Easy-to-clean base
- ⑥ Easy-to-use capacitive touch controls
- ⑦ Vacuum sealing for easy food portioning, marinating, storage and extended shelf life, or re-sealing
- ⑧ Effortless preparation for sous vide cooking
- ⑨ Maintenance and moisture indicator

ACCESSORIES

- ① External vacuuming accessory kit
- ② Large BPA free vacuum seal bags (50 bags, part 793034)
- ③ Small BPA-free vacuum seal bags (50 bags, part 793033)

FISHER & PAYKEL

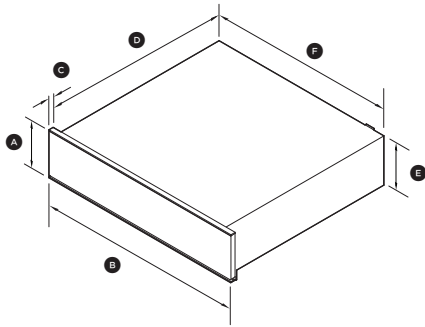
PRELIMINARY SPECIFICATION GUIDE

VACUUM SEAL DRAWER, 24"

PRODUCT SPECIFICATIONS

Model No.	VB24SDB1-SET
Dimensions	H 5 1/2" W 23 7/16" D 22 1/4"
Weight	84lbs (38kg)
Capacity	0.27 cu ft (7.8 Litre)
Electrical	
Supply	110 V, 60 Hz
Service	10 A
Connection	Flex cord
Power cord length	70 7/8" (1800mm)

PRODUCT DIMENSIONS

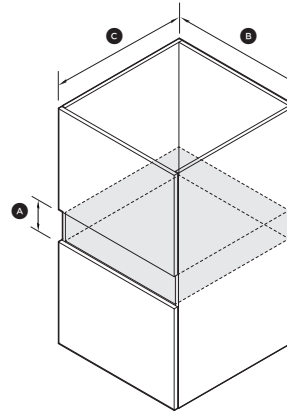


	inch	mm
(A) Overall height	5 1/2	140
(B) Overall width	23 7/16	596
(C) Depth front panel	13/16	20
(D) Depth of chassis*	21 1/2	546
(E) Height of chassis	5 1/2	140
(F) Width of chassis*	21 3/8	543

* Including power plug

NOTE: The drawer can fully support 24inch Fisher & Paykel wall oven, without adding shelf in between.

CAVITY DIMENSIONS: STANDARD INSTALLATION



	inch	mm
(A) Minimum inside height	5 9/16	142
(B) Minimum inside width	22 1/16	560
(C) Minimum inside depth	22 1/16	560