

24" OVENS AND COMPANIONS MINIMAL

PLANNING GUIDE

OVEN | OB24SMPTDB1

COMBINATION STEAM OVEN | OS24SMTDB1, OS24NMTDB1

CONVECTION SPEED OVEN | OM24NMTDB1

BUILT-IN COFFEE MAKER | EB24MSB1

WARMING DRAWER | WB24SMB1-SET

VACUUM SEAL DRAWER | VB24SMB1-SET

FISHER & PAYKEL

This comprehensive Planning Guide provides you with the framework and tools to achieve your desired design outcome with Fisher & Paykel appliances. In this guide, you will find a range of conceptual, detailed and dimensional product information to bring your ideas to life and create spaces that truly reflect your vision.

CONTENTS

| CONCEPT DESIGN | | DEVELOPED AND DETAILED DESIGN | | | |
|---|-----------|-------------------------------|-----------|---|-----------|
| | PAGE | | PAGE | PAGE | |
| Design Choices | | Data Sheets | | Planning Considerations | |
| Ovens and Companions - ALL MODELS | 4 | Oven | 18 | Cabinetry Preparation - ALL MODELS | 26 |
| Configurations - ALL MODELS | 5 | Combination Steam Oven | 19 | Configurations - ALL MODELS | 27 |
| Overview - ALL MODELS | 6 | Combination Steam Oven | 20 | Oven | 28 |
| | | Convection Speed Oven | 21 | Combination Steam Oven | 29 |
| Specification Guides | | Built-in Coffee Maker | 22 | Combination Steam Oven | 30 |
| Oven | 8 | Warming Drawer | 23 | Convection Speed Oven | 31 |
| Combination Steam Oven | 9 | Vacuum Seal Drawer | 24 | Built-in Coffee Maker | 32 |
| Combination Steam Oven | 10 | | | Warming Drawer | 33 |
| Convection Speed Oven | 11 | | | Vacuum Seal Drawer | 34 |
| Built-in Coffee Maker | 12 | | | | |
| Warming Drawer | 13 | | | Services | |
| Vacuum Seal Drawer | 14 | | | Power Cord Length and Location - COMPANIONS | 36 |
| Dimensions - ALL MODELS | 15 | | | Power Cord Length and Location - OVENS | 37 |
| Power, Weight and Capacity - ALL MODELS | 16 | | | | |

The models shown in this Planning Guide may not be available in all markets and are subject to change at any time. Product specifications may vary from those shown. This Planning Guide should not be used as installation guidance for any product. Further information is required to safely and correctly install the products featured here. Specific installation guidance will be available on our website fisherpaykel.com

DESIGN CHOICES

OVENS

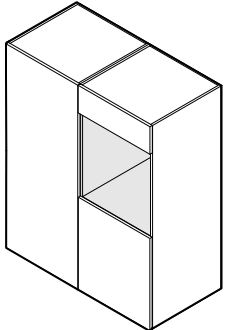
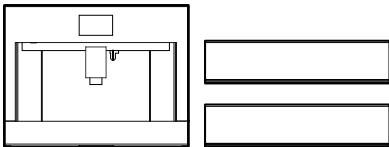
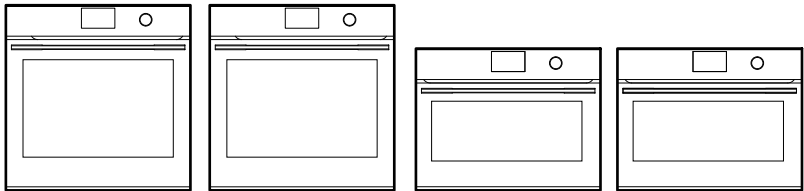
STEAM OVENS

SPEED OVENS

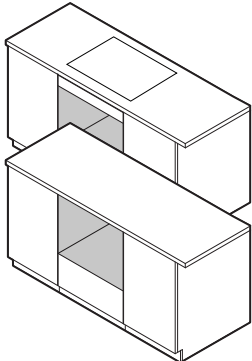
COFFEE MAKER

DRAWERS

INSTALLATION OPTIONS



Installation in wall



Installation under-bench

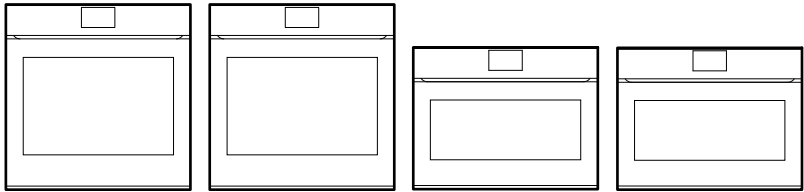
COLOUR



Black Glass

DIAL AND HANDLE FAMILY

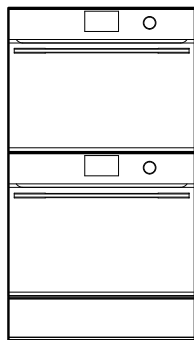
HANDLELESS FAMILY



The models shown in this Planning Guide may not be available in all markets and are subject to change at any time. Product specifications may vary from those shown. This Planning Guide should not be used as installation guidance for any product. Further information is required to safely and correctly install the products featured here. Specific installation guidance will be available on our website fisherpaykel.com

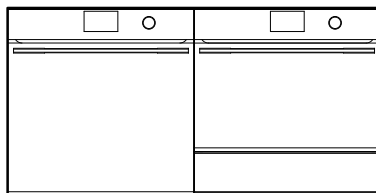
STACKED INSTALLATION

Stack Height
41 3/4" (1060mm)



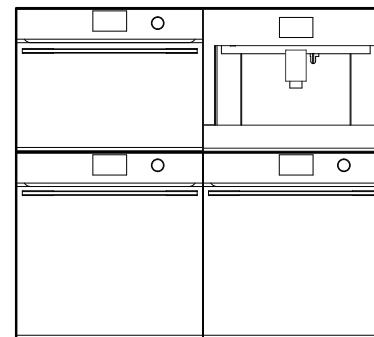
ROW INSTALLATION

Stack Height
23 5/8" (600mm)

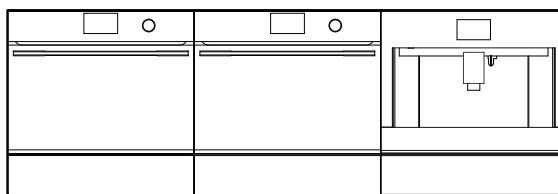


GRID INSTALLATION

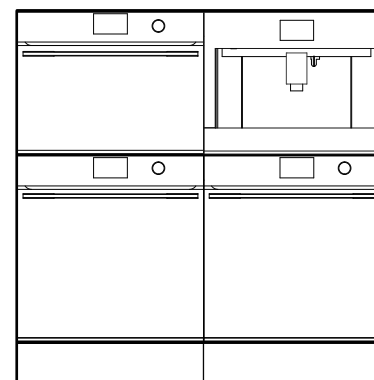
Stack Height
41 3/4" (1060mm)



Stack Height
23 5/8" (600mm)



Stack Height
47 1/4" (1200mm)



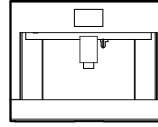
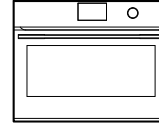
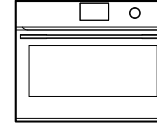
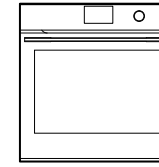
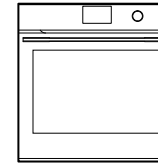


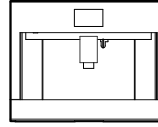
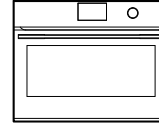
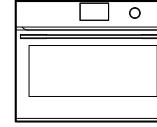
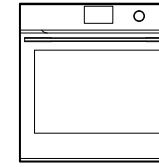
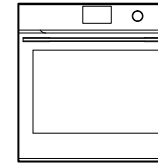
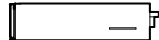
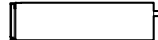
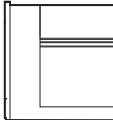

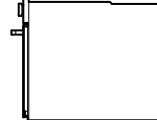
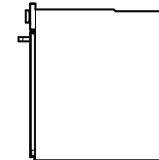
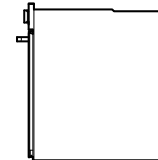
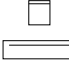
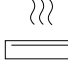
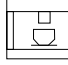
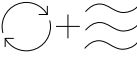
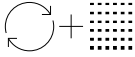
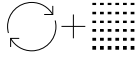



CONSIDERATIONS

Different configurations possible, considerations are height, colour, dial and handle or handleless.

Note: Stack Height is overall product height with minimum clearances above appliance front panel to upper cabinetry front panel or appliance.

The models shown in this Planning Guide may not be available in all markets and are subject to change at any time. Product specifications may vary from those shown. This Planning Guide should not be used as installation guidance for any product. Further information is required to safely and correctly install the products featured here. Specific installation guidance will be available on our website fisherpaykel.com

| |  |  |  |  |  |  |  |
|----------------------------|--|--|--|--|--|--|--|
| FRONT ELEVATION |  |  |  |  |  |  |  |
| SIDE ELEVATION |  |  |  |  |  |  |  |
| |  |  |  |  |  |  |  |
| | VACUUM SEAL DRAWER | WARMING DRAWER | BUILT-IN COFFEE MAKER | CONVECTION SPEED OVEN | COMBINATION STEAM OVEN | COMBINATION STEAM OVEN | OVEN |
| Series | Series 9 | Series 9 | Series 9 | Series 9 | Series 9 | Series 11 | Series 9 |
| Model Codes Black Glass | VB24SMB1-SET | WB24SMB1-SET | EB24MSB1 | OM24NMTDB1 | OS24NMTDB1 | OS24SMTDB1 | OB24SMPTDB1 |
| Interface | - | - | 4.3" Touchscreen | 5" Touchscreen | 5" Touchscreen | 5" Touchscreen | 5" Touchscreen |
| Overall Product Heights | 5 1/2" (140mm) | 5 1/2" (140mm) | 18" (458mm) | 18" (458mm) | 18" (458mm) | 23 9/16" (598mm) | 23 9/16" (598mm) |
| Front Panel Thickness | 13/16" (20mm) | 13/16" (20mm) | 13/16" (20mm) | 13/16" (20mm) | 13/16" (20mm) | 13/16" (20mm) | 13/16" (20mm) |

The models shown in this Planning Guide may not be available in all markets and are subject to change at any time. Product specifications may vary from those shown. This Planning Guide should not be used as installation guidance for any product. Further information is required to safely and correctly install the products featured here. Specific installation guidance will be available on our website fisherpaykel.com

SPECIFICATION GUIDE



OB24SMPTDB1



OB24SMPTDB1

OVERVIEW

Designed to fit seamlessly into any kitchen with Minimal styling, this 24" oven features a generous 3 cu ft total capacity. Achieve perfect results with 16 oven functions, plus a Wireless Temperature Sensor* for monitoring cooking in real time. Beautiful to use, the large 5" touchscreen interface features simple and intuitive guided cooking, while Pyrolytic self-cleaning breaks down grime and grease, to keep the oven pristine for the next use.

*sold separately

PRODUCTS

OB24SMPTDB1 - Black Glass
Oven, 24", 16 Function, Self-cleaning

SERIES & STYLE

Series 9
Minimal

ACCESSORIES

- ① Broil Grid
- ② Broil Pan
- ③ Broil Rack
- ④ 2x Full Extension Sliding Shelf
- ⑤ Step Down Wire Shelf
- ⑥ Wired Temperature Sensor
- ⑦ Pyrolytic Proof Shelf Runners

FEATURES

- ① Minimal style, designed to fit flush with cabinetry
- ② Generous 3 cu ft total capacity with six shelf positions
- ③ Intuitive, large 5" touchscreen display with illuminated dial
- ④ 16 oven functions including Air fry, Fan Bake, and Roast
- ⑤ Pyrolytic self-cleaning function breaks down food residue for an easy clean
- ⑥ Includes a Wired Temperature Sensor for real-time monitoring of cooking temperatures
- ⑦ Guided touchscreen cooking makes it simple to cook by food, function or recipe
- ⑧ Moisture control and even heat distribution thanks to ActiveVent and AeroTech™ technology
- ⑨ Automatic rapid pre-heat function for added convenience
- ⑩ Soft open and close door
- ⑪ Wi-Fi/Connected capability through the SmartHQ™ app

The models shown in this Planning Guide may not be available in all markets and are subject to change at any time. Product specifications may vary from those shown. This Planning Guide should not be used as installation guidance for any product. Further information is required to safely and correctly install the products featured here. Specific installation guidance will be available on our website fisherpaykel.com



OS24SMTDB1



OS24SMTDB1

OVERVIEW

Experience the precise control, repeatability and certainty of steam with our flagship Combination Steam Oven. Harnessing all the advantages of AeroTech™ technology, the oven features 23 functions, including steam-only, convection-only, or a combination of both. A Wireless Temperature Sensor* precisely monitors food in real time, while the intuitive interface and dial offer simple guided cooking, helping to ensure perfect results.

*sold separately

PRODUCTS

OS24SMTDB1 - Black Glass
Combination Steam Oven, 24", 23 Function

SERIES & STYLE

Series 11
Minimal

ACCESSORIES

- ① Broil Grid
- ② Broil Pan
- ③ Broil Rack
- ④ 2x Descale Solutions
- ⑤ 2x Full Extension Sliding Shelves
- ⑥ Large Steam Dish

FEATURES

- ① Minimal style, designed to fit flush with cabinetry
- ② Generous 3 cu ft total capacity with six shelf positions
- ③ Intuitive, large 5" touchscreen display with illuminated dial
- ④ 23 oven functions including six steam-only functions
- ⑤ Moisture control and even heat distribution thanks to ActiveVent and AeroTech™ technology
- ⑥ Guided touchscreen cooking makes it simple to cook by food, function or recipe
- ⑦ Includes a Wired Temperature Sensor for real-time monitoring of cooking temperatures
- ⑧ Water tank capacity of 50.7 fl oz
- ⑨ Wi-Fi/Connected capability through the SmarthQ™ app

ACCESSORIES

- ⑩ Small Perforated Steam Dish
- ⑪ Wired Temperature Sensor
- ⑫ Large Perforated Steam Dish
- ⑬ Chromed Shelf Runners
- ⑭ Step Down Wire Shelf

The models shown in this Planning Guide may not be available in all markets and are subject to change at any time. Product specifications may vary from those shown. This Planning Guide should not be used as installation guidance for any product. Further information is required to safely and correctly install the products featured here. Specific installation guidance will be available on our website fisherpaykel.com

OVERVIEW

With timeless Minimal styling, the compact Combination Steam Oven is designed to fit seamlessly into any kitchen. It features 23 functions, including steam-only, convection-only, or a combination of both. Reduce the need for oils and fats with six standalone steam functions, perfect for creating flavourful and healthy restaurant-quality meals at home. Beautiful to use, the large 5" touchscreen interface has simple and intuitive guided cooking, helping to ensure perfect results.

PRODUCTS

OS24NMTDB1 - Black Glass
Combination Steam Oven, 24", 23 Function

SERIES & STYLE

Series 9
Minimal

FEATURES

- ① Minimal style, designed to fit flush with cabinetry
- ② 1.94 cu ft total capacity
- ③ Intuitive, large 5" touchscreen display with illuminated dial
- ④ 23 oven functions, including six steam-only functions
- ⑤ Includes a Wired Temperature Sensor for real-time monitoring of cooking temperatures
- ⑥ Guided touchscreen cooking makes it simple to cook by food, function or recipe
- ⑦ Moisture control and even heat distribution thanks to ActiveVent and AeroTech™ technology
- ⑧ Motorised control panel reveals large 50.7 fl oz water tank
- ⑨ Wi-Fi/Connected capability through the SmartHQ™ app

ACCESSORIES

- ① Chromed Shelf Runners
- ② Full Extension Sliding Shelf
- ③ Broil Pan
- ④ Broil Rack
- ⑤ 2x Descale Solutions
- ⑥ Large Perforated Steam Dish
- ⑦ Large Steam Dish
- ⑧ Small Perforated Steam Dish
- ⑨ Wired Temperature Sensor
- ⑩ Wire shelf



OS24NMTDB1



OS24NMTDB1

The models shown in this Planning Guide may not be available in all markets and are subject to change at any time. Product specifications may vary from those shown. This Planning Guide should not be used as installation guidance for any product. Further information is required to safely and correctly install the products featured here. Specific installation guidance will be available on our website fisherpaykel.com

OVERVIEW

With timeless Minimal styling, the Convection Speed Oven is designed to fit seamlessly into any kitchen. A flexible appliance that pairs the speed of speed cooking with oven technology, which can crisp and brown as it cooks. Featuring 22 cooking functions on an intuitive touch display for easy programming of desired cooking mode and duration. A Wired Temperature Sensor monitors cooking in real time for complete control.

PRODUCTS

OM24NMTDB1 - Black Glass
Convection Speed Oven, 24", 22 Function

SERIES & STYLE

Series 9
Minimal

FEATURES

- ① Minimal style, designed to fit flush with cabinetry
- ② Compact size for smaller kitchens, and generous 1.7 cu ft capacity with 4 shelf positions to cook for everyday's needs
- ③ Intuitive, large 5" touchscreen display with illuminated dial
- ④ The benefits of both microwave and convection oven cooking in one
- ⑤ 22 cooking functions, including 14 traditional convection functions, 4 microwave-only functions, and 4 microwave combination functions
- ⑥ Guided touchscreen cooking makes it simple to cook by food and function
- ⑦ Includes a Wired Temperature Sensor for real-time monitoring of cooking temperatures
- ⑧ Inverter technology for fast and even heating, and quiet product operation
- ⑨ Wi-Fi/Connected capability through the SmartHQ™ app

ACCESSORIES

- ① Chromed Shelf Runners
- ② Glass Tray
- ③ Step Down Wire Shelf
- ④ Wire Shelf
- ⑤ Wired Temperature Sensor
- ⑥ Grill Rack



OM24NMTDB1



OM24NMTDB1

The models shown in this Planning Guide may not be available in all markets and are subject to change at any time. Product specifications may vary from those shown. This Planning Guide should not be used as installation guidance for any product. Further information is required to safely and correctly install the products featured here. Specific installation guidance will be available on our website fisherpaykel.com



EB24MSB1



EB24MSB1

OVERVIEW

The Built-in Coffee Maker features a stylish finish and can be installed in multiple configurations to suit kitchen design and preference. With 13 beverage options, our Coffee Maker is designed to consistently pour delicious coffee – from Flat White to Latte or Americano. Favourite coffee styles are memorized for a fast brew with the push of a button. A programmable timer turns the Coffee Maker on at the ideal time each day, while the conical burr grinder delivers a consistent grind for a perfect coffee.

PRODUCTS

EB24MSB1 - Black Glass
Built-in Coffee Maker, 24"

ACCESSORIES

- ① Thermal milk jug (17fl oz, 0.5L)
- ② Water filter
- ③ Coffee spoon
- ④ Extractable steam outlet
- ⑤ Descaling agent bottle
- ⑥ Telescopic runners

FEATURES

- ① Designed to pair perfectly with 24" ovens and companion products
- ② Available in black glass finish
- ③ Install in multiple configurations to suit your kitchen design
- ④ Intuitive touch display
- ⑤ 13 functions to suit any taste and selection – from Espresso to Latte
- ⑥ Programmable timer turns on the Coffee Maker at the ideal time each day
- ⑦ Favourite coffee types are memorized and stored in custom profiles
- ⑧ Stainless steel conical burr grinder with 13 coarseness positions
- ⑨ 15 bar pump pressure
- ⑩ Self-cleaning function and easy to empty coffee grounds container and drip tray
- ⑪ 84.5fl oz, 2.4L water tank capacity

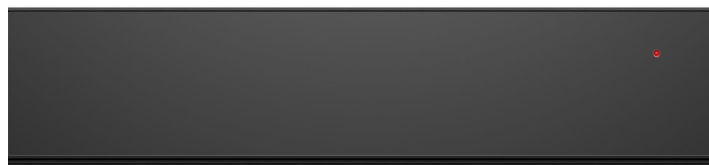
SERIES & STYLE

Series 9
Minimal

The models shown in this Planning Guide may not be available in all markets and are subject to change at any time. Product specifications may vary from those shown. This Planning Guide should not be used as installation guidance for any product. Further information is required to safely and correctly install the products featured here. Specific installation guidance will be available on our website fisherpaykel.com



Warming Drawer WB24SMB1-SET, paired with Steam Oven OS24NMTDB1



Warming Drawer WB24SMB1-SET

OVERVIEW

Designed to complement our Minimal style ovens, these warming drawers are handle-free, and push-to-open for a coherent, considered look. Beautiful to use, with capacitive touch controls and six tailored functions for warming, proofing, dehydrating and slow cook. Pair with other companion products to create a kitchen suite for every need.

PRODUCTS

WB24SMB1-SET - Black Glass
Warming Drawer, 24", Panel Ready*

*This model comes with an accessory door panel, and is not suitable for use with a custom door panel

SERIES & STYLE

Series 9
Minimal

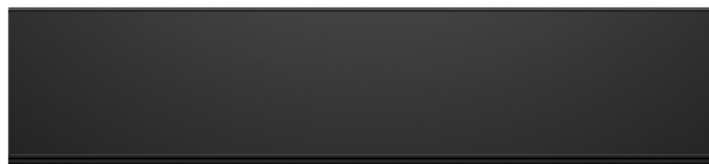
FEATURES

- ① Seamless pairing with our Minimal style ovens and other companion products
- ② Push-to-open drawer
- ③ Easy-to-use capacitive touch controls
- ④ Easy-to-clean, smooth-glass base
- ⑤ Room for six standard-sized place settings
- ⑥ Automatic timing, switch-off functionality
- ⑦ Interior LED lighting
- ⑧ Versatile with six tailored programmes for warming, proofing, dehydrating and slow cook

The models shown in this Planning Guide may not be available in all markets and are subject to change at any time. Product specifications may vary from those shown. This Planning Guide should not be used as installation guidance for any product. Further information is required to safely and correctly install the products featured here. Specific installation guidance will be available on our website fisherpaykel.com



Vacuum Seal Drawer VB24SMB1-SET, paired with Steam Oven OS24NMTDB1



Vacuum Seal Drawer VB24SMB1-SET

OVERVIEW

Designed to match our Minimal style appliances, the Vacuum Seal Drawer is the ideal companion for our Combination Steam Oven. Prepares food for sous vide cooking, or vacuum sealing for marinating, food storage and portioning and resealing. Beautiful to use, with capacitive touch controls, these drawers deliver the performance to achieve perfect results.

PRODUCTS

VB24SMB1-SET - Black Glass
Vacuum Seal Drawer, 24", Panel Ready*

*This model comes with an accessory door panel, and is not suitable for use with a custom door panel

SERIES & STYLE

Series 9
Minimal

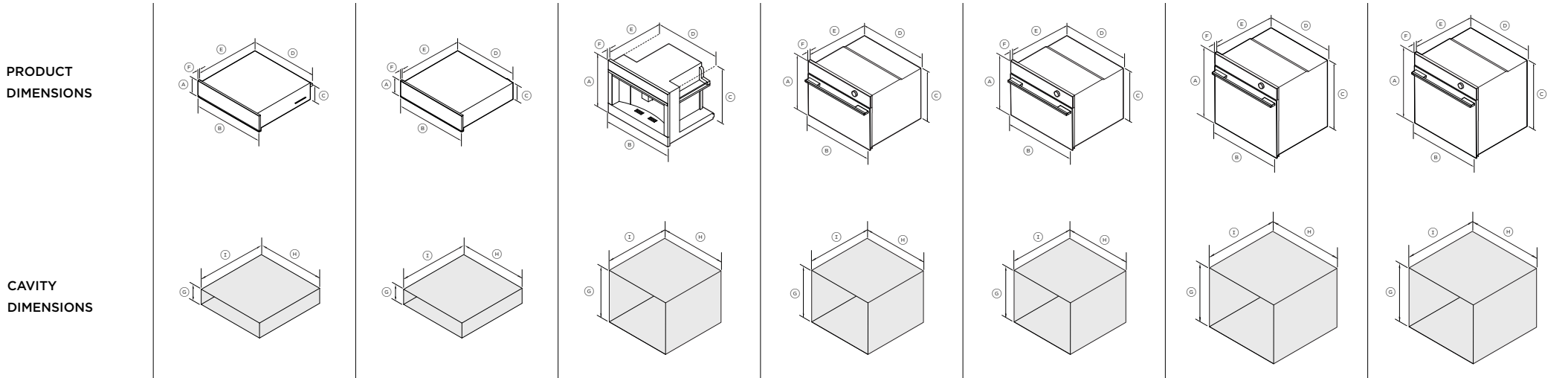
FEATURES

- ① Seamless pairing with our Minimal style ovens and other companion products
- ② Push-to-open drawer
- ③ Three levels of vacuum and heat sealing
- ④ Easy-to-clean base
- ⑤ Easy-to-use capacitive touch controls
- ⑥ Vacuum sealing for easy food portioning, marinating, storage and extended shelf life, or re-sealing
- ⑦ Effortless preparation for sous vide cooking
- ⑧ Maintenance and moisture indicator

ACCESSORIES

- ① External vacuuming accessory kit
- ② Large BPA-free vacuum seal bags (50 bags, part 793034)
- ③ Small BPA-free vacuum seal bags (50 bags, part 793033)

The models shown in this Planning Guide may not be available in all markets and are subject to change at any time. Product specifications may vary from those shown. This Planning Guide should not be used as installation guidance for any product. Further information is required to safely and correctly install the products featured here. Specific installation guidance will be available on our website fisherpaykel.com



VACUUM SEAL DRAWER
VB24SMB1-SET

WARMING DRAWER
WB24SMB1-SET

BUILT-IN COFFEE MAKER
EB24MSB1

CONVECTION SPEED OVEN
OM24NMTDB1

COMBINATION STEAM OVEN
OS24NMTDB1

COMBINATION STEAM OVEN
OS24SMTDB1

OVEN
OB24SMPDTDB1

PRODUCT DIMENSIONS

| | | | | | | | |
|-------------------------------|-------------------|------------------|------------------|------------------|------------------|------------------|------------------|
| Ⓐ Overall height | 5 1/2" (140mm) | 5 1/2" (140mm) | 18" (458mm) | 18" (458mm) | 18" (458mm) | 23 9/16" (598mm) | 23 9/16" (598mm) |
| Ⓑ Overall width | 23 7/16" (596mm) | 23 7/16" (596mm) | 23 7/16" (596mm) | 23 7/16" (596mm) | 23 7/16" (596mm) | 23 7/16" (596mm) | 23 7/16" (596mm) |
| Ⓒ Chassis height | 5 1/2" (140mm) | 5 1/2" (140mm) | 17 1/2" (445mm) | 17 1/8" (435mm) | 17 1/8" (435mm) | 22 5/8" (575mm) | 22 5/8" (575mm) |
| Ⓓ Chassis width | 21 7/8" (556mm)** | 21 3/8" (543mm) | 22 1/16" (560mm) | 21 7/8" (556mm) | 21 7/8" (556mm) | 21 7/8" (556mm) | 21 7/8" (556mm) |
| Ⓔ Chassis depth | 21 7/16" (545mm) | 21 9/17" (547mm) | 18 1/8" (460mm) | 21 7/16" (545mm) | 21 7/16" (545mm) | 21 7/16" (545mm) | 21 7/16" (545mm) |
| Ⓕ Front panel thickness | 13/16" (20mm) | 13/16" (20mm) | 13/16" (20mm) | 13/16" (20mm)* | 13/16" (20mm) | 13/16" (20mm) | 13/16" (20mm) |
| Depth of oven door fully open | - | - | - | 12 5/8" (320mm)* | 12 5/8" (320mm)* | 18 1/8" (460mm)* | 18 1/8" (460mm)* |

*Measured from front of control panel

**Includes side brackets

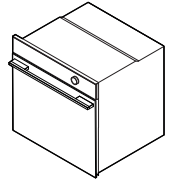
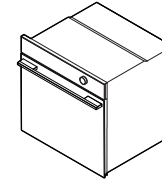
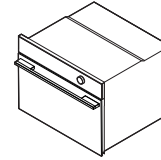
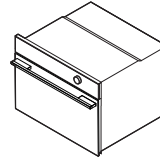
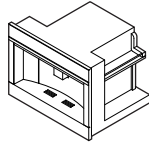
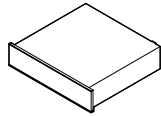
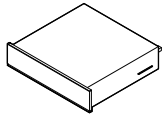
CAVITY DIMENSIONS

| | | | | | | | |
|-----------------------------------|-------------------|-------------------|-------------------|------------------|------------------|-------------------|-------------------|
| Ⓖ Minimum inside height of cavity | 5 9/16" (142mm)** | 5 9/16" (142mm)** | 17 3/4" (450mm) | 17 5/16" (440mm) | 17 5/16" (440mm) | 22 13/16" (580mm) | 22 13/16" (580mm) |
| Ⓗ Minimum inside width of cavity | 22 1/16" (560mm) | 22 1/16" (560mm) | 22 1/16" (560mm) | 22 1/16" (560mm) | 22 1/16" (560mm) | 22 1/16" (560mm) | 22 1/16" (560mm) |
| Ⓘ Minimum inside depth of cavity | 21 5/8" (550mm) | 21 5/8" (550mm) | 21 7/16" (545mm)* | 21 5/8" (550mm)* | 21 5/8" (550mm) | 21 5/8" (550mm) | 21 5/8" (550mm) |
| Recommended cabinet width | 23 5/8" (600mm) | 23 5/8" (600mm) | 23 5/8" (600mm) | 23 5/8" (600mm) | 23 5/8" (600mm) | 23 5/8" (600mm) | 23 5/8" (600mm) |

*Requires ventilation at the rear of the cavity

**Standalone installation measurement can be installed with appliance on top. Drawers can fully support 24" Fisher & Paykel wall oven, without adding shelf in between

The models shown in this Planning Guide may not be available in all markets and are subject to change at any time. Product specifications may vary from those shown. This Planning Guide should not be used as installation guidance for any product. Further information is required to safely and correctly install the products featured here. Specific installation guidance will be available on our website fisherpaykel.com



VACUUM SEAL DRAWER
VB24SMB1-SET

WARMING DRAWER
WB24SMB1-SET

BUILT-IN COFFEE MAKER
EB24MSB1

CONVECTION SPEED OVEN
OM24NMTDB1

COMBINATION STEAM OVEN
OS24NMTDB1

COMBINATION STEAM OVEN
OS24SMTDB1

OVEN
OB24SMPTDB1

POWER REQUIREMENTS

| | | | | | | | |
|------------|----------------------------|----------------------------|------------------------------|---------------------|---------------------|---------------------|---------------------|
| Supply | 120 V, 60 Hz | 120 V, 60 Hz | 120 V, 60 Hz | 208 or 240 V, 60 Hz | 208 or 240 V, 60 Hz | 208 or 240 V, 60 Hz | 208 or 240 V, 60 Hz |
| Service | 10 A | 10 A | 10 A | 20 A | 20 A | 20 A | 20 A |
| Connection | Flex cord 70 7/8" (1800mm) | Flex cord 70 7/8" (1800mm) | Flex cord 66 15/16" (1700mm) | Hard wired | Hard wired | Hard wired | Hard wired |

WEIGHT

| | | | | | | | |
|------------|-------------|-------------|-------------|--------------|--------------|--------------|-------------|
| Packaged | 84lb (42kg) | 49lb (22kg) | 86lb (39kg) | 101lb (46kg) | 155lb (52kg) | 143lb (65kg) | 97lb (44kg) |
| Unpackaged | 77lb (35kg) | 40lb (18kg) | 64lb (29kg) | 90lb (41kg) | 86lb (39kg) | 101lb (46kg) | 84lb (38kg) |

CAPACITY

| | | | | | | | |
|------------------|---|---|-----------------|----------------|-----------------|-------------------|--------------|
| Total oven | - | - | - | 1.7cu ft (49L) | 1.94cu ft (55L) | 3cu ft (85L) | 3cu ft (85L) |
| Total water tank | - | - | 47 fl oz (1.4L) | - | 47 fl oz (1.4L) | 84.5 fl oz (2.4L) | - |

SERVICES

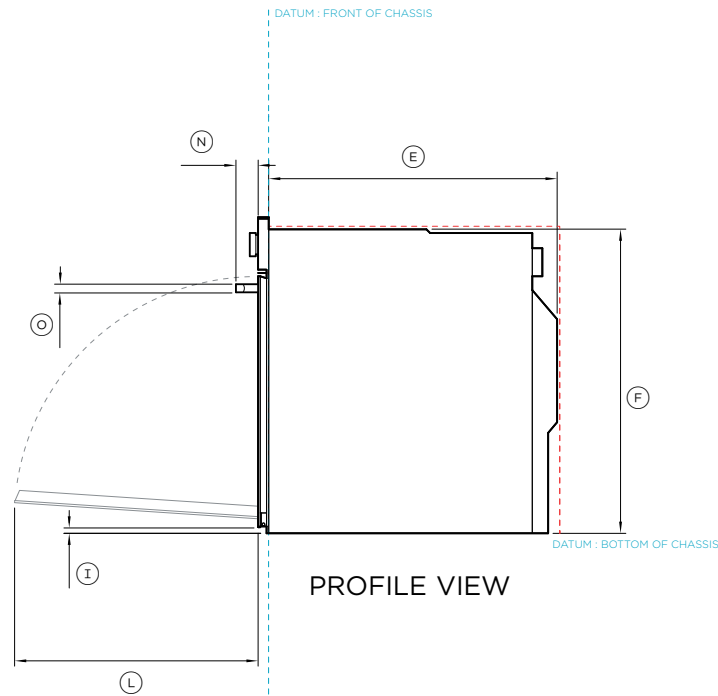
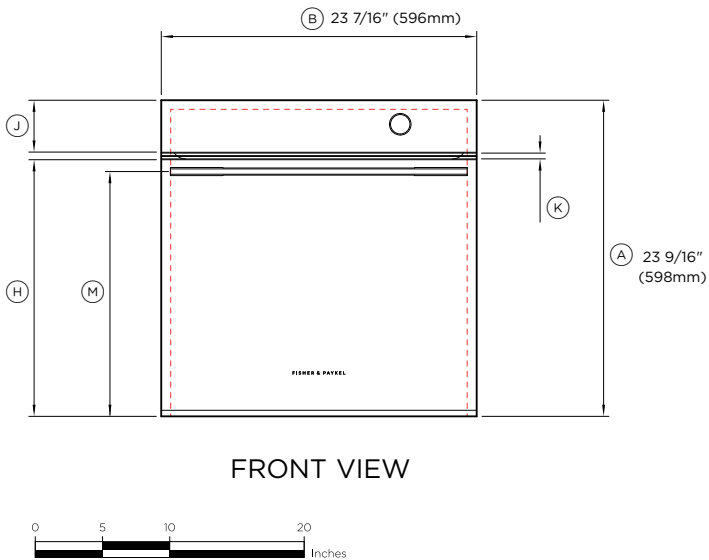
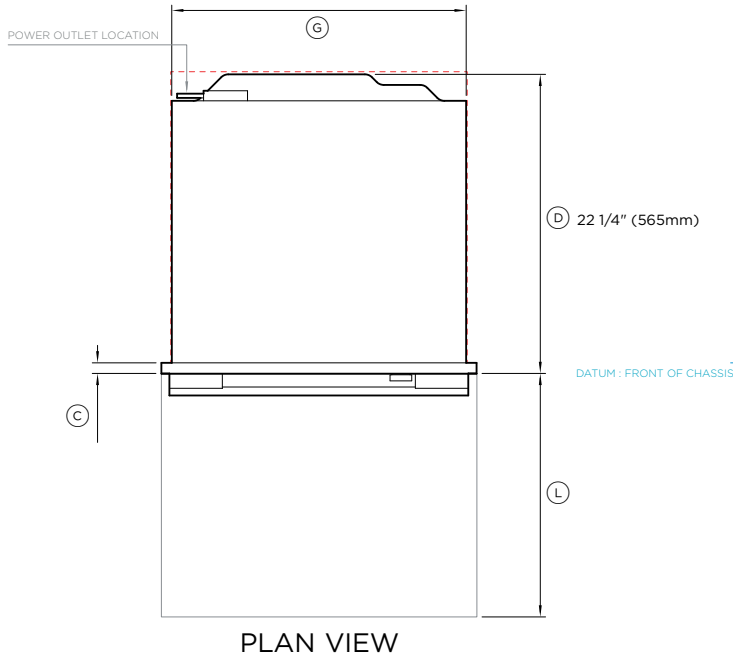
For more information on cord length, water supply and electrical requirements, refer to the 'Services' section of this Planning Guide.

WATER

All Coffee Makers and Steam Ovens have internal water tanks which need to be filled manually. No external water supply is required.

The models shown in this Planning Guide may not be available in all markets and are subject to change at any time. Product specifications may vary from those shown. This Planning Guide should not be used as installation guidance for any product. Further information is required to safely and correctly install the products featured here. Specific installation guidance will be available on our website fisherpaykel.com

DATA SHEETS



Model no:

Oven, 24" - OB24SMPTDB1

| Product Dimensions | inch | mm |
|---|---------|-----|
| (A) Overall height of product | 23 9/16 | 598 |
| (B) Overall width of product | 23 7/16 | 596 |
| (C) Depth of control panel (excludes dial and handle) | 13/16 | 20 |
| (D) Depth of chassis and control panel (excludes dial and handle) | 22 1/4 | 565 |
| (E) Depth of chassis | 21 7/16 | 545 |
| (F) Height of chassis | 22 5/8 | 575 |
| (G) Width of chassis | 21 7/8 | 556 |
| (H) Height from bottom datum to top of oven door | 19 3/16 | 487 |
| (I) Height from bottom datum to bottom of door | 1/2 | 12 |
| (J) Height of control panel | 3 15/16 | 100 |
| (K) Gap between door and control panel | 7/16 | 11 |
| (L) Depth of door when open (measured from front of door) | 18 1/8 | 460 |
| (M) Height from bottom datum to centerline of handle | 18 1/4 | 464 |
| (N) Depth of handle (measured from front of door) | 1 5/8 | 42 |
| (O) Thickness of handle | 5/8 | 16 |

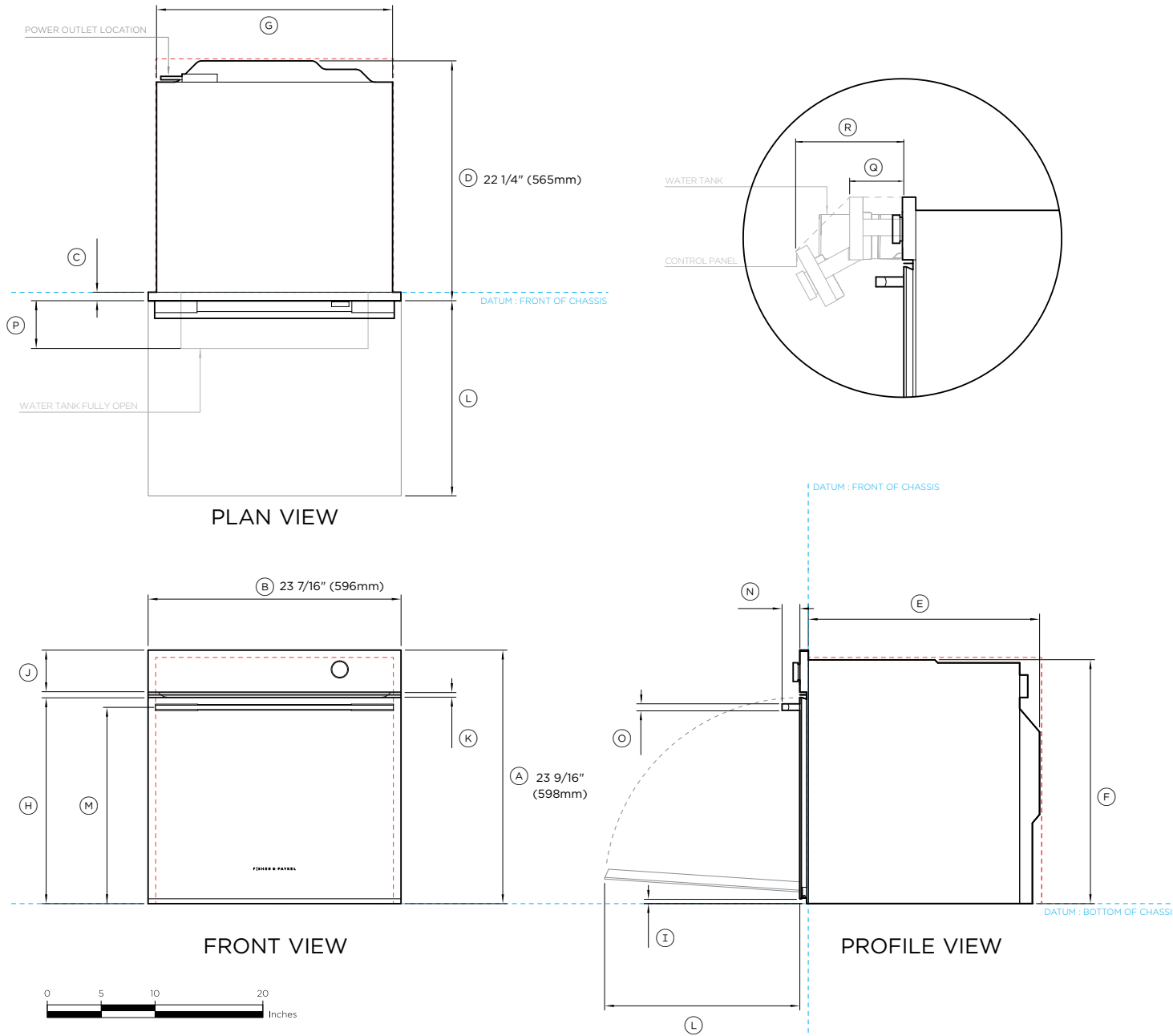
| Minimum Clearances - Flush Installation | inch | mm |
|---|----------|-----|
| Minimum inside height of cavity | 22 13/16 | 580 |
| Minimum inside width of cavity | 22 1/16 | 560 |
| Minimum inside depth of cavity | 21 5/8 | 550 |
| Minimum clearances above oven control panel to upper cabinetry front panel or appliance | 1/16 | 2 |
| Minimum clearances between bottom of oven chassis to lower cabinetry front panel or appliance | 1/16 | 2 |

Ensure a 3/16" (5mm) minimum clearance is maintained between the top of the oven chassis and the cabinetry. Ensure the oven is not bearing any weight from cabinetry or products installed above.

IMPORTANT NOTE: For full installation and clearance details please refer to our installation

INDICATES CABINETRY / PRODUCT DATUM -----
 INDICATES CABINETRY CLEARANCES - - - - -

IMPORTANT NOTE: Throughout this guide, dimensions may vary by ±2mm (1/16"). Please read the Installation Guide for detailed information on installing the product. For full installation instructions visit fisherpaykel.com



Model no:

Combination Steam Oven, 24" - OS24SMTDB1

| Product Dimensions | inch | mm |
|---|---------|-----|
| A Overall height of product | 23 9/16 | 598 |
| B Overall width of product | 23 7/16 | 596 |
| C Depth of control panel (excludes dial and handle) | 13/16 | 20 |
| D Depth of chassis and control panel (excludes dial and handle) | 22 1/4 | 565 |
| E Depth of chassis | 21 7/16 | 545 |
| F Height of chassis | 22 5/8 | 575 |
| G Width of chassis | 21 7/8 | 556 |
| H Height from bottom datum to top of oven door | 19 3/16 | 487 |
| I Height from bottom datum to bottom of door | 1/2 | 12 |
| J Height of control panel | 3 15/16 | 100 |
| K Gap between door and control panel | 7/16 | 11 |
| L Depth of door when open (measured from front of door) | 18 1/8 | 460 |
| M Height from bottom datum to centerline of handle | 18 1/4 | 464 |
| N Depth of handle (measured from front of door) | 1 5/8 | 42 |
| O Thickness of handle | 5/8 | 16 |
| P Control panel fully open (measured from front of door) | 6 11/16 | 170 |
| Q Control panel half open (measured from front of door) | 3 5/16 | 84 |
| R Water tank carriage fully open (measured from front of door) | 5 1/4 | 133 |

| Minimum Clearances - Flush Installation | inch | mm |
|---|----------|-----|
| Minimum inside height of cavity | 22 13/16 | 580 |
| Minimum inside width of cavity | 22 1/16 | 560 |
| Minimum inside depth of cavity | 21 5/8 | 550 |
| Minimum clearances above oven control panel to upper cabinetry front panel or appliance | 1/16 | 2 |
| Minimum clearances between bottom of oven chassis to lower cabinetry front panel or appliance | 1/16 | 2 |

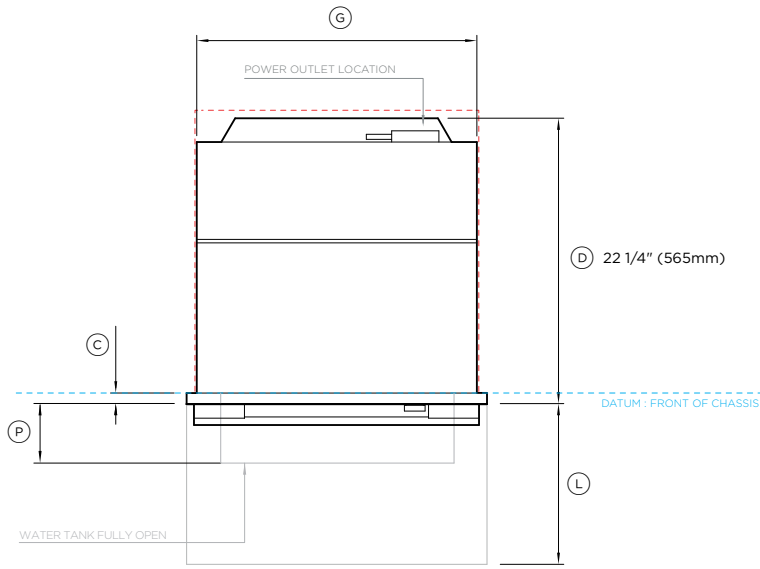
Ensure a 3/16" (5mm) minimum clearance is maintained between the top of the oven chassis and the cabinetry. Ensure the oven is not bearing any weight from cabinetry or products installed above.

IMPORTANT NOTE: For full installation and clearance details please refer to our installation manual.

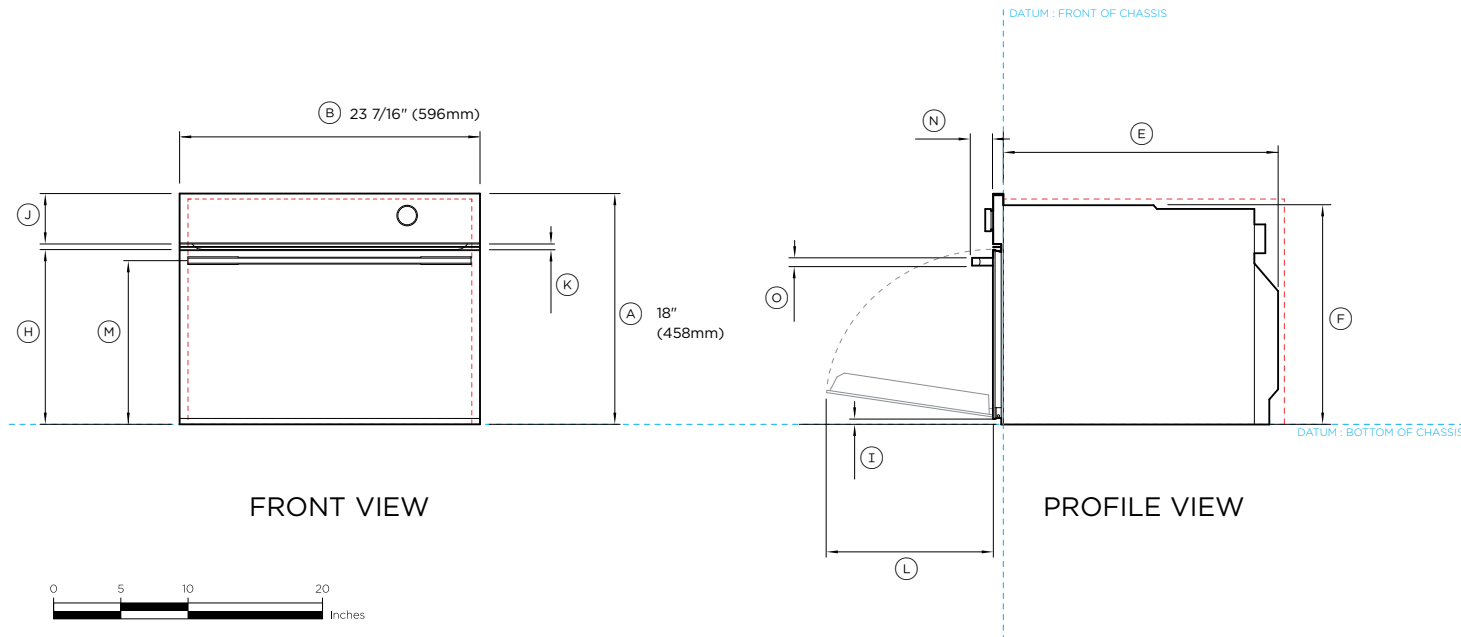
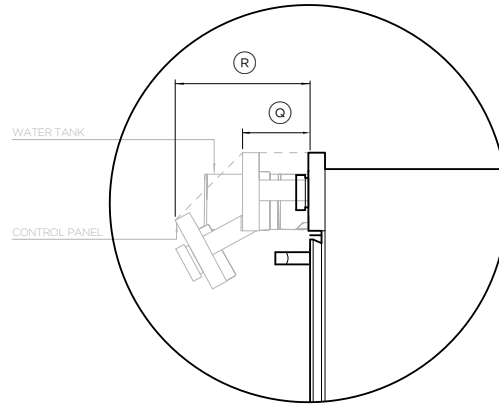
INDICATES CABINETRY / PRODUCT DATUM -----

INDICATES CABINETRY CLEARANCES - - - - -

IMPORTANT NOTE: Throughout this guide, dimensions may vary by ±2mm (1/16"). Please read the Installation Guide for detailed information on installing the product. For full installation instructions visit fisherpaykel.com



PLAN VIEW



FRONT VIEW

PROFILE VIEW

Model no:

Combination Steam Oven, 24" - OS24NMTDB1

Product Dimensions

| | inch | mm |
|---|----------|-----|
| A Overall height of product | 18 | 458 |
| B Overall width of product | 23 7/16 | 596 |
| C Depth of control panel (excludes dial and handle) | 13/16 | 20 |
| D Depth of chassis and control panel (excludes dial and handle) | 22 1/4 | 565 |
| E Depth of chassis | 21 7/16 | 545 |
| F Height of chassis | 17 1/8 | 435 |
| G Width of chassis | 21 7/8 | 556 |
| H Height from bottom datum to top of oven door | 13 11/17 | 347 |
| I Height from bottom datum to bottom of door | 1/2 | 12 |
| J Height of control panel | 3 15/16 | 100 |
| K Gap between door and control panel | 7/16 | 11 |
| L Depth of door when open (measured from front of door) | 12 5/8 | 320 |
| M Height from bottom datum to centerline of handle | 12 3/4 | 324 |
| N Depth of handle (measured from front of door) | 1 5/8 | 42 |
| O Thickness of handle | 5/8 | 16 |
| P Control panel fully open (measured from front of door) | 6 11/16 | 170 |
| Q Control panel half open (measured from front of door) | 3 5/16 | 84 |
| R Water tank carriage fully open (measured from front of door) | 5 1/4 | 133 |

Minimum Clearances - Flush Installation

| | inch | mm |
|---|---------|-----|
| Minimum inside height of cavity | 17 5/16 | 440 |
| Minimum inside width of cavity | 22 1/16 | 560 |
| Minimum inside depth of cavity | 21 5/8 | 550 |
| Minimum clearances above oven control panel to upper cabinetry front panel or appliance | 1/16 | 2 |
| Minimum clearances between bottom of oven chassis to lower cabinetry front panel or appliance | 1/16 | 2 |

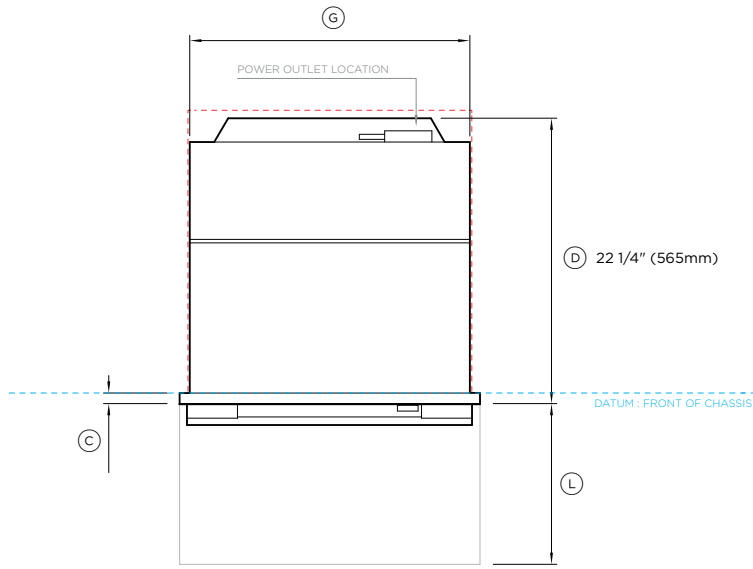
Ensure a 3/16" (5mm) minimum clearance is maintained between the top of the oven chassis and the cabinetry. Ensure the oven is not bearing any weight from cabinetry or products installed above.

IMPORTANT NOTE: For full installation and clearance details please refer to our installation manual.

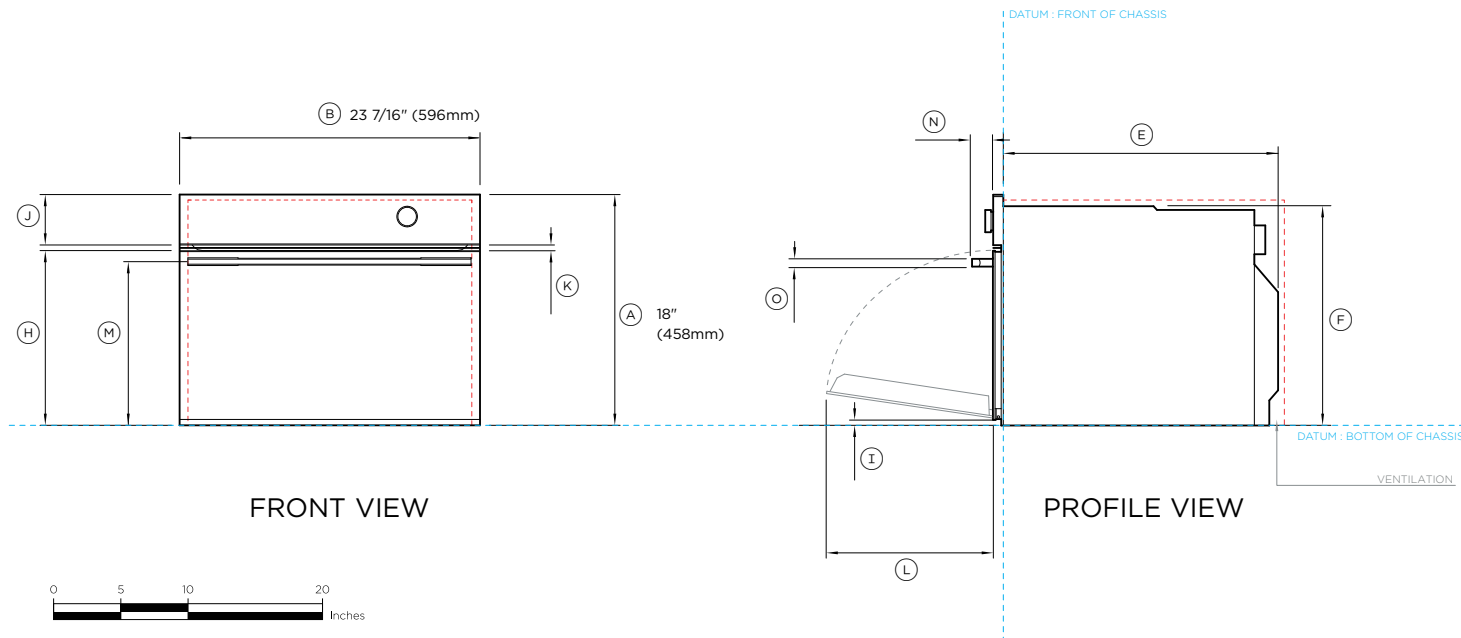
INDICATES CABINETRY / PRODUCT DATUM -----

INDICATES CABINETRY CLEARANCES - - - - -

IMPORTANT NOTE: Throughout this guide, dimensions may vary by ±2mm (1/16"). Please read the Installation Guide for detailed information on installing the product. For full installation instructions visit fisherpaykel.com



PLAN VIEW



FRONT VIEW

PROFILE VIEW



Model no:

Convection Speed Oven, 24" - OM24NMTDB1

| Product Dimensions | inch | mm |
|---|----------|-----|
| Ⓐ Overall height of product | 18 | 458 |
| Ⓑ Overall width of product | 23 7/16 | 596 |
| Ⓒ Depth of control panel (excludes dial and handle) | 13/16 | 20 |
| Ⓓ Depth of chassis and control panel (excludes dial and handle) | 22 1/4 | 565 |
| Ⓔ Depth of chassis | 21 7/16 | 545 |
| Ⓕ Height of chassis | 17 1/8 | 435 |
| Ⓖ Width of chassis | 21 7/8 | 556 |
| Ⓜ Height from bottom datum to top of oven door | 13 11/17 | 347 |
| Ⓣ Height from bottom datum to bottom of door | 1/2 | 12 |
| Ⓝ Height of control panel | 3 15/16 | 100 |
| Ⓧ Gap between door and control panel | 7/16 | 11 |
| Ⓛ Depth of door when open (measured from front of door) | 12 5/8 | 320 |
| Ⓜ Height from bottom datum to centerline of handle | 12 3/4 | 324 |
| Ⓝ Depth of handle (measured from front of door) | 1 5/8 | 42 |
| Ⓞ Thickness of handle | 5/8 | 16 |

| Minimum Clearances - Flush Installation | inch | mm |
|---|---------|-----|
| Minimum inside height of cavity | 17 5/16 | 440 |
| Minimum inside width of cavity | 22 1/16 | 560 |
| Minimum inside depth of cavity | 21 5/8 | 550 |
| Rear ventilation air vent depth* | 2 | 50 |
| Rear ventilation air vent width* | 22 1/16 | 560 |
| Minimum clearances above oven control panel to upper cabinetry front panel or appliance | 1/16 | 2 |
| Minimum clearances between bottom of oven chassis to lower cabinetry front panel or appliance | 1/16 | 2 |

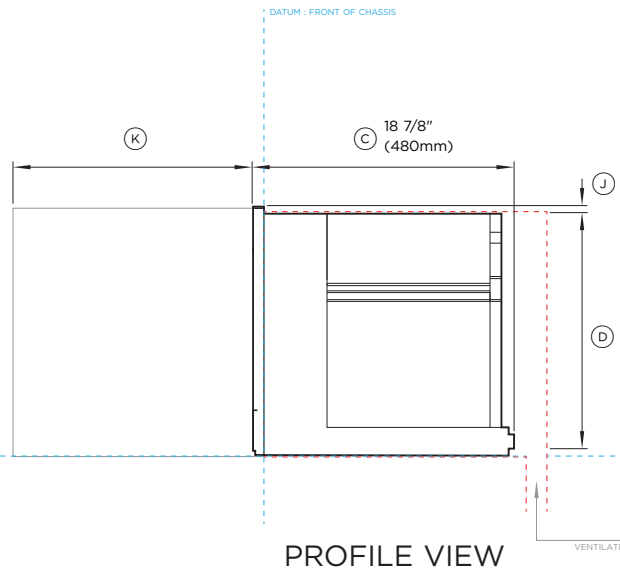
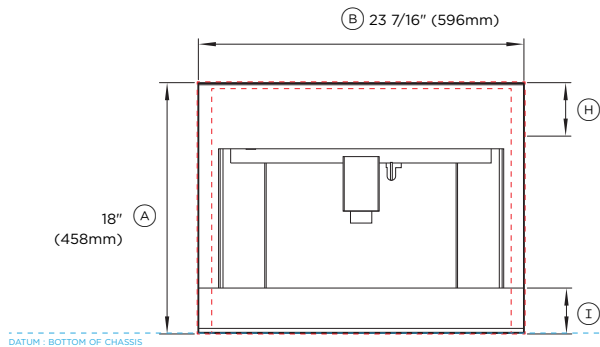
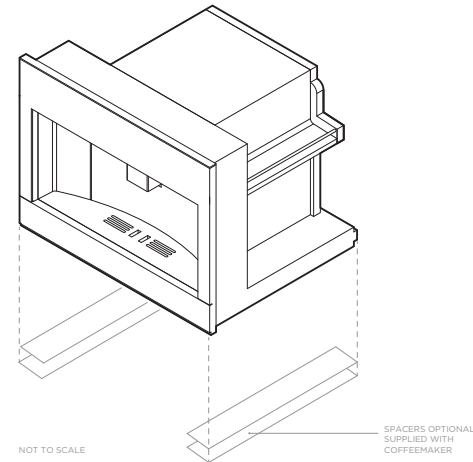
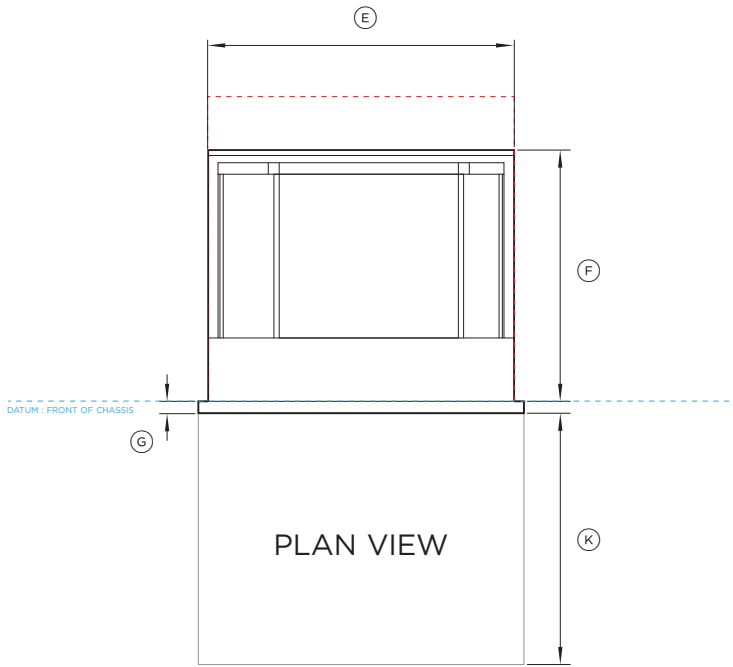
*A rear ventilation air vent totalling 43.4in² (280cm²) is required. The air vent must be located at the rear of the cabinet, it can be positioned at the base, sides, back or top of the cavity.

Ensure a 3/16" (5mm) minimum clearance is maintained between the top of the oven chassis and the cabinetry. Ensure the oven is not bearing any weight from cabinetry or products installed above.

IMPORTANT NOTE: For full installation and clearance details please refer to our installation manual.

INDICATES CABINETRY / PRODUCT DATUM - - - - -
 INDICATES CABINETRY CLEARANCES - - - - -

IMPORTANT NOTE: Throughout this guide, dimensions may vary by ±2mm (1/16"). Please read the Installation Guide for detailed information on installing the product. For full installation instructions visit fisherpaykel.com



Model no:
Built-in Coffee Maker, 24" - EB24MSB1

| Product Dimensions | | inch | mm |
|---------------------------|---|-------------|-----------|
| Ⓐ | Overall height of product | 18 | 458 |
| Ⓑ | Overall width of product | 23 7/16 | 596 |
| Ⓒ | Overall depth of product (excludes front metal trim) | 18 7/8 | 480 |
| Ⓓ | Height of chassis | 17 1/2 | 445 |
| Ⓔ | Width of chassis | 22 1/16 | 560 |
| Ⓕ | Depth of chassis | 18 1/8 | 460 |
| Ⓖ | Depth of coffee maker front frame and control panel (excludes front metal trim) | 13/16 | 20 |
| Ⓜ | Height of control panel | 3 15/16 | 100 |
| Ⓣ | Height of horizontal lower section from bottom datum | 3 1/4 | 83 |
| Ⓝ | Stepdown from control panel to chassis | 1/2 | 13 |
| Ⓧ | Extent coffee maker pulls out | 17 1/8 | 435 |

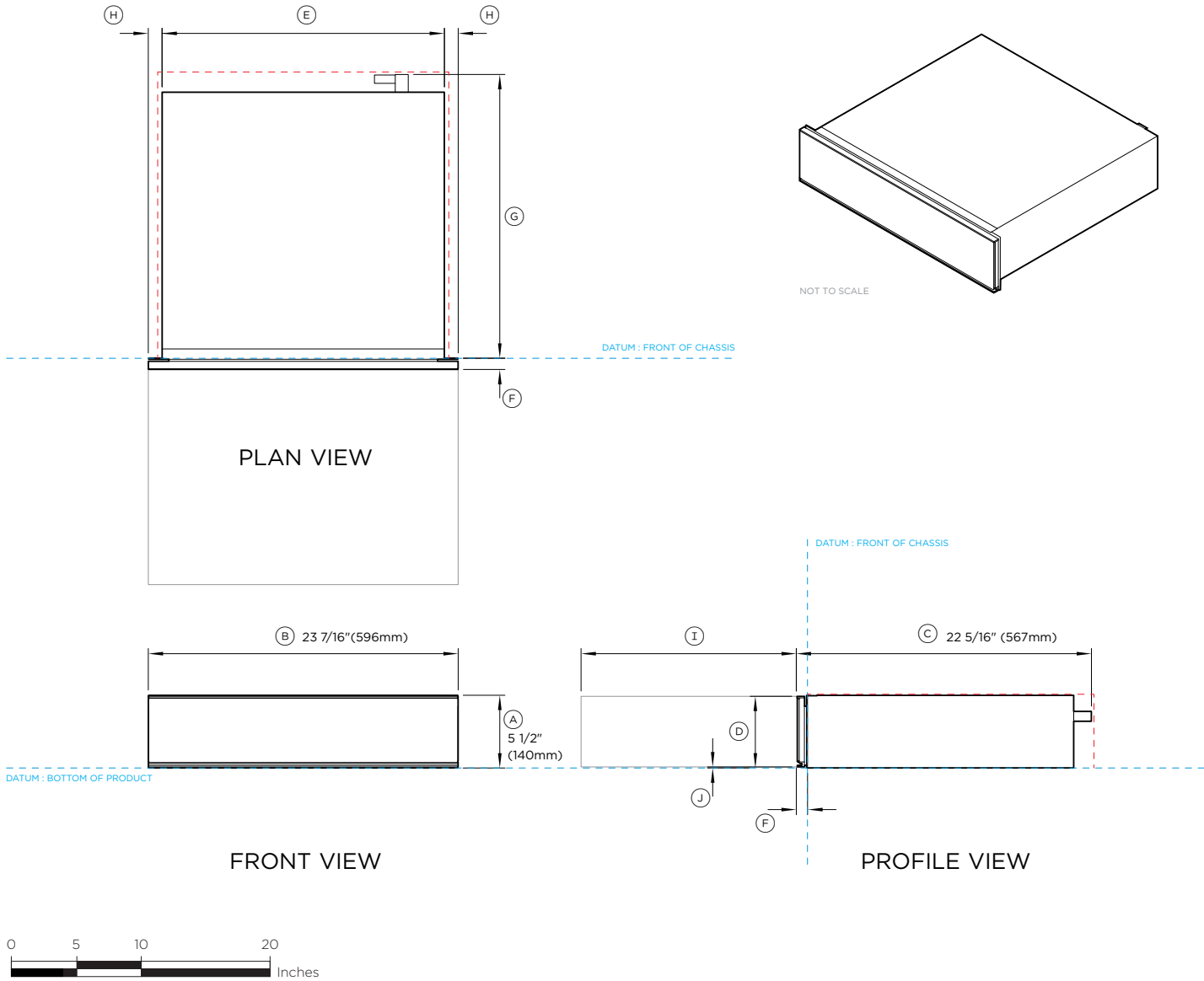
| Minimum Clearances - Flush Installation | | inch | mm |
|--|--|-------------|-----------|
| Minimum inside height of cavity | | 17 3/4 | 450 |
| Minimum inside width of cavity | | 22 1/16 | 560 |
| Minimum inside depth of cavity from front datum | | 21 7/16 | 545 |
| Overall height of cabinetry | | 18 1/8 | 460 |
| Overall width of cabinetry | | 23 5/8 | 600 |
| Rear ventilation air vent depth* | | 2 | 50 |
| Rear ventilation air vent width* | | 22 1/16 | 560 |
| Minimum clearances above built-in coffee maker control panel to upper cabinetry front panel or appliance | | 1/16 | 2 |
| Minimum clearances between bottom of built-in coffee maker rails to lower cabinetry front panel or appliance | | 1/16 | 2 |

*A rear ventilation air vent totalling 43.4in² (280cm²) is required. The air vent must be located at the rear of the cabinet, it can be positioned at the base, sides, back or top of the cavity.

IMPORTANT NOTE: For full installation and clearance details please refer to our installation manual.

INDICATES CABINERY / PRODUCT DATUM -----
INDICATES CABINERY CLEARANCES - - - - -

IMPORTANT NOTE: Throughout this guide, dimensions may vary by ±2mm (1/16"). Please read the Installation Guide for detailed information on installing the product. For full installation instructions visit fisherpaykel.com



Model no:

Warming Drawer, 24" - WB24SMB1-SET

Product Dimensions

| | inch | mm |
|---|----------|-----|
| A Overall height of product | 5 1/2 | 140 |
| B Overall width of product | 23 7/16 | 596 |
| C Overall depth of product (incl. front panel & power plug, excludes stainless cap) | 22 5/16 | 567 |
| D Height of drawer front panel | 5 3/8 | 136 |
| E Width of chassis | 21 3/8 | 543 |
| F Depth of drawer front panel and flange (excludes stainless cap) | 13/16 | 20 |
| G Depth of chassis (includes power plug, excludes flange) | 21 17/32 | 547 |
| H Distance from side of chassis to side of drawer front | 1 13/32 | 36 |
| I Depth of open drawer (measured from front of drawer panel) | 16 5/16 | 414 |
| J Height from bottom of chassis to bottom of front panel | 1/16 | 2 |

Minimum Clearances - Flush Installation

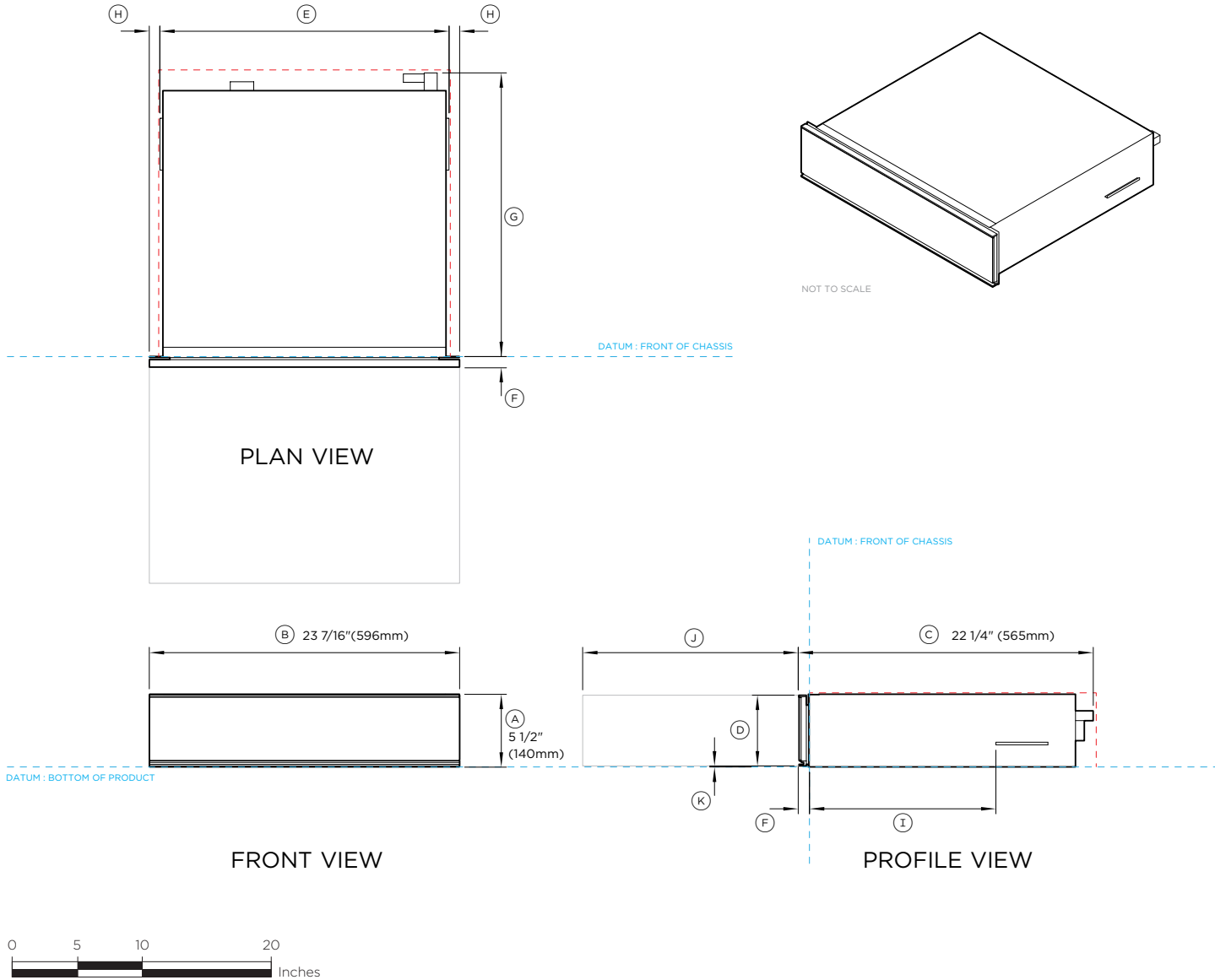
| | inch | mm |
|---|---------|-----|
| Minimum inside height of cavity | 5 9/16 | 142 |
| Minimum inside width of cavity | 22 1/16 | 560 |
| Minimum inside depth of cavity | 21 5/8 | 550 |
| Overall width of cabinetry | 23 5/8 | 600 |
| Minimum clearances above drawer front panel to upper cabinetry front panel or appliance* | 5/32 | 4 |
| Minimum clearances between bottom of drawer chassis to lower cabinetry front panel or appliance | 1/16 | 2 |

*Achieve a smaller gap between drawer front panel to upper cabinetry front panel by dropping cabinetry front panel down

IMPORTANT NOTE: For full installation and clearance details please refer to our installation manual.

INDICATES CABINETRY / PRODUCT DATUM -----
 INDICATES CABINETRY CLEARANCES - - - - -

IMPORTANT NOTE: Throughout this guide, dimensions may vary by ±2mm (1/16"). Please read the Installation Guide for detailed information on installing the product. For full installation instructions visit fisherpaykel.com



Model no:

Vacuum Seal Drawer - VB24SMB1-SET

Product Dimensions

| | inch | mm |
|--|---------|-----|
| (A) Overall height of product | 5 1/2 | 140 |
| (B) Overall width of product | 23 7/16 | 596 |
| (C) Overall depth (incl. front panel & power plug) | 22 1/4 | 565 |
| (D) Height of drawer front panel | 5 3/8 | 136 |
| (E) Width of chassis (includes side brackets) | 21 7/8 | 556 |
| (F) Depth of drawer front panel and flange | 13/16 | 20 |
| (G) Depth of chassis (includes power plug, excludes flange) | 21 7/16 | 545 |
| (H) Distance from side of chassis to side of drawer front | 13/16 | 20 |
| (I) Distance between flange and side bracket | 14 1/16 | 358 |
| (J) Depth of open drawer (measured from front of drawer panel) | 16 5/16 | 414 |
| (K) Height from bottom of chassis to bottom of front panel | 1/16 | 2 |

Minimum Clearances - Flush Installation

| | inch | mm |
|---|---------|-----|
| Minimum inside height of cavity | 5 9/16 | 142 |
| Minimum inside width of cavity | 22 1/16 | 560 |
| Minimum inside depth of cavity | 21 5/8 | 550 |
| Overall width of cabinetry | 23 5/8 | 600 |
| Minimum clearances above drawer front panel to upper cabinetry front panel or appliance* | 5/32 | 4 |
| Minimum clearances between bottom of drawer chassis to lower cabinetry front panel or appliance | 1/16 | 2 |

*Achieve a smaller gap between drawer front panel to upper cabinetry front panel by dropping cabinetry front panel down

IMPORTANT NOTE: For full installation and clearance details please refer to our installation manual.

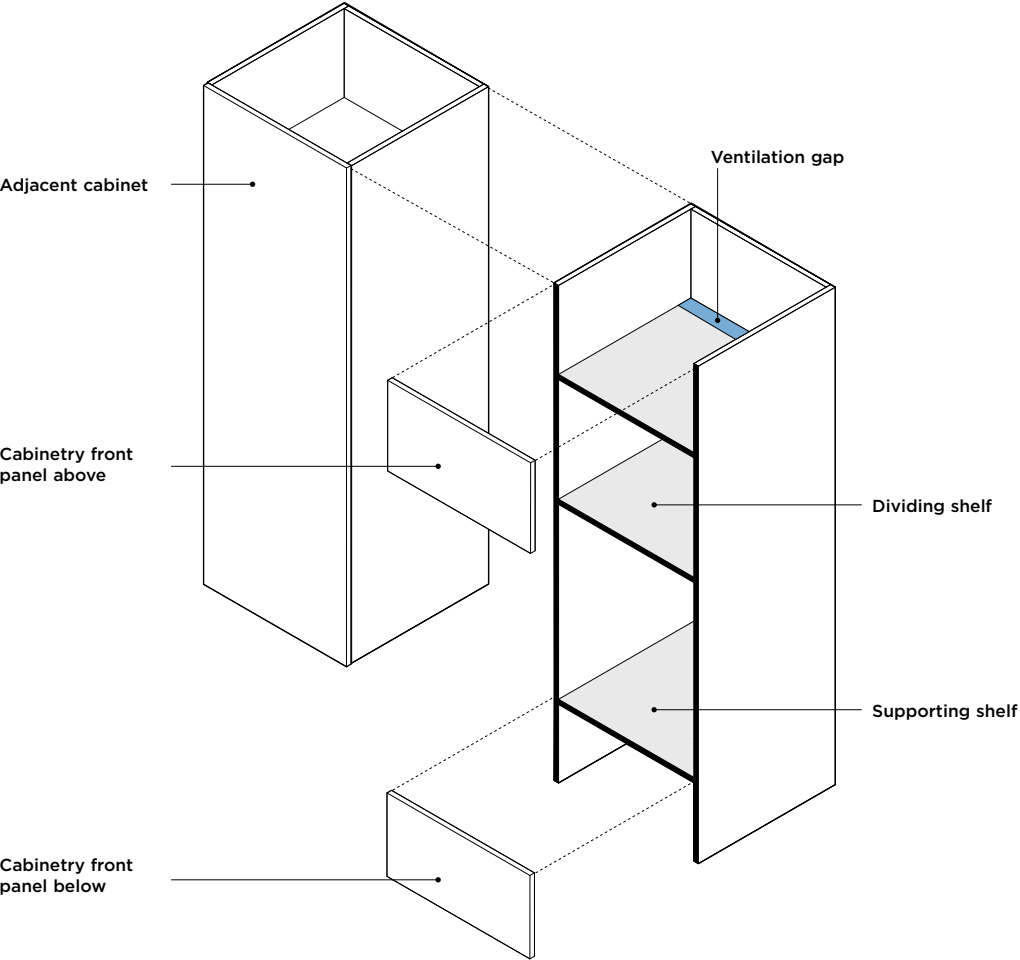
INDICATES CABINERY / PRODUCT DATUM -----
 INDICATES CABINERY CLEARANCES - - - - -

IMPORTANT NOTE: Throughout this guide, dimensions may vary by ±2mm (1/16"). Please read the Installation Guide for detailed information on installing the product. For full installation instructions visit fisherpaykel.com

PLANNING CONSIDERATIONS

BLACK CLASHING

Black clashing recommended on front facing edges where products are located and on side cabinets if cabinet is rebated.

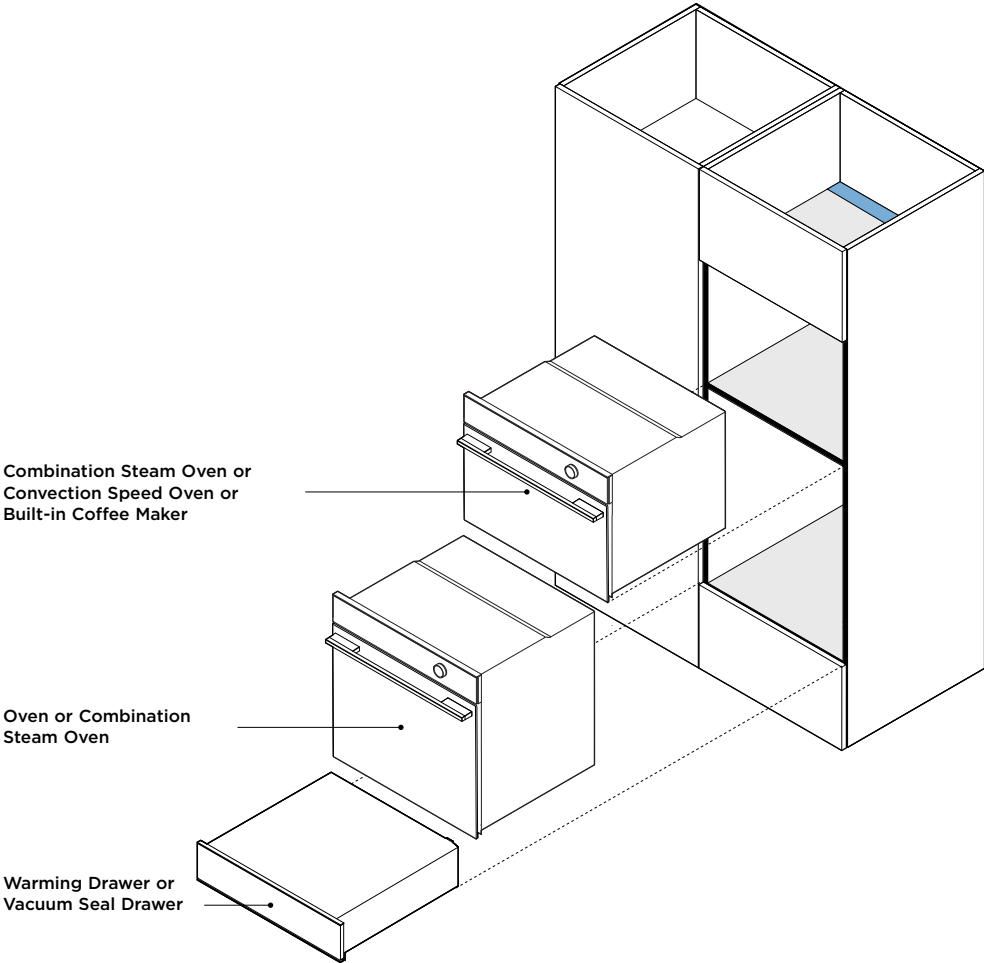


DIVIDING SHELF

If the cabinetry front panels are thinner than 13/16" (20mm) (less than the thickness of the appliance front) a rebate is required for the appliance to achieve a flush finish.

LEVEL CABINETRY

Check the shelves are level and the side panels are straight.



The models shown in this Planning Guide may not be available in all markets and are subject to change at any time. Product specifications may vary from those shown. This Planning Guide should not be used as installation guidance for any product. Further information is required to safely and correctly install the products featured here. Specific installation guidance will be available on our website fisherpaykel.com

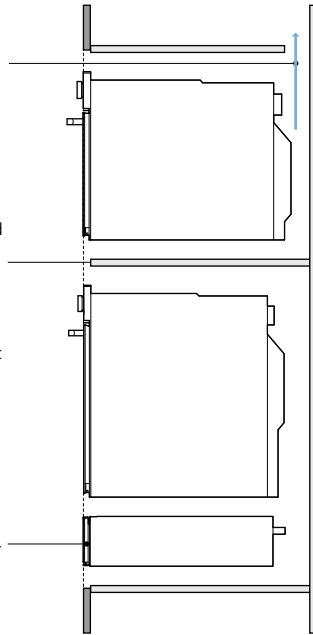
Ventilation air vent is required at rear for some products.

Dividing shelves are required to support stacked appliances and to achieve correct clearance.

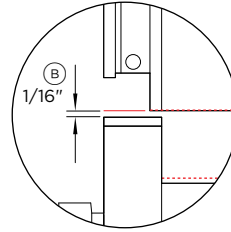
Dividing shelves must be constructed from material that will support the weight of the appliances.

Ensure the oven is not bearing any weight from cabinetry or products installed above.

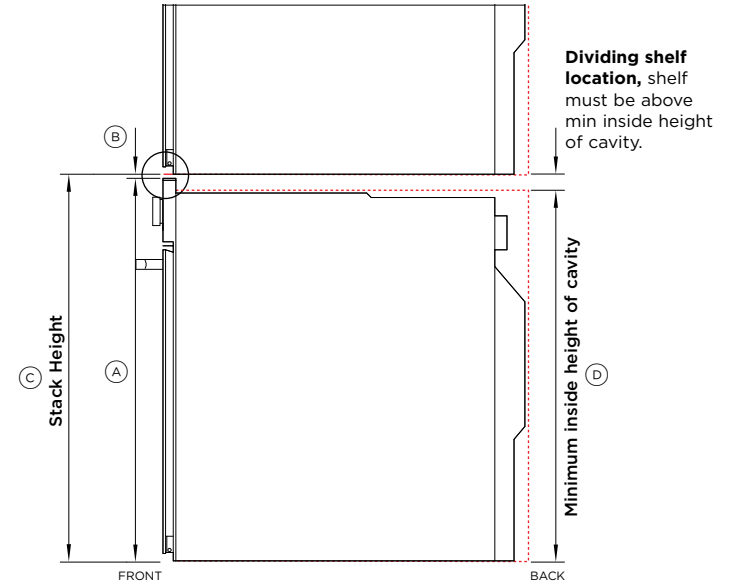
Warming Drawers and Vacuum Seal Drawers can fully support a 60cm Fisher & Paykel oven, without adding a shelf in between.



STACK EXPLODED
PROFILE VIEW



Minimum clearances above appliance control panel to upper appliance

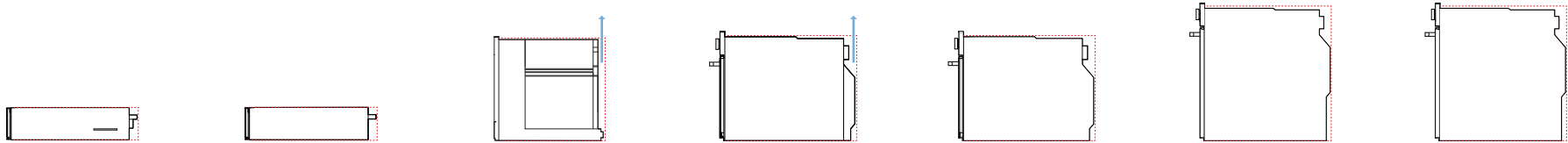


PRODUCT
PROFILE VIEW

STACK HEIGHT

(A) Overall product height
+
(B) Minimum clearances above appliance control panel or front panel to upper appliance
=
(C) Stacked Height

MINIMUM DIMENSION CLEARANCES



| | VACUUM SEAL DRAWER VB24SMB1-SET | WARMING DRAWER WB24SMB1-SET | BUILT-IN COFFEE MAKER EB24MSB1 | CONVECTION SPEED OVEN OM24NMTDB1 | COMBINATION STEAM OVEN OS24NMTDB1 | COMBINATION STEAM OVEN OS24SMTDB1 | OVEN OB24SMPTDB1 |
|-------------------------------------|------------------------------------|--------------------------------|-----------------------------------|-------------------------------------|--------------------------------------|--------------------------------------|---------------------|
| DIMENSIONS | | | | | | | |
| (A) Overall product height | 5 1/2" (140mm) | 5 1/2" (140mm) | 18" (458mm)*** | 18" (458mm) | 18" (458mm) | 23 9/16" (598mm) | 23 9/16" (598mm) |
| (B) Minimum clearance above | - | - | 1/16" (2mm) | 1/16" (2mm) | 1/16" (2mm) | 1/16" (2mm) | 1/16" (2mm) |
| (C) Stack height | 5 1/2" (140mm)** | 5 1/2" (140mm)** | 18 1/8" (460mm)* | 18 1/8" (460mm)* | 18 1/8" (460mm)* | 23 5/8" (600mm)* | 23 5/8" (600mm)* |
| (D) Minimum inside height of cavity | 5 1/2" (140mm) | 5 1/2" (140mm) | 17 3/4" (450mm) | 17 5/16" (440mm) | 17 5/16" (440mm) | 22 13/16" (580mm) | 22 13/16" (580mm) |

*Stack Height is overall product height with minimum clearances above appliance control panel or front panel to upper appliance

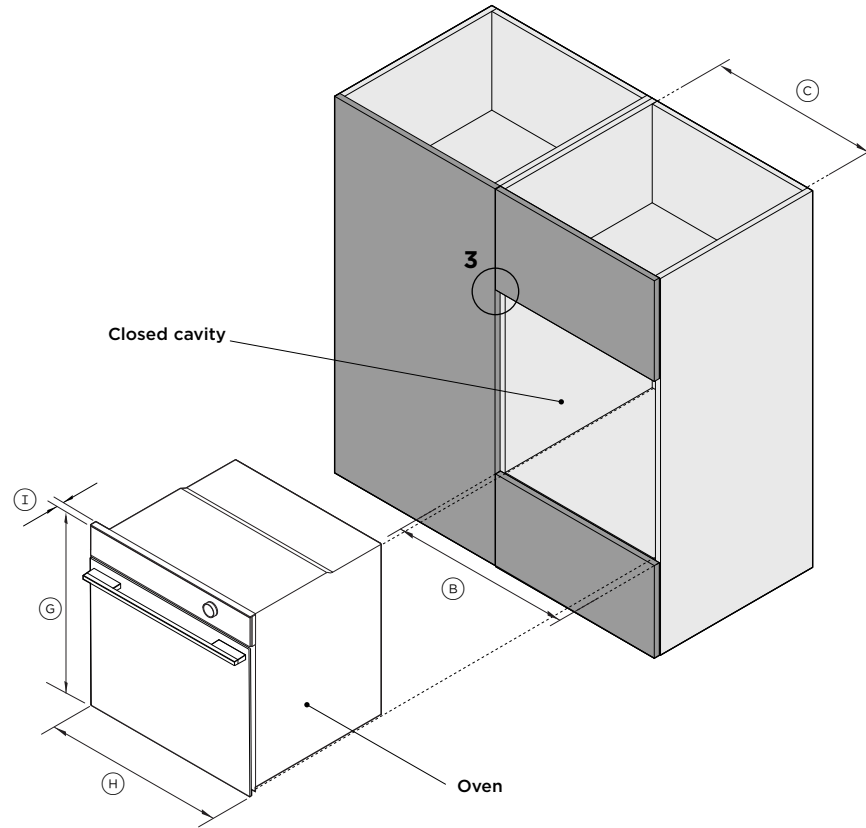
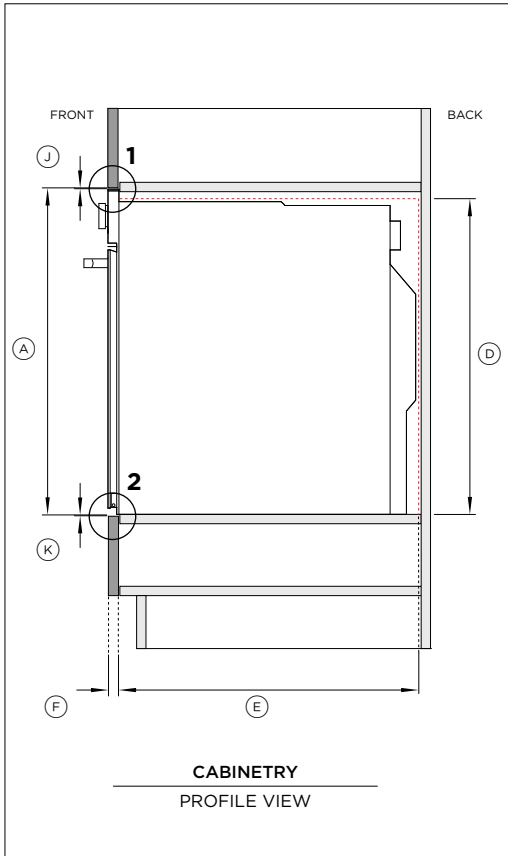
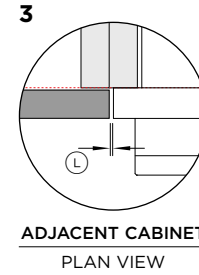
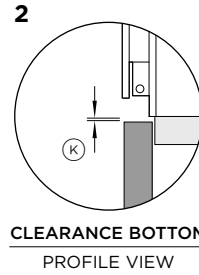
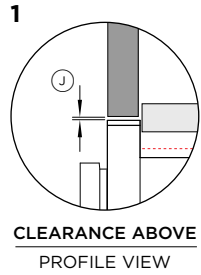
**Warming Drawers and Vacuum Seal Drawers can fully support a 24" Fisher & Paykel oven, without adding a shelf in between.

***Includes coffee maker rail height

The models shown in this Planning Guide may not be available in all markets and are subject to change at any time. Product specifications may vary from those shown. This Planning Guide should not be used as installation guidance for any product. Further information is required to safely and correctly install the products featured here. Specific installation guidance will be available on our website fisherpaykel.com

COOKTOP CLEARANCE

If installing a cooktop above the oven, ensure adequate clearance is provided for the cooktop as per the cooktop manufacturer's instructions.



Model no:
Oven - OB24SMPTDB1

| Cabinetry Dimensions - Flush | inch | mm |
|--|-------------|-----------|
| Ⓐ Overall cabinet height* | 23 5/8 | 600 |
| Ⓑ Overall cabinet width | 23 5/8 | 600 |
| Ⓒ Minimum inside width of cavity | 22 1/16 | 560 |
| Ⓓ Minimum inside height of cavity | 22 13/16 | 580 |
| Ⓔ Minimum inside depth of cavity | 21 5/8 | 550 |
| Ⓕ Thickness of cabinetry front panel** | 5/8-13/16 | 16-20 |

*Overall cabinet height is overall product height with minimum clearances above oven control panel to upper cabinetry front panel

**Cabinetry shown in drawings 3/4" (19mm) panels. If the front panel is thinner than 13/16" (20mm) a rebate for the Oven is required to achieve a flush finish

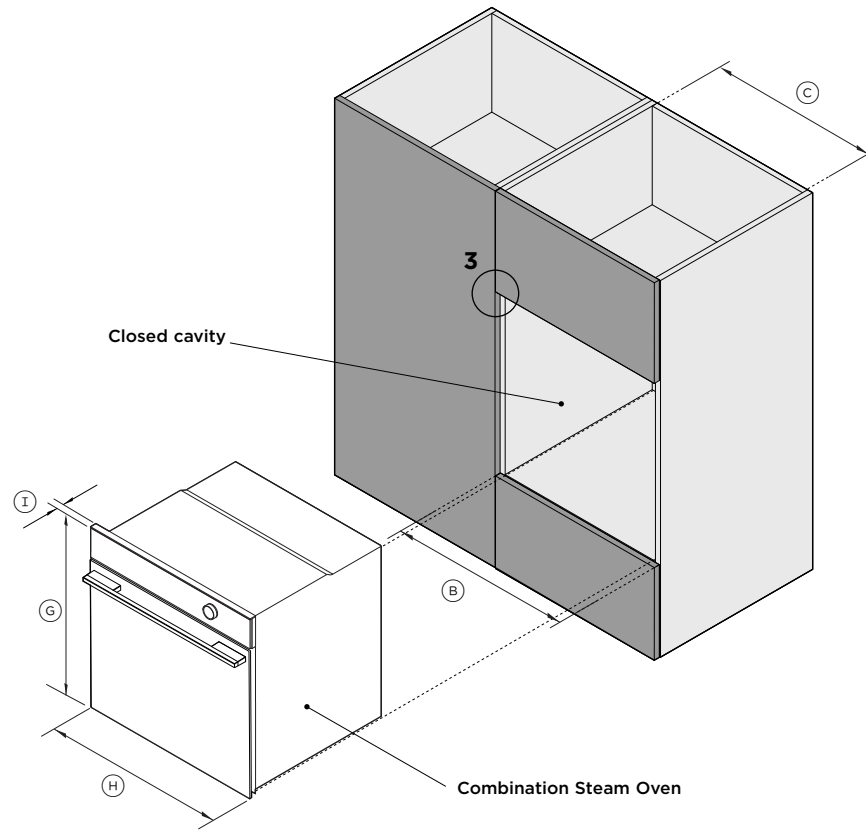
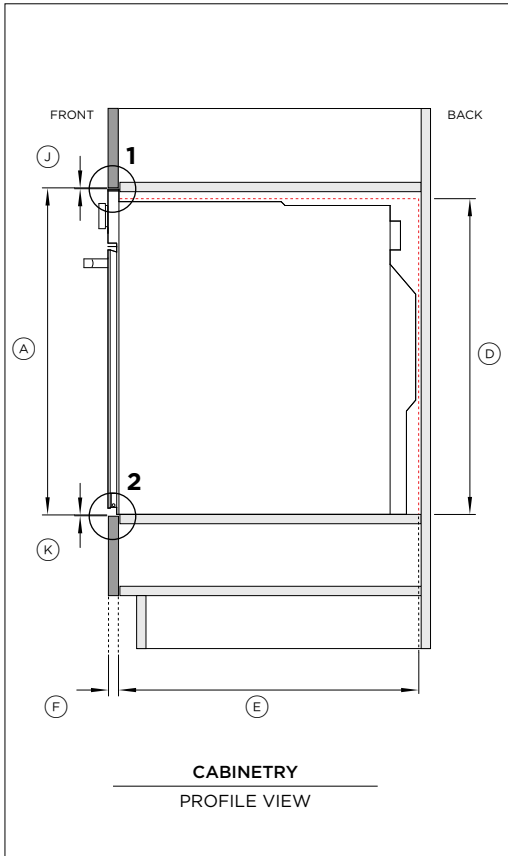
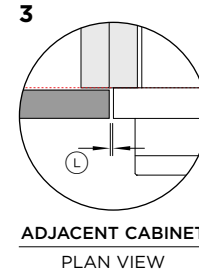
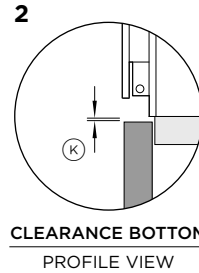
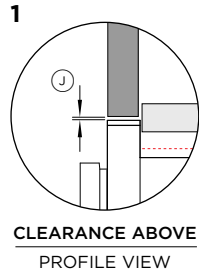
| Product Dimensions | inch | mm |
|--|-------------|-----------|
| Ⓒ Overall height of product | 23 9/16 | 598 |
| Ⓓ Overall width of product | 23 7/16 | 596 |
| Ⓘ Thickness of oven front panel (excludes dial and handle) | 13/16 | 20 |

| Cabinetry Clearances | inch | mm |
|--|-------------|-----------|
| Ⓙ Minimum clearances above oven control panel to upper cabinetry front panel | 1/16 | 2 |
| Ⓚ Minimum clearances between bottom of oven chassis to lower cabinetry front panel | 1/16 | 2 |
| Ⓛ Minimum clearance between adjacent front panel or appliance | 1/16 | 2 |

The models shown in this Planning Guide may not be available in all markets and are subject to change at any time. Product specifications may vary from those shown. This Planning Guide should not be used as installation guidance for any product. Further information is required to safely and correctly install the products featured here. Specific installation guidance will be available on our website fisherpaykel.com

COOKTOP CLEARANCE

If installing a cooktop above the oven, ensure adequate clearance is provided for the cooktop as per the cooktop manufacturer's instructions.



Model no:
Combination Steam Oven - OS24SMTDB1

| Cabinetry Dimensions - Flush | inch | mm |
|--|-------------|-----------|
| Ⓐ Overall cabinet height* | 23 5/8 | 600 |
| Ⓑ Overall cabinet width | 23 5/8 | 600 |
| Ⓒ Minimum inside width of cavity | 22 1/16 | 560 |
| Ⓓ Minimum inside height of cavity | 22 13/16 | 580 |
| Ⓔ Minimum inside depth of cavity | 21 5/8 | 550 |
| Ⓕ Thickness of cabinetry front panel** | 5/8-13/16 | 16-20 |

*Overall cabinet height is overall product height with minimum clearances above oven control panel to upper cabinetry front panel

**Cabinetry shown in drawings 3/4" (19mm) panels. If the front panel is thinner than 13/16" (20mm) a rebate for the Oven is required to achieve a flush finish

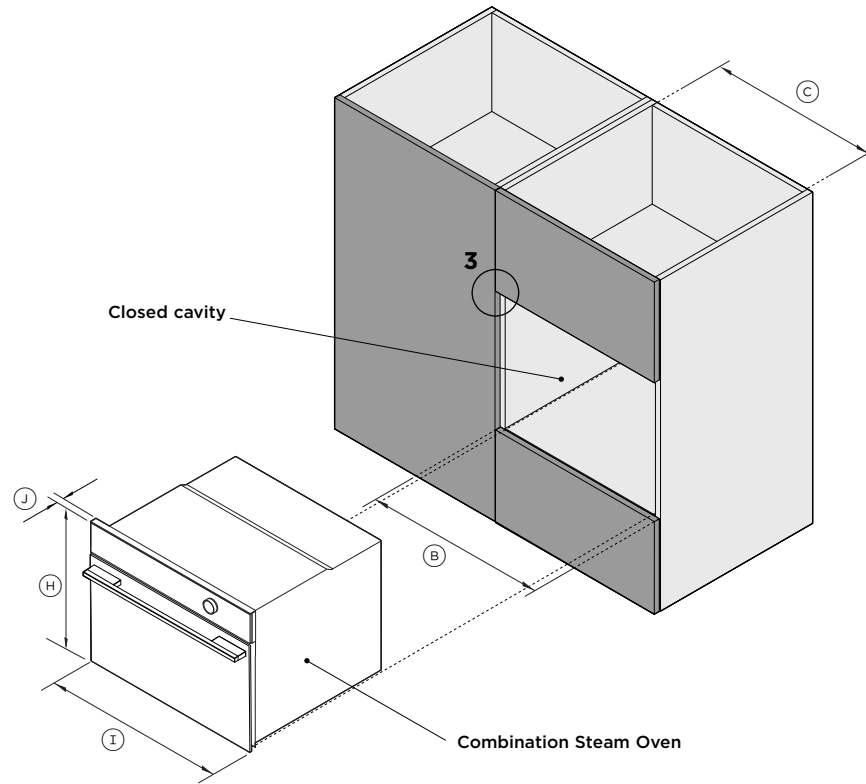
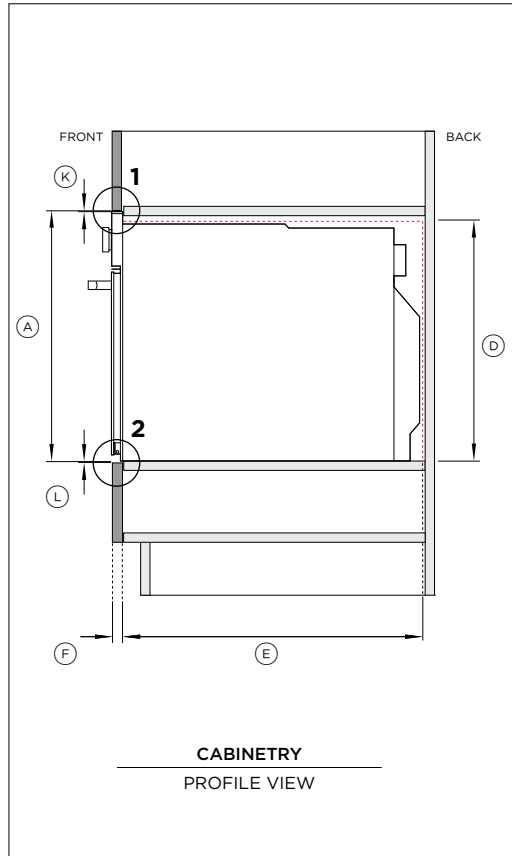
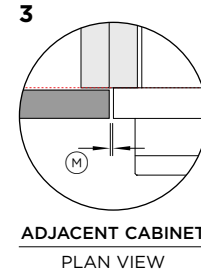
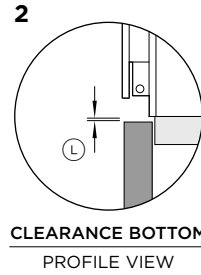
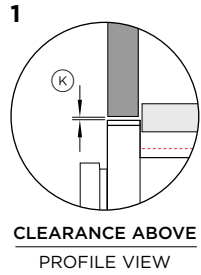
| Product Dimensions | inch | mm |
|--|-------------|-----------|
| Ⓒ Overall height of product | 23 9/16 | 598 |
| Ⓓ Overall width of product | 23 7/16 | 596 |
| Ⓕ Thickness of oven front panel (excludes dial and handle) | 13/16 | 20 |

| Cabinetry Clearances | inch | mm |
|--|-------------|-----------|
| Ⓒ Minimum clearances above oven control panel to upper cabinetry front panel | 1/16 | 2 |
| Ⓓ Minimum clearances between bottom of oven chassis to lower cabinetry front panel | 1/16 | 2 |
| Ⓕ Minimum clearance between adjacent front panel or appliance | 1/16 | 2 |

The models shown in this Planning Guide may not be available in all markets and are subject to change at any time. Product specifications may vary from those shown. This Planning Guide should not be used as installation guidance for any product. Further information is required to safely and correctly install the products featured here. Specific installation guidance will be available on our website fisherpaykel.com

COOKTOP CLEARANCE

If installing a cooktop above the oven, ensure adequate clearance is provided for the cooktop as per the cooktop manufacturer's instructions.



Model no:
Combination Steam Oven - OS24NMTDB1

| Cabinetry Dimensions - Flush | | inch | mm |
|-------------------------------------|--------------------------------------|-----------|-------|
| Ⓐ | Overall cabinet height* | 18 1/8 | 460 |
| Ⓑ | Overall cabinet width | 23 5/8 | 600 |
| Ⓒ | Minimum inside width of cavity | 22 1/16 | 560 |
| Ⓓ | Minimum inside height of cavity | 17 5/16 | 440 |
| Ⓔ | Minimum inside depth of cavity | 21 5/8 | 550 |
| Ⓕ | Thickness of cabinetry front panel** | 5/8-13/16 | 16-20 |

*Overall cabinet height is overall product height with minimum clearances above oven control panel to upper cabinetry front panel

**Cabinetry shown in drawings 3/4" (19mm) panels. If the front panel is thinner than 13/16" (20mm) a rebate for the Oven is required to achieve a flush finish

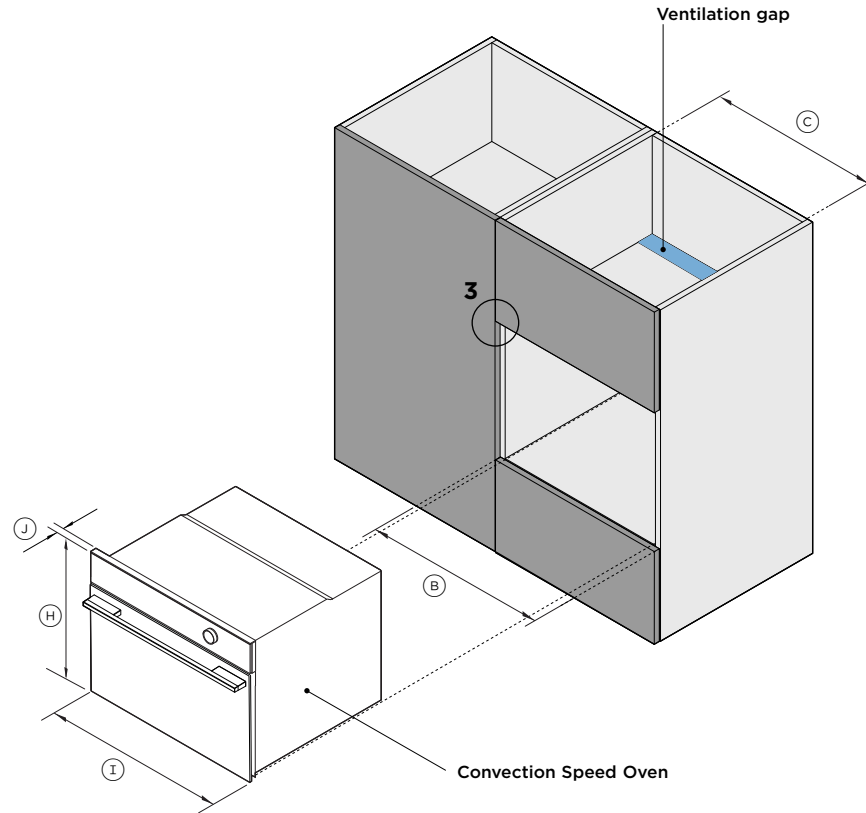
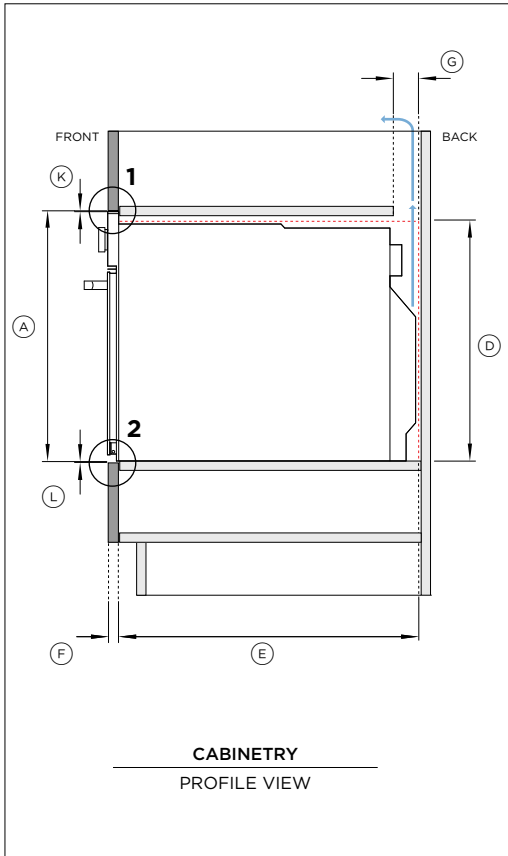
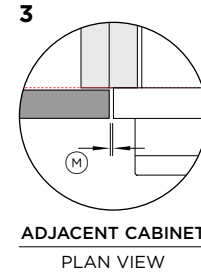
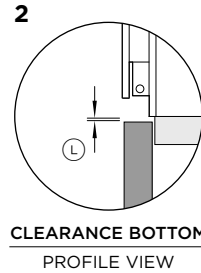
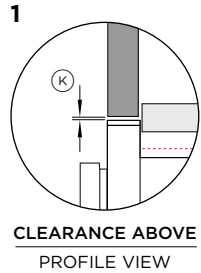
| Product Dimensions | | inch | mm |
|---------------------------|--|---------|-----|
| Ⓖ | Overall height of product | 18 | 458 |
| Ⓗ | Overall width of product | 23 7/16 | 596 |
| Ⓘ | Thickness of oven front panel (excludes dial and handle) | 13/16 | 20 |

| Cabinetry Clearances | | inch | mm |
|-----------------------------|--|------|----|
| Ⓙ | Minimum clearances above oven control panel to upper cabinetry front panel | 1/16 | 2 |
| Ⓚ | Minimum clearances between bottom of oven chassis to lower cabinetry front panel | 1/16 | 2 |
| Ⓛ | Minimum clearance between adjacent front panel or appliance | 1/16 | 2 |

The models shown in this Planning Guide may not be available in all markets and are subject to change at any time. Product specifications may vary from those shown. This Planning Guide should not be used as installation guidance for any product. Further information is required to safely and correctly install the products featured here. Specific installation guidance will be available on our website fisherpaykel.com

VENTILATION

Ventilation of 2" x 22 1/16" (50mm x 560mm) or totalling 43.4in² (280cm²) is required. The air vent must be located at the rear of cabinet, it can be positioned at the base, top, sides, or back.



Model no:
Convection Speed Oven - OM24NMTDB1

| Cabinetry Dimensions - Flush | | inch | mm |
|-------------------------------------|--------------------------------------|-------------|-----------|
| Ⓐ | Overall cabinet height* | 18 1/8 | 460 |
| Ⓑ | Overall cabinet width | 23 5/8 | 600 |
| Ⓒ | Minimum inside width of cavity | 22 1/16 | 560 |
| Ⓓ | Minimum inside height of cavity | 17 5/16 | 440 |
| Ⓔ | Minimum inside depth of cavity | 21 5/8 | 550 |
| Ⓕ | Thickness of cabinetry front panel** | 5/8-13/16 | 16-20 |
| Ⓖ | Ventilation gap*** | 2 | 50 |

*Overall cabinet height is overall product height with minimum clearances above oven control panel to upper cabinetry front panel

**Cabinetry shown in drawings 3/4" (19mm) panels. If the front panel is thinner than 13/16" (20mm) a rebate for the Oven is required to achieve a flush finish

***A rear ventilation air vent totalling 43.4in² (280cm²) is required. The air vent must be located at the rear of the cabinet, it can be positioned at the base, sides, back or top of the cavity.

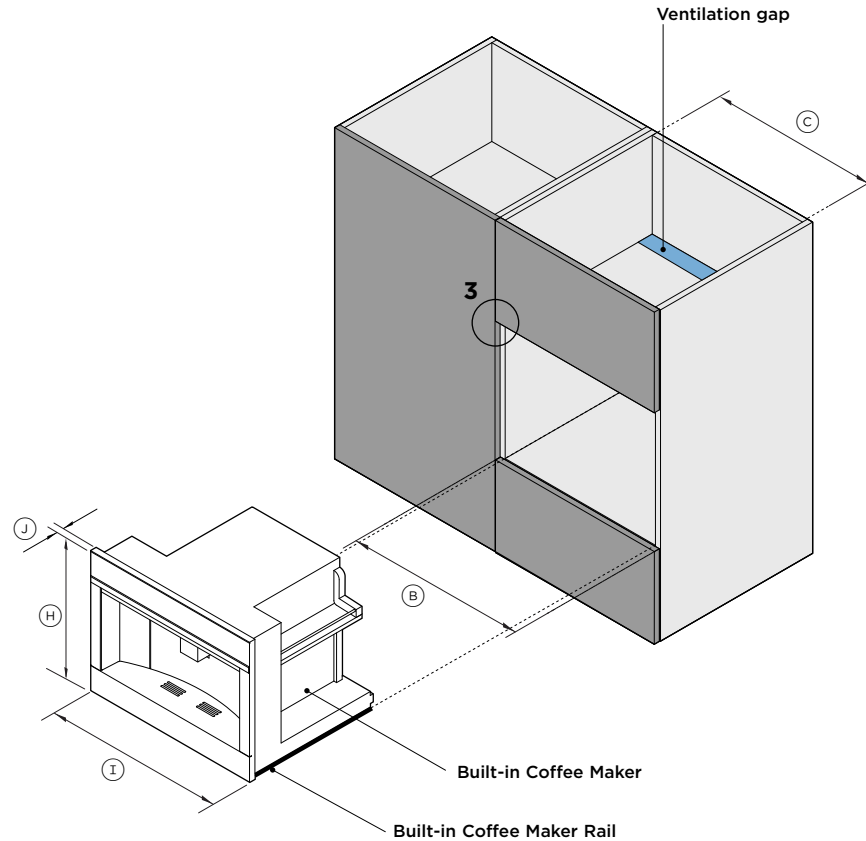
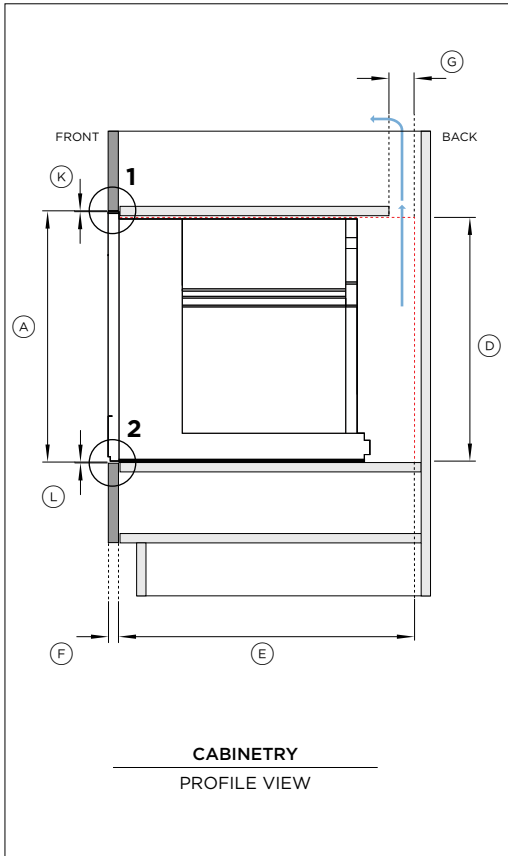
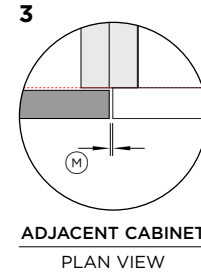
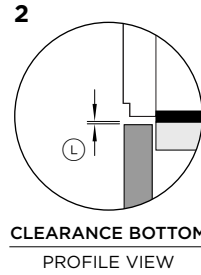
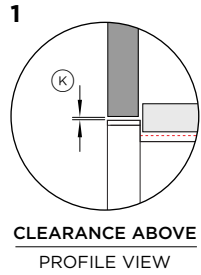
| Product Dimensions | | inch | mm |
|---------------------------|--|-------------|-----------|
| Ⓐ | Overall height of product | 18 | 458 |
| Ⓛ | Overall width of product | 23 7/16 | 596 |
| Ⓜ | Thickness of oven front panel (excludes dial and handle) | 13/16 | 20 |

| Cabinetry Clearances | | inch | mm |
|-----------------------------|--|-------------|-----------|
| Ⓚ | Minimum clearances above oven control panel to upper cabinetry front panel | 1/16 | 2 |
| Ⓛ | Minimum clearances between bottom of oven chassis to lower cabinetry front panel | 1/16 | 2 |
| Ⓜ | Minimum clearance between adjacent front panel or appliance | 1/16 | 2 |

The models shown in this Planning Guide may not be available in all markets and are subject to change at any time. Product specifications may vary from those shown. This Planning Guide should not be used as installation guidance for any product. Further information is required to safely and correctly install the products featured here. Specific installation guidance will be available on our website fisherpaykel.com

VENTILATION

Ventilation of 2" x 22 1/16" (50mm x 560mm) or totalling 43.4in² (280cm²) is required. The air vent must be located at the rear of cabinet, it can be positioned at the base, top, sides, or back.



Model no:
Built-in Coffee Maker - EB24MSB1

| Cabinetry Dimensions - Flush | inch | mm |
|--|-------------|-----------|
| Ⓐ Overall cabinet height* | 18 1/8 | 460 |
| Ⓑ Overall cabinet width | 23 5/8 | 600 |
| Ⓒ Minimum inside width of cavity | 22 1/16 | 560 |
| Ⓓ Minimum inside height of cavity | 17 3/4 | 450 |
| Ⓔ Minimum inside depth of cavity | 21 7/16 | 545 |
| Ⓕ Thickness of cabinetry front panel** | 5/8-13/16 | 16-20 |
| Ⓖ Ventilation gap*** | 2 | 50 |

*Overall cabinet height is overall product height with minimum clearances above coffee maker control panel to upper cabinetry front panel

**Cabinetry shown in drawings 3/4" (19mm) panels. If the front panel is thinner than 13/16" (20mm) a rebate for the Oven is required to achieve a flush finish

***A rear ventilation air vent totalling 43.4in² (280cm²) is required. The air vent must be located at the rear of the cabinet, it can be positioned at the base, sides, back or top of the cavity.

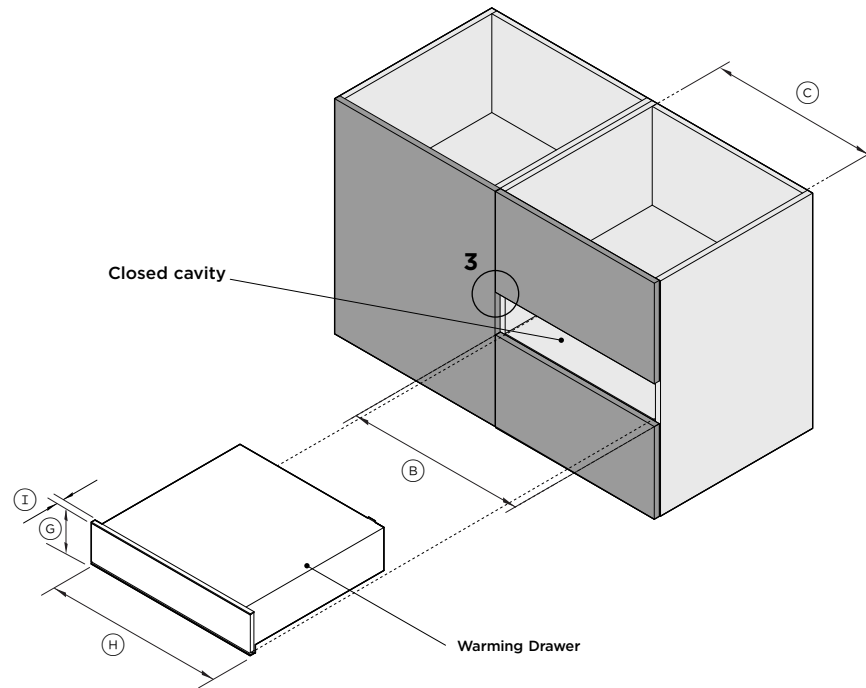
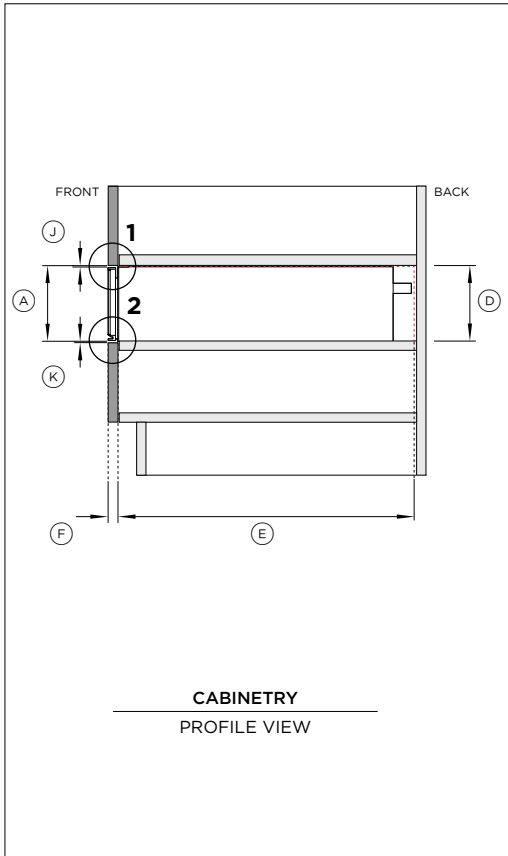
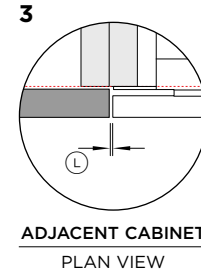
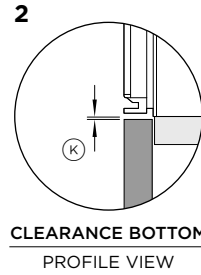
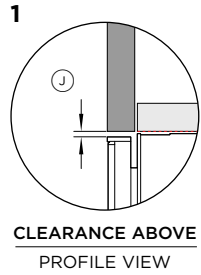
| Product Dimensions | inch | mm |
|---|-------------|-----------|
| Ⓐ Overall height of product | 18 | 458 |
| Ⓐ Overall width of product | 23 7/16 | 596 |
| Ⓓ Thickness of coffee maker control panel | 13/16 | 20 |

| Cabinetry Clearances | inch | mm |
|--|-------------|-----------|
| Ⓧ Minimum clearances above coffee maker control panel to upper cabinetry front panel | 1/16 | 2 |
| Ⓨ Minimum clearances between bottom of coffee maker rails to lower cabinetry front panel | 1/16 | 2 |
| Ⓩ Minimum clearance between adjacent front panel or appliance | 1/16 | 2 |

The models shown in this Planning Guide may not be available in all markets and are subject to change at any time. Product specifications may vary from those shown. This Planning Guide should not be used as installation guidance for any product. Further information is required to safely and correctly install the products featured here. Specific installation guidance will be available on our website fisherpaykel.com

NOTE

The Warming Drawer can fully support a 24" Fisher & Paykel oven, without adding a shelf in between.



Model no:
Warming Drawer - WB24SMB1-SET

| Cabinetry Dimensions - Flush | inch | mm |
|--|-------------|-----------|
| Ⓐ Overall cabinet height* | 5 11/16 | 144 |
| Ⓑ Overall cabinet width | 23 5/8 | 600 |
| Ⓒ Minimum inside width of cavity | 22 1/16 | 560 |
| Ⓓ Minimum inside height of cavity | 5 9/16 | 142 |
| Ⓔ Minimum inside depth of cavity | 21 5/8 | 550 |
| Ⓕ Thickness of cabinetry front panel** | 5/8-13/16 | 16-20 |

*Overall cabinet height is overall product height with minimum clearances above drawer front panel to upper cabinetry front panel

**Cabinetry shown in drawings 3/4" (19mm) panels. If the front panel is thinner than 13/16" (20mm) a rebate for the Oven is required to achieve a flush finish

| Product Dimensions | inch | mm |
|--|-------------|-----------|
| Ⓒ Overall height of product | 5 1/2 | 140 |
| Ⓓ Overall width of product | 23 7/16 | 596 |
| Ⓘ Thickness of warming drawer front panel and flange | 13/16 | 20 |

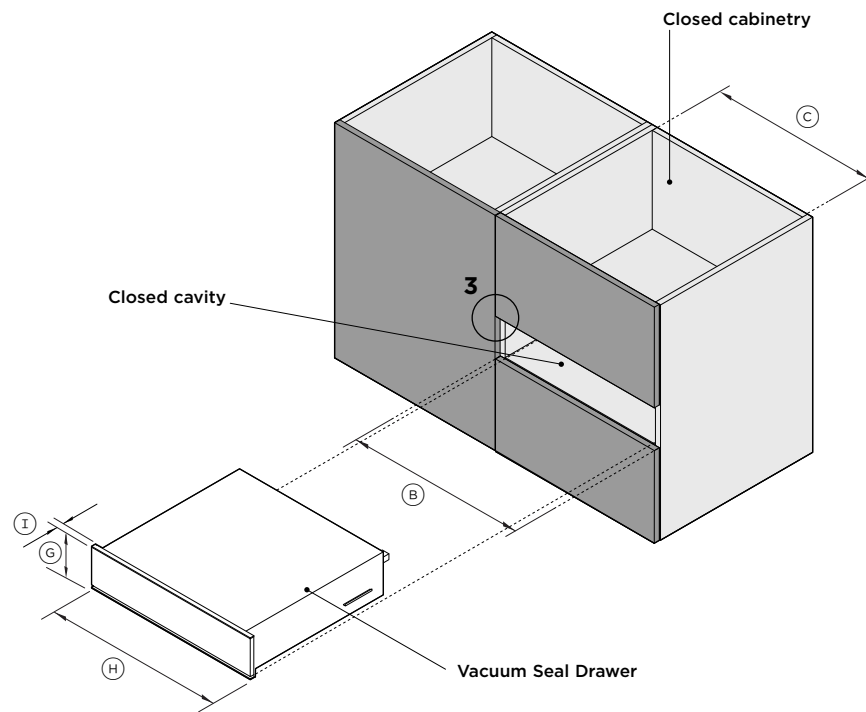
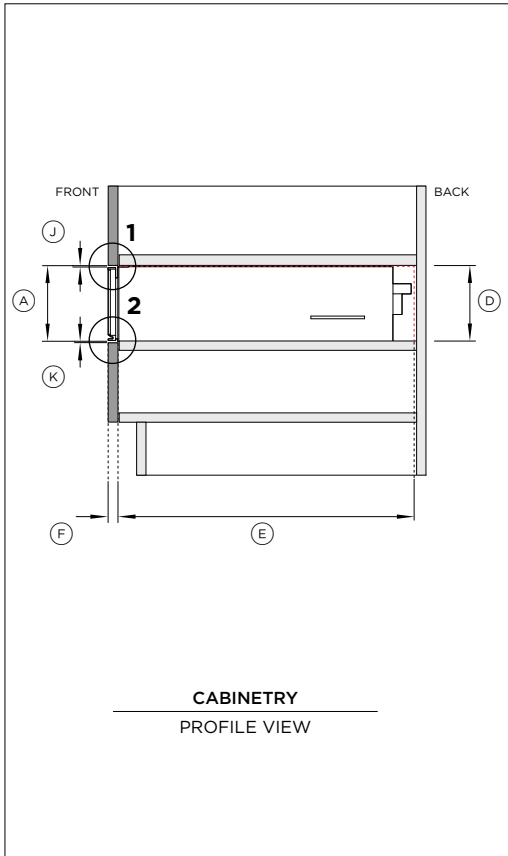
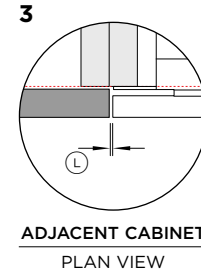
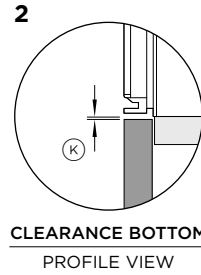
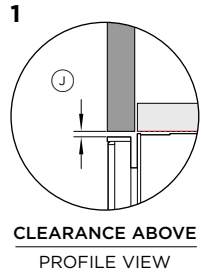
| Cabinetry Clearances | inch | mm |
|--|-------------|-----------|
| Ⓙ Minimum clearances above drawer front panel to upper cabinetry front panel* | 3/16 | 4 |
| Ⓚ Minimum clearances between bottom of drawer chassis to lower cabinetry front panel | 1/16 | 2 |
| Ⓛ Minimum clearance between adjacent front panel or appliance | 1/16 | 2 |

*Achieve a smaller gap between drawer front panel to upper cabinetry front panel by dropping cabinetry front panel down

The models shown in this Planning Guide may not be available in all markets and are subject to change at any time. Product specifications may vary from those shown. This Planning Guide should not be used as installation guidance for any product. Further information is required to safely and correctly install the products featured here. Specific installation guidance will be available on our website fisherpaykel.com

NOTE

The Vacuum Seal Drawer can fully support a 24" Fisher & Paykel oven, without adding a shelf in between.



Model no:

Vacuum Seal Drawer - VB24SMB1-SET

| Cabinetry Dimensions - Flush | | inch | mm |
|-------------------------------------|--------------------------------------|-----------|-------|
| Ⓐ | Overall cabinet height* | 5 11/16 | 144 |
| Ⓑ | Overall cabinet width | 23 5/8 | 600 |
| Ⓒ | Minimum inside width of cavity | 22 1/16 | 560 |
| Ⓓ | Minimum inside height of cavity | 5 9/16 | 142 |
| Ⓔ | Minimum inside depth of cavity | 21 5/8 | 550 |
| Ⓕ | Thickness of cabinetry front panel** | 5/8-13/16 | 16-20 |

*Overall cabinet height is overall product height with minimum clearances above drawer front panel to upper cabinetry front panel

**Cabinetry shown in drawings 3/4" (19mm) panels. If the front panel is thinner than 13/16" (20mm) a rebate for the Oven is required to achieve a flush finish

| Product Dimensions | | inch | mm |
|---------------------------|--|---------|-----|
| Ⓖ | Overall height of product | 5 1/2 | 140 |
| Ⓗ | Overall width of product | 23 7/16 | 596 |
| Ⓘ | Thickness of vacuum seal drawer front panel and flange | 13/16 | 20 |

| Cabinetry Clearances | | inch | mm |
|-----------------------------|--|------|----|
| ⓵ | Minimum clearances above drawer front panel to upper cabinetry front panel* | 3/16 | 4 |
| ⓶ | Minimum clearances between bottom of drawer chassis to lower cabinetry front panel | 1/16 | 2 |
| ⓷ | Minimum clearance between adjacent front panel or appliance | 1/16 | 2 |

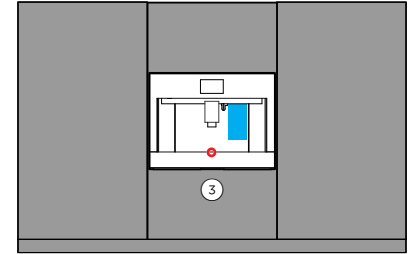
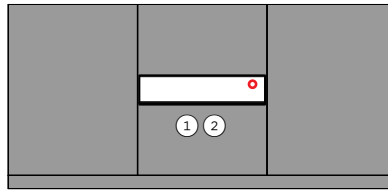
*Achieve a smaller gap between drawer front panel to upper cabinetry front panel by dropping cabinetry front panel down

The models shown in this Planning Guide may not be available in all markets and are subject to change at any time. Product specifications may vary from those shown. This Planning Guide should not be used as installation guidance for any product. Further information is required to safely and correctly install the products featured here. Specific installation guidance will be available on our website fisherpaykel.com

SERVICES

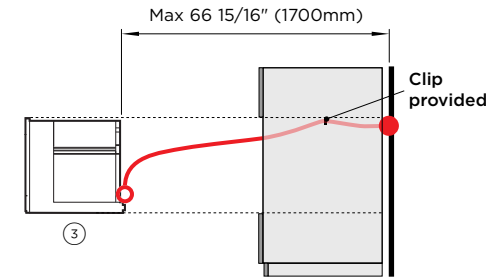
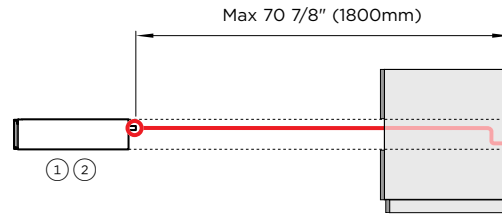
CONNECTION



Connections may be located in an adjacent cabinet to either side of the appliance. Ensure power will remain accessible following install to allow access for any future product maintenance.



BUILT-IN COFFEE MAKER

The power cable must be long enough to allow the appliance to be extracted from the cabinet to fill the coffee bean container. Fix the power cable with the clip.



-  Power Cable
-  Water Tank

① **VACUUM SEAL DRAWER**
VB24SMB1-SET

② **WARMING DRAWER**
WB24SMB1-SET

③ **BUILT-IN COFFEE MAKER**
EB24MSB1

POWER CORD

| | | | |
|----------------------------|------------------|------------------|--------------------|
| Maximum power cord length* | 70 7/8" (1800mm) | 70 7/8" (1800mm) | 66 15/16" (1700mm) |
| Location | Upper right | Upper right | Lower centered |
| Connection | Flex cord | Flex cord | Flex cord |

*Measured from power outlet

WATER

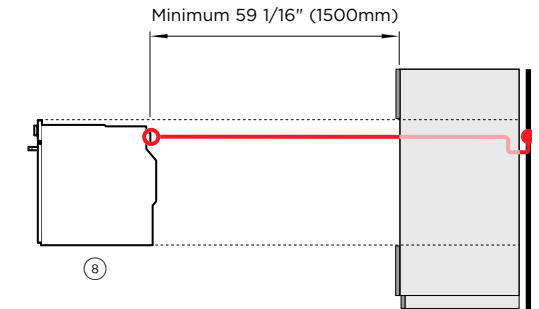
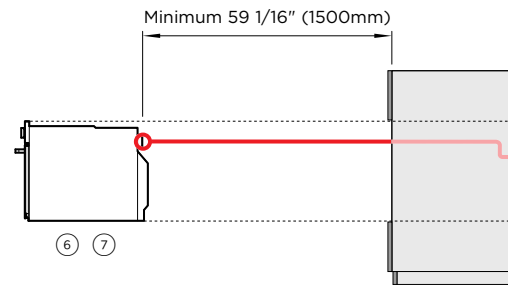
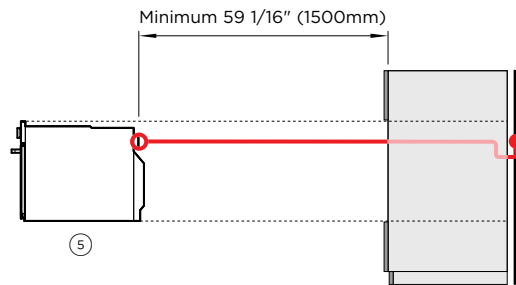
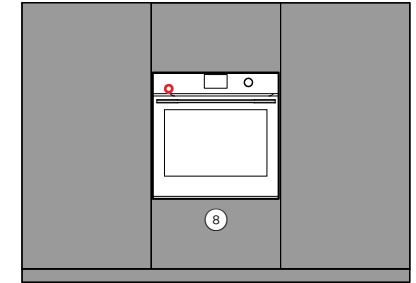
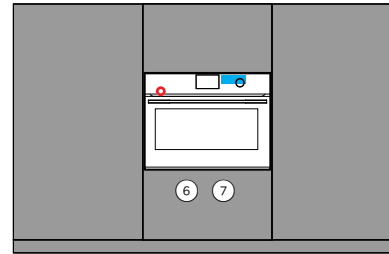
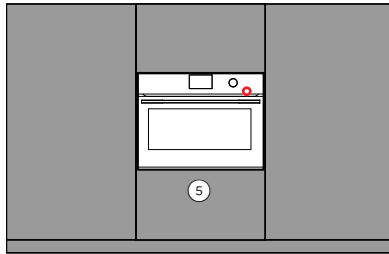
| | | | |
|----------------|---|---|-----------------------|
| Total Capacity | - | - | 84.5 fl oz (2.4L) |
| Location | - | - | Water tank (internal) |



ELECTRICAL

| | | | |
|---------|--------------|--------------|--------------|
| Supply | 120 V, 60 Hz | 120 V, 60 Hz | 120 V, 60 Hz |
| Service | 10 A | 10 A | 10 A |

Note: Multiple product installation requires the design of power outlets according to local regulations.

The models shown in this Planning Guide may not be available in all markets and are subject to change at any time. Product specifications may vary from those shown. This Planning Guide should not be used as installation guidance for any product. Further information is required to safely and correctly install the products featured here. Specific installation guidance will be available on our website fisherpaykel.com



 Power Cable
 Water Tank

⑤ CONVECTION SPEED OVEN
OM24NMTDB1

⑥ COMBINATION STEAM OVEN
OS24NMTDB1

⑦ COMBINATION STEAM OVEN
OS24SMTDB1

⑧ OVEN
OB24SMPTDB1

POWER CORD

| | | | | |
|------------------------|----------------------------|----------------------------|----------------------------|----------------------------|
| Power cord free length | Minimum 59 1/16" (1500mm)* | Minimum 59 1/16" (1500mm)* | Minimum 59 1/16" (1500mm)* | Minimum 59 1/16" (1500mm)* |
| Location | Upper right | Upper left | Upper left | Upper left |
| Connection | Hard wire** | Hard wire** | Hard wire** | Hard wire** |

*The electrician provides sufficient free length of power supply cable to reach from the bottom rear of the cavity to at least 59 1/16" (1500mm) in front of the bottom edge of the opening

**For more information, refer to the Installation Guide. Ensure power will remain accessible following install to allow access for any future product maintenance.

WATER

| | | | | |
|----------------|---|-----------------------|-----------------------|---|
| Total Capacity | - | 47 fl oz (1.4L) | 47 fl oz (1.4L) | - |
| Location | - | Water tank (internal) | Water tank (internal) | - |

ELECTRICAL

| | | | | |
|---------|---------------------|---------------------|---------------------|---------------------|
| Supply | 208 or 240 V, 60 Hz | 208 or 240 V, 60 Hz | 208 or 240 V, 60 Hz | 208 or 240 V, 60 Hz |
| Service | 20 A | 20 A | 20 A | 20 A |

Note: Multiple product installation requires the design of power outlets according to local regulations.

The models shown in this Planning Guide may not be available in all markets and are subject to change at any time. Product specifications may vary from those shown. This Planning Guide should not be used as installation guidance for any product. Further information is required to safely and correctly install the products featured here. Specific installation guidance will be available on our website fisherpaykel.com

