

FISHER & PAYKEL

PRELIMINARY SPECIFICATION GUIDE

FREESTANDING DISHWASHER, 60CM, SANITISE



OVERVIEW

Freestanding design for flexible installation anywhere in the kitchen. Adjustable storage allows for easy stacking, while a combination of clever technologies means a reliable wash performance.

MODELS

Freestanding Dishwasher, 15 Place Settings, Sanitise,
Stainless Steel
DW60FC4X2

SERIES & STYLE

Series 7
Contemporary Style

FEATURES

- ① Freestanding installation anywhere in the kitchen, including under bench heights between 848-893mm
- ② 15 place setting capacity and easily accommodates plate sizes up to 320mm
- ③ Seven wash programs including Auto, Eco and 60 Min cycles
- ④ Dry+, Sanitise, Half Load and Intensive wash modifiers for added flexibility*
- ⑤ Fan-assisted drying with auto door opening at the end of the cycle to remove excess moisture
- ⑥ Fully flexible racking including height-adjustable middle basket and cup racks, wine glass supports, full-width utensil tray and cutlery basket
- ⑦ Front-of-door controls with status display and interior LED lighting
- ⑧ Wi-Fi capability and SmarthQ app connectivity for remote control and notifications
- ⑨ With 4.5 star energy and 5.5 star water rating*
- ⑩ Quiet wash performance, running at a decibel rating of 42dBA**

*Energy and water ratings subject to change. Final certification pending.
**Noise levels subject to change

FISHER & PAYKEL

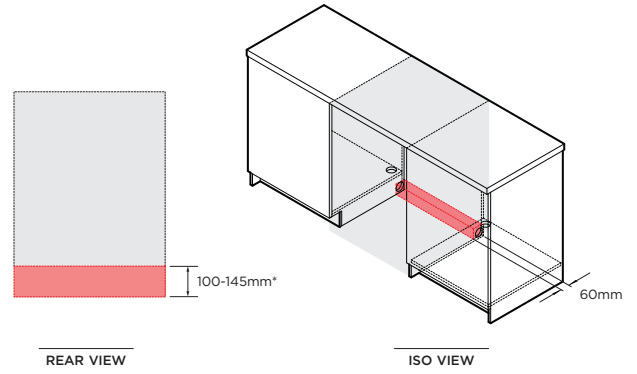
PRELIMINARY SPECIFICATION GUIDE

FREESTANDING DISHWASHER, 60CM, SANITISE

PRODUCT SPECIFICATIONS

Model No.	DW60FC4X2
Dimensions	H 848 - 893mm W 597mm D 600mm
Electrical	
Supply	230 VAC, 50 Hz
Service	10 Amp circuit
Receptacle	3-prong grounding-type
Plumbing	
Supply	3/4 BSP (20mm) connector water inlet hose
Pressure	Min 150 kPa (22 psi) Max 827 kPa (120 psi) @ 20°C

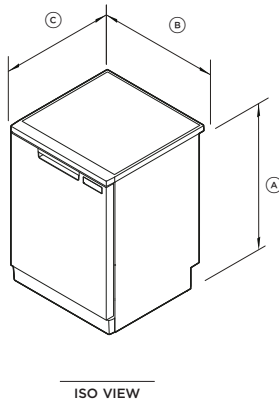
PLUMBING AND ELECTRICAL



Service outlet at rear extends both sides, hoses and cords can be routed to either or both sides.

*Depending of adjustment of levelling feet.

PRODUCT DIMENSIONS

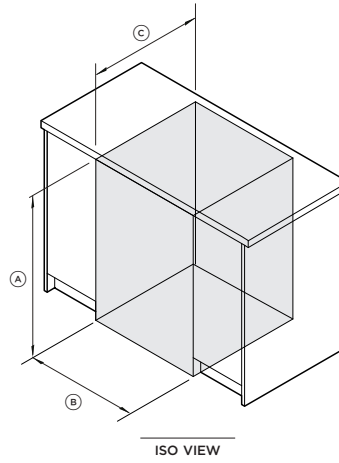


ISO VIEW

	mm
(A) Overall height*	848 - 893
(B) Overall width	597
(C) Overall depth	600

*Depending on adjustment of levelling feet

CAVITY DIMENSIONS: STANDARD INSTALLATION



ISO VIEW

	mm
(A) Overall height with top deck*	850 - 895
Overall height without top deck*	820 - 865
(B) Overall width	600
(C) Overall depth	min. 605

*Depending on adjustment of levelling feet