

FISHER & PAYKEL

WALL RANGE HOOD, CHIMNEY PYRAMID

CLASSIC

HC24PCX1, HC30PCX1, HC30PCB1, HC30PCR1, HC30PCW1, HC36PCX1,
HC36PCB1, HC36PCR1 & HC36PCW1

INSTALLATION GUIDE

US CA

Safety and warnings	4
Parts supplied	6
Prior to installation	7
Product dimensions – 24" models	8
Product dimensions – 30" models	10
Product dimensions – 36" models	12
Installation height	14
Attachment dimensions	15
Venting options	16
Prepare range hood	18
Hang range hood	20
Final checklist	23

Registration

To register your product visit our website: fisherpaykel.com/register

SAFETY AND WARNINGS

⚠ WARNING!



Electric Shock Hazard

Failure to follow this advice may result in electric shock or death.

- Installation work and electrical wiring must be done by qualified person(s) in accordance with all applicable codes and standards, including fire-rated construction.
- To reduce the risk of fire or electric shock, do not use this fan with any solid-state speed control device.

⚠ WARNING!



Weight Hazard

Failure to follow this advice may result in personal injury

- The appliance is heavy. Please ensure adequate care is taken when installing the appliance to prevent personal injury. The appliance must be installed onto a solid wall, stud, beam or truss.
- **Product weight:** HC24 42 lb (19 kg), HC30 35 lb (21.5 kg), HC36 37 lb (23.8 kg).

READ AND SAVE THESE INSTRUCTIONS

WARNING!

When using this appliance always exercise basic safety precautions including the following:

General

- Please read the entire set of instructions before installing or using this appliance.
- Please make this information available to the person installing the appliance.
- Always switch the power off prior to installation, servicing or cleaning of the appliance.
- The room must have adequate ventilation when the range hood is used at the same time as appliances burning gas or other fuels.
- The minimum distance between the supporting surface for cooking vessels on the cooktop and the lowest part of the appliance shall be 600mm or 650mm if installed over a gas cooktop.
- Stainless steel or powdercoat is very easily damaged during installation if abraded or knocked by tools. It is recommended to protect the top of the appliance with cardboard or polystyrene during the installation to minimise the risk of damage occurring.
- To reduce the risk of damage occurring to the cooktop, it is recommended that the surface of the cooktop is protected with cardboard or a similar object during installation of the range hood.
- Attention should be given to ensure that any applicable regulations concerning the discharge of exhaust air are fulfilled.
- Before connecting any pipes, consult municipal ordinances to ensure that any applicable regulations concerning the discharge of exhaust air are adhered to and request permission from the person in charge of the building.

- Exhaust air must not be discharged into an existing flue that is used for exhausting fumes from appliances burning gas or other fuels.

WARNING! To reduce the risk of fire, electric shock, or injury to persons, observe the following:

- Installation work and electrical wiring must be done by qualified person(s) in accordance with all applicable codes and standards, including fire-rated construction.
- Sufficient air is needed for proper combustion and exhausting of gases through the flue (chimney) of fuel burning equipment to prevent back drafting. Follow the heating equipment manufacturer's guideline and safety standards such as those published by the National Fire Protection Association (NFPA), and the American Society for Heating, Refrigeration and Air Conditioning Engineers (ASHRAE), and the local code authorities.
- When cutting or drilling into wall or ceiling, do not damage electrical wiring and other hidden utilities.
- Ducted fans must always be vented to the outdoors.
- This unit must be grounded.
- Wear gloves to protect against sharp edges.

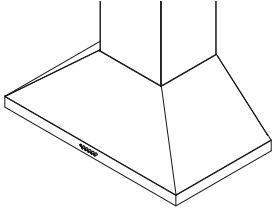
Electrical

- This appliance must be installed and connected to the mains power supply only by a qualified person according to these installation instructions and in compliance with any applicable local building and electricity regulations. Failure to install the appliance correctly could invalidate any warranty or liability claims.
- To comply with electrical safety regulations, the appliance must be plugged into a socket near the appliance. The socket must be accessible, or have an accessible isolating switch, to enable the end user to isolate the appliance from the power for the purpose of internal cleaning or maintenance.
- A power outlet should be within 750mm of the motor assembly and can either be on the wall, behind the chimney or in the ceiling.
- If the supply cord of this equipment is damaged, it must only be replaced by the manufacturer, its service agent or similarly qualified person in order to avoid a hazard.
- Ducting accessories are not supplied. All ducting must comply with local requirements and building codes.
- Electrical wiring must be done by qualified person(s) in accordance with all applicable codes and standards and the unit must be grounded.
- Installation work and electrical wiring must be done by qualified person(s) in accordance with all applicable codes and standards, including fire-rated construction.

Fire

- To reduce the risk of fire, use only metal ductwork. Do not use flexible plastic ducting.
- To reduce risk of fire and to properly exhaust air, be sure to duct air outside – do not vent exhaust air into spaces within walls or ceilings or into attics, crawl spaces, or garages.
- To reduce the risk of fire and electric shock, install this range hood only with the integral blowers supplied with this range hood.

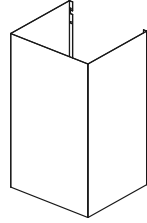
PARTS SUPPLIED



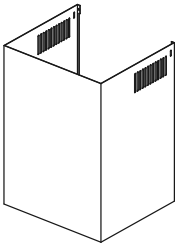
Range hood (1)



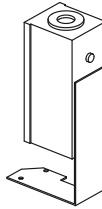
Installation guide (1)



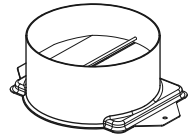
Chimney (1)



Upper chimney (1)



Power connection box (1)



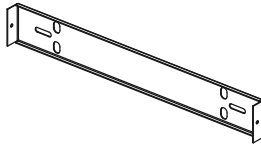
6" (152 mm) diameter
Ducting adapter with
back draft damper (1)



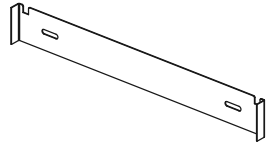
3/8" (10 mm)
Self tapping
screw (4)



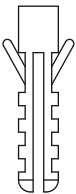
3/8" (10 mm)
Screw (2)



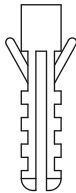
Upper chimney
bracket (1)



Chimney bracket (1)



1 3/16" (30 mm)
Expansion plug (10)



1 3/4" (44 mm)
Drywall expansion plug (8)

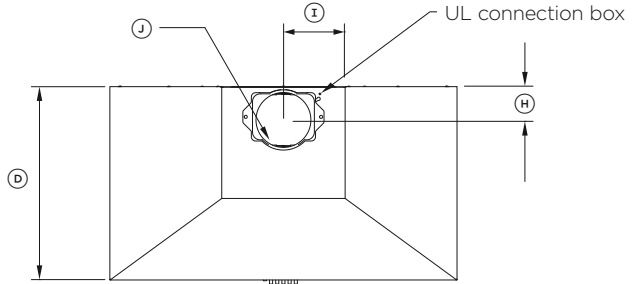


1 3/16" (30 mm)
Self tapping screw (10)

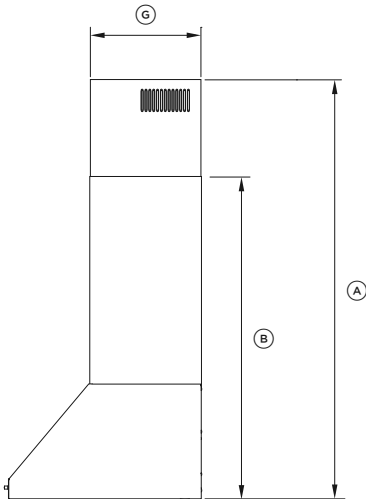
The manufacturer is not liable for any damage caused by not following these instructions.

- Unpack the range hood.
- Ensure the voltage (V) and the frequency (Hz) indicated on the rating plate match the voltage and frequency of the installation site.
- Check that the area behind the installation surface to be drilled is clear of any electrical cables or pipes etc.
- The range hood surfaces can be damaged during installation if grazed or knocked by tools. Please take care to protect the surfaces during installation.
- Protect the cooktop surface with cardboard, or the like, to prevent damage occurring whilst the range hood is being installed above.
- Temporarily mark the height of the bottom of the range hood and the center of the cooktop on the wall according to the information given in the “Installation height” section.
- The wall used for mounting the range hood should have sufficient strength and a flat surface.

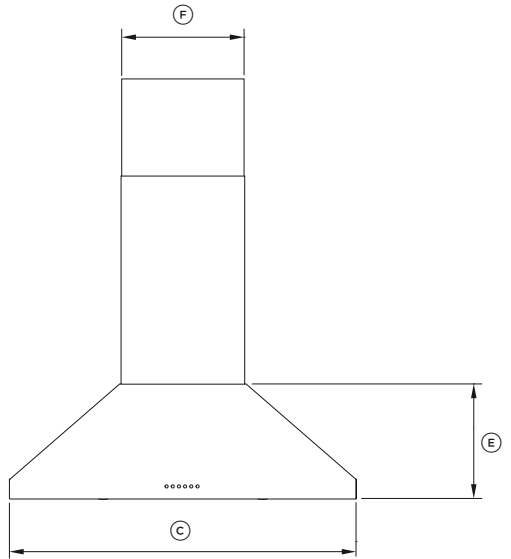
PRODUCT DIMENSIONS - 24" MODELS



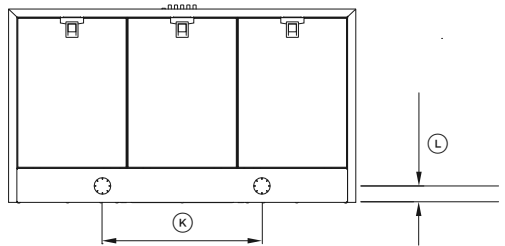
PLAN



PROFILE



FRONT



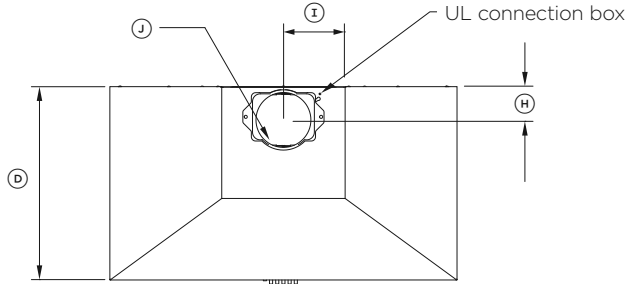
BOTTOM

PRODUCT DIMENSIONS - 24" MODELS**EN**

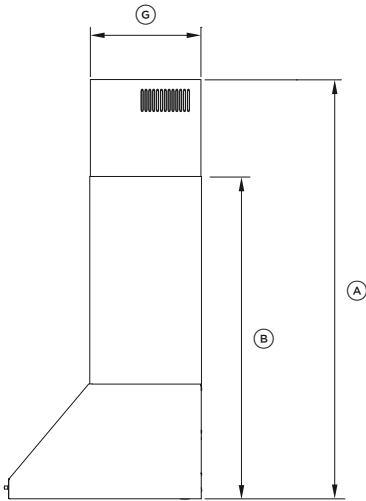
PRODUCT DIMENSIONS	HC24PCHX1	
	IN	MM
Ⓐ Maximum overall height of product	38 3/8	975
Ⓑ Minimum overall height of product	25 1/16	636
Ⓒ Overall width of product	23 9/16	598
Ⓓ Overall depth of product	19 11/16	500
Ⓔ Height of product	11 3/4	298
Ⓕ Width of chimney	12 5/8	320
Ⓖ Depth of chimney	11 7/16	290
Ⓗ Distance from center of ducting outlet to back of product	3 3/4	95
Ⓘ Distance from center of ducting outlet to side of chimney	6 5/16	160
Ⓙ Diameter of ducting outlet	5 15/16	150
Ⓚ Distance between center of lights	16 1/4	413
Ⓛ Distance between center of lights and back of product	1 5/8	42

Actual product dimensions may vary by ± 2 mm.

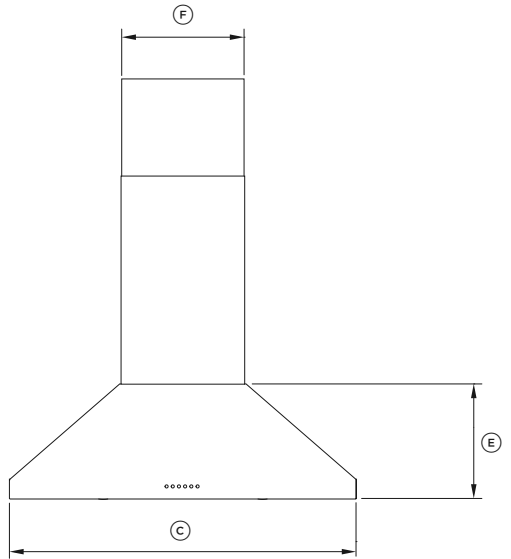
PRODUCT DIMENSIONS - 30" MODELS



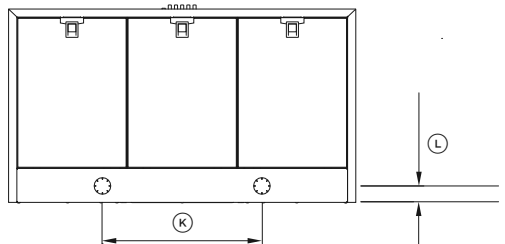
PLAN



PROFILE



FRONT



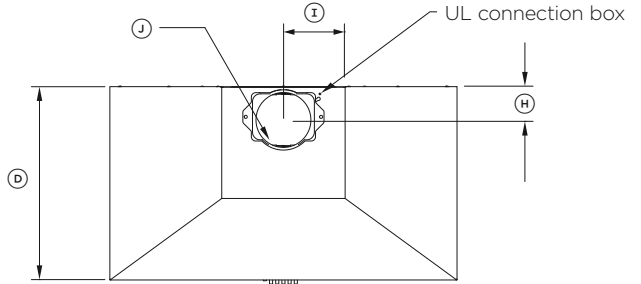
BOTTOM

PRODUCT DIMENSIONS - 30" MODELS**EN**

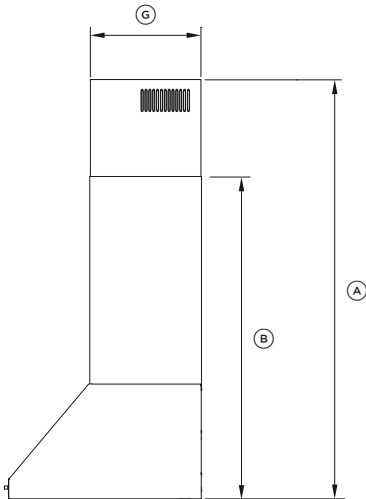
PRODUCT DIMENSIONS	HC30PCHX1	
	IN	MM
Ⓐ Maximum overall height of product	38 3/8	975
Ⓑ Minimum overall height of product	25 1/16	636
Ⓒ Overall width of product	29 3/4	755
Ⓓ Overall depth of product	19 11/16	500
Ⓔ Height of product	11 3/4	298
Ⓕ Width of chimney	12 5/8	320
Ⓖ Depth of chimney	11 7/16	290
Ⓗ Distance from center of ducting outlet to back of product	3 3/4	95
Ⓘ Distance from center of ducting outlet to side of chimney	6 5/16	160
Ⓙ Diameter of ducting outlet	5 15/16	150
Ⓚ Distance between center of lights	16 1/4	413
Ⓛ Distance between center of lights and back of product	1 5/8	42

Actual product dimensions may vary by ± 2 mm.

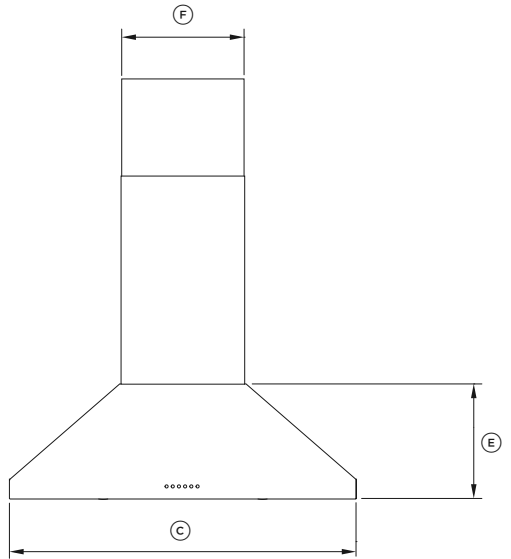
PRODUCT DIMENSIONS - 36" MODELS



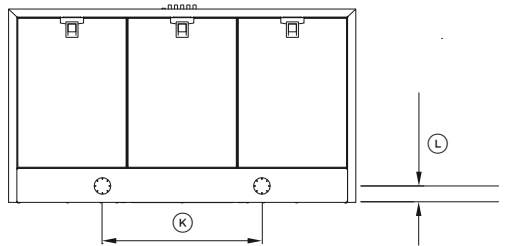
PLAN



PROFILE



FRONT



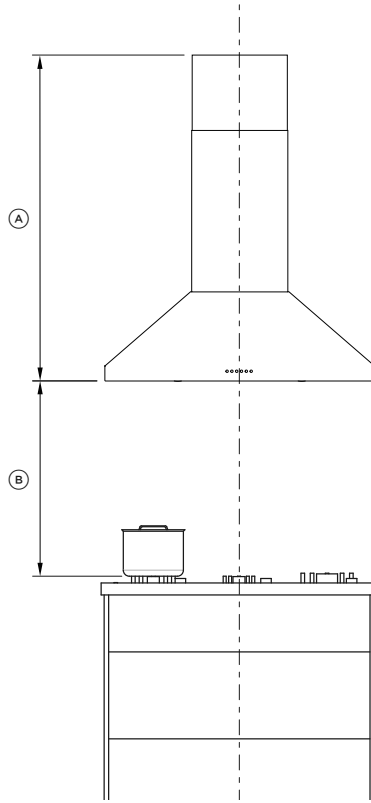
BOTTOM

PRODUCT DIMENSIONS - 36" MODELS**EN**

PRODUCT DIMENSIONS	HC36PCHX1	
	IN	MM
Ⓐ Maximum overall height of product	38 3/8	975
Ⓑ Minimum overall height of product	25 1/16	636
Ⓒ Overall width of product	35 3/8	898
Ⓓ Overall depth of product	19 11/16	500
Ⓔ Height of product	11 3/4	298
Ⓕ Width of chimney	12 5/8	320
Ⓖ Depth of chimney	11 7/16	290
Ⓗ Distance from center of ducting outlet to back of product	3 3/4	95
Ⓘ Distance from center of ducting outlet to side of chimney	6 5/16	160
Ⓝ Diameter of ducting outlet	5 15/16	150
Ⓚ Distance between center of lights	16 1/4	413
Ⓛ Distance between center of lights and back of product	1 5/8	42

Actual product dimensions may vary by ± 2 mm.

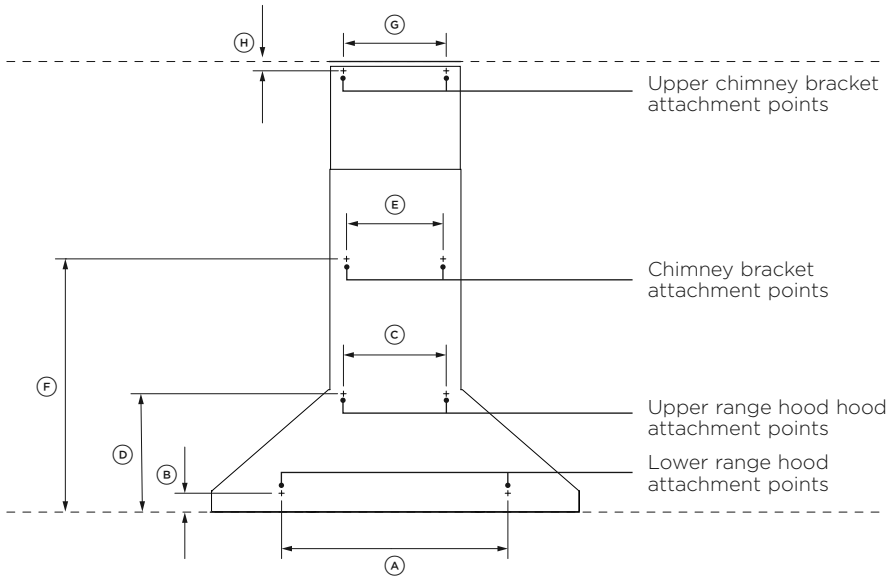
INSTALLATION HEIGHT



HEIGHT DIMENSIONS	IN	MM
(A) Ducted installation <ul style="list-style-type: none"> • Minimum height • Maximum height 	25 1/16 38 3/8	636 975
Recirculation <ul style="list-style-type: none"> • Minimum height • Maximum height 	26 5/8 38 3/8	676 975
(B) Height top of cooktop to base of product	26 - 30	650 - 750

This range hood must be installed no lower than the minimum height indicated in the table above. Minimum installation height may be greater if required by the cooktop, refer to your cooktop installation instructions.

Installation at the minimum height will improve the efficiency of capturing cooking odours, grease and smoke. Installation above the minimum height is the users preference, it is not recommended to install above the maximum height indicated in the table above.



ATTACHMENT DIMENSIONS	IN	MM
Ⓐ Lower range hood attachment point width	20	508
Ⓑ Lower range hood attachment point height	1 3/4	45
Ⓒ Upper range hood attachment point width	9 7/8	250
Ⓓ Upper range hood attachment point height	11 1/4	286
Ⓔ Chimney bracket attachment point width	9 1/4	250
Ⓕ Chimney bracket attachment point height	31 1/4	794
Ⓖ Upper chimney bracket attachment point width	9 7/8	250
Ⓗ Upper chimney bracket attachment point height	1	25

VENTING OPTIONS

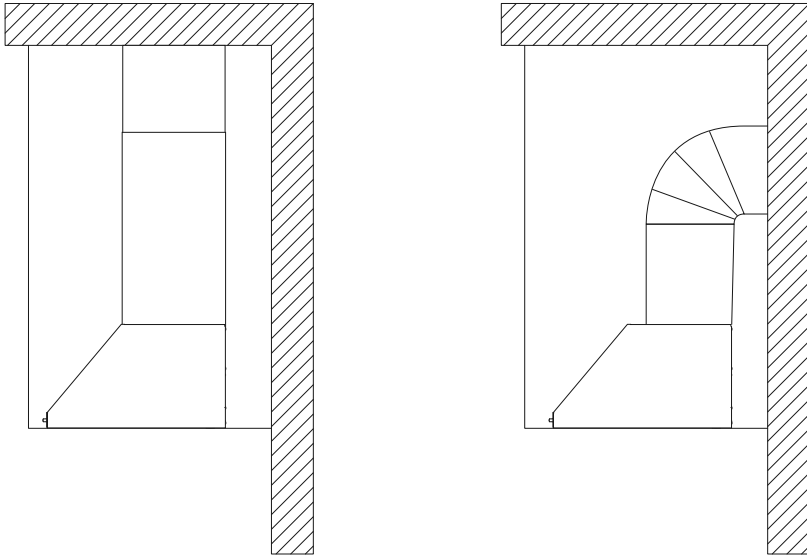
Attention should be given to ensure that any applicable regulations concerning the discharge of exhaust air are fulfilled.

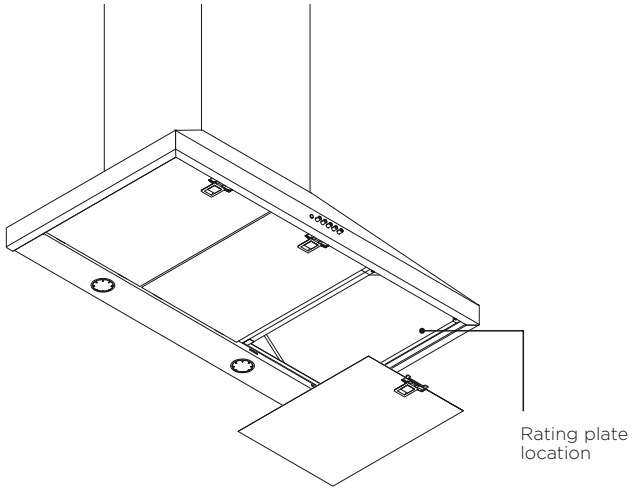
The range hood can be installed to operate with the exhaust air ducted externally from the kitchen, or installed to operate with the exhaust air recirculating within the kitchen.

Ducted

For ducted installation it is recommended that 6" (152mm) diameter, rigid or semi-rigid ducting is used. This will require a 6 5/16" (160mm) (min) round hole in the ceiling or wall. Care should be taken to position the hole correctly.

For optimal efficiency use the shortest and straightest duct route possible and use rigid or semi-rigid ducting for reduced noise and increased airflow. Flexible metal ducting should only be used as a last resort (ie in difficult installations) and if used ensure that it is straight, smooth and extended as much as possible.



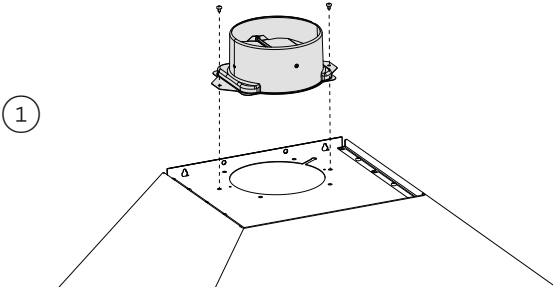


Before connecting the range hood to the power supply, ensure the voltage and frequency indicated on the rating plate match that of the installation location.

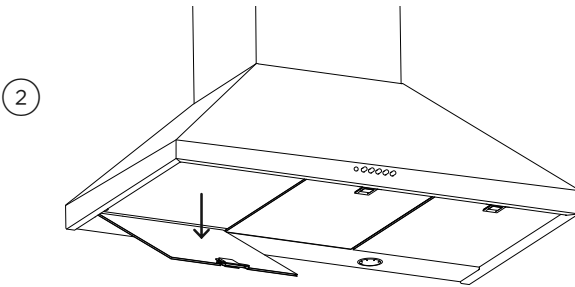
MODEL	FREQUENCY	VOLTAGE
HC30, HC36	60 Hz	120 V

PREPARE RANGE HOOD

Warning: Failure to install the screws or fixing device in accordance with these instructions may result in an electrical hazards.

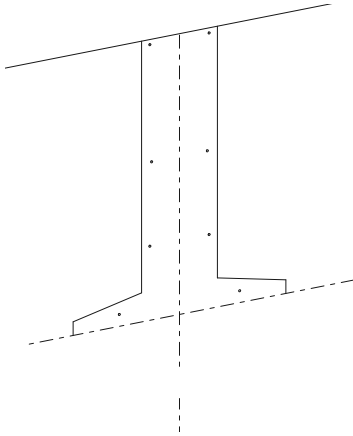


Place the ducting adapter onto the range hood and screw it in place using 3/8" (10mm) screws.



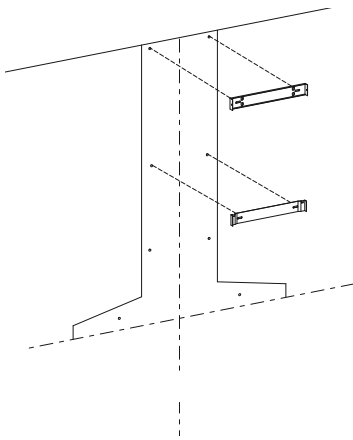
Remove the filters -pull the catch and tilt the filter downwards until it disengages from the supports.

1



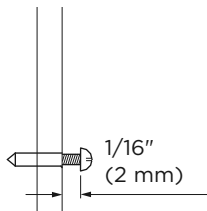
Temporarily mark the height of the bottom of the range hood and the centre of the cooktop on the wall according to the information provided in 'Installation Height'.

2



Attach the chimney bracket and upper chimney bracket (if using the upper chimney). Use the 1 3/16" (30mm) screws and expansion plugs if attaching to masonry.

3

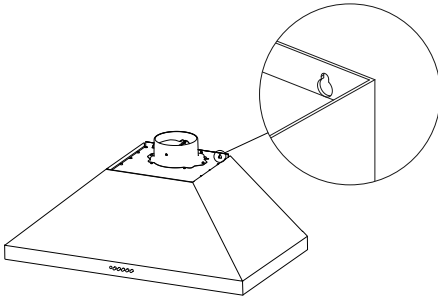


Attach the upper hood mounting screws. Use the 1 3/16" (30mm) screws and expansion plugs if attaching to masonry.

Ensure that there is a 1/16" (2mm) gap between the screw head and the wall.

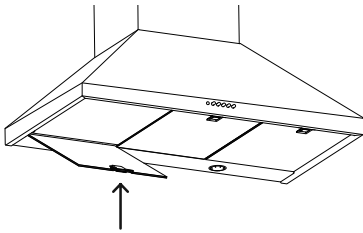
HANG RANGE HOOD

1



Hang the range hood off the upper range hood mounting screws with 1/16" (2mm) gap. Hang off the keyhole attachment points on the back of the range hood then tighten the screws.

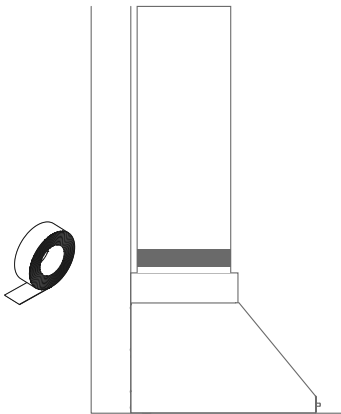
2



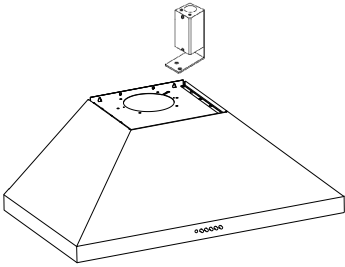
Attach the lower range hood mounting screws to fix the range hood to the wall.

Refit the filters.

3



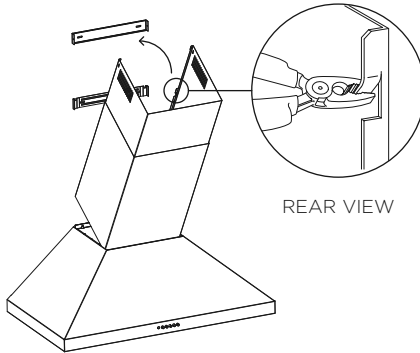
Attach ducting to the ducting adapter using aluminium duct tape.



- ① Run three wires from the power connection box on the rangehood to the power point.
- ② Two wires for the power supply and one for the ground wire.
Open the power connection box on the range hood and secure the power conductor with a strain relief (not included).
- ③ Connect the power conductors to the conductors for the range hood, black to black and white to white.
- ④ Connect the grounding wire (green or bare) to the ground conductor (green) of the range hood power connection box.
Secure all the connections with wire nuts.
Replace the power connection box cover.

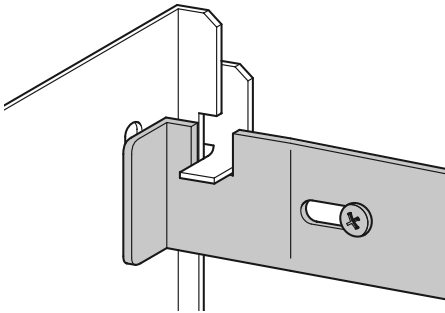
ATTACH CHIMNEY

1



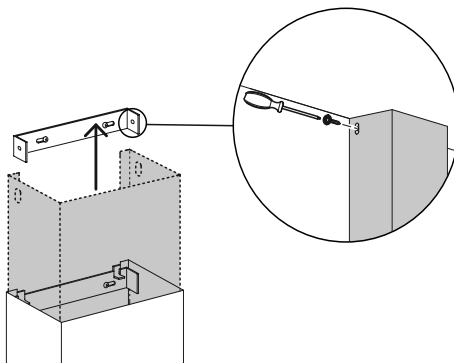
Bend the tabs on the chimney.

2



Place chimney around the range hood chassis and hang off the chimney bracket.

3



Extend the upper chimney and attach to the upper chimney bracket with 10mm screws.

TO BE COMPLETED BY THE INSTALLER

- Range hood is correctly installed and all connections are secure.
- Connections have not pierced any electrical or water lines within the wall.
- Ducting has not been crushed or bent in any area's.
- Flexible ducting has been pulled taut and any excess removed (if required).
- Power mains switch is accessible to the customer and switched on.
- Operation of the product has been tested, refer to user guide.

Complete and keep for safe reference:

Model _____

Serial no. _____

Purchase date _____

Purchaser _____

Dealer address _____

Installer's name _____

Installer's signature _____

Installation company _____

Installation date _____

FISHERPAYKEL.COM

© Fisher & Paykel Appliances 2020. All rights reserved.

The models shown in this guide may not be available in all markets
and are subject to change at any time.

The product specifications in this guide apply to the specific products and
models described at the date of issue. Under our policy of continuous product
improvement, these specifications may change at any time.

For current details about model and specification availability in your country,
please go to our website or contact your local Fisher & Paykel dealer.

105937C 06.20