

FISHER & PAYKEL

HEAT PUMP CLOTHES DRYER

DH9060FS

models

INSTALLATION GUIDE

NZ AU BI EU

⚠ WARNING!**Electric Shock Hazard**

Failure to follow this advice may result in electric shock or death.

- If you are using an extension cord or a portable electrical outlet device (eg multi-socket outlet box), ensure that it is positioned so that it does not come into contact with water or moisture.

WARNING!

To reduce the risk of fire, injury to persons or damage when using the appliance, follow the important safety instructions listed below. Read all the guidance before using the appliance.

Installation

- The appliance must not be supplied through an external switching device, such as a timer, or connected to a circuit that is regularly switched on and off by a utility.
- We do not recommend the use of extension cords or portable electrical outlet devices for safety reasons.
- The dryer must be installed in a well-ventilated, dust-free environment.
- The dryer must not be installed on any textured floor coverings (eg carpet, rugs) to ensure that openings at the base of the machine are not obstructed.
- Do not install the dryer behind a lockable door, sliding door, or behind a door where the hinge is on the opposite side to that of the dryer in such a way that the full opening of the door is inhibited. Ensure the dryer door can always be opened fully.

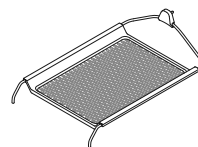
Water supply requirements:

- Inlet water pressure: Max. 1MPa (145psi), Min. 30kPa (4.5psi)
- Inlet water flow rate: Min. 6 litres/minute
- Cold water temp: Max 35°C

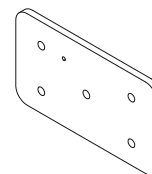
SAVE THESE INSTRUCTIONS

The models shown in this installation guide may not be available in all markets and are subject to change at any time. For current details about model and specification availability in your country, please go to our website www.fisherpaykel.com or contact your local Fisher & Paykel dealer.

- Keep all packing materials until the unit has been inspected.
- Inspect the product to ensure there is no shipping damage. If any damage is detected contact the dealer or retailer you bought the product from to report the damage.
- Fisher & Paykel is not responsible for shipping damage.



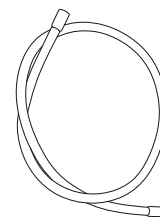
Drying rack (1)



Foam filter (3)



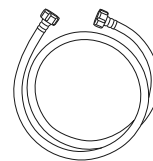
User guide (1)



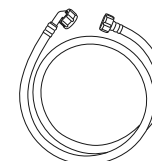
Drain Hose (1)



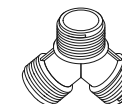
Drain Hose Connector (1)

Inlet hose pack

Inlet hose 1m (1)

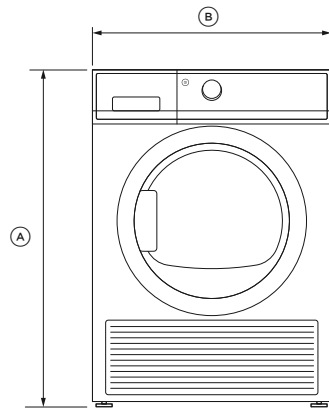


Inlet hose 65cm (1)

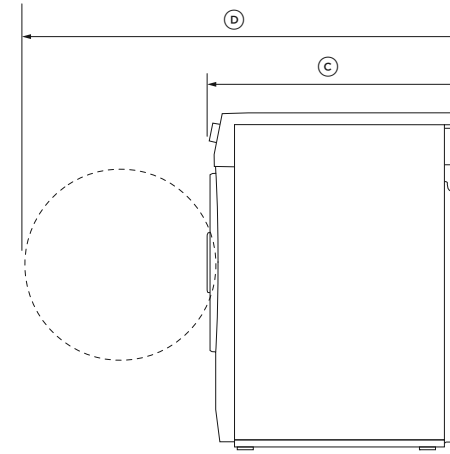


Y connector (1)

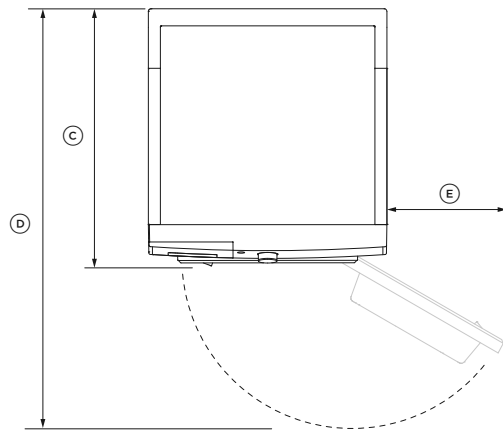
PRODUCT DIMENSIONS



FRONT



PROFILE



PLAN

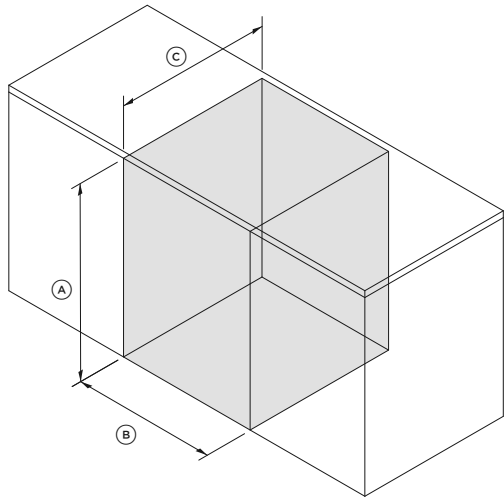
PRODUCT DIMENSIONS	MM
Ⓐ Overall height*	
• Min	840
• Max	855
Ⓑ Overall width	600
Ⓒ Overall depth**	665
Ⓓ Depth with door open	1080

* Exact height is dependent on foot adjustment

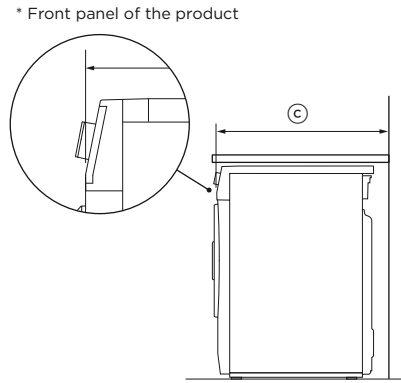
** Including dial and door (when closed)

Actual product dimensions may vary by ± 2 mm.

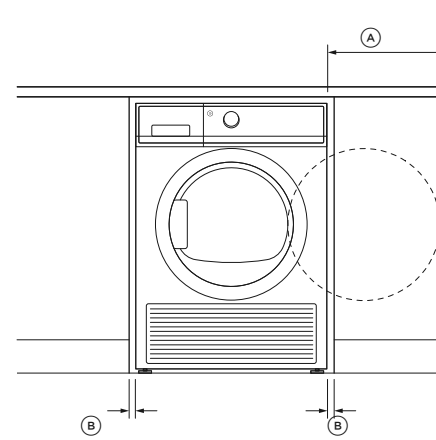
CAVITY & CLEARANCE DIMENSIONS



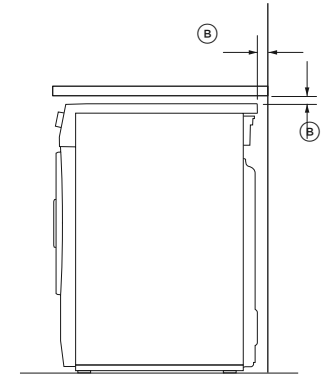
ISOMETRIC



CAVITY DIMENSIONS	MM
Ⓐ Minimum cavity height	860
Ⓑ Minimum cavity width	640
Ⓒ Minimum cavity depth	
• Flush with front panel of the product*	640
• In cupboard	705



FRONT



PROFILE

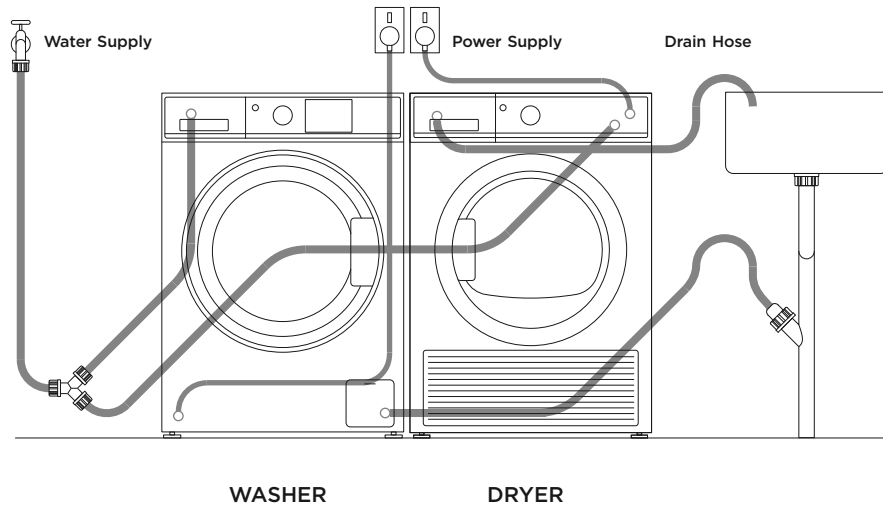
CLEARANCE DIMENSIONS	MM
Ⓐ Minimum dryer door clearance to adjacent wall	335
Ⓑ Minimum gap clearance to adjacent product or cabinetry*	20

* Applies to sides, top and rear

Actual product dimensions may vary by ± 2 mm. For paired installation dimensions, please visit fisherpaykel.com.

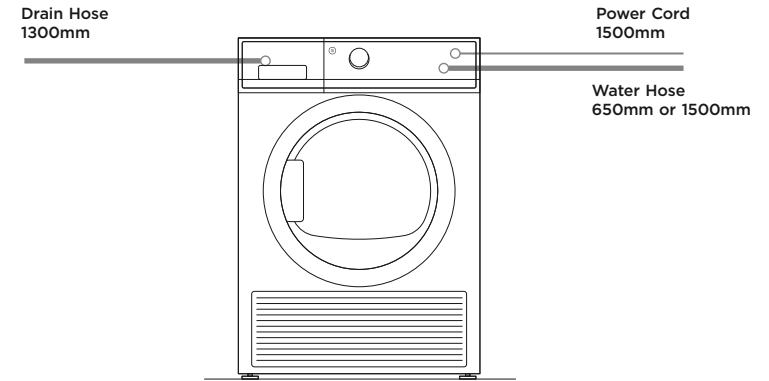
ELECTRICAL & PLUMBING CONNECTION

STANDARD INSTALL WITH WASHER



The above image depicts the standard installation with a matching washer, for all other installation options please refer to fisherpaykel.com

CONNECTION LOCATIONS / LENGTHS



SPECIFICATIONS

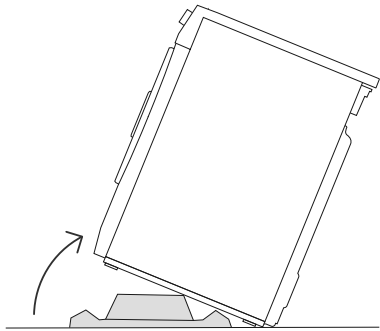
ELECTRICAL

Supply	220-240VAC, 50Hz
Service	10-amp circuit
Power consumption (W)	750

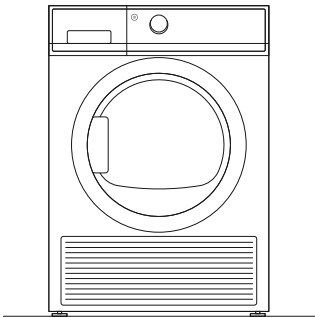
PLUMBING

Pressure	max 1 MPa (150psi) min 30 kPa (4.5psi)
Flow rate at tap	Min. 6 litres/minute
Cold water temp	max 35°C

UNPACKING



- ① Remove the outer packaging including the plastic wrapping.
- ② Lift the dryer off the base.



- ③ Remove all packaging and accessories from inside the drum.
- ④ Dispose of all packaging sustainably, ensuring these materials are kept out of the reach of children.

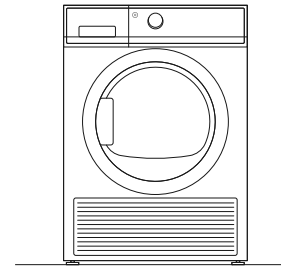
INSTALLATION OPTIONS

Installation location

- Do not install your dryer in such a way that the dryer door cannot be opened fully.
- Do not install the dryer outside, in a damp place, where there is a risk of freezing, where it may be rained on, in direct sunlight or close to a source of heat.
- Do not place your machine on top of its power cable.

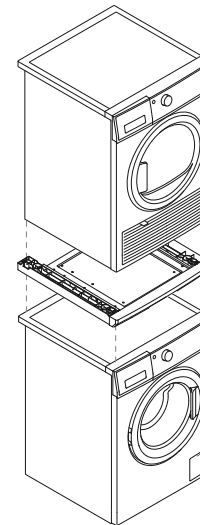
Your dryer can be installed one of two ways, either freestanding, or stacked on top of a Fisher & Paykel front loading washer.

Freestanding



The dryer stands on the floor and can easily be moved into position.

Stacked



A stacking kit MUST BE USED between the products and fitted correctly to the washing machine and dryer, as per the stacking kit instructions.

- Ensure you use the compatible stacking kit for your washer and dryer combination.
- Stacking kit is available from your Fisher & Paykel dealer, online or from a Fisher & Paykel service technician.
- The power plug must be accessible.

The following stacking configurations are not safe and MUST NOT be used:

- A washer stacked on top of a dryer
- A washer on top of a washer
- Stacking on top of a washer not listed below

Refer to your stacking compatibility document provided with your dryer for details of safe stacking options.

For detailed information on install combination and options please refer to fisherpaykel.com.

WATER SUPPLY

Water supply requirements

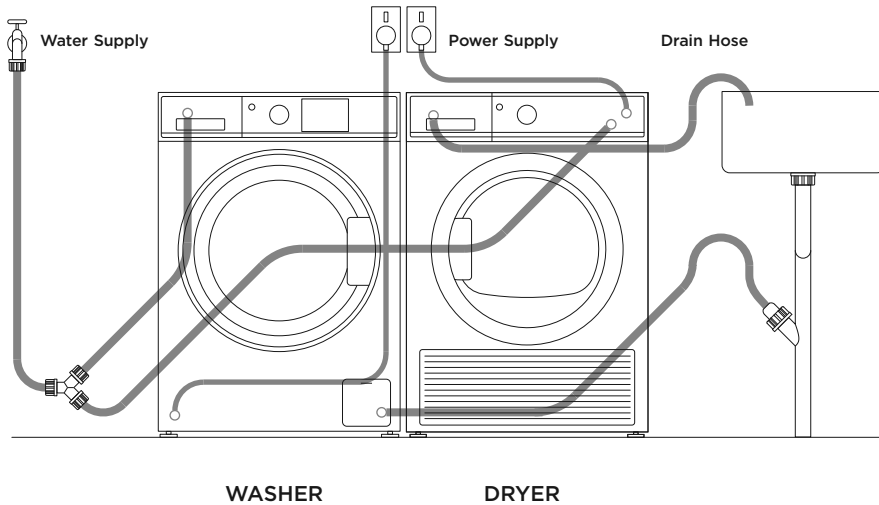
Your cold water should not exceed 35°C. Temperatures above this may cause damage to the dryer.

This appliance incorporates backflow protection complying with AS3500.1/IEC61770. No further backflow protection is required for connection to the water supply.

Inlet hose(s)

Failure to adhere to the following guidance may result in a flood and damage to property. Only use the new hose set(s) provided with your dryer.

The inlet hose setup requires the use of a third cold water inlet hose supplied with a washing machine.



- 1 Connect one of the inlet hose (1m) straight ends to the cold tap and the other to the Y connector.
- 2 Connect the straight ends of the inlet hose (0.65m) and the washer inlet hose (1.5m) (supplied with your washing machine) to the Y connector.
- 3 Connect the elbow ends of the inlet hoses to the dryer inlet valve and washer cold inlet valve. Either hose may connect to either appliance depending on your configuration. Care should be taken to avoid the Y connector resting against an appliance, as this may result in a tapping noise.
- 4 Tighten the inlet hose ends by hand until the hose seal just makes contact with the tap-sealing face. Continue to tighten a further half-turn.
- 5 Make sure there are no kinks in the hoses.
- 6 Turn the tap on and check for leaks. Check for leaks again after 24 hours.

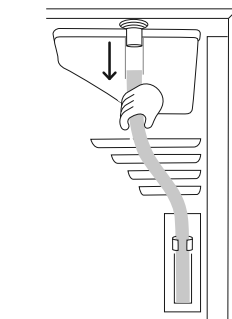
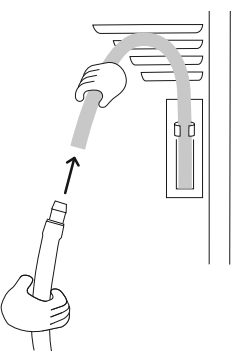
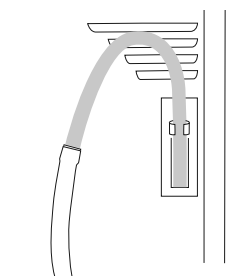
DRAINING

The dryer is equipped with a condenser unit which accumulates water during the drying cycle. This water is either collected in the removable water tank located at the top left of the dryer, or you can setup your dryer to drain automatically using the drain hose provided.

We recommend the dryer is set up to drain automatically where possible especially when drying full loads, this will avoid having to empty the water tank during a drying cycle.

In multi-storey apartments or any upper floor, the machine should be installed on a floor equipped with a drain. Draining must comply with local by-laws.

Connecting the drain hose

- 1  Remove the black hose from the connection at the back of the dryer.
- 2  Uncoil the drain hose (included with your dryer) and connect it to the black hose.
- 3  Place the other end of the drain hose into a tub or standpipe.

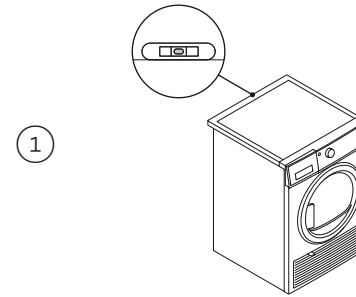
DRAINING

The drain hose must be secured in a drain to prevent water draining onto the floor. Ensure the drain hose is securely fixed in place to an appropriate drain and is leak-free at the connection to the machine. Check the connection and drain hose regularly.

- Maximum standpipe height is 1.0m from ground level.
- Regularly check that your standpipe or tub is free from lint and other obstructions, which may affect drainage and cause flooding.
- The drain hose should be checked from time to time and replaced if any damage, eg wear, cuts, bulges, kinks, leaks, etc is found. Do not bend the drain hose sharply, as this may cause it to split.

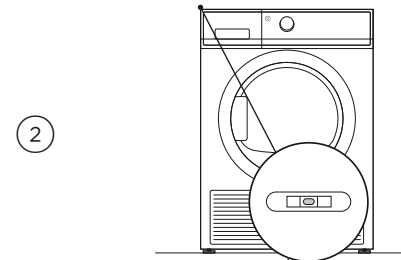
LEVELLING THE DRYER

It is IMPORTANT to level the dryer to ensure the machine runs efficiently with minimal noise. The dryer should be levelled in as close to its final position as possible so it stands balanced evenly on all four feet. Ensure the dryer does not rock in any direction.



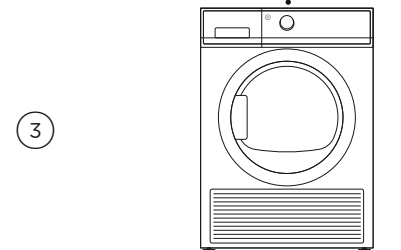
Level the dryer side to side:

- Place the level at the centre back of the dryer.
- Adjust the rear feet until the dryer is level side to side.
- Never unscrew the feet completely from their housings.



Level the dryer front to back:

- Place the level on the left side.
- Adjust the front left foot (wind down).
- Repeat the above for the right foot.
- There should be equal weight on both front feet.



Re-check the dryer is level:

- Place the level at the centre front of the dryer
- Ensure dryer does not rock in any direction.
- If dryer is not level repeat the above steps.

After levelling, the corners of the dryer cabinet should be clear of the floor and the dryer must not rock in any direction.

COMPLETE INSTALLATION

- Turn on the water and check all hose connections for leaks. Make sure there are no kinks in the hose(s). Check the hose connections for leaks again after 24 hours.
- Uncoil power cord, remove and discard the plastic pin cover, and plug into wall socket.
- Connect the appliance to an earthed outlet protected by a fuse of suitable capacity.

Test cycle

Ensure the test cycle is completed before you dry any items in your dryer. The test cycle is to check that your dryer is installed correctly and that it is functioning properly prior to use.

①



Press **POWER** **I** to activate your dryer.

②



Select the **TIME DRY** cycle for 30 minutes. Ensure the drum is empty and the door is closed (you will hear it click shut).

③



Press **▶||**, the drum will start rotating.

Observe the dryer for any problems.

The dryer will beep and display any faults on the screen. If there are any problems, refer to your user guide.

At the completion of the cycle, open the door and check that there is warmth inside the dryer. This indicates the dryer is operating normally.

If there are any problems, you must address these before proceeding with normal use. The dryer will automatically turn off at the end of the cycle if there are no problems.

TO BE COMPLETED BY THE INSTALLER

- Is the dryer correctly levelled, and are the cabinet corners clear of the floor and walls?
- Is the drain hose attached to the correct outlet and hooked into a standpipe or tub?
- Has the water inlet been connected correctly?
- Are the water tank, condenser filter, foam filter and lint filter correctly in place?
- Has the power cord been connected to an appropriate power supply and the power turned on?
- Have you performed the test cycle?

SPARE PARTS

SPARE PARTS*	PART NO.
Hose(s) inlet long (2 m)	422680P
Drain hose extension (not suitable for attaching to a spigot)	425627P
Hose(s) inlet large bore	426123P

*Available from your Fisher & Paykel dealer or a Fisher & Paykel trained and supported service technician

Complete and keep for safe reference:

Model _____

Serial no. _____

Purchase date _____

Purchaser _____

Dealer address _____

Installer's name _____

Installer's signature _____

Installation company _____

Installation date _____

FISHERPAYKEL.COM

© Fisher & Paykel Appliances 2021. All rights reserved.

The models shown in this guide may not be available in all markets
and are subject to change at any time.

The product specifications in this guide apply to the specific products and
models described at the date of issue. Under our policy of continuous product
improvement, these specifications may change at any time.

For current details about model and specification availability in your country,
please go to our website or contact your local Fisher & Paykel dealer.

428278B 06.21