

FISHER & PAYKEL

GAS COOKTOP


CG365DW models

INSTALLATION GUIDE

US CA

590686 D 08.17

① SAFETY AND WARNINGS

⚠ WARNING!	
	Electrical Shock Hazard Disconnect product from the mains power supply before servicing. This appliance is equipped with a three-prong grounding plug for your protection against shock hazard and should be plugged directly into a properly grounded power outlet. Do not under any circumstances cut or remove the grounding prong from this plug. Failure to follow this advice may result in electrical shock or death.

⚠ WARNING!	
	Cut Hazard Take care - panel edges are sharp. Failure to use caution could result in injury or cuts.

IMPORTANT SAFETY INSTRUCTIONS

- This appliance shall be installed in accordance with the installation requirements of the local gas authority or the appropriate installation code or in the absence of local codes with the latest National Fuel Gas Code NFPA 54/ANSI Z223.1 or CAN/CSA B149.1,2 (Canada). Local building and electrical codes must be adhered to.
- Electrical installation must be in accordance with the National Electrical Code, ANSI/NFPA70 - latest edition or CSA C22.1 (Canada) and/or local codes.
- Installation in manufactured (mobile) home: installation must conform with the Manufactured Home Construction and Safety Standard, Title 24 CFR, Part 3280 [formerly the Federal Standard for Mobile Home Construction and Safety, Title 24, HUD (Part 280)] or, when such standard is not applicable, the Standard for Manufactured Home Installations, ANSI/NFPA 225, or with local codes where applicable.
- Installation in Recreational Park Trailers: installation must conform with state or other codes or, in the absence of such codes, with the Standard for Recreational Park Trailers, ANSI A119.5.
- Do not remove permanently affixed labels, warnings, or plates from the product. This may void the warranty.
- Flexible appliance connectors shall meet the requirements of ANSI Z21.24 and State Boards. They shall not exceed 35 1/2 inches (900 mm) in length. In order to avoid hazard, these appliances must be installed according to these instructions.
- This appliance must be installed by an authorized person (Warning: this appliance must be installed by a licensed plumber or gas fitter when within the Commonwealth of Massachusetts).

- Please make this information available to the person installing the appliance as it could reduce your installation costs.
- Please leave these instructions with the appliance. Inform the customer to retain for future reference and for the local inspectors' use.
- Failure to install the appliance correctly could invalidate any warranty or liability claims.
- Leak testing of the appliance shall be conducted according to the manufacturer's instructions.
Only genuine replacement parts may be used for servicing the appliance. These are available from your nearest Fisher & Paykel Service Center.

Before you install the appliance, please make sure that

- the local distribution conditions (nature of gas and pressure) and the adjustment of the appliance are compatible. For adjustment conditions for this appliance, see 'Gas rate summary' under step 3.
- a suitable isolating switch is incorporated in the fixed wiring in an acceptable position.
- the appliance is connected to a power outlet that is electrically grounded in accordance with local codes or in the absence of local codes, with the National Electric Code ANSI/NFPA 70 or CSA C22.2 (Canada).
- there is a power outlet (110-120V 60Hz) within reach of the appliance cable (35 1/2" (900 mm) from the center rear of the appliance). This must be accessible after installation. The mains power supply cable should not touch any metal parts.
- the countertop is square and level and no structural members interfere with space requirements
- the countertop is made of heat-resistant material.
- you take note of the following recommended non-combustible materials: 1/4" (6 mm) flame retardant millboard covered with not less than No. 28 MSG sheet steel, 1/32" (0.4 mm) stainless steel,
- 1/32" (0.6 mm) aluminum or 1/32" (0.5 mm) copper.
- the gas shut-off valve is accessible after installation.
- if the power supply cable is damaged, it is replaced only by the special cable: Part no. 534901 Trml Block-flex Assy CG901 NZ US, obtainable from authorized Fisher & Paykel Service Agents.
- NOTE:

As servicing requires removing of the cooktop from the countertop we do not recommend flush mounting. To the fullest extent permissible by law, the owner carries all risk for flush mounting of the cooktop. The owner must ensure the cooktop has been cut out from the benchtop before servicing can be carried out. Fisher & Paykel will not be liable for any costs associated with removing or replacing a flush-mounted and/or sealed-in product, nor for repairing any damage that may be incurred by doing this. Fisher & Paykel does not exclude any statutory liability it may have and which by law cannot be excluded, because of the giving of this notice.

IMPORTANT! SAVE THESE INSTRUCTIONS

The models shown in this installation guide may not be available in all markets and are subject to change at any time. For current details about model and specification availability in your country, please go to our website www.fisherpaykel.com or contact your local Fisher & Paykel dealer.

② PARTS SUPPLIED



Wok stand (1)



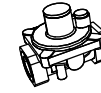
Small pan support (1)



Nipple 1/2 " NPT thread (1)

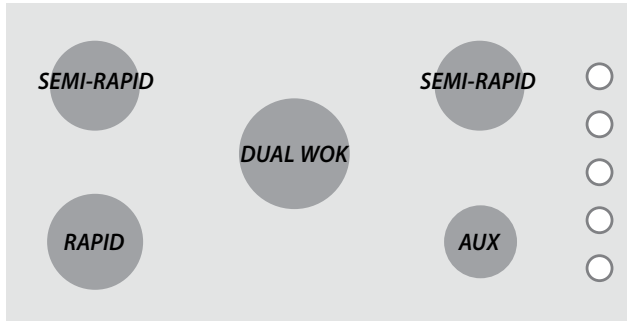


Clamping brackets (6) and screws (6)



Regulator (1)

③ GAS RATE SUMMARY



CG365DW

High Altitude Installations

For installations above 3000' conversion kits are required:

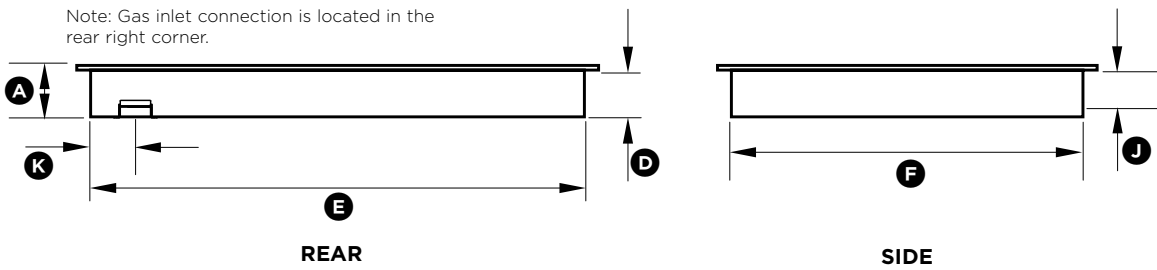
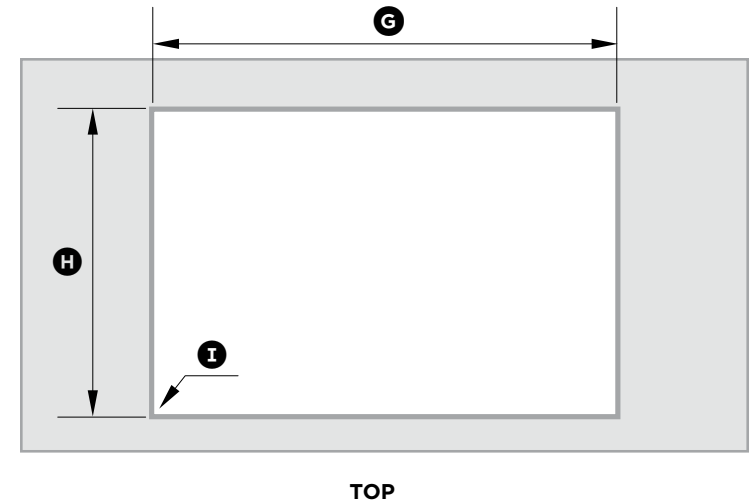
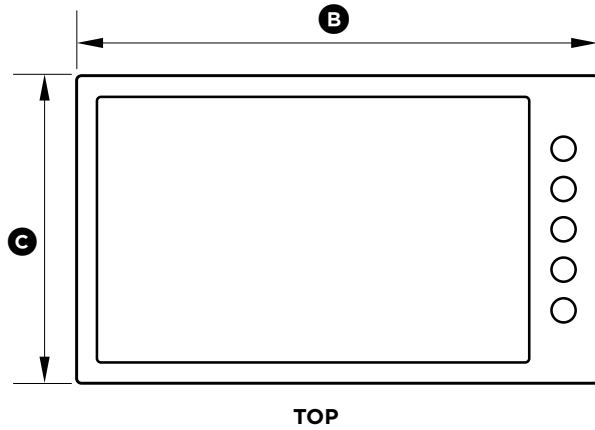
3,000-6,000' 535315 KIT HI ALT LP 3-6K CG365 FLUSH
535317 KIT HI ALT NG 3-6K CG365 FLUSH

6000'+ 535316 KIT HI ALT LP 6-9K CG365 FLUSH
535318 KIT HI ALT NG 6-9K CG365 FLUSH

Contact your authorized dealer, customer care or refer to the website listed at the back of this document.

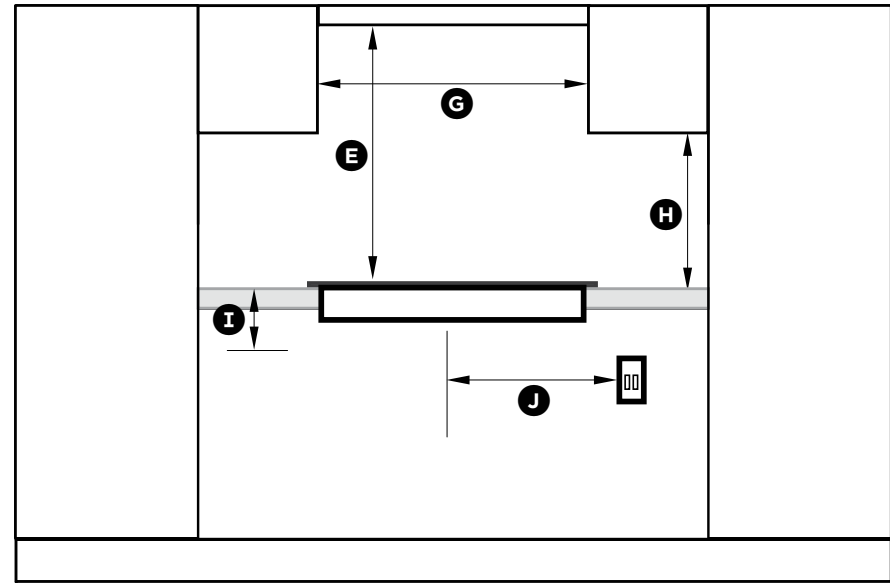
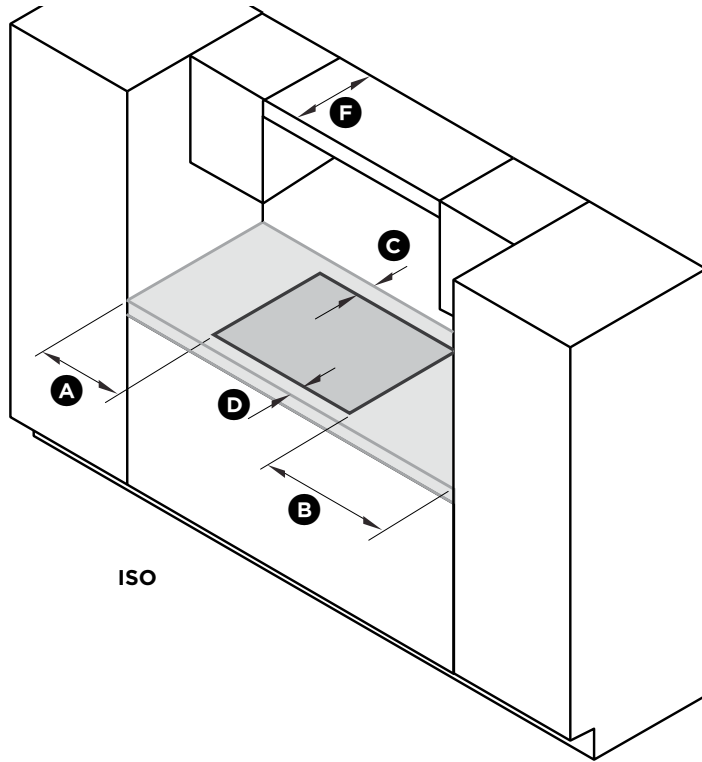
US CA	INJECTOR ORIFICE (MM)		NOMINAL RATING (BTU/HR)		INJECTOR ORIFICE (MM)		NOMINAL RATING (BTU/HR)		INJECTOR ORIFICE (MM)		NOMINAL RATING (BTU/HR)		INJECTOR ORIFICE (MM)		NOMINAL RATING (BTU/HR)	
	AUX				SEMI-RAPID				RAPID				DUAL WOK			
	NG		LP		NG		LP		NG		LP		NG		LP	
CG365DW	0.9	3800	0.55	3500	1.35	8500	0.8	7600	1.45	9500	0.87	9000	1.45	18500	0.80	18000
													0.70	0.80	0.50	

④ PRODUCT & CABINETRY DIMENSIONS



PRODUCT DIMENSIONS	inches (mm)
(A) Overall height of product (excluding burners, dials and pan supports)	3 1/8" (80)
(B) Overall width of product	35 1/2" (900)
(C) Overall depth of product	20 7/8" (530)
(D) Height of chassis (below top of counter)	3 1/16" (77)
(E) Width of chassis	33 13/16" (859)
(F) Depth of chassis	19 3/16" (487)
(G) Overall width of cutout	34 1/4" (870)
(H) Overall depth of cutout	19 7/16" (494)
(I) Corner radius of cutout	max. 3/8" (10)
(J) Distance from top of counter to center of gas inlet on product	2 15/16" (74)
(K) Distance from edge of chassis to gas inlet on product	7/8" (22)

5 CLEARANCE DIMENSIONS



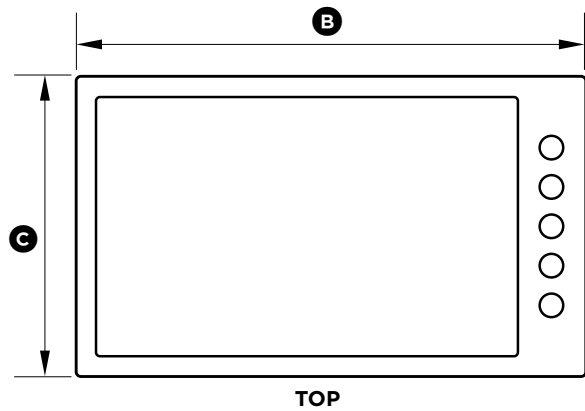
FRONT

CLEARANCE DIMENSIONS

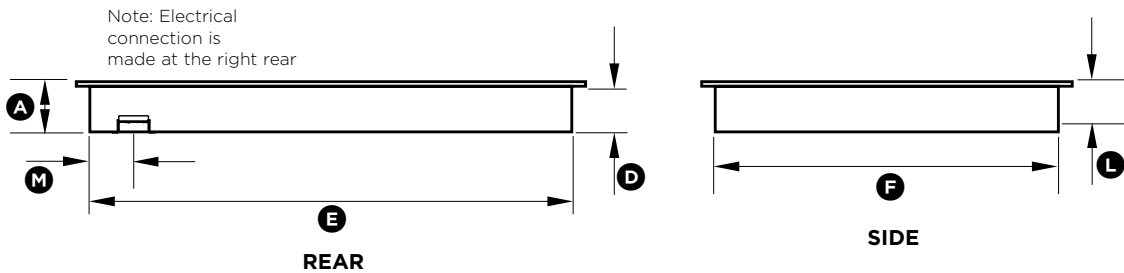
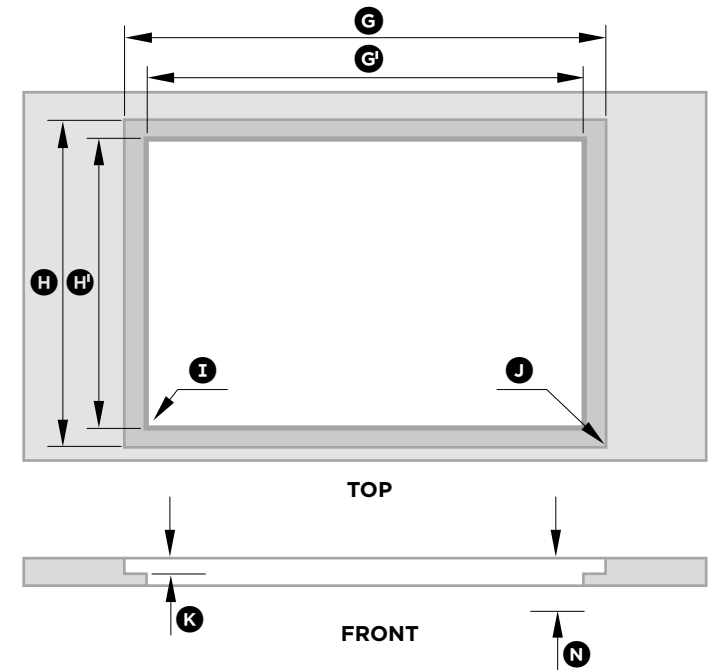
	inches (mm)
(A) Minimum clearance from left edge of product to nearest vertical surface	3 1/2" (90)
(B) Minimum clearance from right edge of product to nearest vertical surface	1" (25)
(C) Minimum clearance from rear edge of product to: nearest combustable surface nearest non-combustible surface*	5 1/2" (140) less than 1 1/4" (32)
(D) Minimum clearance from front edge of counter to front edge of product	1 1/4" (32)
(E) Minimum clearance from cooking surface to combustable surface centered above the cooking surface	34" (860)
(F) Maximum overall depth of overhead cabinetry	13" (330)
(G) Minimum distance between overhead cabinets installed to either side of productt	36" (915)
(H) Minimum vertical distance between counter and cabinet extending above the counter	18" (457)
(I) Minimum clearance below top of countertop to: nearest combustable surface F&P oven or nearest non-combustible surface	3 5/16" (84) 3 5/16" (84)
(J) Maximum distance from the center of the product to the nearest grounded power outlet. The power supply cable must not touch any hot metal surfaces.	30" (762)

* Recommended non-combustible materials are: 1/4" (6 mm) flame retardant millboard covered with not less than No. 28 MSG sheet steel, 0.015" (0.4 mm) stainless steel, 0.024" (0.6 mm) aluminum or 0.020" (0.5 mm) copper.

5 FLUSH MOUNTING INSTALLATION (OPTIONAL)



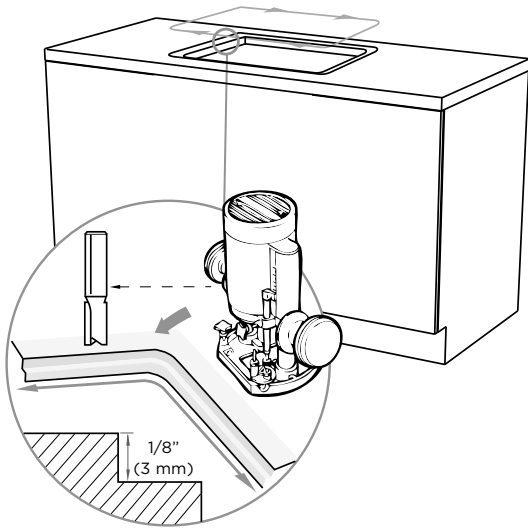
IMPORTANT!
Refer to the NOTE in 'Before you install the appliance' in the Safety and Warnings section before you flush mount this appliance.



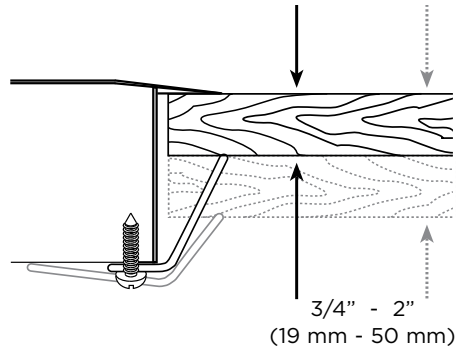
PRODUCT AND CABINERY DIMENSIONS		inches (mm)
(A)	Overall height of product (excluding burners, dials and pan supports)	3 1/8" (80)
(B)	Overall width of product	35 1/2" (900)
(C)	Overall depth of product	20 7/8" (530)
(D)	Height of chassis (below top of counter)	3 1/16" (77)
(E)	Width of chassis	33 13/16" (859)
(F)	Depth of chassis	19 3/16" (487)
(G)	Overall width of routed recess	35 5/8" (905)
(G')	Width of cutout	34 1/4" (870)
(H)	Overall depth of routed recess	21 1/16" (535)
(H')	Depth of cutout	19 7/16" (494)
(I)	Corner radius of cutout	max. 3/8" (10)
(J)	Corner radius of routed recess	max. 3/16" (5)
(K)	Height of routed recess	1/8" (3)
(L)	Distance from top of counter to center of gas inlet on product	2 13/16" (71)
(M)	Distance from edge of chassis to gas inlet on product	7/8" (22)
(N)	Minimum clearance below top of benchtop to: rear top of oven* installed below cooktop or cabinetry thermal protection barrier	3 1/2" (89) 3 1/2" (89)

⑤ FLUSH MOUNTING INSTALLATION (OPTIONAL)

① ROUTER THE COUNTERTOP TO THE SPECIFIED DEPTH

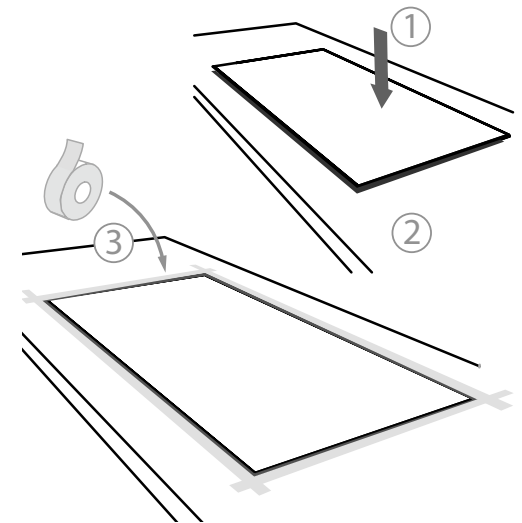


② FIT THE CLAMPING BRACKETS

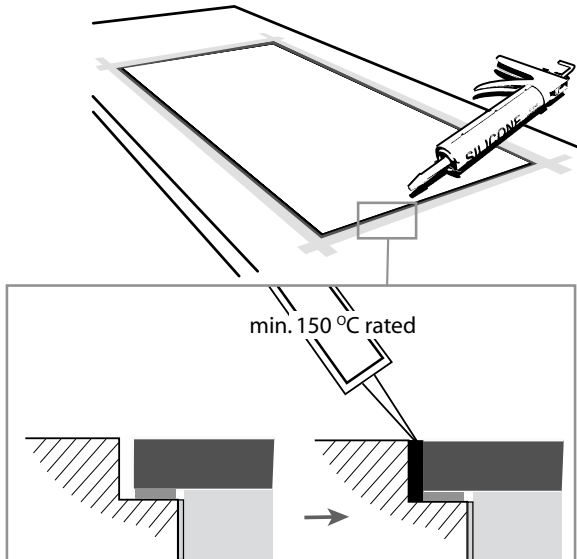


REPEAT ON ALL THE OTHER SIDES
(Total 6 brackets)

③ MASK OFF THE AREA TO BE SILICONED

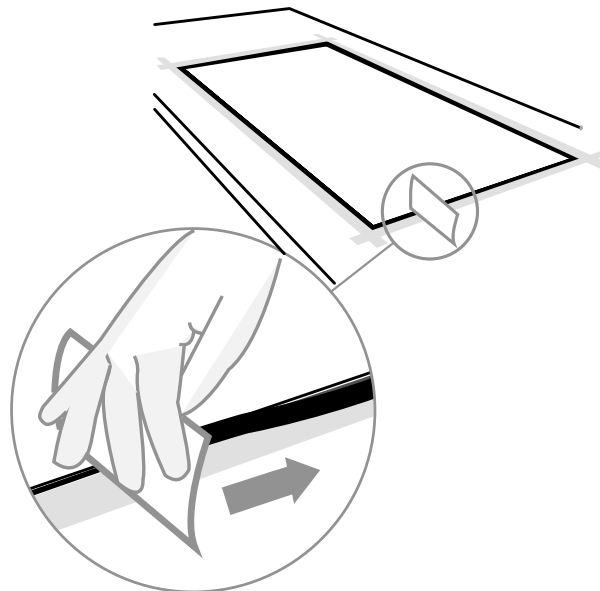


④ APPLY SILICONE

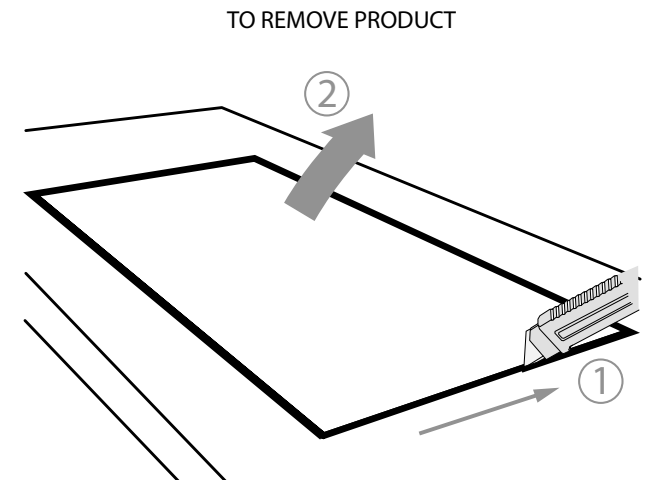


Ensure silicone does not leak underneath the steel edge.

⑤ WIPE OFF EXCESS SILICONE

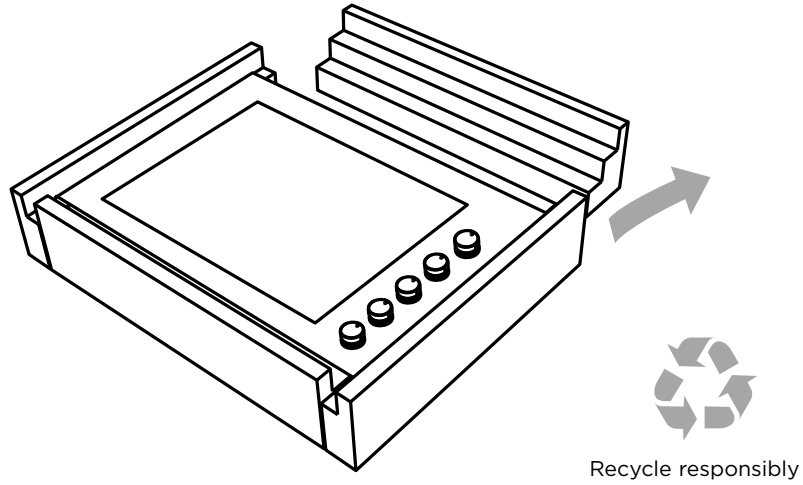


⑥ IF REMOVING PRODUCT, CUT AROUND THE SILICONE

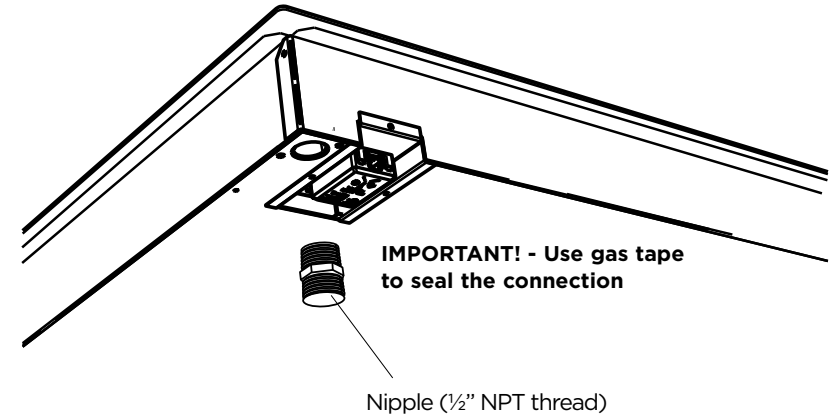


⑥ DISCARD PACKAGING

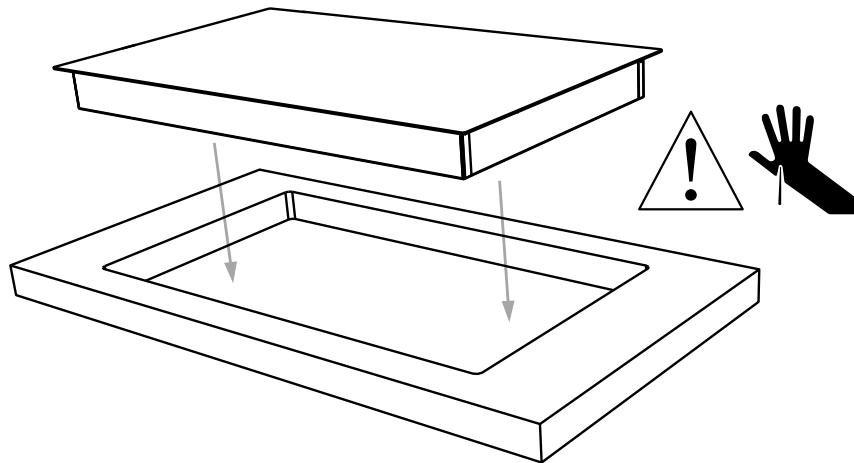
Model may vary from illustrations shown



⑦ FIT THE NIPPLE AND WASHER



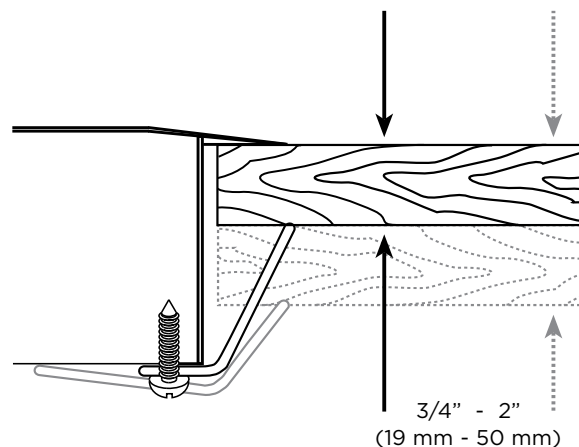
⑧ LOWER GENTLY INTO THE CUTOUT



9 SECURE TO COUNTERTOP WITH BRACKETS BASED ON THE COUNTERTOP THICKNESS

Place the cooktop into the cutout and tighten it with the supplied clamps. These will cope with the countertop thicknesses 3/4" - 2" (19 - 50 mm) when used in the two orientations shown.

IMPORTANT! - Do not over tighten.



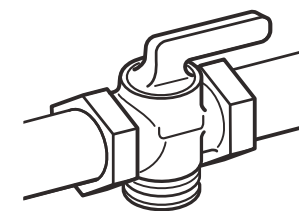
**REPEAT ON ALL THE OTHER SIDES
(Total 6 brackets)**

10 GAS CONNECTION

- Make sure the connection point will be accessible with the cooktop installed.
- To enable the gas supply to be readily shut off by the customer, make sure the connection is fitted with an isolating valve close to the cooktop.
- The appliance must be isolated from the gas supply piping system by closing its individual shut-off valve during any pressure testing of the gas supply piping system at test pressures at or less than 1/2 p.s.i. (3.5 kPa).
- Maximum inlet gas supply pressure 20" W.C. (5 kPa). Minimum gas supply pressure for regulator testing 5" W.C. Natural Gas / 12" W.C LP gas.
- A manual shut-off valve must be installed in an accessible location in the gas line external to the appliance for the purpose of turning on or shutting off gas to the appliance. (In Massachusetts, such shut-off devices should be approved by the Board of State Examiners of Plumbers & Gas Fitters).
- Gas connection to the product must use the nipple supplied with a 1/2" NPT external thread. The supplied gas pressure regulator must be installed where it will be accessible for adjustment. The metal flexible hose used must be new, CSA or UL-approved, and must have a 1/2" NPT external thread on one end and a 1/2" NPT one on the other

If connecting the gas with a flexible hose

- Ensure the hose is long enough to allow for removal of cooktop for servicing.
- Make sure the connector is located as shown in step 5 CLEARANCE DIMENSIONS.
- The hose assembly must be with an Rp 1/2" (ISO 7-1) female thread connection.
- The hose assembly must be as short as practicable and comply with the relevant requirements.
- The hose must not be kinked, subjected to abrasion or permanently deformed.
- The hose must not be near or in contact with any hot surfaces (e.g. base of metal hotplate, flue, or chassis of undercounter oven etc.)



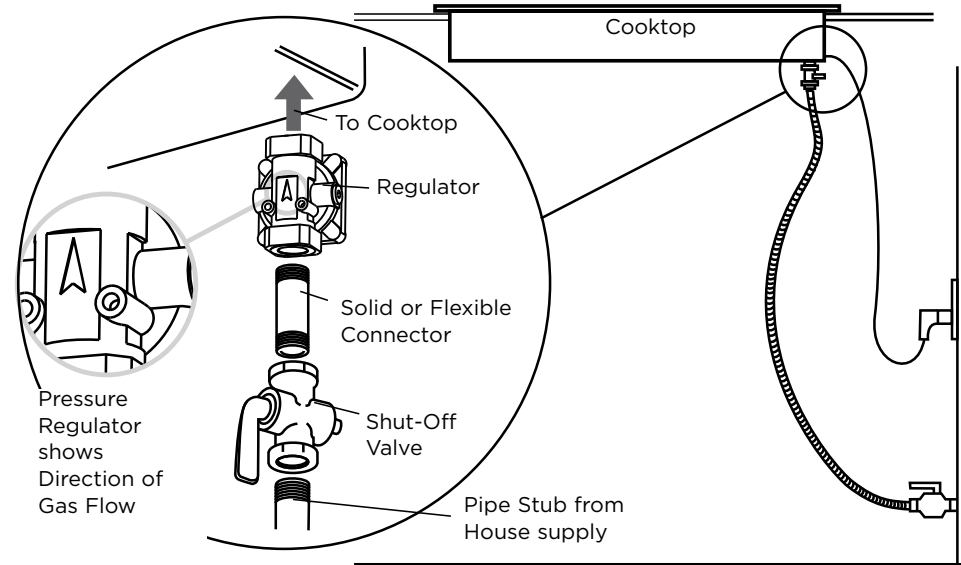
11 CONNECT TO THE GAS SUPPLY

This appliance is factory set for use with Natural Gas at 4" W.C.P. or LP Gas at 11" W.C.P. Check the label on the underside of the appliance.

Gas regulator

- For use with a gas pressure regulator as shown.

For LP models the regulator cap should be marked 'LP'.

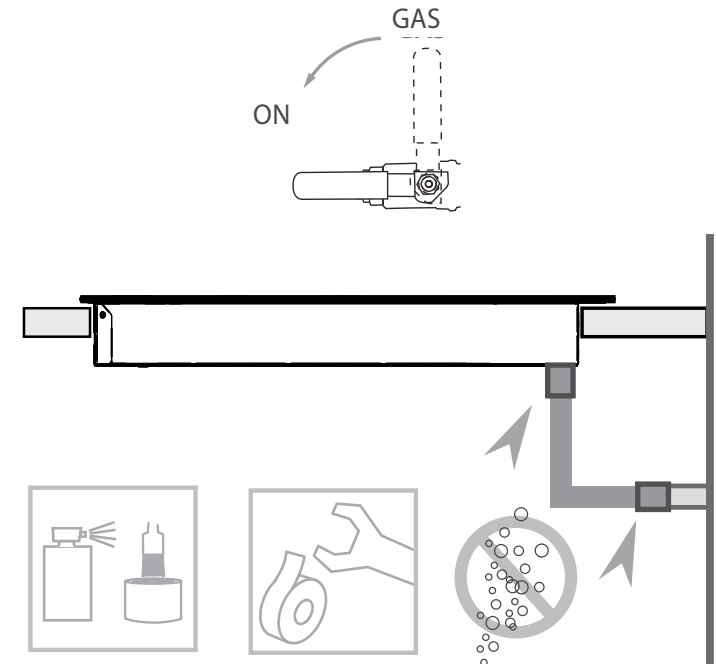


12 LEAK TESTING

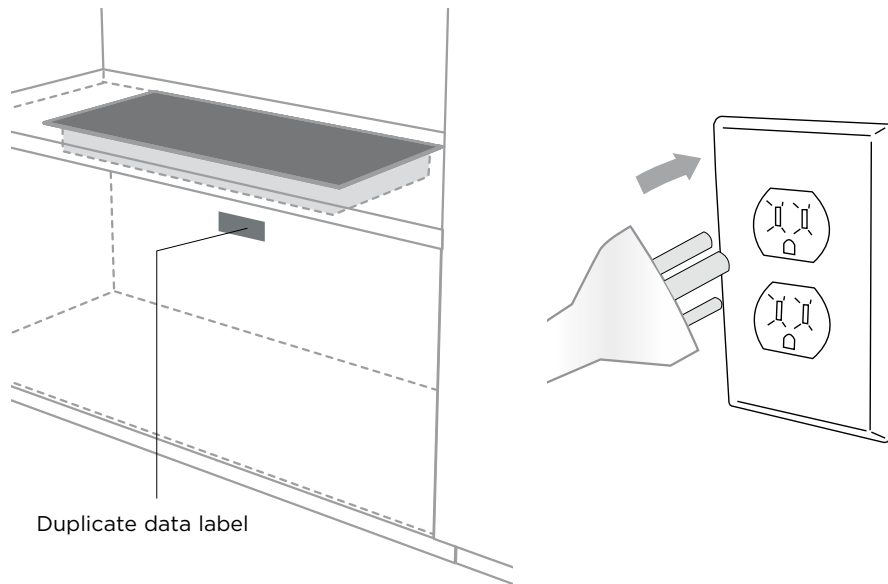
- Leak testing of the appliance shall be conducted according to the manufacturer's instructions.
- The appliance and its individual shut-off valve must be disconnected from the gas supply piping system during any pressure testing of that system in excess of 1/2 psi (3.5kPa).
- The appliance must be isolated from the gas supply piping system by closing its individual manual shut-off valve during any pressure testing of the gas supply piping system at test pressures at or less than 1/2 psi (3.5 kPa).
- Maximum inlet gas supply pressure 20" W.C. (5 kPa)
- Minimum gas supply pressure for regulator testing 5" W.C. Natural Gas, 12" W.C. LP Gas.

After installing the gas supply and making all connections, check thoroughly for possible leaks:

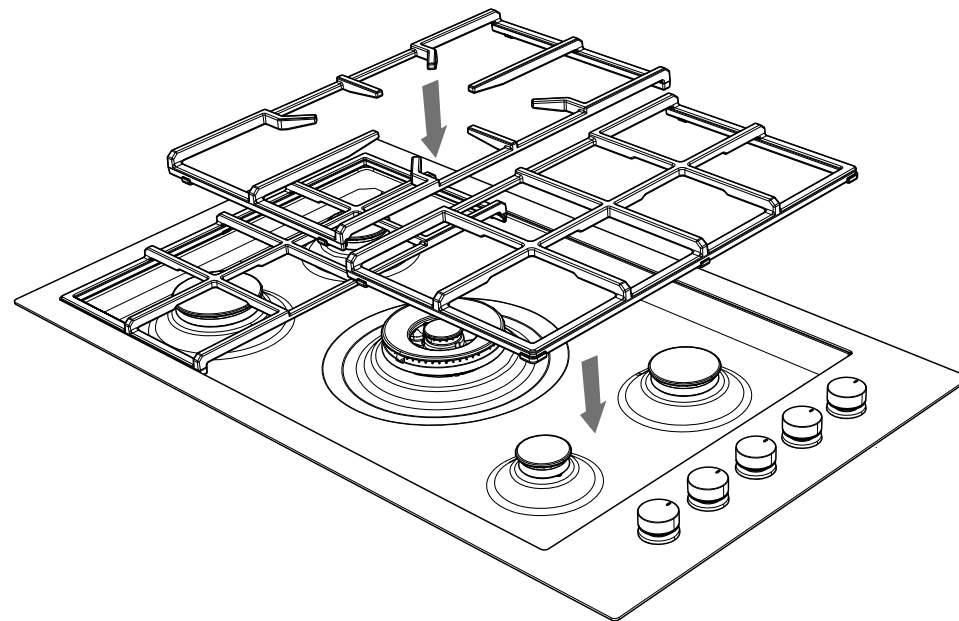
- Turn all control dials on unit to "OFF" position.
- Open the valve on the gas supply.
- Using a leak detection fluid (eg Rocol leak detection spray), check each gas connection one at a time by spraying or brushing the solution over the connection. The presence of bubbles will indicate a leak.
- If necessary, tighten the fitting and recheck for leaks.
- Turn on burner valve and light each burner.
- Check for a clear blue flame without yellow tipping. If burners show any abnormalities, check that they are located properly and in line with the injector orifice.



13 AFFIX DUPLICATE DATA LABEL SOMEWHERE ACCESSIBLE & PLUG COOKTOP IN

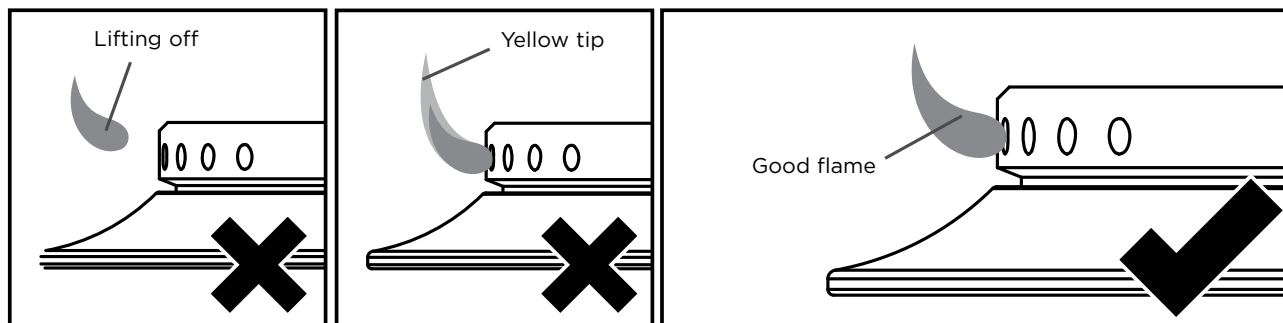


14 FIT PAN SUPPORTS



15 LEAK TESTING

- To check that the ignition system operates correctly, light each burner by itself, then all burners in combination.
- Check for a well-defined blue flame without any yellow tipping.
- If any abnormality is evident, check that the components of the burner assembly are located properly
- If proper operation cannot be obtained, contact Customer Care or your nearest F&P Authorized Service Center.
- The cooktop must not be used by the customer until proper operation has been achieved.





TO BE COMPLETED BY THE INSTALLER

- Have you installed the clamping brackets?
- Have you verified that the type of model (factory-set for NG or LP) matches the type of gas at the site of installation?
- Have you sealed all connections with gas tape?
- Have you leak-tested all connections?
- Is the cooktop set to the correct working pressure?
- Have you affixed the supplied duplicate data plate label on an adjacent surface accessible to the customer?
- Is the cooktop grounded?
- Check that the power supply cord is NOT touching the cooktop.

OPERATION:

- Do all burners ignite both individually and in combination?
- Are the flames consistent and appropriately sized?
- Have you demonstrated the basic operation to the customer?

Complete and keep for safe reference:

Model _____

Serial No. _____

Purchase Date _____

Purchaser _____

Dealer Address _____

Installer's Name _____

Installer's Signature _____

Installation Company _____

Installation Date _____