

# 30" Series 7 Classic 4 Burner Gas Range

Series 7 | Classic

Black

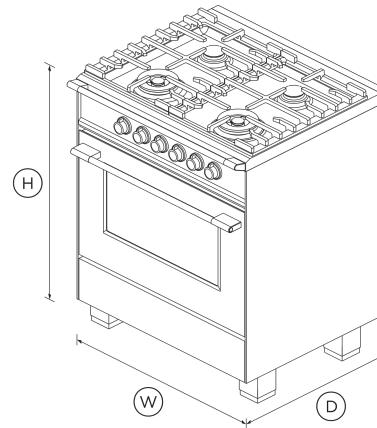


Create a striking classic kitchen. Your freestanding range has a spacious oven capacity and four gas burners for precise control.

- Four burner gas cooktop with two dual wok burners
- Gas oven with 3.5 cu ft total capacity
- Three oven functions: Bake, Convection Bake and Maxi Broil

## DIMENSIONS

|        |                   |
|--------|-------------------|
| Height | 35 3/4 - 37 5/8 " |
| Width  | 29 7/8 "          |
| Depth  | 25 1/4 "          |



## FEATURES & BENEFITS

### Design quality

This range has been carefully crafted in every detail from performance to durability using quality materials including the balanced soft-close door and rounded hob rail.

### Large Capacity Oven

The generous 3.5 cu.ft total capacity oven gives you plenty of space to cook multiple dishes at once, with enough room to fit a 26 lb turkey.

### Performance power

Precise cooktop controls let you sear or stir fry over instant, powerful heat. Use the high burner power or simmer a delicate sauce using the gentlest of heats.

### Easy Cleaning

With its durable surface, your cooktop simply needs a quick wipe after cooking to keep it looking good as new for years to come.

## SPECIFICATIONS

### Accessories (included)

|  |                      |
|--|----------------------|
| 2-pc grill system (Broil pan and Grill rack) | •                    |
| Broil pan                                    | •                    |
| Chromed shelf runners                        | 1 set                |
| Full extension telescopic shelves            | 2 sets (part 578776) |
| Small pot support                            | 1 (part 533981 cast) |

### Accessories (sold separately)

|  |                     |
|--|---------------------|
| Hob rear trim                          | 3 1/8" (part 81657) |
| Kick strip, black (optional)           | KICKOR30B1          |
| Kick strip, red (optional)             | KICKOR30R1          |
| Kick strip, stainless steel (optional) | KICKOR90X1          |
| Kick strip, white (optional)           | KICKOR30W1          |

### Burner ratings

|   |                 |
|---|-----------------|
| Dual wok burner inner/outer (LPG)         | 1000 - 18000BTU |
| Dual wok burner inner/outer (natural gas) | 1000 - 18000BTU |
| Maximum burner power                      | 18000 BTU       |

|                                 |                |
|---------------------------------|----------------|
| Semi-rapid burner (LPG)         | 1500 - 7600BTU |
| Semi-rapid burner (natural gas) | 1500 - 8000BTU |
| Total cooktop power             | 52000 BTU      |

|                       |   |
|-----------------------|---|
| <b>Oven functions</b> |   |
| Convection bake       | • |
| Number of functions   | 3 |

|                             |   |
|-----------------------------|---|
| <b>Rangetop Performance</b> |   |
| Number of burners           | 4 |

**Cleaning**

|                                |   |
|--------------------------------|---|
| Acid resistant graphite enamel | • |
| Removable oven door            | • |
| Removable shelf runners        | • |

|                         |               |
|-------------------------|---------------|
| <b>Oven performance</b> |               |
| Bake power              | 14000 BTU     |
| Broil                   | 11000 BTU     |
| CoolTouch door          | Triple glazed |

**Safety**

|   |            |
|---|------------|
| ADA compliant                             | •          |
| Advanced cooling system                   | •          |
| Anti-tilt bracket                         | •          |
| Balanced oven door                        | •          |
| Full extension telescopic sliding shelves | •          |
| Non-tip shelves                           | •          |
| Spill containment                         | 45.42 L    |
| Spill containment                         | 1/2 gallon |

**Controls**

|                       |   |
|-----------------------|---|
| Laser etched graphics | • |
|-----------------------|---|

**Power requirements**

|            |   |
|------------|---|
| Connection | 3-prong<br>grounding type<br>[NEMA 5-15P<br>plug] |
| Service    | 15 A  |
| Supply     | 120 V, 60Hz                                       |

|     |       |
|-----|-------|
| SKU | 81713 |
|-----|-------|

**Gas Requirements**

|                               |           |
|-------------------------------|-----------|
| Supply Pressure (LPG)         | 11" W.C.P |
| Supply Pressure (natural gas) | 4" W.C.P  |

**Product dimensions**

|        |                   |
|--------|-------------------|
| Depth  | 25 1/4 "          |
| Height | 35 3/4 - 37 5/8 " |
| Width  | 29 7/8 "          |

The product dimensions and specifications in this page apply to the specific product and model. Under our policy of continuous improvement, these dimensions and specifications may change at any time. You should therefore check with Fisher & Paykel's Customer Care Centre to ensure this page correctly describes the model currently available. © Fisher & Paykel Appliances Ltd 2020

**Oven features**

|   |                           |
|---|---------------------------|
| Auto re-ignition system                   | •                         |
| Concealed element                         | •                         |
| Convection                                | •                         |
| Electronic ignition                       | •                         |
| Full extension telescopic sliding shelves | •                         |
| Internal light                            | 2 x 25W halogen<br>(rear) |
| Soft open/close door                      | •                         |
| Storage drawer                            | •                         |

**Rangetop features**

|                              |   |
|------------------------------|---|
| Hob rail                     | • |
| LPG / Natural Gas compatible | • |
| Sealed range top             | • |

**Other product downloads available at fisherpaykel.com**

- [↓](#) 2D-DWG Gas Range
- [↓](#) 2D-DXF Gas Range
- [↓](#) Data Sheet Gas Range
- [↓](#) Service & Warranty
- [↓](#) Installation Guide EN
- [↓](#) Guide d'installation FR

- [↓](#) Revit Gas Cooktop
- [↓](#) Rhino Gas Cooktop
- [↓](#) Sketchup Gas Cooktop
- [↓](#) User Guide Freestanding Range EN
- [↓](#) Guide d'utilisation FR

**Where applicable:**

All appliances use energy, and energy usage typically generates carbon emissions. **Fisher & Paykel Appliances' In-use Energy Carbon Emissions Estimate** indicates carbon emissions from a product's in-use energy. This is calculated either annually or per cycle, using the product's market-specific energy label energy consumption data multiplied by the carbon emissions factor for energy in your country or region.

Our In-use Energy Carbon Emissions Estimate is designed to assist customers in making informed purchasing decisions when comparing different Fisher & Paykel products. For example, a heat pump dryer typically has a lower In-use Energy Carbon Emissions Estimate than a vented dryer.



**A PEACE OF MIND SALE**  
24 Hours 7 Days a Week Customer Support  
T 1.888.936.7872 W [www.fisherpaykel.com](http://www.fisherpaykel.com)