

FISHER & PAYKEL

PRELIMINARY SPECIFICATION GUIDE

WARMING DRAWER, 24"



OVERVIEW

Designed to complement our Minimal style ovens, these warming drawers are handle-free, and push-to-open for a coherent, considered look. Beautiful to use, with capacitive touch controls and six tailored functions for warming, proofing, dehydrating and slow cook. Pair with other companion products to create a kitchen suite for every need.

MODELS

Warming Drawer, 24inch, Panel Ready*

Minimal Black
WB24SDB1-SET

*This model comes with an accessory door panel, and is not suitable for use with a custom door panel

SERIES & STYLE

Series 9
Minimal

FEATURES

- ① Styled to perfectly match our Minimal kitchen appliances
- ② Seamless pairing with our Minimal style ovens and other companion products
- ③ Push-to-open drawer
- ④ Easy-to-use capacitive touch controls
- ⑤ Easy-to-clean, smooth-glass base
- ⑥ Room for six standard-sized place settings
- ⑦ Automatic timing, switch-off functionality
- ⑧ Interior LED lighting
- ⑨ Versatile with six tailored programmes for warming, proofing, dehydrating and slow cook

FISHER & PAYKEL

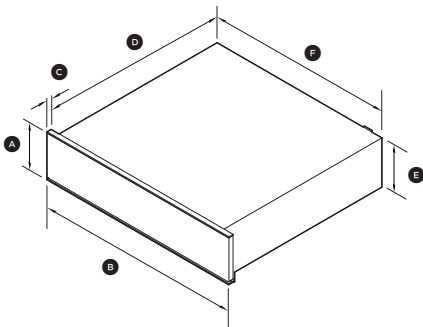
PRELIMINARY SPECIFICATION GUIDE

WARMING DRAWER, 24"

PRODUCT SPECIFICATIONS

Model No.	WB24SDB1-SET
Dimensions	H 5 1/2" W 23 7/16" D 22 5/16"
Weight	48.50lbs (22kg)
Electrical	
Supply	110 V, 60 Hz
Service	10 A
Connection	Flex cord
Power cord length	70 7/8" (1800mm)

PRODUCT DIMENSIONS

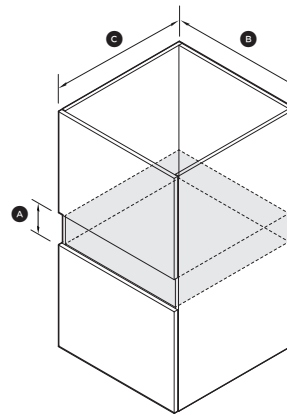


	inch	mm
(A) Overall height	5 1/2	140
(B) Overall width	23 7/16	596
(C) Depth front panel	13/16	20
(D) Depth of chassis*	21 9/16	547
(E) Height of chassis	5 1/2	140
(F) Width of chassis*	21 3/8	543

* Including power plug

NOTE: The drawer can fully support 24inch Fisher & Paykel wall oven, without adding shelf in between.

CAVITY DIMENSIONS: STANDARD INSTALLATION



	inch	mm
(A) Minimum inside height	5 9/16	142
(B) Minimum inside width	22 1/16	560
(C) Minimum inside depth	21 5/8	550