

30" Series 5 Contemporary Over the Range Microwave

Series 5 | Contemporary

Black

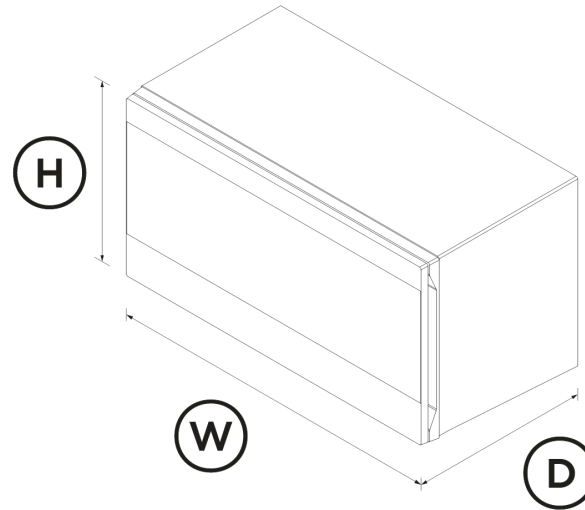


Combine the flexibility of microwave cooking with powerful ventilation, featuring 1000 watts of power and a 300CFM extraction rate.

- Ideal for everyday use with a 1.6 cu ft capacity
- 10 functions including Defrost, Popcorn and Sensor Reheat, giving you the best of microwave technology
- Easy-to-use touch controls
- Removable carousel for easy cleaning

DIMENSIONS

| | |
|--------|--------|
| Height | 16.5 " |
| Width | 29.9 " |
| Depth | 15.6 " |



SPECIFICATIONS

| | |
|-----------------|-----------|
| Capacity | |
| Total capacity | 1.6 cu ft |

Controls

| | |
|-------------------------------|---|
| Audio feedback | • |
| Electronic clock | • |
| Intuitive touchscreen display | • |

| | |
|-----------------|---|
| Microwave timer | • |
| Turntable | • |

Functions

| | |
|---------------------|----|
| Beverage reheat | • |
| Defrost | • |
| Number of functions | 10 |
| Pizza bake | • |
| Popcorn | • |

Performance

| | |
|------------------------|--------|
| Microwave power | 1000 W |
| Microwave power levels | 10 |

Power Requirements

| | |
|------------------|-------|
| Supply frequency | 60 Hz |
| Supply voltage | 120 V |

Product Dimensions

| | |
|--------|--------|
| Depth | 15.6 " |
| Height | 16.5 " |
| Width | 29.9 " |

Ventilation Performance

| | |
|----------------------|---------|
| Fan speeds | 2 |
| Maximum air movement | 300 CFM |

| | |
|----------------------|----------------|
| Maximum sound rating | 7 sones |
| Minimum sound rating | 3 sones |
| <hr/> | |
| SKU | 71638 |
| <hr/> | |

The product dimensions and specifications in this page apply to the specific product and model. Under our policy of continuous improvement, these dimensions and specifications may change at any time. You should therefore check with Fisher & Paykel's Customer Care Centre to ensure this page correctly describes the model currently available. © Fisher & Paykel Appliances Ltd 2020

All appliances use energy, and energy usage typically generates carbon emissions. **Fisher & Paykel Appliances' In-use Energy Carbon Emissions Estimate** indicates carbon emissions from a product's in-use energy. This is calculated either annually or per cycle, using the product's market-specific energy label energy consumption data multiplied by the carbon emissions factor for energy in your country or region.

Our In-use Energy Carbon Emissions Estimate is designed to assist customers in making informed purchasing decisions when comparing different Fisher & Paykel products. For example, a heat pump dryer typically has a lower In-use Energy Carbon Emissions Estimate than a vented dryer.



A PEACE OF MIND SALE
24 Hours 7 Days a Week Customer Support
 T 1.888.936.7872 W www.fisherpaykel.com

Other product downloads available at fisherpaykel.com

- [↓ 2D-DWG Over The Range Microwave](#)
- [↓ 2D-DXF Over The Range Microwave](#)
- [↓ Installation Guide EN](#)
- [↓ Installation Guide FR](#)
- [↓ Installation Guide SP](#)
- [↓ Planning Guide EN](#)
- [↓ Planning Guide FR](#)
- [↓ Planning Guide SP](#)
- [↓ Revit 20](#)
- [↓ Rhino 6](#)
- [↓ SketchUp 8 Microwave](#)
- [↓ User Guide EN](#)
- [↓ User Guide FR](#)
- [↓ User Guide SP](#)

Where applicable: