

FISHER & PAYKEL

INTEGRAL KIT

ActiveSmart models RF331T, RF381T, RF411T, R440T, RF521T,
RF373, RF450, E450, RF308, RF388, E388
Cabinet widths 525, 635, 680 and 790mm

INSTALLATION GUIDE

NZ AU

⚠ WARNING!



Electrical Shock Hazard

Before carrying out any work on the electrical section of the appliance, it must be disconnected from the mains electricity supply.

Connection to a good earth wiring system is absolutely essential and mandatory.

Alterations to the domestic wiring system must only be made by a qualified electrician.

Failure to follow this advice may result in electrical shock or death.

IMPORTANT SAFETY INSTRUCTIONS!

To reduce the risk of fire, electrical shock, injury to person, or damage when using the ActiveSmart model, read these instructions carefully before installing this product.

- Make this information available to the person installing the product – doing so may reduce your installation costs.
- Installation work, maintenance and repairs may only be carried out by suitably qualified and competent persons in accordance with national and local safety regulations.
- Always disconnect the power supply prior to carrying out any installation, maintenance or repair work.
- Before installation make sure that the voltage and frequency listed on the data plate corresponds with the household electrical supply.
- The electrical outlet should be easily accessible after installation.

WARNING!

- The adjustment of glass shelves is NOT possible once the refrigerator has been integrated.
- This Kit is not suitable for French door models.
- Keep ventilation openings clear of obstruction in the appliance enclosure or in the built-in structure.

IMPORTANT!

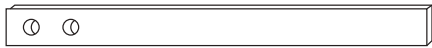
To achieve optimum performance refrigerators require sufficient air clearance.

With integration the appliance is closed off from air flow by the cabinet, and its energy, temperature and/or basic performance could be affected as compared to a freestanding product. If there are any issues with the product's performance due to integration, this is at the customer's risk.

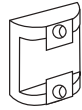
IMPORTANT! SAVE THESE INSTRUCTIONS

The models shown in this installation guide may not be available in all markets and are subject to change at any time. For current details about model and specification availability in your country, go to our website fisherpaykel.com or contact your local Fisher & Paykel dealer.

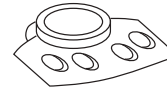
② PARTS SUPPLIED (PART NO. 814990)



Rail slide (4)
No. 880791



Bracket slide (4)
No. 880792



Foot integration (2)
No. 880793



Cap elliptical for foot
integration (8)
No. 880794



Spacer 20mm (2)
No. 880795



Screw (8)
(#8X3/4 CSK POSI)
No. 880796



Screw (2)
(#8X30 CSK POSI)
No. 880797



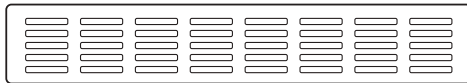
Screw (8)
(#8X40 CSK POSI)
No. 880798



Screw (4)
(#8X 1/2 PAN PH)
No. 900373



Plug (5)
No. 880618



Ventilation Grille (1)*
No. 873917

* Ventilation grille (not part of the kit, order separately, recommended for integration of 790 wide models).

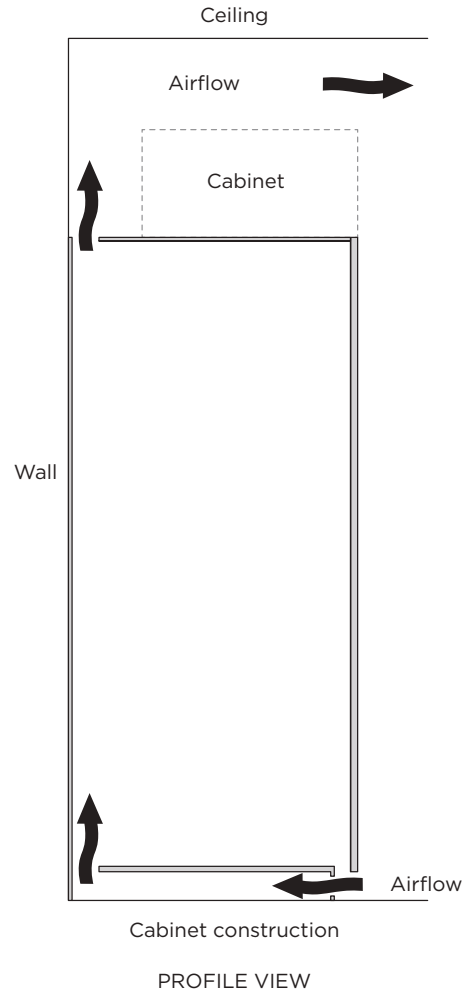
3 INSTALLATION DIMENSIONS

Cabinet construction

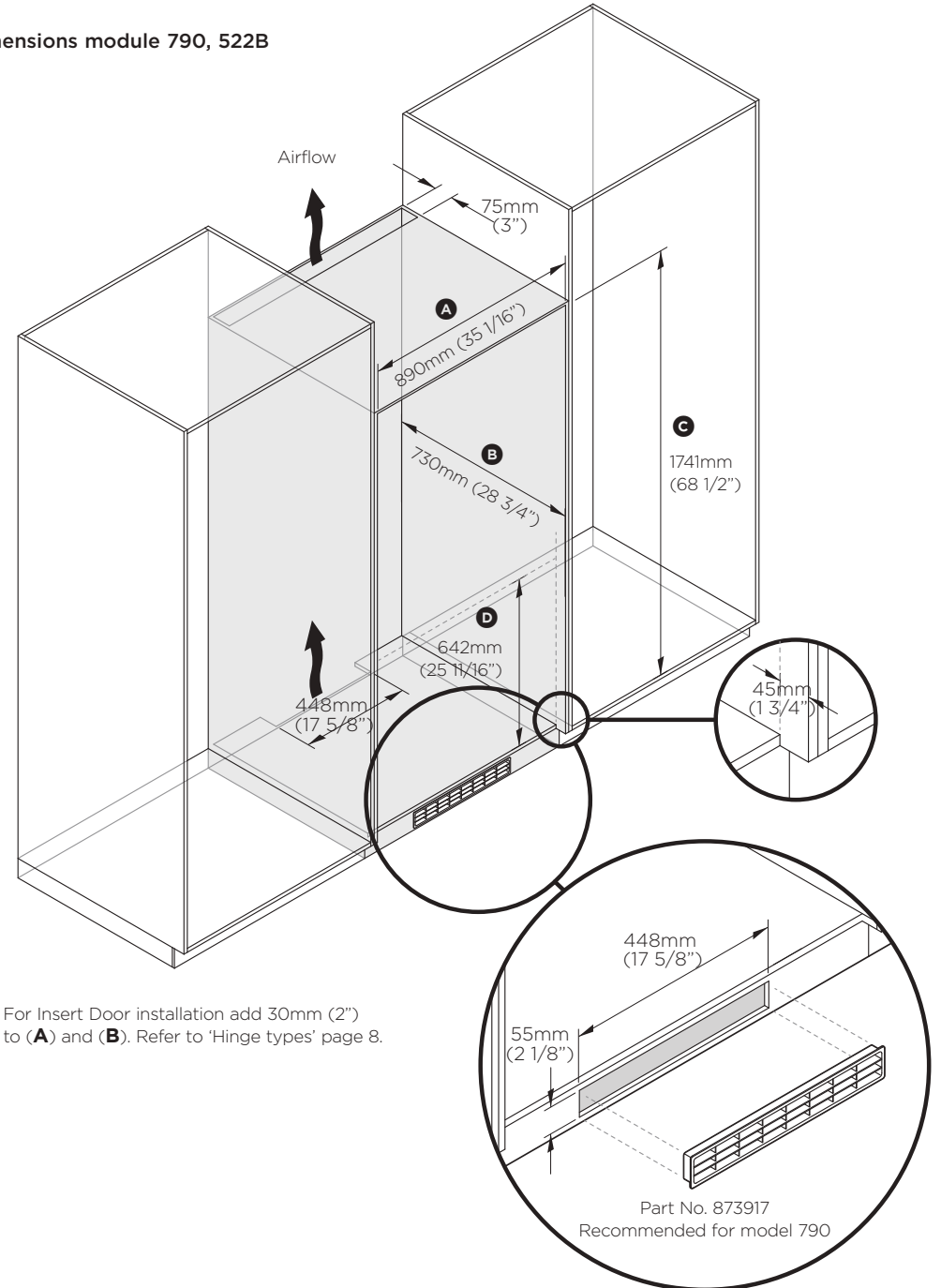
The base of the cabinet must be level, eg a shim may be required to lift the rear.

This diagram depicts the use of a ventilation grille. We recommend the use of this grille when integrating 790mm wide models. This grille is not included in the kit, but it can be ordered as Part No. 873917.

Note: See 'Safety and Warnings' (page 1) regarding air clearance and optimum performance.



Sample dimensions module 790, 522B

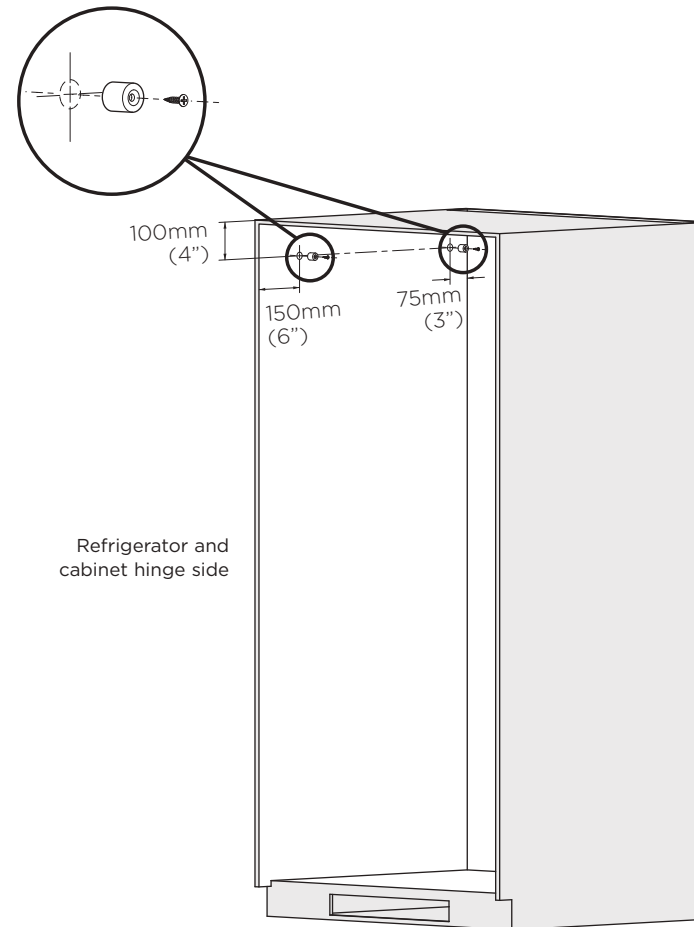


④ CAVITY DIMENSIONS

CAVITY DIMENSIONS	MODEL 635							
	E331T, RF331T mm (inches)	RF373, RF308 mm (inches)	E381T, RF381T mm (inches)	E372B, RF372B mm (inches)	E411T, RF411T mm (inches)	E402B, RF402B mm (inches)	E415H mm (inches)	E450, E388, RF450, RF388 mm (inches)
Ⓐ Width	735 (29")	735 (29")	735 (29")	735 (29")	735 (29")	735 (29")	735 (29")	735 (29")
Ⓑ Depth	730 (28 3/4")	730 (28 3/4")	730 (28 3/4")	730 (28 3/4")	730 (28 3/4")	730 (28 3/4")	730 (28 3/4")	730 (28 3/4")
Ⓒ Height — Flat and curved doors (non-concealed hinge)	1456 (57 3/8")	1456 (57 3/8")	1626 (64")	1626 (64")	1726 (68")	1726 (68")	1726 (68")	1726 (68") (Flat and curved)
	Height — Flat door (concealed hinge)	1471 (57 7/8")	1471 (57 7/8")	1641 (64 5/8")	1641 (64 5/8")	1741 (68 1/2")	1741 (68 1/2")	
Ⓓ Fridge/Freezer door gap	976 (38 7/16")	-	1146 (45 1/8")	657 (25 7/8")	1245 (49")	657 (25 7/8")	1245 (49")	-

CAVITY DIMENSIONS	MODEL 680				MODEL 790	
	E413T mm (inches)	E406B mm (inches)	E440T mm (inches)	E442B, RF442 mm (inches)	E521T, RF521T mm (inches)	E522B, RF522B mm (inches)
Ⓐ Width	780 (30 3/4")	780 (30 3/4")	780 (30 3/4")	780 (30 3/4")	890 (35 1/16")	890 (35 1/16")
Ⓑ Depth	730 (28 3/4")	730 (28 3/4")	730 (28 3/4")	730 (28 3/4")	730 (28 3/4")	730 (28 3/4")
Ⓒ Height — Flat and curved doors	1616 (63 5/8")	1616 (63 5/8")	1716 (67 9/16")	1716 (67 9/16")	1716 (67 9/16")	1716 (67 9/16")
	Height — Flat door	-	-	1741 (68 1/2")	1741 (68 1/2")	1741 (68 1/2")
Ⓓ Fridge/Freezer door gap	1141 (44 7/8")	652 (25 11/16")	1240 (48 13/16")	652 (25 11/16")	1240 (48 13/16")	652 (25 11/16")

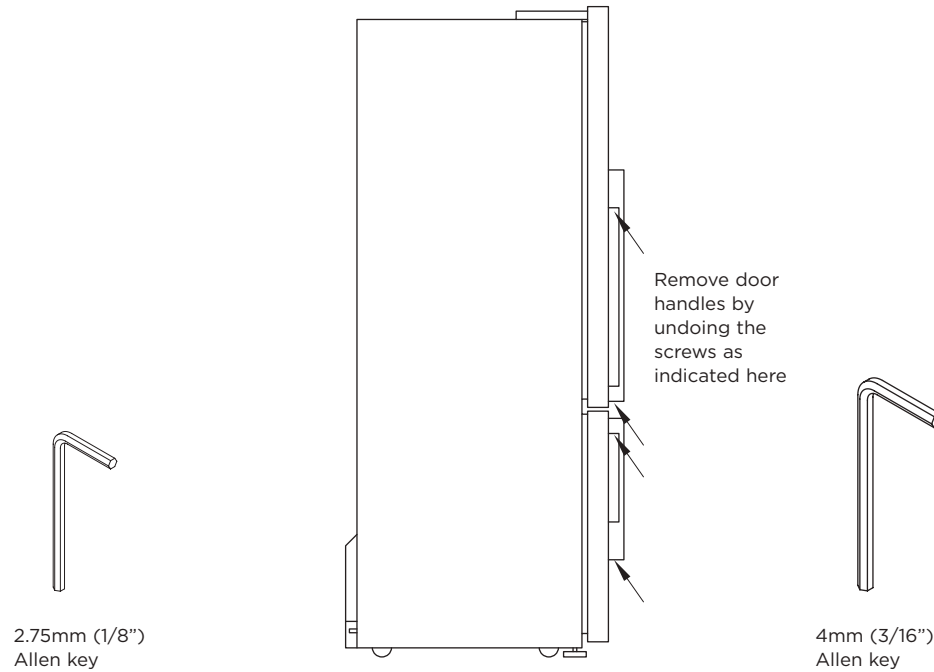
Note: Alternative installation can cause some restriction to the refrigerator's air supply and reduce its optimum energy performance level.



Prepare refrigerator for installation

- ① Check that the internal cupboard dimensions are correct. Refer to 'Product dimensions' (page 4).
- ② Unpack the refrigerator protecting the floor and/or paint work from damage.
- ③ Check that the refrigerator door is hinged on the side best suited for its position. Refer to the 'User guide' for instructions to change hinge side if required.

⑥ REMOVE REFRIGERATION HANDLES



Remove the door handles

- After removing the door handles fit the small plugs (supplied) into the visible screw holes.
- Attach the spacers with the screws supplied to the side of the built-in cabinet on the side without hinges.
- Position approximately 100mm (4") from the top front, 150mm (6") from the front edge, and 75mm (3") rear corners of the refrigerator cabinet.
- These spacers along with the foot integration bracket maintain an even gap of 20mm (3/4") between the cupboard and the refrigerator side.

IMPORTANT!

Take care not to scratch the appliance doors with the Allen key.

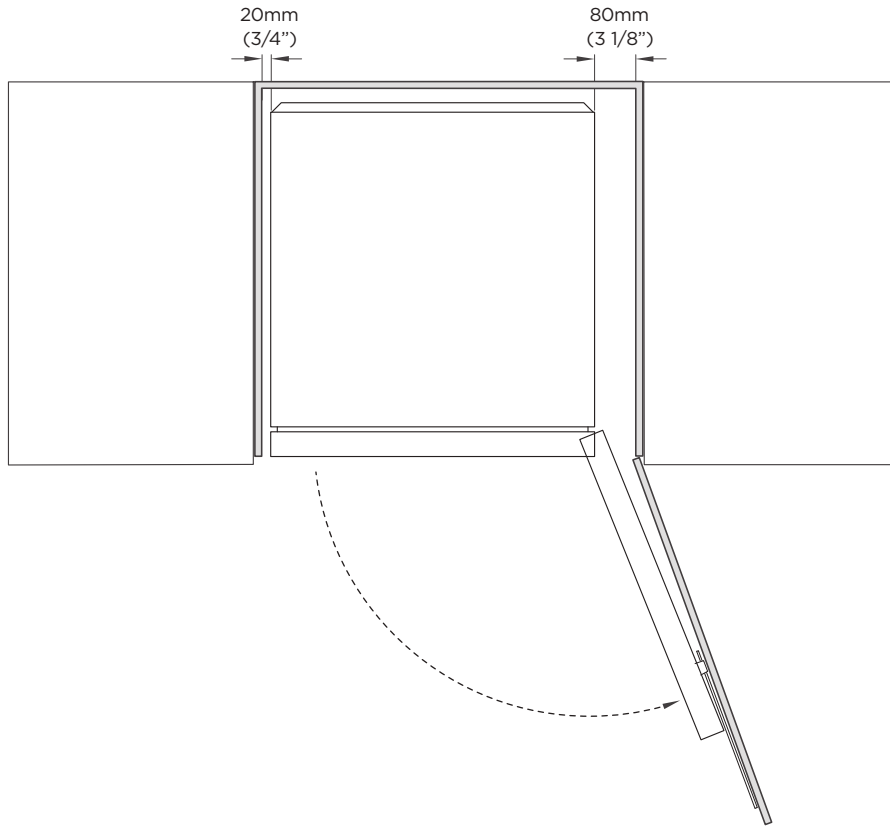
- ① Remove small screw from underneath the handle using a 2.75mm (1/8") Allen key.
- ② Once screws have been removed, the protruding links that attached the handle can be removed from the door.

Double flat doors—designer handles

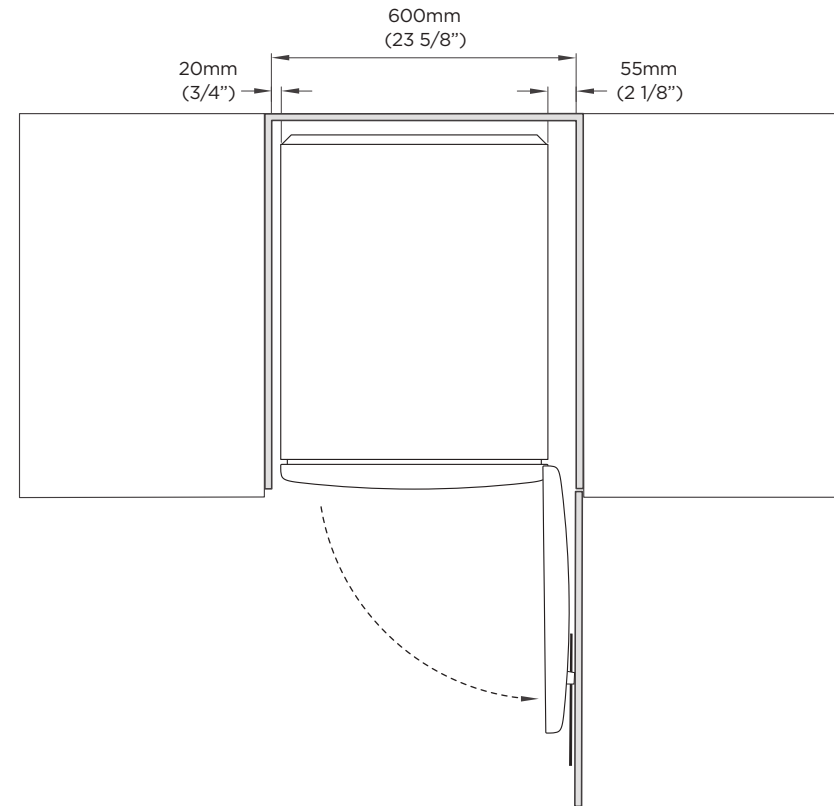
- ① Remove the grub screw from the underneath the handles using a 4mm (3/16") Allen key.
- ② Remove the handles.
- ③ Remove the links (bosses) that attach the handle to fridge.

7 DOOR CABINETRY PLACEMENT

Placement — 110° full door rotation



Placement — 90° door rotation



Internal dimensions width of the built in cabinet

790, 680 or 635 models

Internal cabinet width = Product width (790, 680 or 635) + 80mm (3 1/8") hinge side clearance and 20mm (3/4") hinge clearance door open side.

For height dimensions of the doors remember to account for the thickness of the material used in the floor and roof of the built in cabinet as the dimensions stated are all internal.

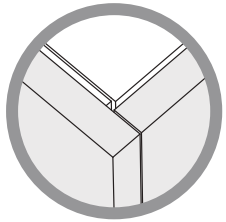
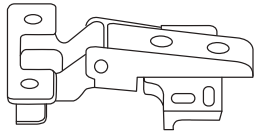
525 models

Internal cabinet width 600mm (23 5/8") = Product width 525mm (20 5/8") + 55mm (2 1/8") hinge side clearance and 20mm (3/4") door open side.

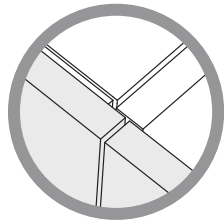
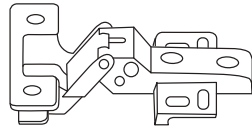
Only 90° hinges are to be used. See 'Hinge types' section (page 8)

Note: All dimensions shown are internal.

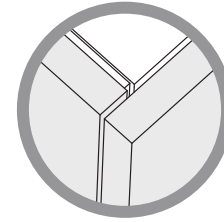
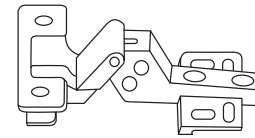
8 HINGE TYPES



Full overlay

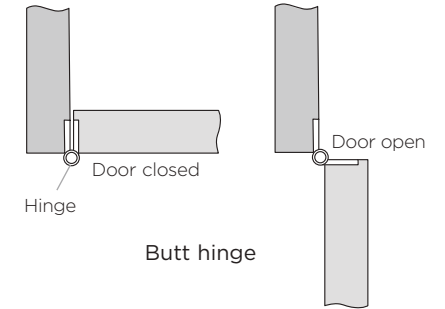
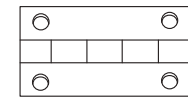


Half overlay

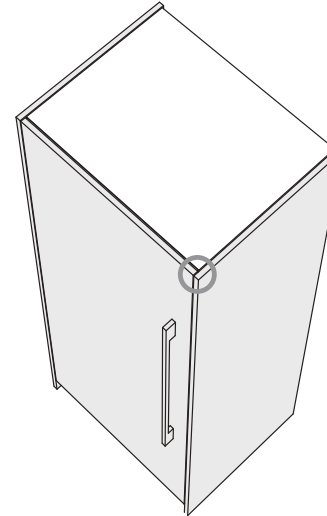
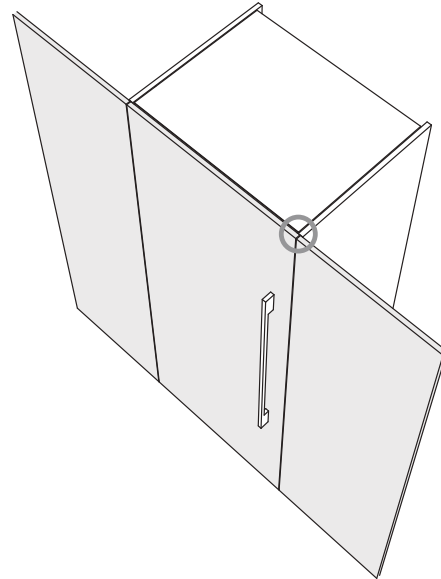
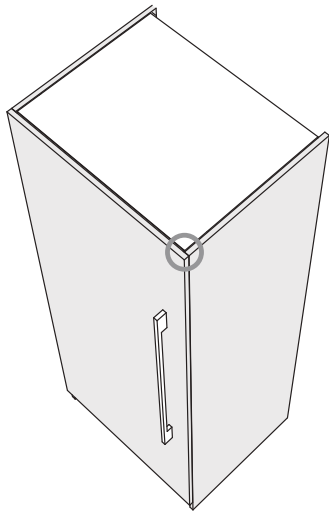


Insert door

Add 30mm (2") to dimensions **(A)** and **(B)**
refer 'Cavity dimensions' (page 4)



Butt hinge



Types of hinging that can be used

790, 680 or 635 models

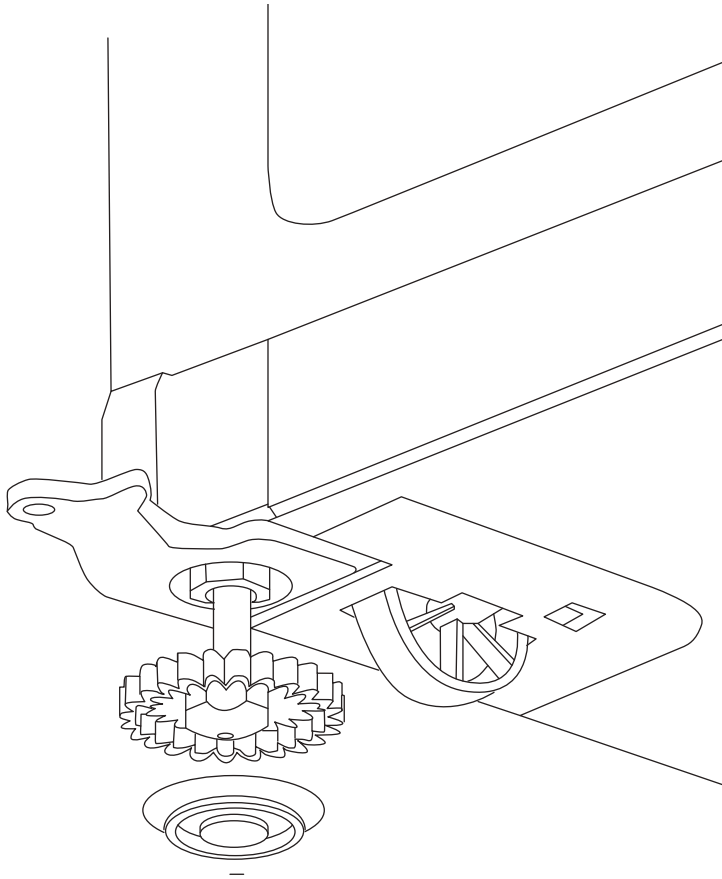
Hinges are available in a vast array of opening angles and overlay options. We recommend that 110° hinges having a low profile are used, either full or half overlay such as the GRASS brand. Use hinges that can carry a high load, especially when integrating 790 models.

Note: refer to your kitchen cabinet designer/supplier for hinge options, positioning and loading.

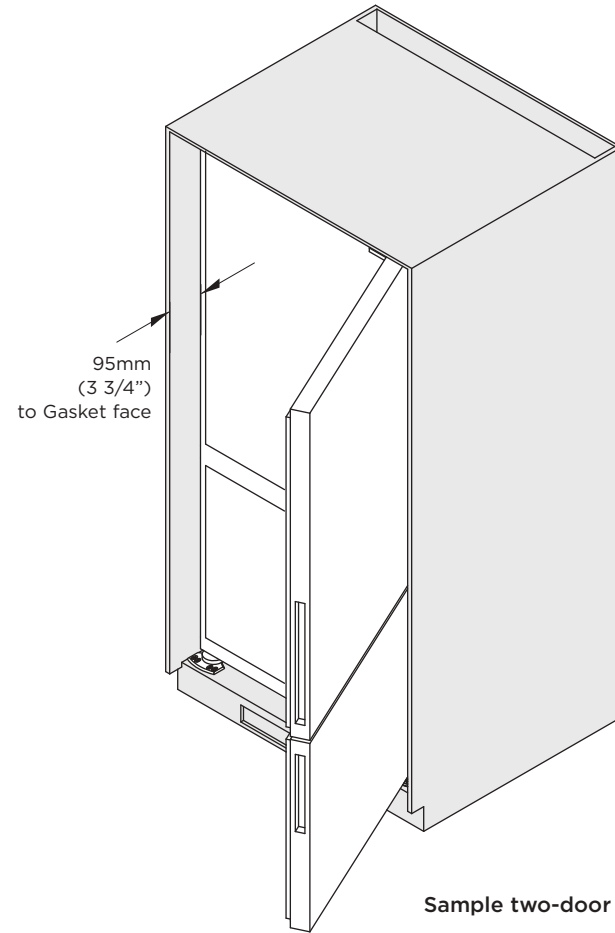
525 models

We recommend only 90° hinges
(to allow fitment in 600 modular units).

9 FOOT LEVELLING



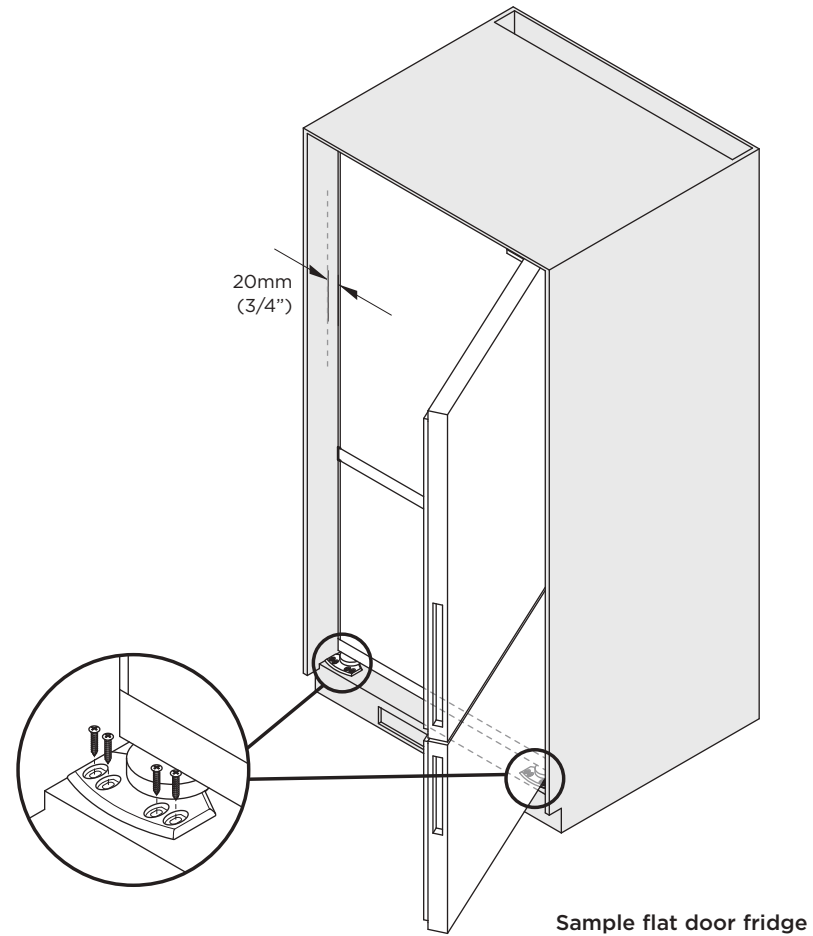
- ① Using two people, tilt the product back and remove the levelling foot circular base insert from the front levelling feet, a small flat blade screw driver can be used to lever and 'pop out' the central circular insert.
- ② Lift the product into the cabinet.



Sample two-door fridge

- ③ Lift the front edge of the product and slide the integration foot under the levelling foot.
- ④ Push the product back to allow the outer cabinet door to close. This will be approximately 95mm (3 3/4") from the front edge of the built in cabinet to the gasket face of the refrigerator.

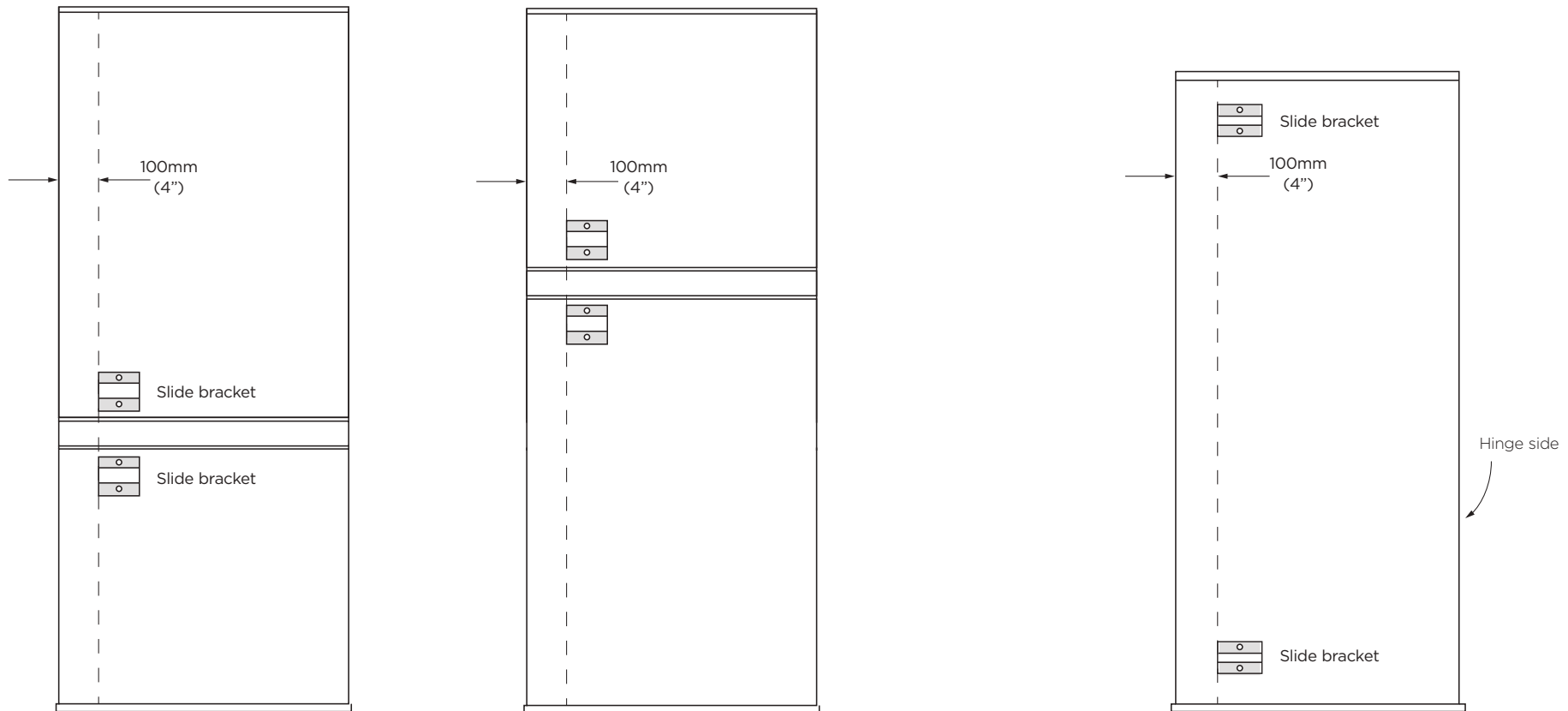
10 ALIGN REFRIGERATOR TO CABINETRY



- 1 Slide the product toward the opening side of the cupboard.
The integrated foot should touch the cupboard wall.
This will set a 20mm (3/4") gap between cupboard and refrigerator.
- 2 Adjust the product so it is parallel to the cabinet front to back and side to side.
This is obtained by the adjustment of the front levelling feet.

11 SECURE SLIDE BRACKET TO REFRIGERATOR DOORS

Attach the slide bracket to the side of the door opposite to the hinges, 100mm (4") in from the edge.



Double door

On a two-door refrigerator use one slide bracket per door.

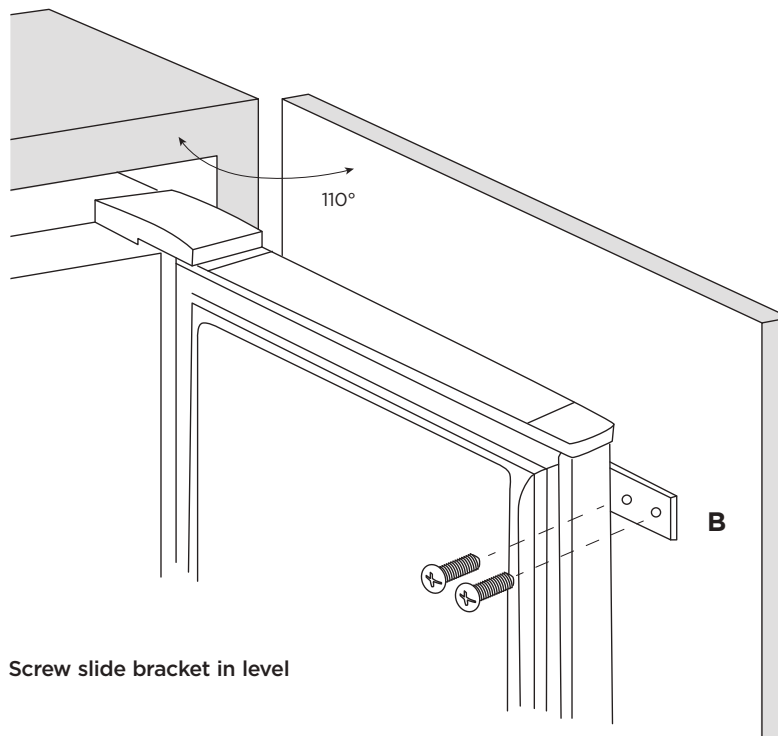
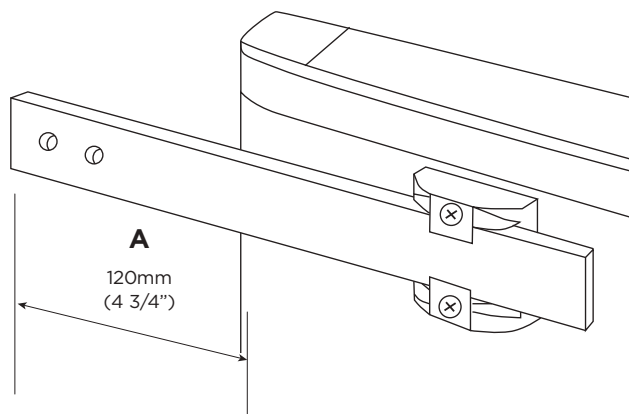
790 model

If integrating a 790 model, we recommend using two slide brackets per door — one near the bottom of the door and one near the top of the door to evenly distribute the weight. The brackets should be attached to the opening side of the doors near the refrigerator and freezer compartments.

Single door

On a single door refrigerator use one slide bracket at each end of the door. Screw brackets firmly into the steel door face using the countersunk screw.

⑫ SECURE SLIDE BRACKET TO CABINETRY DOOR



- ① Open both cupboard and refrigerator door to 110° (525 compact models to 90°).
- ② Put the slide bracket into the retainer, 120mm (43/4") approximately past refrigerator door (A).

- ③ Check that the screw supplied will not penetrate front surface of cupboard door (B).
- ④ Screw the slide bracket level into the cupboard door.
- ⑤ Check the slide mechanism does not bind through swing of door.
- ⑥ Repeat the above steps for the second bracket.

IMPORTANT

Ensure that refrigerator doors are able to close fully and seal around the flexible gasket on the refrigerator/freezer. This is to prevent air leaks and icing problems.

Complete Installation

Complete the installation by screwing the foot integration into position, using screw supplied with the kit, and the cap elliptical to cover the screws.

✓ **TO BE COMPLETED BY THE INSTALLER**

- Check the appliance is level and securely fitted to the cabinetry.
- Check all parts are installed.
- Ensure all internal and external packaging is removed from the appliance before use.
- Check that the isolating switch is accessible by the customer.
- If required, ensure the stability bracket has been fitted correctly.
- Ensure doors can open and close freely with no resistance from surrounding cabinetry.

Test operation:

- Turn the appliance on.
- Check the light works.
- Check the temperature.
- 0°, 90°, 110° door angles.

FISHERPAYKEL.COM

© Fisher & Paykel Appliances 2019. All rights reserved.
The product specifications in this booklet apply to the specific products and models described at the date of issue. Under our policy of continuous product improvement, these specifications may change at any time. You should therefore check with your Dealer to ensure this booklet correctly describes the product currently available.

NZ AU

846233B 01.19