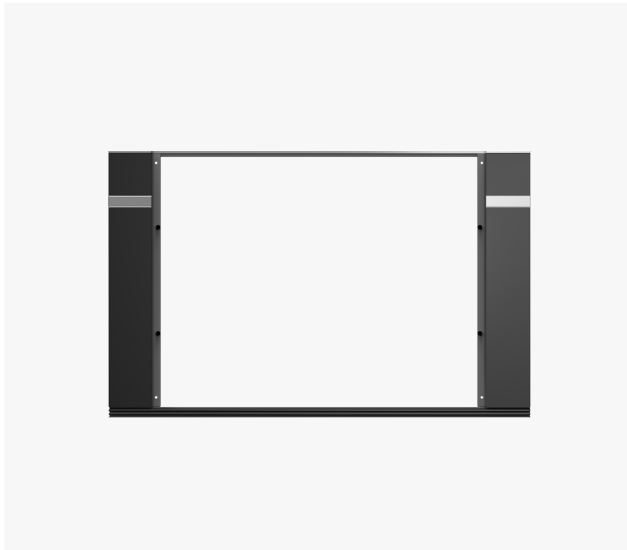


Companion Trim Kit, 30"

Series 9 | Contemporary

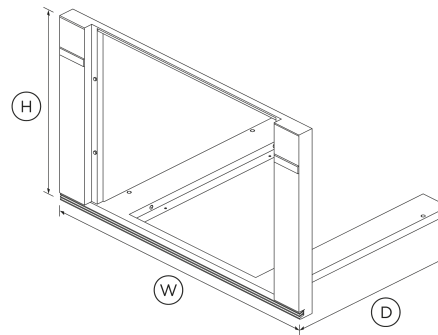
Black



Blends our Companion Built-In Coffee Maker (EB24DSXB1) or Combination Steam Oven (OS24NDB1) into your cabinetry seamlessly.

DIMENSIONS

Height	18 13/16 "
Width	29 13/16 "



SPECIFICATIONS

Product Dimensions

Height	18 13/16 "
Width	29 13/16 "

SKU	82294
-----	-------

The product dimensions and specifications in this page apply to the specific product and model. Under our policy of continuous improvement, these dimensions and specifications may change at any time. You should therefore check with Fisher & Paykel's Customer Care Centre to ensure this page correctly describes the model currently available. © Fisher & Paykel Appliances Ltd 2020

Other product downloads available at fisherpaykel.com

- [↓ Service & Warranty](#)
- [↓ Installation Guide Cavity Trim Kit EN](#)
- [↓ Installation Guide Trim Kit for Companion Coffee Maker EN](#)
- [↓ Installation Guide Trim Kit for Companion Oven EN](#)

Where applicable:

All appliances use energy, and energy usage typically generates carbon emissions. **Fisher & Paykel Appliances' In-use Energy Carbon Emissions Estimate** indicates carbon emissions from a product's in-use energy. This is calculated either annually or per cycle, using the product's market-specific energy label energy consumption data multiplied by the carbon emissions factor for energy in your country or region.

Our In-use Energy Carbon Emissions Estimate is designed to assist customers in making informed purchasing decisions when comparing different Fisher & Paykel products. For example, a heat pump dryer typically has a lower In-use Energy Carbon Emissions Estimate than a vented dryer.



A PEACE OF MIND SALE
24 Hours 7 Days a Week Customer Support
 T 1.888.936.7872 [Wwww.fisherpaykel.com](https://www.fisherpaykel.com)