

Integrated Dishwasher, Sanitise

Series 7 | Integrated

Panel Ready

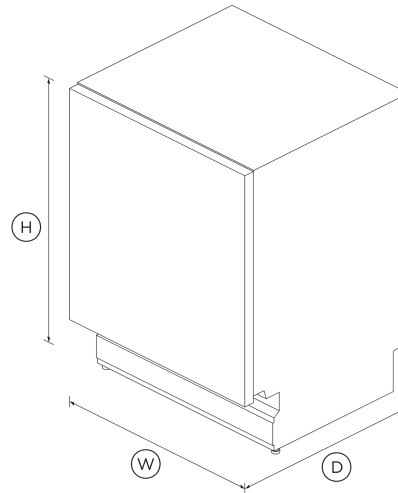


Designed to be integrated seamlessly into your surrounding cabinetry, with superior wash performance.*

- Customise with your own front panel and handle to match your kitchen cabinetry
- Seven wash programs to suit any load, from Delicate to Heavy
- Quick, Sanitise and Extra Dry provide extra wash options

DIMENSIONS

Height	820 - 880 mm
Width	598 mm
Depth	552 mm



FEATURES & BENEFITS

Seamless Integration

Customise your dishwasher with a panel and handle matching your cabinetry, for a seamless finish in your kitchen.

Quick, Sanitise And Extra Dry Options

The Quick wash modifier results in a faster clean, while maintaining wash performance. The Sanitise option provides extra protection, killing 99.9% of bacteria in the final rinse. The Extra Dry setting is perfect for plastic dishes.

Quiet Performer

Running at a very low decibel rating, this dishwasher does its job without making a fuss. The combination of clever technology and simple mechanics means greater reliability and superior wash performance.

A Quality Wash

The 3 stage filtration system delivers a superior clean. Cup racks, wine glass supports and utensil tray allow safe and easy cleaning of everyday items. A rinse aid indicator reminds you to top up for squeaky-clean dishes.

Flexible Wash Options

With 7 wash programs and Quick, Sanitise and Extra Dry modifiers, this dishwasher provides a cycle for every occasion including Auto, which automatically senses the optimal cycle for your dishes.

Simple To Use

Designed to fit 15 place settings, the flexible racking system features a third sliding rack for cutlery and utensils. Features such as the floor light cycle indicator, LED interior light and time remaining display make this dishwasher simple to use.

SPECIFICATIONS

Accessories (included)

Kickstrip true

Accessories (sold separately)

Handle kit Classic	AHCL-DDDW-24X
Handle kit Contemporary round, aluminium	AHS-OBDD-60S
Handle kit Contemporary square fine, aluminium	AHD5-OBDD-60SX
Handle kit Contemporary square fine, black	AHD5-OBDD-60SB

- Handle kit Contemporary square, aluminium **AHD3-OBDD-60S**
- Handle kit Contemporary square, black **AHD3-OBDD-60B**
- Handle kit Professional round flush **AHP3-DWDD-60S**

Capacity and loading

- Accommodates round plates up to **300mm**
- Adjustable height, foldable cupracks •
- Easy lift adjustable upper basket •
- Fold down tines •
- Full width cutlery/utensil tray •
- Height adjustable rear wine glass supports •
- Pitch adjustable tines •
- Place settings **15**
- Place settings **15**
- Wine glass supports •

Consumption

- Energy rating **4 star**
- In-use energy carbon emissions estimate **159.6kgCO₂e/year**
- Water rating **5.5 star (WELS)**

Controls

- End of cycle beeps •
- Energy saving delay start option of up to 12 hours •
- Floor light cycle feedback •
- Keylock •
- Rinse aid indicator light •

Features

- Quiet operation •
- ThermoDry system •
- Three-stage filtration system •
- Variable wash pressure technology •

Performance

Noise emissions **44 dBA**

Power requirements

Amperage **10A**
 Supply frequency **50Hz**
 Supply voltage **220 - 240V**

Product dimensions

Depth **552 mm**
 Height **820 - 880 mm**
 Width **598 mm**

Warranty

Parts and labour **2 years**

Wash Program Modifiers

- Extra Dry •
- Half load •
- Quick •

- Sanitise •
- Wash modifiers **4**

Wash Programs

- Auto •
- Delicate •
- Eco •
- Fast •
- Heavy •
- Medium •
- Rinse •
- Wash programs **7**

Water connection

Water pressure **30kPa - 1000 kPa**
 Water supply **3/4" BSP (20mm) Connector Water Inlet Hose**

SKU **81201**

The product dimensions and specifications in this page apply to the specific product and model. Under our policy of continuous improvement, these dimensions and specifications may change at any time. You should therefore check with Fisher & Paykel's Customer Care Centre to ensure this page correctly describes the model currently available. © Fisher & Paykel Appliances Ltd 2020

Other product downloads available at fisherpaykel.com

- [↓](#) 2D-DWG Integrated Dishwasher
- [↓](#) 2D-DXF Integrated Dishwasher
- [↓](#) Data Sheet Integrated Dishwasher
- [↓](#) Energy & Water Label
- [↓](#) Service & Warranty
- [↓](#) Installation Guide
- [↓](#) Quick Start Guide
- [↓](#) User Guide

Where applicable:

All appliances use energy, and energy usage typically generates carbon emissions. **Fisher & Paykel Appliances' In-use Energy Carbon Emissions Estimate** indicates carbon emissions from a product's in-use energy. This is calculated either annually or per cycle, using the product's market-specific energy label energy consumption data multiplied by the carbon emissions factor for energy in your country or region.

Our In-use Energy Carbon Emissions Estimate is designed to assist customers in making informed purchasing decisions when comparing different Fisher & Paykel products. For example, a heat pump dryer typically has a lower In-use Energy Carbon Emissions Estimate than a vented dryer.



A PEACE OF MIND SALE
24 Hours 7 Days a Week Customer Support
T 1300 650 590 W www.fisherpaykel.com