

FISHER & PAYKEL

SPECIFICATION GUIDE

INTEGRATED COLUMN REFRIGERATORS OR FREEZERS



OVERVIEW

Mix and match these Integrated Column Refrigerators or Freezers for true design freedom. Designed to fit flush with cabinetry with minimal 3mm gaps, the Columns can be installed separately or paired. Customise with your own panels and handles to integrate into kitchen cabinetry or select our optional stainless steel panels.

MODELS*

457mm Integrated Column Freezer
RS4621FRJK1, RS4621FLJK1

610mm Integrated Column Freezer
RS6121FRJK1, RS6121FLJK1

610mm Integrated Column Refrigerator
RS6121SRK1, RS6121SLK1

762mm Integrated Column Freezer
RS7621FRJK1, RS7621FLJK1

762mm Integrated Column Refrigerator
RS7621SRK1, RS7621SLK1

* Left and right hand models available

FEATURES

- ① Flush fit design
- ② Bright LED lighting through entire interior
- ③ Choice of door panel and handle finishes
- ④ Dual independent temperature zones
- ⑤ Tall door design
- ⑥ Cantilevered shelves
- ⑦ Easy to access and use touch-control panel
- ⑧ Hidden ventilation grille
- ⑨ Energy efficient
- ⑩ ActiveSmart™ Food Care helps keep food fresher for longer

ACCESSORIES

- ① Handle options available or customise your own
- ② Optional easy-to-install dual joiner kit
- ③ EZKleen stainless steel door panel and handle kit
- ④ Stainless steel kick panel

FISHER & PAYKEL

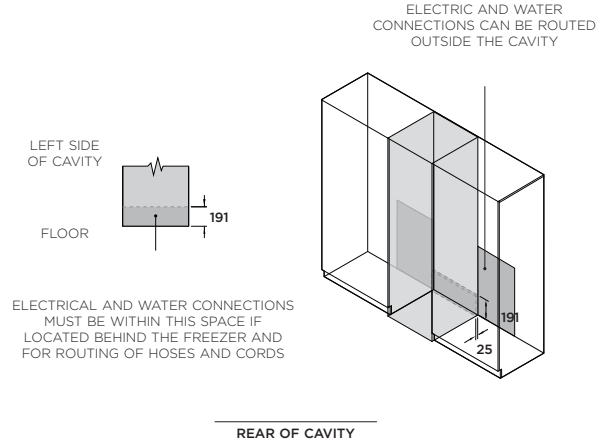
SPECIFICATION GUIDE

457MM INTEGRATED COLUMN FREEZER

SPECIFICATIONS

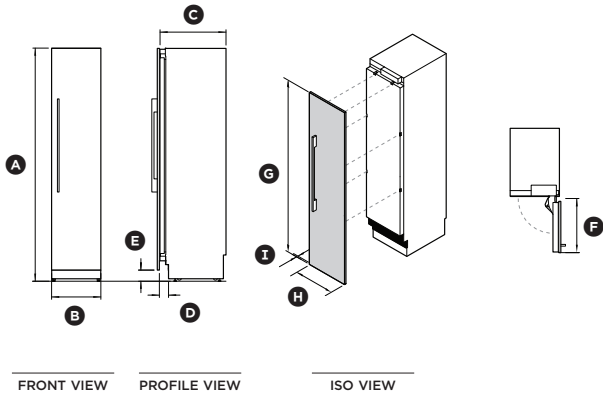
Model No.	RS4621FRJK1: Note — Left hand hinge model is a mirrored version of image shown. RS4621FLJK1
Dimensions	H 2134mm x W 451mm x D 610mm
Door Clearance	508mm
Weight	118kg
Door Hinge	Hettich KO5
Electrical	
Supply	220 - 240 VAC, 50 Hz
Service	10 amp circuit
Outlet	3-prong grounded
Plumbing	
Supply	1/4"
Pressure	Min 150 kPa (22 psi) Max 827 kPa (120 psi) @ 20°C

PLUMBING AND ELECTRICAL



* Please note: Location of services will affect the cavity depth.

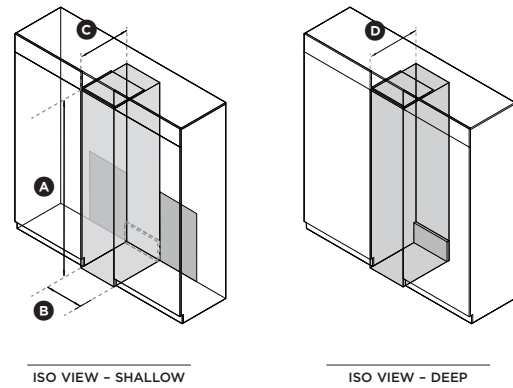
PRODUCT DIMENSIONS



		mm
A	Overall height of product	2134
B	Overall width of product	451
C	Overall depth of product (excl. front of door panel)	610
D	Depth of toekick (excl. front of door panel)	68 - 101
E	Height of toekick*	51 - 152
F	Width of door (widest opening) measured from front of door	508
G	Height of product front panel	2029
H	Width of product front panel	451
I	Depth of product front panel (excludes handles)	19

* Standard toekick height is 102mm with the optional stainless door panel. For custom door panel installation, a custom toekick 51 - 152mm can be manufactured and fitted by cabinetmaker. The custom door panel height needs to be adjusted accordingly.

CAVITY DIMENSIONS: STANDARD INSTALLATION



		mm
A	Overall height of cavity	2134
B	Overall width of cavity	457
C	Minimum overall depth (shallow) of cavity when services are located outside of cavity*	635
D	Minimum overall depth (deep) of cavity when services are located at the rear of cavity*	650
	Minimum cabinetry gap clearance from edge of door panels	3
	Minimum required finished return, sides and top of cavity	102

* Assumes a door panel thickness of 19mm.

FISHER & PAYKEL

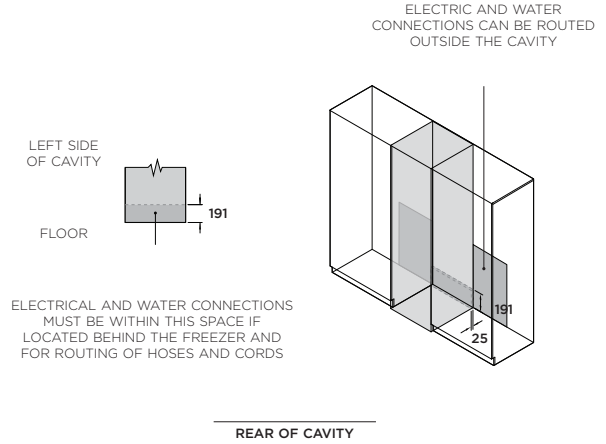
SPECIFICATION GUIDE

610MM INTEGRATED COLUMN FREEZER

SPECIFICATIONS

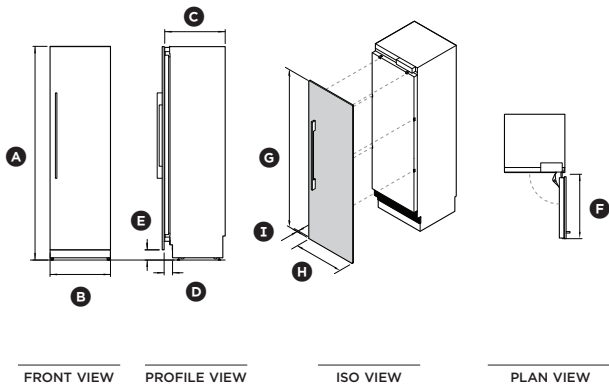
Model No.	RS6121FRJK1: Note — Left hand hinge model is a mirrored version of image shown. RS6121FLJK1
Dimensions	H 2134mm x W 604mm x D 610mm
Door Clearance	660mm
Weight	137kg
Door Hinge	Hettich KO5
Electrical	
Supply	220 - 240 VAC, 50 Hz
Service	10 amp circuit
Outlet	3-prong grounded
Plumbing	
Supply	1/4"
Pressure	Min 150 kPa (22 psi) Max 827 kPa (120 psi) @ 20°C

PLUMBING AND ELECTRICAL



* Please note: Location of services will affect the cavity depth.

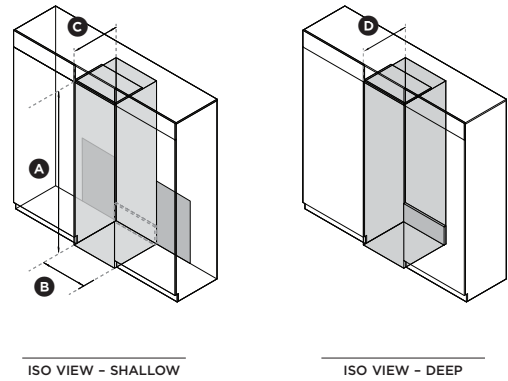
PRODUCT DIMENSIONS



		mm
A	Overall height of product	2134
B	Overall width of product	604
C	Overall depth of product (excl. front of door panel)	610
D	Depth of toekick (excl. front of door panel)	68 - 101
E	Height of toekick*	51 - 152
F	Depth of door (widest opening) measured from front of door	660
G	Height of product front panel	2029
H	Width of product front panel	604
I	Depth of product front panel (excludes handles)	19

* Standard toekick height is 102mm with the optional stainless door panel. For custom door panel installation, a custom toekick 51 - 152mm can be manufactured and fitted by cabinetmaker. The custom door panel height needs to be adjusted accordingly.

CAVITY DIMENSIONS: STANDARD INSTALLATION



		mm
A	Overall height of cavity	2134
B	Overall width of cavity	610
C	Minimum overall depth (shallow) of cavity when services are located outside of cavity*	635
D	Minimum overall depth (deep) of cavity when services are located at the rear of cavity*	650
	Minimum cabinetry gap clearance from edge of door panels	3
	Minimum required finished return, sides and top of cavity	102

* Assumes a door panel thickness of 19mm.

FISHER & PAYKEL

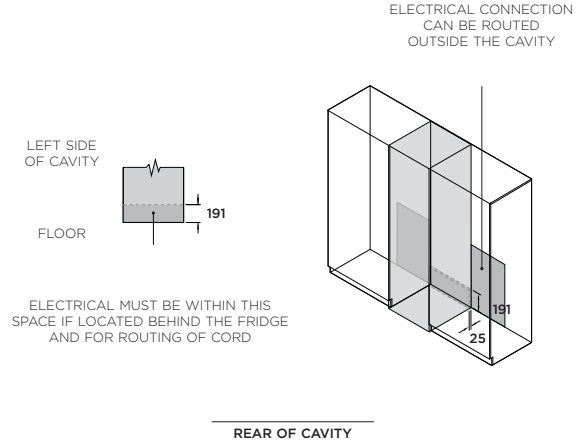
SPECIFICATION GUIDE

610MM INTEGRATED COLUMN REFRIGERATOR

SPECIFICATIONS

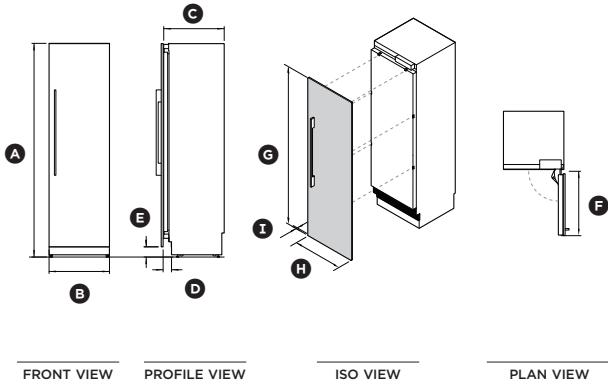
Model No.	RS6121SRK1: Note — Left hand hinge model is a mirrored version of image shown. RS6121SLK1
Dimensions	H 2134mm x W 604mm x D 610mm
Door Clearance	660mm
Weight	137kg
Door Hinge	Hettich KO5
Electrical	
Supply	220 - 240 VAC, 50 Hz
Service	10 amp circuit
Outlet	3-prong grounded

ELECTRICAL



* Please note: Location of services will affect the cavity depth.

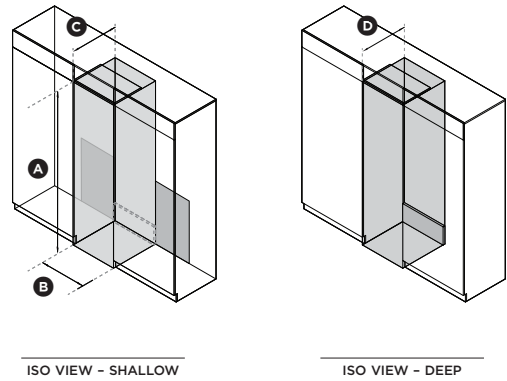
PRODUCT DIMENSIONS



		mm
A	Overall height of product	2134
B	Overall width of product	604
C	Overall depth of product (excl. front of door panel)	610
D	Depth of toekick (excl. front of door panel)	68 - 101
E	Height of toekick*	51 - 152
F	Depth of door (widest opening) measured from front of door	660
G	Height of product front panel	2029
H	Width of product front panel	604
I	Depth of product front panel (excludes handles)	19

* Standard toekick height is 102mm with the optional stainless door panel. For custom door panel installation, a custom toekick 51 - 152mm can be manufactured and fitted by cabinetmaker. The custom door panel height needs to be adjusted accordingly.

CAVITY DIMENSIONS: STANDARD INSTALLATION



		mm
A	Overall height of cavity	2134
B	Overall width of cavity	610
C	Minimum overall depth (shallow) of cavity when services are located outside of cavity*	635
D	Minimum overall depth (deep) of cavity when services are located at the rear of cavity*	650
	Minimum cabinetry gap clearance from edge of door panels	3
	Minimum required finished return, sides and top of cavity	102

* Assumes a door panel thickness of 19mm.

FISHER & PAYKEL

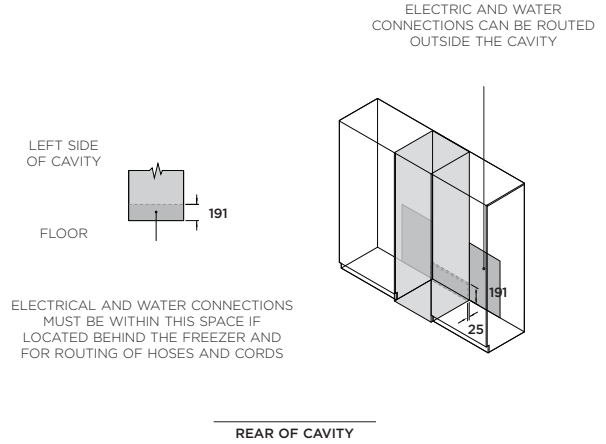
SPECIFICATION GUIDE

762MM INTEGRATED COLUMN FREEZER

SPECIFICATIONS

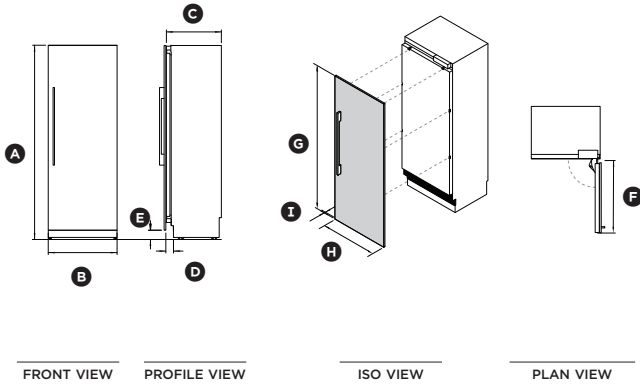
Model No.	RS7621FRJK1: Note — Left hand hinge model is a mirrored version of image shown. RS7621FLJK1
Dimensions	H 2134mm x W 756mm x D 610mm
Door Clearance	813mm
Weight	156kg
Door Hinge	Hettich KO5
Electrical	
Supply	220 - 240 VAC, 50 Hz
Service	10 amp circuit
Outlet	3-prong grounded
Plumbing	
Supply	1/4"
Pressure	Min 150 kPa (22 psi) Max 827 kPa (120 psi) @ 20°C

PLUMBING AND ELECTRICAL

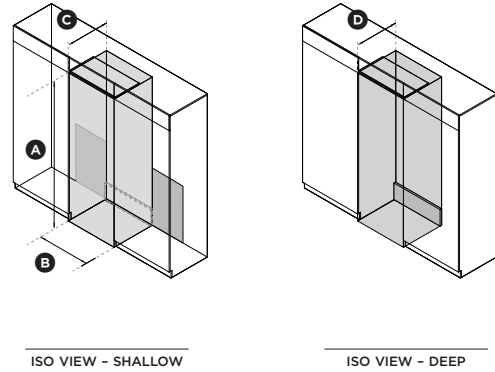


* Please note: Location of services will affect the cavity depth.

PRODUCT DIMENSIONS



CAVITY DIMENSIONS: STANDARD INSTALLATION



		mm
(A)	Overall height of product	2134
(B)	Overall width of product	756
(C)	Overall depth of product (excl. front of door panel)	610
(D)	Depth of toekick (excl. front of door panel)	68 - 101
(E)	Height of toekick*	51 - 152
(F)	Depth of door (widest opening) measured from front of door	813
(G)	Height of product front panel	2029
(H)	Width of product front panel	756
(I)	Depth of product front panel (excludes handles)	19

* Standard toekick height is 102mm with the optional stainless door panel. For custom door panel installation, a custom toekick 51 - 152mm can be manufactured and fitted by cabinetmaker. The custom door panel height needs to be adjusted accordingly.

		mm
(A)	Overall height of cavity	2134
(B)	Overall width of cavity	762
(C)	Minimum overall depth (shallow) of cavity when services are located outside of cavity*	635
(D)	Minimum overall depth (deep) of cavity when services are located at the rear of cavity*	650
	Minimum cabinetry gap clearance from edge of door panels	3
	Minimum required finished return, sides and top of cavity	102

* Assumes a door panel thickness of 19mm.

FISHER & PAYKEL

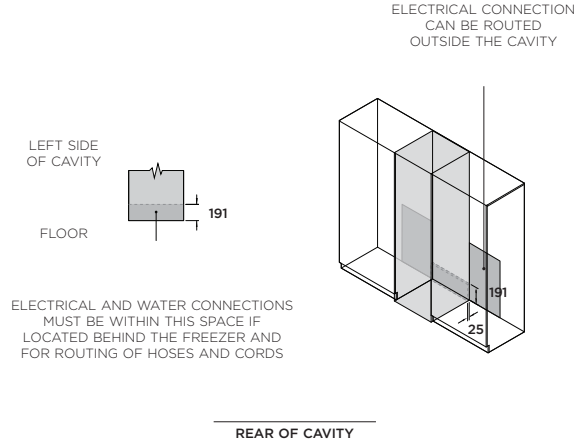
SPECIFICATION GUIDE

762MM INTEGRATED COLUMN REFRIGERATOR

SPECIFICATIONS

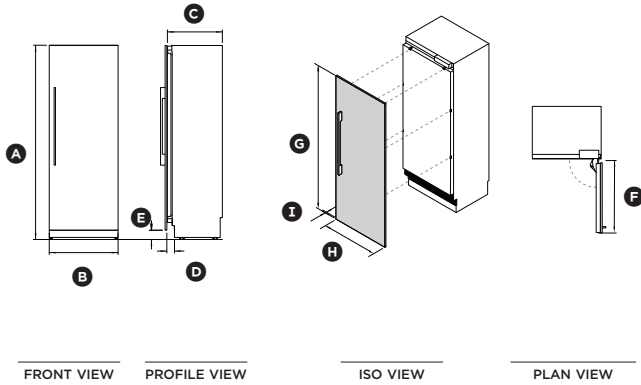
Model No.	RS7621SRK1: Note – Left hand hinge model is a mirrored version of image shown. RS7621SLK1
Dimensions	H 2134mm x W 756mm x D 610mm
Door Clearance	813mm
Weight	156kg
Door Hinge	Hettich KO5
Electrical	
Supply	220 - 240 VAC, 50 Hz
Service	10 amp circuit
Outlet	3-prong grounded

ELECTRICAL

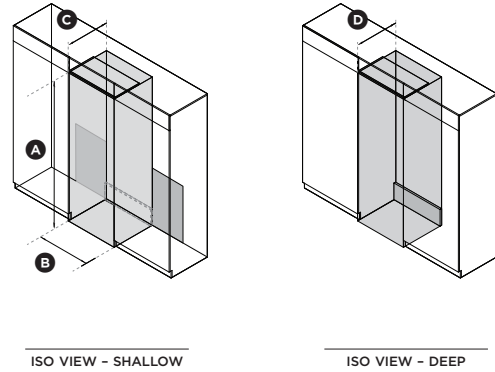


* Please note: Location of services will affect the cavity depth.

PRODUCT DIMENSIONS



CAVITY DIMENSIONS: STANDARD INSTALLATION



		mm
(A)	Overall height of product	2134
(B)	Overall width of product	756
(C)	Overall depth of product (excl. front of door panel)	610
(D)	Depth of toekick (excl. front of door panel)	68 - 101
(E)	Height of toekick*	51 - 152
(F)	Depth of door (widest opening) measured from front of door	813
(G)	Height of product front panel	2029
(H)	Width of product front panel	756
(I)	Depth of product front panel (excludes handles)	19

* Standard toekick height is 102mm with the optional stainless door panel. For custom door panel installation, a custom toekick 51 - 152mm can be manufactured and fitted by cabinetmaker. The custom door panel height needs to be adjusted accordingly.

		mm
(A)	Overall height of cavity	2134
(B)	Overall width of cavity	762
(C)	Minimum overall depth (shallow) of cavity when services are located outside of cavity*	635
(D)	Minimum overall depth (deep) of cavity when services are located at the rear of cavity*	650
	Minimum cabinetry gap clearance from edge of door panels	3
	Minimum required finished return, sides and top of cavity	102

* Assumes a door panel thickness of 19mm.