

# Heat Pump Dryer, 9kg, Steam Care

Series 9 | Heat pump

White



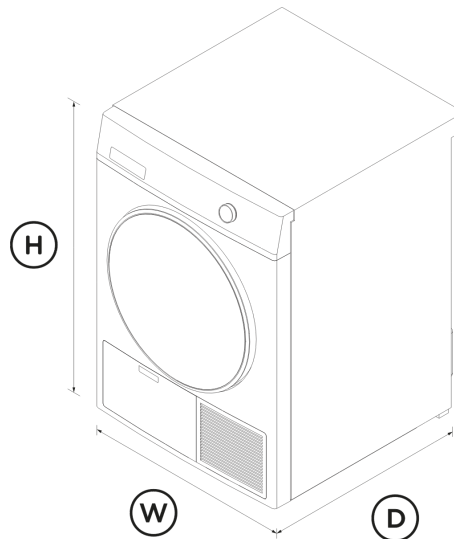
Better energy efficiency and fabric care with heat pump condensing technology, which quickly dries your clothes at a lower temperature.

- 23 fabric care cycles including Steam Freshen to quickly dewrinkle and deodorise your clothes
- TangleProtect technology reduces clothes tangling and ensures even drying
- Speed mode reduces drying times of cycles

- Class-leading 10-star energy rating

## DIMENSIONS

Height	850 mm
Width	600 mm
Depth	670 mm



## FEATURES & BENEFITS

### The Pinnacle Of Fabric Care

Intuitive controls with clever drying hints help you get the best results. The LCD display provides a simple interface to select from 23 dry cycles; including Steam Freshen, Hygiene, Activewear, Wool, Silk and Denim.

**Dewrinkle, Deodorise, Detangle**

Steam cycle is perfect for occasions where clothes have been worn once and need freshening up. An alternative to full-cycle washes, it removes odours without using detergent, and gently eases the creases out of clothes to save you precious time spent ironing.

### Customise Your Drying With Optimise Dry

For a focus on energy efficiency, dry with the default Optimise Dry Eco option. Choose Speed to shorten cycle times, while Quiet mode reduces cycle noise – perfect for late night laundry. Available on Everyday, Cottons, Towels and Heavy cycles.

### Tangleprotect Technology

TangleProtect technology pairs an advanced air circulation system with true reverse tumbling to reduce tangling and balling during the dry cycle – ensuring your clothes and sheets are dried consistently and evenly.

### Faster Dry Times

Speed mode utilises a variable speed compressor to deliver a faster drying time, closer to timings experienced with vented dryers.

### A Perfect 10

This dryer uses heat pump technology to gently and effectively dry clothes at low temperatures. With an outstanding 10-star energy rating, you can dry with confidence.

### Health And Hygiene

The Hygiene cycle provides extra protection for your clothes. The extra high dry temperature is designed to kill more than 99.9% of bacteria and reduce allergens, perfect for durables such as sheets and towels.

## SPECIFICATIONS

**Capacity**

Total capacity	<b>9 kg</b>	Ultra Delicate	•	<b>Performance</b>	
<hr/>		Wool	•	Auto sensing	•
<b>Consumption</b>		<hr/>		Compressor type	<b>Variable speed</b>
Energy rating	<b>10 star</b>	<b>Features</b>		Dryness settings	<b>5</b>
Energy usage	<b>105kWh/year</b>	Beeps on/off function	•	Heat pump technology	•
In-use energy carbon emissions estimate	<b>68.4kgCO2e/year</b>	Child/Keylock	•	Optimise Dry	<b>Speed, Eco, Quiet</b>
<hr/>		Clean condenser filter reminder	•	Reverse tumbling	•
<b>Dry Cycles</b>		Clean door lint filter reminder	•	Steam Care	•
Activewear	•	Damp dry signal	•	TangleProtect	•
Bulky	<b>true</b>	Drain hose	<b>included</b>	Time dry	<b>30,40,50... 150 mins</b>
Cool air	•	Drum light	•	<hr/>	
Cottons	•	Drying rack	•	<b>Product dimensions</b>	
Delicate	•	Easy access lint filter	•	Depth	<b>670 mm</b>
Denim	•	Easy clean condenser filter	•	Height	<b>850 mm</b>
Easy Iron	•	Eco mode	•	Width	<b>600 mm</b>
Everyday	•	End of cycle signal	•	<hr/>	
Heavy	•	Favourite mode	•	<b>Warranty</b>	
Hygiene	•	Hygiene cycle	•	Parts and labour	<b>2 years</b>
Number of cycles	<b>23</b>	No external venting	•	<hr/>	
Outdoor	•	Quiet mode	•	SKU	<b>93283</b>
Pre iron	•	Regular software updates	•	<hr/>	
Rack dry	•	Removable water tank	•	<p>The product dimensions and specifications in this page apply to the specific product and model. Under our policy of continuous improvement, these dimensions and specifications may change at any time. You should therefore check with Fisher &amp; Paykel's Customer Care Centre to ensure this page correctly describes the model currently available. © Fisher &amp; Paykel Appliances Ltd 2020</p>	
Sheets	•	Screen brightness settings	•		
Silk	•	SmartTouch™ control dial	•		
Sneakers	•	Speed mode	•		
Soft toys	•	Stainless steel drum	•		
Sports	•	Time to go	•		
Time dry	•	Wi-Fi capable	•		
Towels	•	Woolmark certified	•		
		Wrinkle free option	•		

Other product downloads available at [fisherpaykel.com](https://fisherpaykel.com)

- [↓](#) Energy Label
- [↓](#) Energy Label Heat Pump Dryer
- [↓](#) Service & Warranty
- [↓](#) Installation Guide
- [↓](#) User Guide

**Where applicable:**

All appliances use energy, and energy usage typically generates carbon emissions. **Fisher & Paykel Appliances' In-use Energy Carbon Emissions Estimate** indicates carbon emissions from a product's in-use energy. This is calculated either annually or per cycle, using the product's market-specific energy label energy consumption data multiplied by the carbon emissions factor for energy in your country or region.

Our In-use Energy Carbon Emissions Estimate is designed to assist customers in making informed purchasing decisions when comparing different Fisher & Paykel products. For example, a heat pump dryer typically has a lower In-use Energy Carbon Emissions Estimate than a vented dryer.



**A PEACE OF MIND SALE**  
24 Hours 7 Days a Week Customer Support  
T 1300 650 590 W [www.fisherpaykel.com](https://www.fisherpaykel.com)