

FISHER & PAYKEL

FREESTANDING COOKER

OR30SDI & OR30SCI Induction
& OR30SDE Glass Ceramic
models

INSTALLATION GUIDE

US CA

CONTENTS

Safety and warnings	3
Parts supplied for installation	5
Tools needed for installation (not supplied with the appliance)	5
Model identification	6
Prior to installation	6
Product dimensions	7
Clearance dimensions	8
Fitting the optional backguard	9
Location of electrical supply	9
Ventilation requirements	10
Fitting the adjustable feet	11
Moving the range	12
Installing the anti-tip bracket	13
Electrical connection	15
Final checklist	17

Installation

⚠ WARNING!



Electrical shock hazard
 Before carrying out any work on the electrical section of the appliance, it must be disconnected from the mains electricity supply. Connection to a good ground wiring system is absolutely essential and mandatory.
 Alterations to the domestic wiring system must only be made by a qualified electrician
 Failure to follow this advice may result in electrical shock or death.

⚠ WARNING!



Cut Hazard
 Take care - some edges are sharp.
 Failure to use caution could result in injury or cuts.

⚠ WARNING!



Tip-Over Hazard
 A child or adult can tip the range and be killed.

- Install anti-tip device to range and/or structure per installation instructions.
- Engage the range to the anti-tip device installed to the structure.
- Re-engage anti-tip device if range is moved.

Failure to follow these instructions can result in death or serious burns to children and adults.

IMPORTANT SAFETY INSTRUCTIONS!

- Save these instructions for the local inspectors use.
- To avoid hazard, follow these instructions carefully before installing or using this appliance.
- Please make this information available to the person installing the appliance - doing so could reduce your installation costs.
- This range is to be installed and connected to the electricity supply only by an authorized person.
- If the installation requires alterations to the domestic electrical system, call a qualified electrician. The electrician should also check that the socket cable section is suitable for the electricity drawn by the range.
- Service should only be done by authorized technicians. Technicians must disconnect the power supply before servicing this appliance.
- The range must be grounded.
- Installation must comply with your local building and electricity regulations.
- This appliance must be installed and connected to the mains power supply only by a suitably qualified person according to these installation instructions and in compliance with any applicable local building and electricity regulations.
- The manufacturer accepts no responsibility for the incorrect installation of appliances. Incorrect installation may result in personal injury, damage to property and may invalidate any warranty or liability claims
- Do not modify this appliance.
- Do not use or store flammable materials on or near this appliance
- If the power supply cable is damaged, it must be replaced by the manufacturer, its service agent or similarly qualified person in order to avoid a hazard.
- A circuit breaker is recommended.
- Do not use adaptors, reducers or branching devices to connect the oven to the mains electricity supply, as they can cause overheating and burning.
- Improper installation, adjustment alteration, service or maintenance can cause property damage, injury or death. Read the installation, operating and maintenance instructions thoroughly before using, installing or servicing this appliance.
- The appliance must not be installed behind a decorative door in order to avoid overheating.

IMPORTANT SAFETY INSTRUCTIONS!

- A risk of the appliance tipping over exists if the appliance is not installed in accordance with installation instructions.
- Check local building codes for the proper method of range installation. Local codes vary.
- Installation, electrical connections, and grounding must comply with all applicable codes.
- In the absence of local codes, the range should be installed in accordance with the latest edition of National Electrical Code ANSI/NFPA 70.
- In Canada: Electrical installation must be in accordance with the current CSA C22.1 Canadian Electrical Codes Part 1 and/or local codes.
- Some models are supplied with a protective film on steel and aluminum parts. This film must be removed before installing/using the appliance.
- Packing elements (eg plastic bags, polystyrene foam, staples, packing straps etc) and tools should not be left around during and after installation, especially if they are within easy reach of children, as these may cause serious injuries.
- Make sure you recycle the packaging material.
- Before disposing of any appliance, make sure that it can no longer be used and that all hazardous parts are removed or made harmless, so that children playing with the old appliance cannot harm themselves.

GENERAL INSTALLATION INFORMATION

Cleaning and servicing

- Service should only be performed by an authorized technician.
- Disconnect the electrical supply to the appliance before servicing.
- When removing appliance for cleaning and/or service:
 - Disconnect AC power supply.
 - Carefully remove the range by pulling outward.
 - The misuse of oven door (eg stepping, sitting, or leaning on them) can result in potential hazards and/or injuries.
 - When installing or removing the range for service, a rolling lift jack should be used. Do not push against any of the edges of the range in an attempt to slide it into or out of the installation. Pushing or pulling a range (rather than using a lift jack) also increases the possibility of bending the leg spindles or the internal coupling connectors.

IMPORTANT!

- **Range is heavy; use care in handling.**
- **Do not lift the range by the oven door handle or hob rail, or by lifting the cooktop trim as this may damage the appliance.**

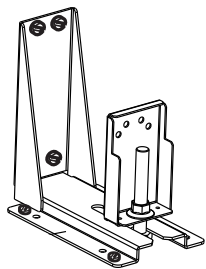
Replacement parts

Only authorized replacement parts may be used in performing service on the range. Replacement parts are available from factory authorized parts distributors. Contact the nearest parts distributor in your area.

IMPORTANT! SAVE THESE INSTRUCTIONS

The models shown in this installation guide may not be available in all markets and are subject to change at any time. For current details about model and specification availability in your country, please go to our website fisherpaykel.com or contact your local Fisher & Paykel dealer.

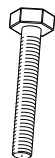
PARTS SUPPLIED FOR INSTALLATION



Anti-tip bracket (1)



Small screws and washers (2)



Bolt (1)



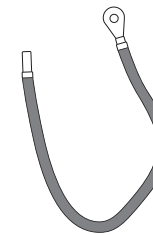
Threaded nuts (2)



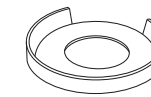
Wood screws (8)



Screws and plastic sleeve anchors (8)



Ground lead*
(3 wire permanent connection)



Cupped washer*
(4 wire permanent connection)

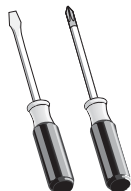
*Can be used in US only, for Canada it is mandatory to connect the range by using cordset with plug supplied.

TOOLS NEEDED FOR INSTALLATION (NOT SUPPLIED WITH THE APPLIANCE)

IMPORTANT!

THIS APPLIANCE MUST BE INSTALLED BY A QUALIFIED INSTALLER.

- Improper installation, adjustment, alteration, services, or maintenance can cause injury or property damage. Consult a qualified installer or the service agent.
- The use of suitable protective clothing/gloves is recommended when handling or installing this appliance.



Screwdriver



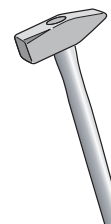
Pencil



Tape measure



Suitable protective gloves



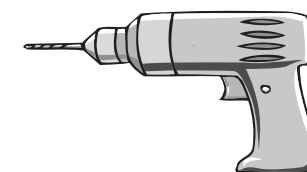
Hammer



Adjustable wrench



Adjustable pliers



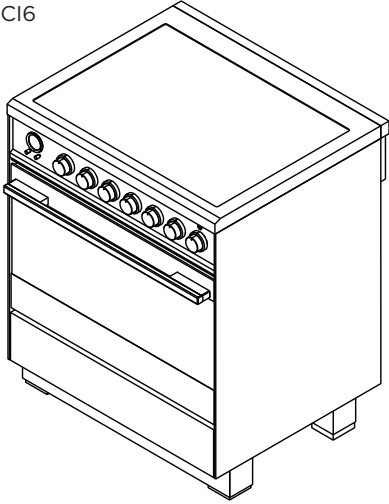
Drill

MODEL IDENTIFICATION

NOTE: Model features may vary

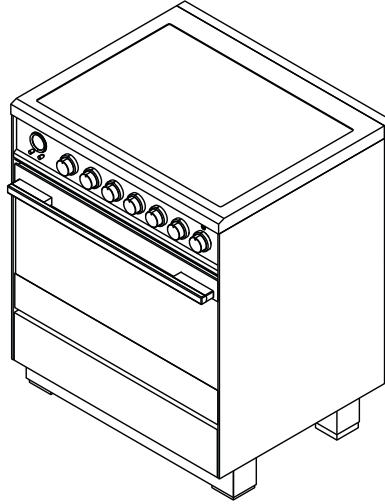
30" INDUCTION MODELS

OR30SDI6
OR30SCI6



30" CERAMIC MODELS

OR30SDE6



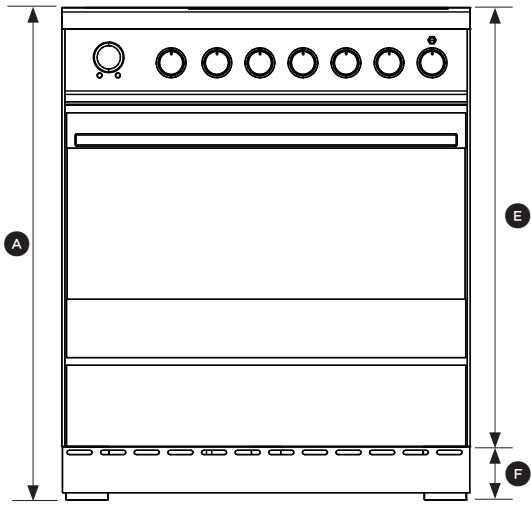
PRIOR TO INSTALLATION

Unpacking and handling

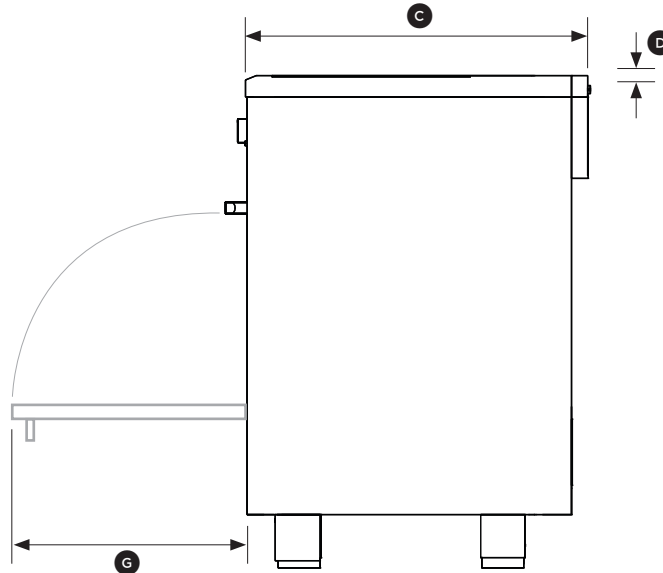
- Inspect the range to verify that there is no shipping damage. If any damage is detected, call the shipper and initiate a damage claim. Fisher & Paykel is not responsible for shipping damage.
- DO NOT discard any packing material until the range has been inspected.
- Remove the outer carton and any packing material from range. Some models are supplied with a protective film on steel and aluminum parts. This film must be removed before installing or using the appliance.

PRODUCT DIMENSIONS

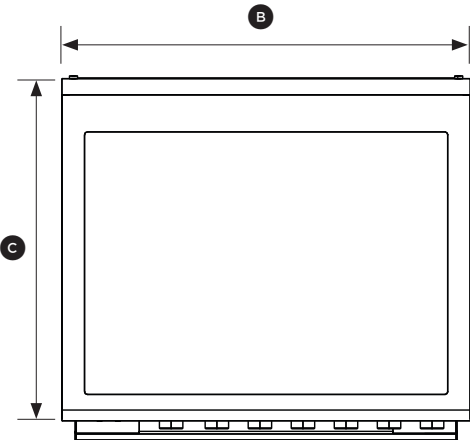
NOTE: Model features may vary
Optional kickstrip shown is available (purchased separately)



FRONT



SIDE

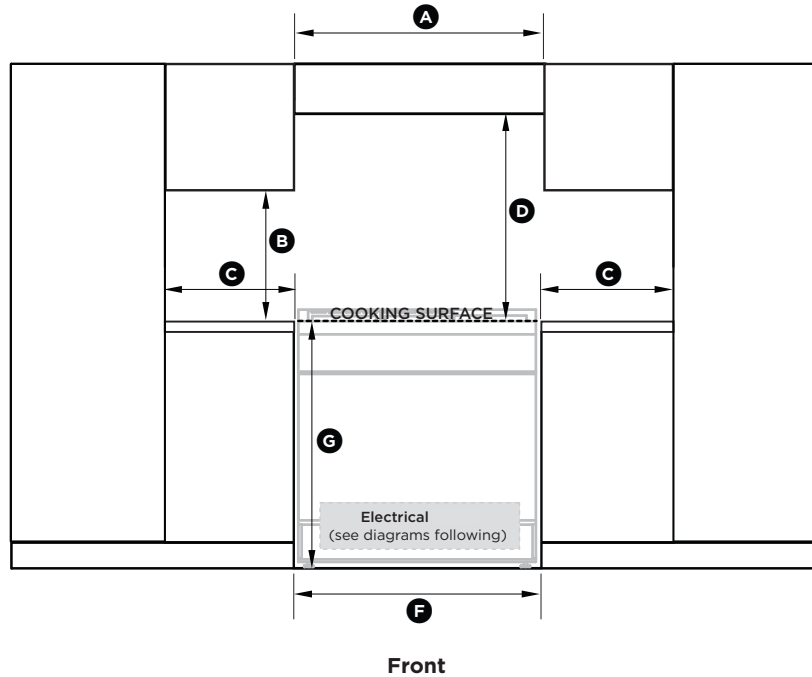
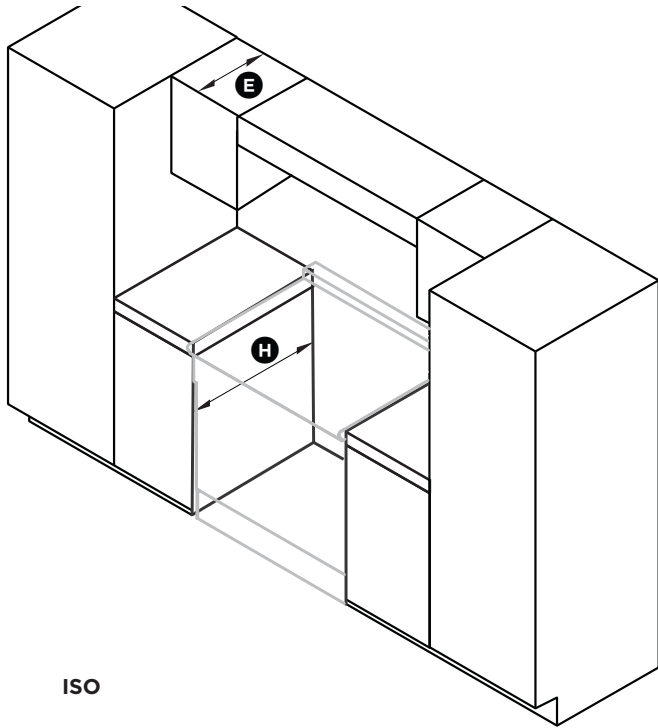


TOP

PRODUCT DIMENSIONS

PRODUCT DIMENSIONS	OR30SDI / OR30SCI	OR30SDE
	inches (mm)	inches (mm)
(A) Overall height of range (from floor to top of cooktop, excluding optional backguard)	min 35 3/4" (908) max 37 5/8" (956)	min 35 3/4" (908) max 37 5/8" (956)
(B) Overall width of range	29 7/8" (759)	29 7/8" (759)
(C) Overall depth of range (from front of range to rear of island trim/backguard, excluding handles and dials)	25 1/4" (641)	25 1/4" (641)
(D) Height from top of cooktop to top of - Island trim (fitted) - Backguard (optional)	Level with cooktop 3" (76)	Level with cooktop 3" (76)
(E) Height of chassis (excluding adjustable feet)	32 1/8" (816)	32 1/8" (816)
(F) Adjustable feet height	min 3 3/8" (85) max 5 1/4" (133)	min 3 3/8" (85) max 5 1/4" (133)
(G) Depth of open door to front of range	16 7/16" (417)	16 7/16" (417)

CLEARANCE DIMENSIONS



Note

#1 To eliminate the risk of burns or fire by reaching over heated surface units, cabinet storage space located above the surface units should be avoided. If cabinet storage is to be provided, the risk can be reduced by installing a rangehood that projects horizontally a minimum of 5" (127mm) beyond the bottom of the cabinets.

#2 **D**=30" (762mm) minimum clearance between the top of the cooking surface and the bottom of an unprotected wood or metal cabinet; or **D**=24" (610mm) minimum when bottom of wood or metal cabinet is protected by not less than 1/4"-thick flame retardant millboard covered with not less than No. 28 MSG sheet steel, 0.015"-thick stainless steel, 0.024"-thick aluminum, or 0.020"-thick copper.

Note

- This range may be installed directly adjacent to existing 36" (914mm) high base cabinets.
- If the range is to be placed adjacent to cabinets, the clearances shown are required. The same clearances apply to island installations.
- The range can be placed in various positions with respect to the cabinet front, with the control panel either flush or projecting, depending on the cabinetry depth.
- The electrical supply should be within the zones shown in the following diagrams.
- Any openings in the wall behind the range and in the floor under the range must be sealed.
- Always keep the appliance area clear and free from combustible materials, gasoline and other flammable vapors and liquids.
- Do not obstruct the flow of ventilation air to the unit.

CLEARANCE DIMENSIONS

	OR30SDI / OR30SCI	OR30SDE
	inches (mm)	inches (mm)
(A) Minimum width of ventilation hood installed above range	30" (762)	30" (762)
(B) Minimum vertical distance between countertop and cabinet extending above counter	18" (457)	18" (457)
(C) Minimum clearance from left and right edge of range to nearest vertical combustible surface	2" (50)	2" (50)
(D) Minimum clearance from cooking surface to: - Overhead cabinet centered above the cooktop (combustible/unprotected) - see notes #1, #2 - Overhead cabinet centered above the cooktop (non-combustible/protected) - see notes #1, #2 - Ventilation hood** centered above the cooking surface	30" (762) 24" (610) 24" (610)	30" (762) 24" (610) 24" (610)
(E) Maximum depth of overhead cabinetry	13" (330)	13" (330)
(F) Width of cabinetry opening	30" (762)	30" (762)
(G) Maximum height of cabinetry immediately adjacent to the range (from floor to countertop)*	37 1/2" (953)	37 1/2" (953)
(H) Maximum depth from wall to cabinetry face	25 1/4" (641)	25 1/4" (641)

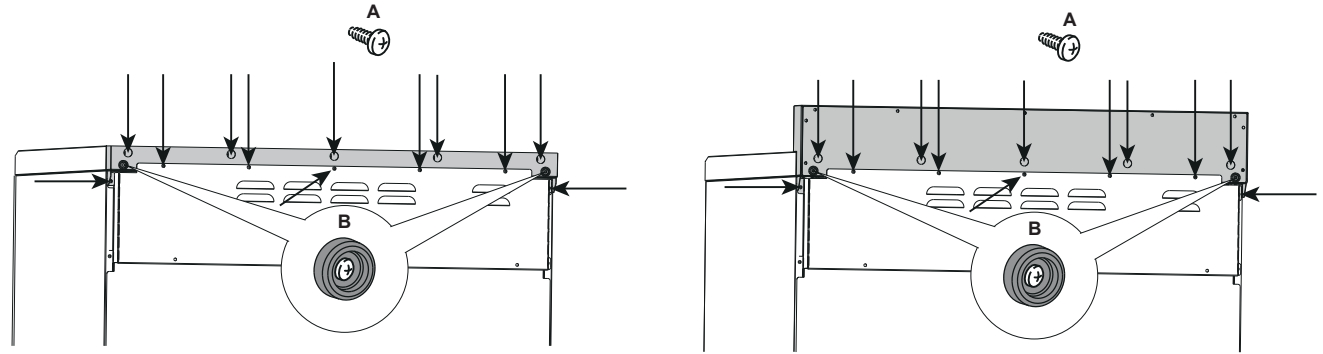
* Depending on the height of the feet adjustment. The cooking surface must sit flush or above countertop level.

** Refer to local/national codes for ventilation requirements.

FITTING THE OPTIONAL BACKGUARD

Island trim and backguard

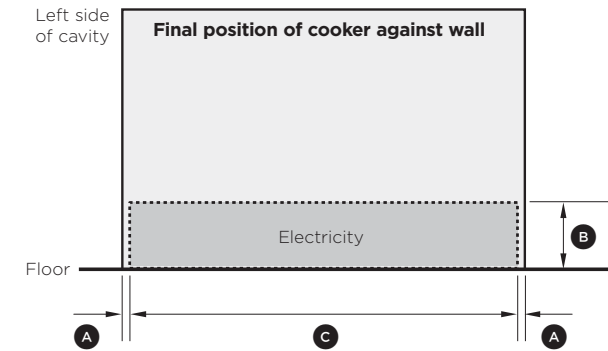
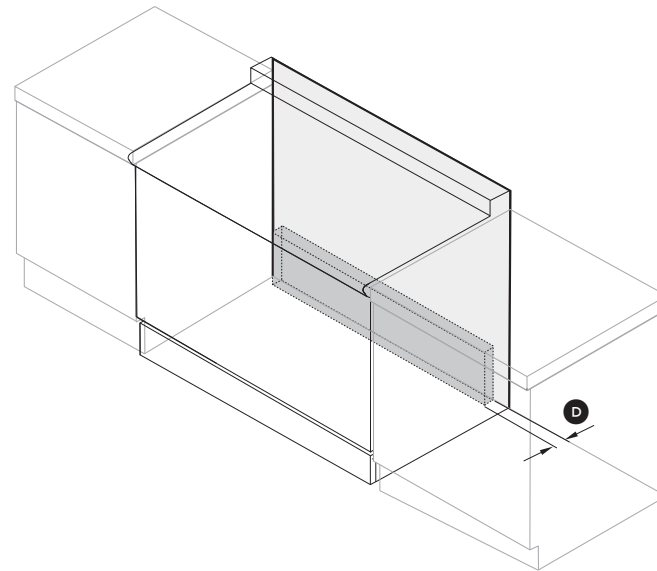
- It is mandatory to install and use the appliance with either the island trim or the optional backguard correctly in place.
- The island trim is already fitted to the appliance while the backguard can be purchased as a separate kit.
- If replacing the island trim with the backguard, assemble it by using the same screws/spacers used for fixing the island trim.



LOCATION OF ELECTRICAL SUPPLY

Grounded outlet

- The electric cord with 4-prong ground plug (NEMA 14-50P) shall have a minimum length of 48" (1220mm) beyond the back of the range.



SUPPLY AREA DIMENSIONS		inches (mm)
(A)	Distance from either edge of Range to supply area	3/16" (5)
(B)	Height of electrical supply area (from floor)	2 3/16" - 4 1/8" * (55-105)*
(C)	Width of electrical supply areas	29 1/2" (749)
(D)	Depth of supply area (ie maximum protrusion of electrical connection from wall)	3 15/16" (100)

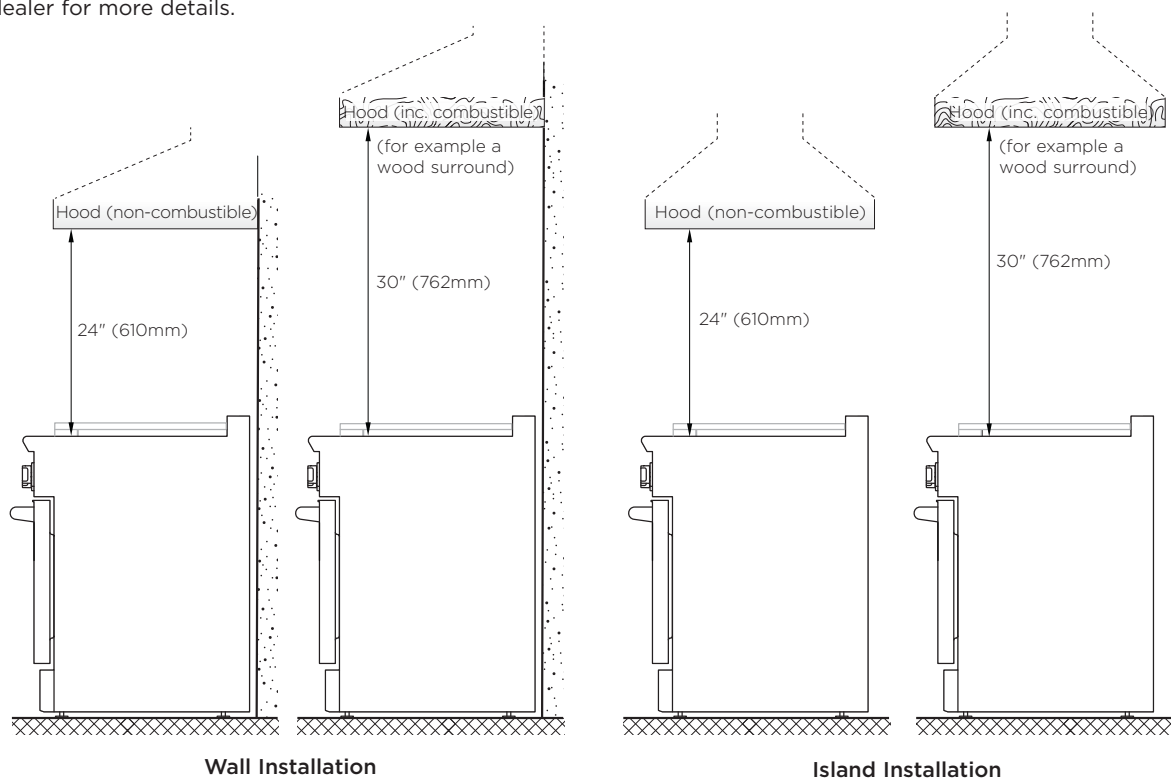
* Depending on adjustment of feet

VENTILATION REQUIREMENTS

A suitable ventilation hood may be installed above the range.

Fisher & Paykel has a choice of ventilation hoods designed to match the rest of our kitchen appliance family.

See fisherpaykel.com or your local dealer for more details.



IMPORTANT

- Consult local building codes and/or local agencies, before starting, to ensure that hood and duct installation will meet local requirements.
- Hood blower speeds should be variable to reduce noise and loss of heated or air conditioned household air when maximum ventilation is not required. Normally, the maximum blower speed is only required when grilling or using the self-cleaning cycle.
- If a custom hood canopy contains any **combustible materials** (eg a wood covering) it must be a minimum of 30" (762mm) above the cooking surface.
- Due to a high volume of ventilation air, a source of make-up air (outside replacement air) that complies with local codes and regulations is required.

FITTING THE ADJUSTABLE FEET

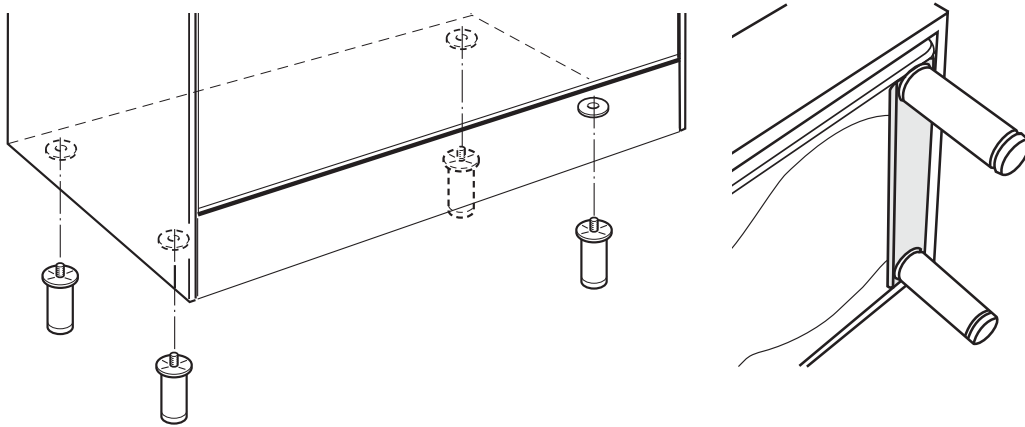
Fitting the adjustable feet

The adjustable feet must be fitted to the base of the range before use. Rest the rear of the range on a piece of the polystyrene packaging exposing the base for the fitting of the feet.

IMPORTANT

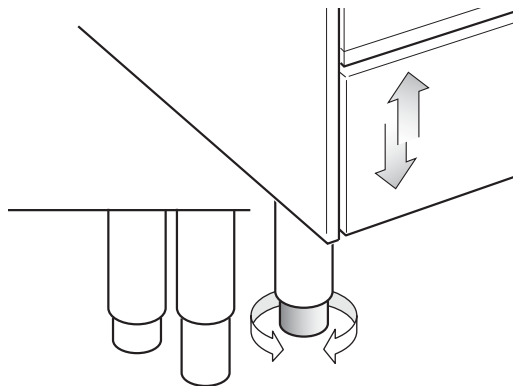
Take care not to damage the range during this operation.

Fit the four legs by screwing them tight into the support base as shown.



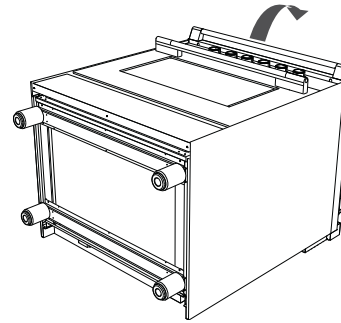
Levelling the range

- The range may be levelled by screwing the lower ends of the feet IN or OUT.
- Small adjustments may be made to the range in the upright position, however it may be necessary to tip the range again to make larger adjustments.

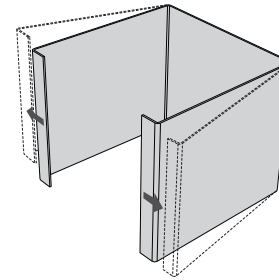


Fitting the adjustable feet covers (optional)

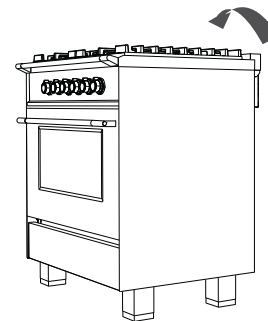
If using the adjustable feet covers fit these while the range is tipped over.



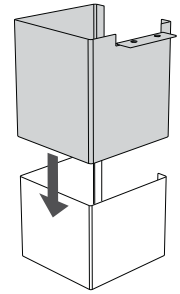
- ① Tip range onto its back to expose foot cover mounting hole locations.



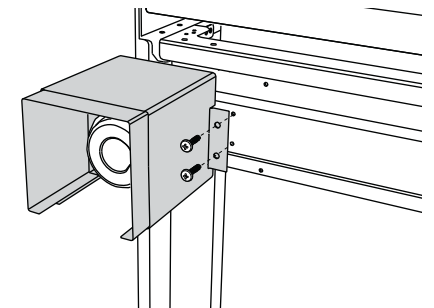
- ③ Note: gently bend the edges of the inner cover to adjust the tension between the two parts if needed.



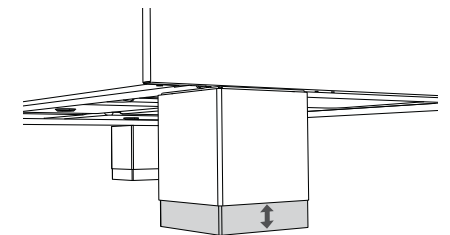
- ⑤ Stand range back upright.



- ② Assemble the feet covers by slotting the inner cover inside the outer cover.



- ④ Attach the feet covers to the base of the range using the supplied screws. Ensure that the mounting brackets are aligned with the mounting holes in the base of the range.

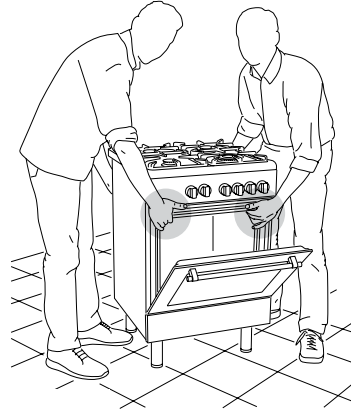


- ⑥ Adjust the inner panels of the foot covers to suit the height of the range feet as necessary.

MOVING THE RANGE

IMPORTANT!

- When raising the range to upright position always ensure two people carry out this manoeuvre to prevent damage to the adjustable feet.
- Be careful: do not lift the range by the oven door handle, the hob rail or the cooktop trim as this may damage the appliance.
- When moving range to its final position DO NOT DRAG. Lift feet clear of floor.



INSTALLING THE ANTI-TIP BRACKET

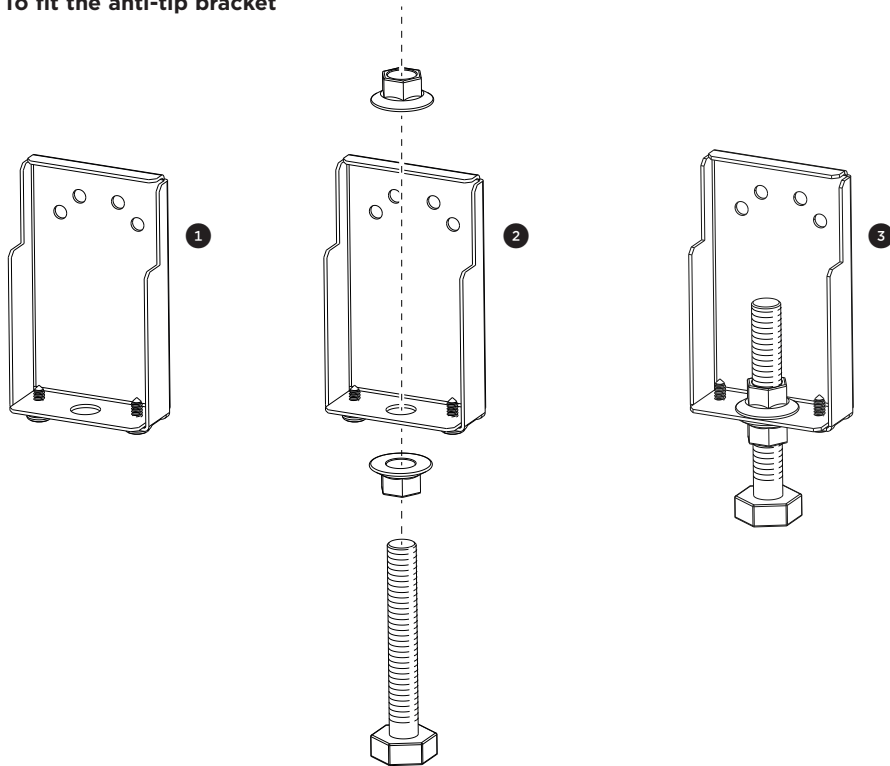
The anti-tip bracket has two components:

- the adjustable bracket
- the stability bracket

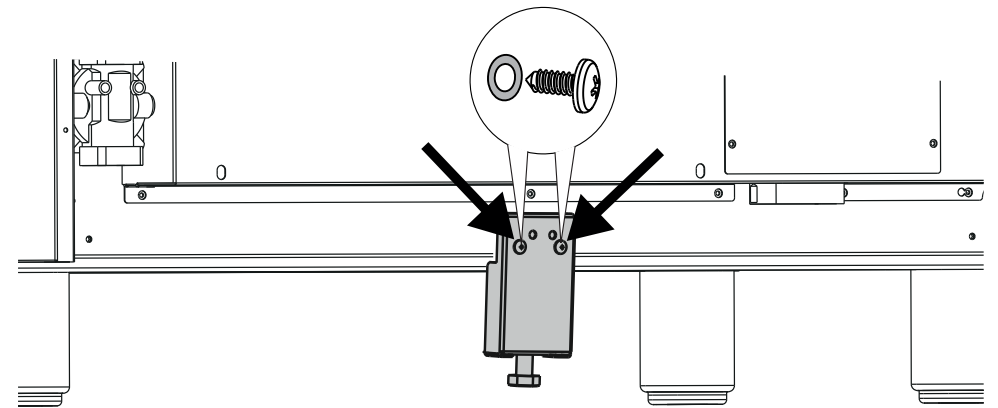
IMPORTANT!

You must install both parts of the anti-tip bracket and ensure they are properly fitted together to prevent the range from tipping.

To fit the anti-tip bracket



- ① Thread the bolt through the adjustable bracket and fix in place using the two supplied nuts. Ensure the nuts are well tightened.



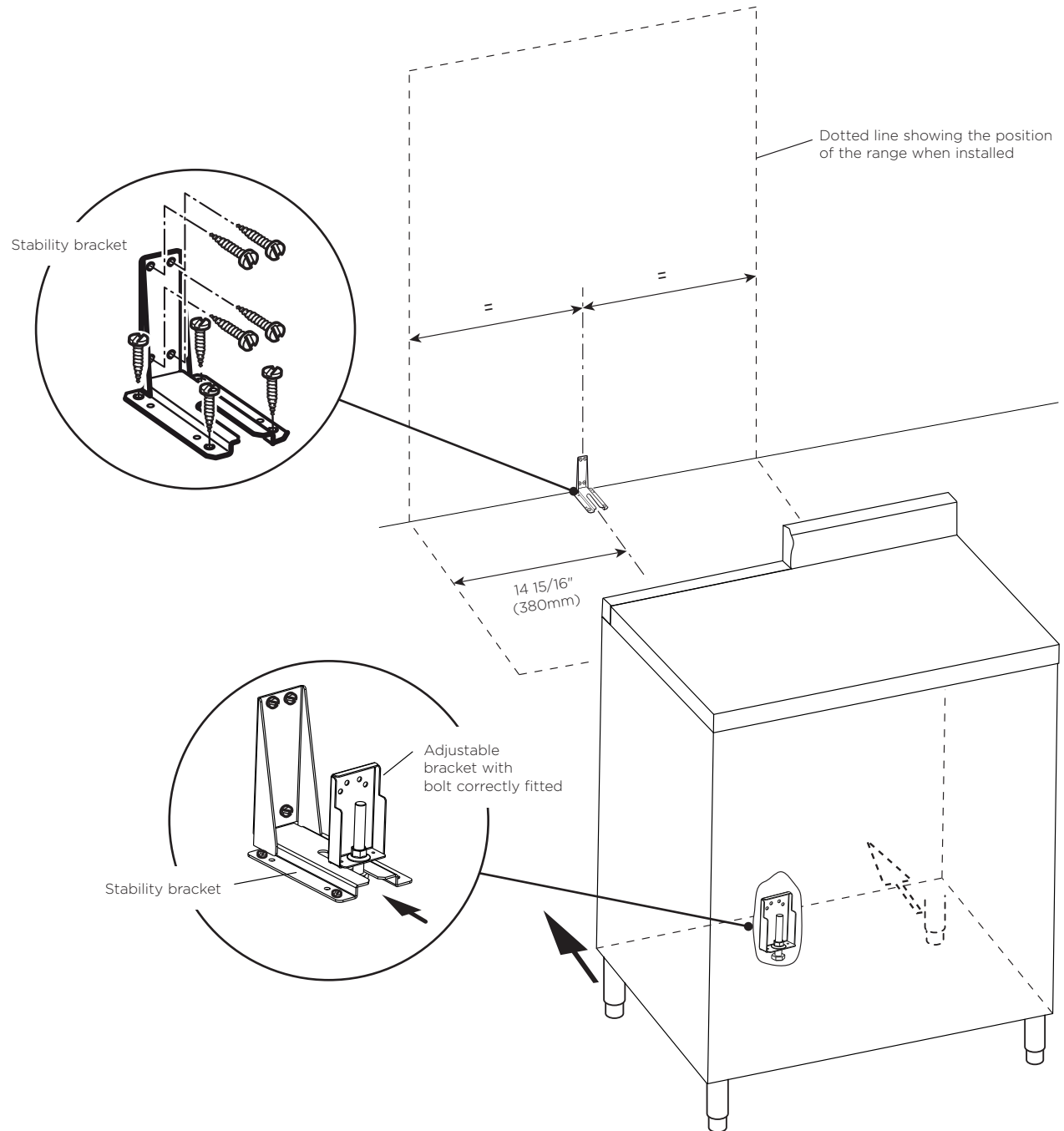
- ② Fix the adjustable bracket to the back of the range (centered on the lower edge) using the two supplied screws and washers.

INSTALLING THE ANTI-TIP BRACKET

- ③ Fix the stability bracket in place. It can be fixed as follows:
- To the floor OR on the rear wall by 4 screws (supplied).
 - To the floor AND on the rear wall by 8 screws (supplied).
 - There are 8 x wood screws and 8 x screws with plastic sleeve anchors supplied with the range in two separate kits. Use the proper screws according to the type of material on the floor and/or wall.
 - If using the plastic sleeve anchors: drill $5/16''$ (8mm) diameter holes and insert the supplied anchors before attaching the stability bracket with the screws.
- ④ Slide the range into place, ensuring the bolt on the adjustable bracket slots under the stability bracket.
- Adjust the length of the bolt as necessary. Ensure the two nuts are well tightened after any adjustments.

IMPORTANT!

- Use the proper screws to fix the stability bracket in place according to the type of material on the floor and/or wall.
- Before drilling and holes or inserting any screws into the floor or wall check that you will not damage any wiring or pipes.



ELECTRICAL CONNECTION

⚠ WARNING!



**Electrical Shock Hazard
Electricity ground range.
Failure to follow these
instructions can result in death,
fire, or electrical shock.**

⚠ WARNING! VERY IMPORTANT

**To avoid electrical shock
hazard, before installing the
appliance, switch power OFF
at the service panel and lock
the panel to prevent the
power from being switched
on accidentally.**

IMPORTANT!

This cooker must be connected to the electricity supply only by an authorised person.

Your cooker is supplied with a certified 4 prong NEMA 14-50P power cord for your protection against shock hazard and should be plugged directly into a properly grounded socket.

- Do not under any circumstances cut or remove the fourth (ground) prong from the power plug.
- Do not ground to a gas pipe.
- Do not have a fuse in the neutral or ground circuit.
- Do not use an extension cord.

Check with a qualified electrical installer if you are not sure if the range is properly grounded.

- If codes permit, and a separate ground wire is used, it is recommended that a qualified electrical technician determines the ground path and wire gauge are in accordance with local codes.

Be sure that the electrical connection and wire size are adequate and in conformance with:

- ANSI/NFPA 70 latest addition and local codes and ordinances.
- CSA standard C22.1, Canadian Electrical Code, Part 1 – latest edition and local codes and ordinances.

Replacing the power cord

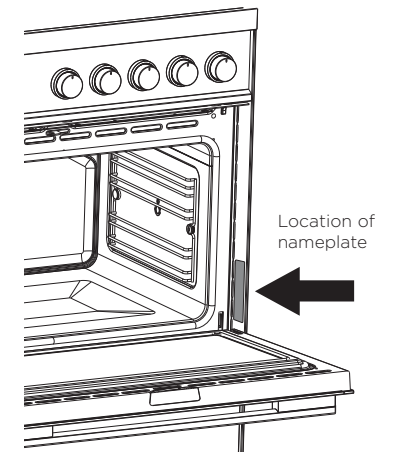
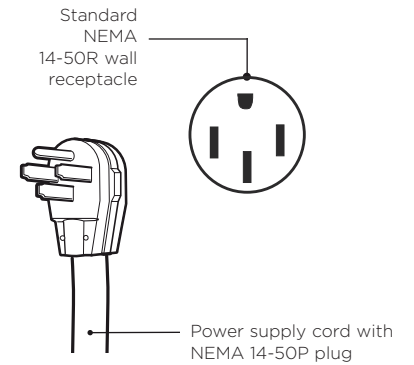
- Replacements should only be made by qualified electrical technicians.
- If replacing the power cord, use only a suitable UL or CSA approved one.
 - Tighten the power cord using the power cord strain relief bracket supplied with the appliance.
 - Allow enough slack to easily attach the cord terminals to the terminal block.

Induction models

VOLTAGE AND POWER CONSUMPTION	SERVICE
AC 120/208 V 60 Hz 11110 W MAX	40A
AC 120/240 V 60 Hz 12340 W MAX	40A
Induction power = 7400 W Max	

Ceramic models

VOLTAGE AND POWER CONSUMPTION	SERVICE
AC 120/208 V 60 Hz 8668 W MAX	50A
AC 120/240 V 60 Hz 11540 W MAX	50A

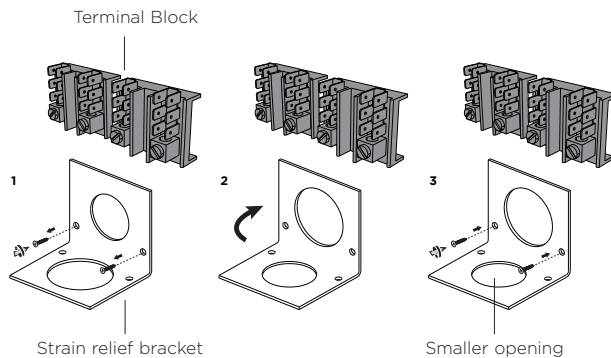


ELECTRICAL CONNECTION

PERMANENT CONNECTION (HARD WIRING)

US only, for Canada it is mandatory to connect the range by using cordset with plug supplied.

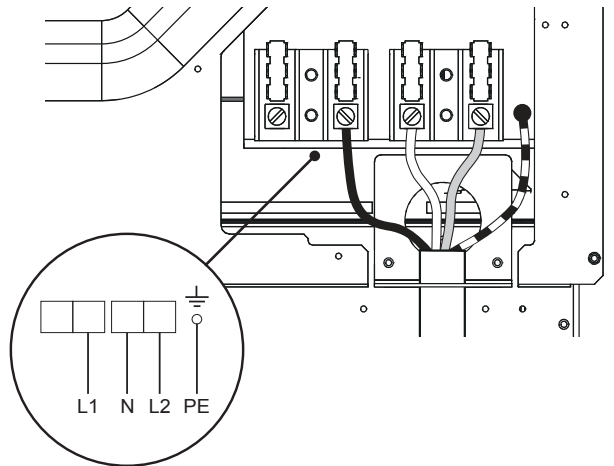
- Units may be hard wired to the power supply. The installer must provide approved flexible aluminium conduit, 3/4" (19mm) trade size, maximum 6ft (1.8m) long. Locate the terminal block on the rear of the unit and remove access cover.
- The strain relief bracket orientation must be switched in order to accommodate for a permanent wiring connection:
 - Remove the factory supplied power cord with plug.
 - Remove the 2 screws on the bracket.
 - Re-secure bracket with the 2 screws so that the 1 1/8" (29mm) smaller opening is facing down.



- The conduit must be installed to the terminal block using an approved conduit connector. The free end of the conduit must be connected to a junction box provided in the electrical supply zone.
- Mount a strain relief (not provided) into the 1 1/8" (29mm) diameter hole located below the terminal block. Wiring for the unit is to be brought into the terminal block through the conduit and through the strain relief provided. Make suitable connections to the terminal block provided.
- Installer — Show the owner the location of the circuit breaker. Mark it for easy reference.*

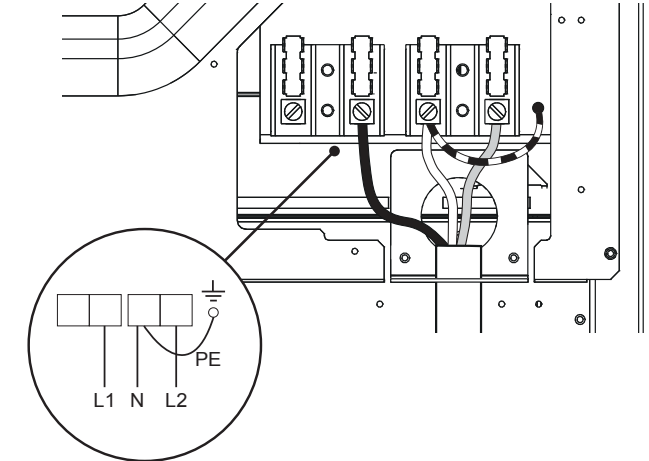
4-Wire Connection

- Loosen the L1 (black), L2 (red) and neutral (white) screws.
- Mount the conduit fitting to the 1 1/8" (29mm) hole in the strain relief bracket.
- Secure the neutral (white) power lead to the center terminal and tighten the screw.
- Secure the L1 (black) and the L2 (red) power leads to the terminals immediately to the left (L1) and right (L2) of the neutral terminal. Tighten the screws.
- Secure the Ground (green) lead to the green screw located to the right of the terminal block using the supplied cupped washer. The end of the grounding conductor must be retained by the cupped washer.
- Check all connections are securely tightened.
- Reinstall the Terminal Block cover.



3-Wire Connection (using supplied Ground lead)

- Loosen the L1 (black), L2 (red) and neutral (white) screws.
- Mount the conduit fitting to the 1 1/8" (29mm) hole in the strain relief bracket.
- Secure the supplied Ground (green) lead to the grounding screw to the right of the terminal block.
- Secure the Neutral (white) power lead together with the free end of the Ground (green) lead to the center terminal. Tighten the screw.
- Secure the L1 (black) and the L2 (red) power leads to the terminals immediately to the left (L1) and right (L2) of the neutral terminal. Tighten the screws.
- Check all connections are securely tightened.
- Reinstall the Terminal Block cover.



FINAL CHECKLIST

✓ **TO BE COMPLETED BY THE INSTALLER**

GENERAL

- Placement of unit.
- Specified clearance maintained to cabinet surfaces.
- Unit Level - front to back, side to side.
- All packaging material and tie straps removed.
- Island trim or optional backguard correctly attached.
- The anti-tip bracket is correctly installed.

ELECTRICAL

- Adequate ground connection.

OPERATION

- All internal packing materials removed. Check inside the oven.
- Dials turn correctly and freely.
- Oven and cooktop displays are functioning correctly and oven and cooking zones can be turned on.
- Oven door hinges seated and door opens and closes properly.

Complete and keep for safe reference:

Model _____

Serial No. _____

Purchase Date _____

Purchaser _____

Dealer Address _____

Installer's Name _____

Installer's Signature _____

Installation Company _____

Installation Date _____

FISHERPAYKEL.COM

© Fisher & Paykel Appliances 2024. All rights reserved.

The models shown in this guide may not be available in all markets
and are subject to change at any time.

The product specifications in this guide apply to the specific products and
models described at the date of issue. Under our policy of continuous product
improvement, these specifications may change at any time.

For current details about model and specification availability in your country,
please go to our website or contact your local Fisher & Paykel dealer.

591507F 06.24