

Integrated Dishwasher, 24"

Series 5 | Integrated

Panel Ready

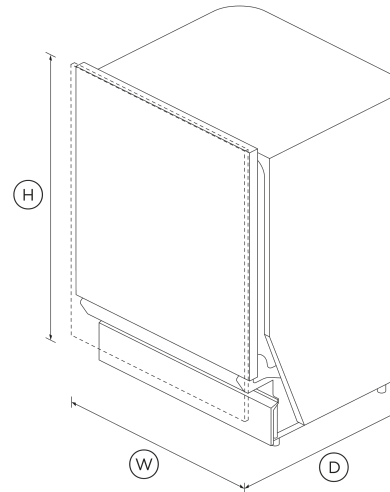


Offering a superior wash performance, this Dishwasher is panel ready and designed to be integrated into your kitchen for a seamless look.

- Customize with your own front panel and handle to match your kitchen cabinetry
- Six wash programs to suit any load, from Delicate to Heavy
- Auto option senses the optimum wash cycle for your dishes

DIMENSIONS

Height	32 5/16 - 36 1/2 "
Width	23 3/4 "
Depth	22 3/4 "



FEATURES & BENEFITS

Sized To Suit

Install this fully integrated dishwasher to tall (American size) or short (Euro/ADA size) counter heights, ensuring minimal gaps. Customize with a front panel to match kitchen cabinetry.

A Quality Wash

This dishwasher offers six wash programs including Auto, which automatically senses the optimal wash cycle for your dishes. A three stage filtration system delivers a superior clean, while the rinse aid indicator reminds you to top up for squeaky-clean dishes.

Flexible Stacking

Flexible, adjustable storage lets you stack even large items with ease. This model features a removable cutlery tray, height adjustable middle rack, cup holders and wine glass supports.

Quiet And Reliable

Running at a very low decibel level, this dishwasher does its job without making a fuss. The combination of clever technology and simple mechanics offers greater reliability and superior wash performance.

SPECIFICATIONS

Accessories (included)

Kickstrip	true
-----------	------

Accessories (sold separately)

Door panel stainless steel	AD-DW ADA
Handle kit Classic	AHCL-DDD-24X
Handle kit Contemporary round, aluminium	AHS-OBDD-60S
Handle kit Contemporary square fine, aluminium	AHD5-OBDD-60SX
Handle kit Contemporary square fine, black	AHD5-OBDD-60SB
Handle kit Contemporary square, aluminium	AHD3-OBDD-60S
Handle kit Professional round flush	AHP3-DWDD-SX

Capacity and loading

Accommodates round plates up to	10 1/4"
Fold down tines	•
Height adjustable top basket	•
Place settings	12
Place settings	12

Wine glass supports •

Consumption

Energy usage **232kWh/year**
 In-use energy carbon emissions estimate **28.6kgCO2e/year**
 Water usage (per wash cycle) **3.4 gal**

Controls

End of cycle beeps •
 Energy saving delay start option of up to 12 hours •
 Keylock •
 Rinse aid indicator light •

Features

Quiet operation •
 ThermoDry system •
 Three-stage filtration system •
 Variable wash pressure technology •

Performance

Noise emissions **48 dBA**

Power requirements

Amperage **10A**
 Supply frequency **50Hz**
 Supply voltage **220 - 240V**

Product dimensions

Depth **22 3/4 "**
 Height **32 5/16 - 36 1/2 "**
 Width **23 3/4 "**

Safety and compliance

ADA compliant •

Warranty

Parts and labor **2 years**

Wash Programs

Auto •
 Eco •
 Fast •
 Heavy •
 Medium •
 Rinse •
 Wash programs **6**

Water connection

Water pressure **100kPa - 1000kPa**

SKU **81871**

The product dimensions and specifications in this page apply to the specific product and model. Under our policy of continuous improvement, these dimensions and specifications may change at any time. You should therefore check with Fisher & Paykel's Customer Care Centre to ensure this page correctly describes the model currently available. © Fisher & Paykel Appliances Ltd 2020

Other product downloads available at fisherpaykel.com

- [↓ Energy Label](#)
- [↓ Energy Label Integrated Dishwasher](#)
- [↓ Service & Warranty](#)
- [↓ Installation Guide EN](#)
- [↓ Guide d'installation FR](#)
- [↓ Quick Start Guide](#)
- [↓ Guide De Démarrage Rapide FR](#)
- [↓ User Guide EN](#)
- [↓ Guide d'utilisation FR](#)

Where applicable:

All appliances use energy, and energy usage typically generates carbon emissions. **Fisher & Paykel Appliances' In-use Energy Carbon Emissions Estimate** indicates carbon emissions from a product's in-use energy. This is calculated either annually or per cycle, using the product's market-specific energy label energy consumption data multiplied by the carbon emissions factor for energy in your country or region.

Our In-use Energy Carbon Emissions Estimate is designed to assist customers in making informed purchasing decisions when comparing different Fisher & Paykel products. For example, a heat pump dryer typically has a lower In-use Energy Carbon Emissions Estimate than a vented dryer.



A PEACE OF MIND SALE

24 Hours 7 Days a Week Customer Support

T 1.888.936.7872 W www.fisherpaykel.com