

569L Series 7 French Door Refrigerator Freezer

Series 7 | Contemporary

Stainless Steel | French hinge

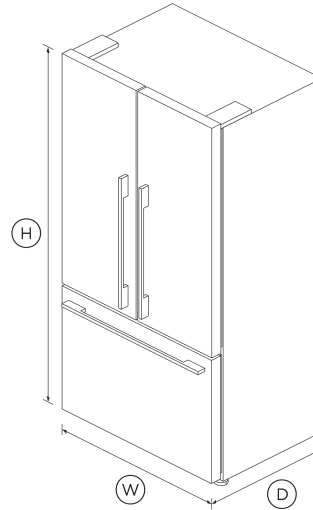


Our largest capacity French Door model has intuitive, flexible storage space, with a stylish stainless steel finish.

- ActiveSmart™ technology helps keep food fresher for longer by constantly maintaining the ideal temperature.
- Spacious bottom freezer with full extension drawer gives easy access to frozen goods.

DIMENSIONS

| | |
|--------|---------|
| Height | 1790 mm |
| Width | 900 mm |
| Depth | 695 mm |



FEATURES & BENEFITS

ACTIVESMART™ FOODCARE

ActiveSmart™ Foodcare learns how you live. It's the technology that understands how you use your fridge and adjusts the temperature, airflow and humidity inside to help keep food fresher for longer.

Humidity Control

Your fruit and veges need different environments. The humidity control slides in each storage bin create a microclimate that helps keep food fresher for longer.

Easy Cleaning

Spill-safe secure glass shelves easily capture any drips or leaks and prevent them from falling on items below.

Clever Energy

Your fridge adapts to daily use by cooling and defrosting only when needed. This means your fridge uses the energy it needs without compromising on food care.

SIMPLE STORAGE

This fridge is designed to make it simple for you to store, access and remove food. Storage bins give you full access inside when they're pulled open and can be easily removed to clean. Our flexible shelving also gives you more storage options.

SPECIFICATIONS

Capacity

| | |
|----------------------|-------|
| Total gross capacity | 614 L |
| Volume | 569 L |
| Volume freezer | 152 L |
| Volume refrigerator | 417 L |

Consumption

| | |
|---|-----------------|
| Energy rating | 3.5 star |
| Energy usage | 448kWh/year |
| In-use energy carbon emissions estimate | 60.7kgCO2e/year |

Features

| | |
|------------------------------------|---|
| Adjustable glass shelves | 2 |
| Adjustable half width door shelves | 4 |
| Covered door shelves | 2 |

| | | | |
|--------------------------|---|-----------------------------------|---------|
| Deli storage bins | 2 | Depth | 695 mm |
| Door alarm | • | Depth (including handles) | 735 mm |
| Front levelling feet | • | Height | 1790 mm |
| Fruit and vegetable bins | 2 | Height to top of cabinet | 1790 mm |
| Full extension runners | • | Minimum air clearance - each side | 20 mm |
| Full width door shelves | 2 | Minimum air clearance - on top | 50 mm |
| LED lighting | • | Width | 900 mm |
| Rear rollers | • | | |
| Single bottle holders | 4 | | |
| SmartTouch control panel | • | | |

Warranty

| | |
|--------------------------|---------|
| Parts and labour | 2 years |
| Sealed system parts only | 5 years |

| | |
|-----|-------|
| SKU | 26504 |
|-----|-------|

The product dimensions and specifications in this page apply to the specific product and model. Under our policy of continuous improvement, these dimensions and specifications may change at any time. You should therefore check with Fisher & Paykel's Customer Care Centre to ensure this page correctly describes the model currently available. © Fisher & Paykel Appliances Ltd 2020

Other product downloads available at fisherpaykel.com

- [↓](#) Energy Label Freestanding French Door Refrigerator Freezer
- [↓](#) Service & Warranty
- [↓](#) Installation Guide
- [↓](#) Installation Guide - Surround Kit
- [↓](#) User Guide
- [↓](#) User & Installation Guide ActiveSmart Refrigerator

Where applicable:

All appliances use energy, and energy usage typically generates carbon emissions. **Fisher & Paykel Appliances' In-use Energy Carbon Emissions Estimate** indicates carbon emissions from a product's in-use energy. This is calculated either annually or per cycle, using the product's market-specific energy label energy consumption data multiplied by the carbon emissions factor for energy in your country or region.

Our In-use Energy Carbon Emissions Estimate is designed to assist customers in making informed purchasing decisions when comparing different Fisher & Paykel products. For example, a heat pump dryer typically has a lower In-use Energy Carbon Emissions Estimate than a vented dryer.



A PEACE OF MIND SALE
24 Hours 7 Days a Week Customer Support
 T 0800 372 273 W www.fisherpaykel.com

Freezer Features

| | |
|--------------|---|
| Bottle chill | • |
| Fast freeze | • |
| Freezer bins | 3 |
| Ice trays | 1 |

Performance

| | |
|--------------------------------|---|
| ActiveSmart™ Foodcare | • |
| Adaptive defrost | • |
| Frost free | • |
| Frost free freezer | • |
| Humidity control system | • |
| Inverter controlled compressor | • |
| R600a refrigerant | • |
| Sabbath mode | • |

Product dimensions